

Table of Contents

6.1 Introduction	6.1-1
6.2 Symbol	6.2-1
6.3 Circuit Fault Diagnosis	6.3-1
Diagnostic Procedure	6.3-1
6.4.1 Electronic Stability Control System	6.4.1-1
Electronic Stability Control System (for MT LEV1, MT LEV2 Models)	6.4.1-1
Electronic Stability Control System (for MT LEV3 Model)	6.4.1-2
Electronic Stability Control System (for AT LEV2, AT LEV3 Models)	6.4.1-3
6.4.2 Electronic Assist Steering	6.4.2-1
Electronic Assist Steering	6.4.2-1
6.4.3 Cooling System	6.4.3-1
Cooling System	6.4.3-1
6.4.4 Fuel System	6.4.4-1
Fuel System	6.4.4-1
6.4.5 Ignition System	6.4.5-1
Ignition System	6.4.5-1
6.4.6 Starting System	6.4.6-1
Starting System - AT	6.4.6-1
Starting System - MT	6.4.6-2
6.4.7 Charging System	6.4.7-1
Charging System	6.4.7-1
6.4.8 Electronic Control System	6.4.8-1
Electronic Control System - 1	6.4.8-1
Electronic Control System - 2	6.4.8-2
Power Supply	6.4.8-3
Oxygen Sensor	6.4.8-4
Control Valve/Accelerator Pedal/Constant Speed Cruise	6.4.8-5
Neutral Sensor/Clutch Top Switch/Knock Sensor/Fuel Pressure Sensor/ High Pressure Oil Pump/Camshaft Phase Sensor	6.4.8-6
Electronic Throttle Valve/Crankshaft Position Sensor/Brake Vacuum Sensor/ Coolant Temperature Sensor/Air Intake Temperature/Pressure Sensor	6.4.8-7
6.4.9 Automatic Transmission	6.4.9-1
Automatic Transmission	6.4.9-1
6.4.10 Heating, Ventilation and Air Conditioning	6.4.10-1
Heating, Ventilation and Air Conditioning	6.4.10-1
Power Supply/Blower/Pressure Switch/Speed Regulation Module	6.4.10-2
Compressor	6.4.10-3

Table of Contents

Actuator/Temperature Sensor/Sunlight Sensor	6.4.10-4
6.4.11 Airbag Restraint System	6.4.11-1
Airbag Restraint System	6.4.11-1
Power Supply/Actuator	6.4.11-2
Sensor/Switch	6.4.11-3
6.4.12 Instrument Cluster	6.4.12-1
Instrument Cluster	6.4.12-1
6.4.13 Horn	6.4.13-1
Horn	6.4.13-1
6.4.14 Cigarette Lighter & On-board Power Supply	6.4.14-1
On-board Power Supply	6.4.14-1
6.4.15 Information and Entertainment System	6.4.15-1
Information and Entertainment System	6.4.15-1
Power Supply/Multi-functional Switch/Microphone/Antenna	6.4.15-2
Drive Recorder	6.4.15-3
Speaker	6.4.15-4
Rearview Monitor	6.4.15-5
6.4.16 Lighting System	6.4.16-1
Lighting System (for LEV2, LEV3 Models)	6.4.16-1
Lighting System (for MT LEV1 Model)	6.4.16-3
Headlamp (for LEV2, LEV3 Models)	6.4.16-5
Headlamp (for MT LEV1 Model)	6.4.16-6
Position Lamp (for LEV2, LEV3 Models)	6.4.16-7
Position Lamp (for MT LEV1 Model)	6.4.16-9
Turn Lamp (for LEV2, LEV3 Models)	6.4.16-11
Turn Lamp (for MT LEV1 Model)	6.4.16-12
Fog Lamp (for LEV2, LEV3 Models)	6.4.16-13
Fog Lamp (for MT LEV1 Model)	6.4.16-14
Brake Lamp (for LEV2, LEV3 Models)	6.4.16-15
Brake Lamp (for MT LEV1 Model)	6.4.16-16
Backup Lamp (for LEV2, LEV3 Models)	6.4.16-17
Backup Lamp (for MT LEV1 Model)	6.4.16-18
Daytime Running Lamp	6.4.16-19
Indoor Lamp (for LEV2, LEV3 Models)	6.4.16-20
Indoor Lamp (for MT LEV1 Model)	6.4.16-21
6.4.17 Wiper and Washer	6.4.17-1
Wiper (for LEV2, LEV3 Models)	6.4.17-1
Wiper (for MT LEV1 Model)	6.4.17-2
Front Wiper (for LEV2, LEV3 Models)	6.4.17-3

Table of Contents

Rear Wiper (for LEV2, LEV3 Models)	6.4.17-4
Front Wiper (for MT LEV1 Model)	6.4.17-5
Rear Wiper (for MT LEV1 Model)	6.4.17-6
6.4.18 Power Rearview Mirror	6.4.18-1
Power Rearview Mirror	6.4.18-1
6.4.19 Central Door Lock and Body Theft Deterrent System	6.4.19-1
Central Door Lock and Body Theft Deterrent System (for LEV2, LEV3 Models)	6.4.19-1
Central Door Lock and Body Theft Deterrent System (for MT LEV1 Model)	6.4.19-2
Switch Signal (for LEV2, LEV3 Models)	6.4.19-3
Actuator (for LEV2, LEV3 Models)	6.4.19-4
Switch Signal (for MT LEV1 Model)	6.4.19-5
Actuator (for MT LEV1 Model)	6.4.19-6
Key Reminder Switch (for MT LEV1 Model)	6.4.19-7
6.4.20 Power Window	6.4.20-1
Power Window (for MT LEV3, AT LEV3 Models)	6.4.20-1
Power Window (for MT LEV2, AT LEV2 Models)	6.4.20-2
Power Window (for MT LEV1 Model)	6.4.20-3
Left Front Door Window (Anti-Pinch) (for MT LEV3, AT LEV3 Models)	6.4.20-4
Left Rear Door Window (for MT LEV3, AT LEV3 Models)	6.4.20-5
Right Front/Right Rear Door Window (for MT LEV3, AT LEV3 Models)	6.4.20-6
Left Front Door Window (Non Anti-Pinch) (for MT LEV2, AT LEV2 Models)	6.4.20-7
Left Rear Door Window (for MT LEV2, AT LEV2 Models)	6.4.20-8
Right Front/Right Rear Door Window (for MT LEV2, AT LEV2 Models)	6.4.20-9
Left Front Door Window (Non Anti-Pinch) (for MT LEV1 Model)	6.4.20-10
Left Rear Door Window (for MT LEV1 Model)	6.4.20-11
Right Front/Right Rear Door Window (for MT LEV1 Model)	6.4.20-12
6.4.21 Defroster	6.4.21-1
Defroster	6.4.21-1
6.4.22 Sunroof	6.4.22-1
Sunroof	6.4.22-1
6.4.23 Parking Assist System	6.4.23-1
Parking Assist System (for LEV2, LEV3 Models)	6.4.23-1
Parking Assist System (for MT LEV1 Model)	6.4.23-2
6.4.24 Body Control System	6.4.24-1
Body Control System (for LEV2, LEV3 Models)	6.4.24-1
Body Control System (for MT LEV1 Model)	6.4.24-2
6.4.25 On-board Network System	6.4.25-1
On-board Network System	6.4.25-1

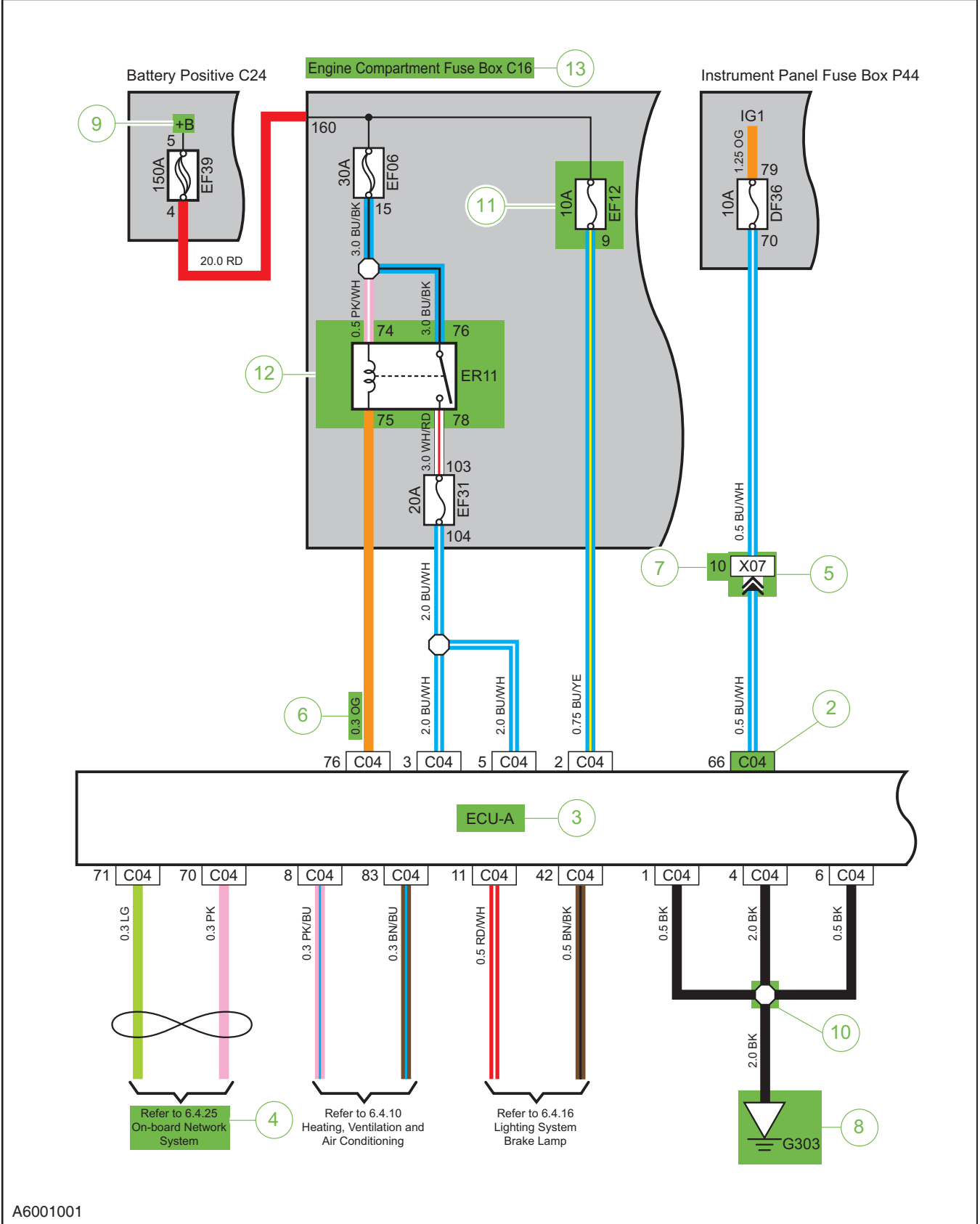
Table of Contents

6.4.26 Keyless Entry Control System	6.4.26-1
Keyless Entry Control System	6.4.26-1
Power Supply	6.4.26-2
Start Switch	6.4.26-3
Antenna	6.4.26-4
6.4.27 Electronic Steering Lock System	6.4.27-1
Electronic Steering Lock	6.4.27-1
6.4.28 Electronic Parking Brake System	6.4.28-1
Electronic Parking Brake System (for AT LEV2, AT LEV3 Models)	6.4.28-1
Electronic Parking Brake System (for MT LEV3 Model)	6.4.28-2
AUTOHOLD and EPB Switch (for AT LEV2, AT LEV3 Models)	6.4.28-3
Electronic Parking Brake Actuator Motor (for AT LEV2, AT LEV3 Models)	6.4.28-4
AUTOHOLD and EPB Switch (for MT LEV3 Model)	6.4.28-5
Electronic Parking Brake Actuator Motor/Clutch Stroke Sensor (for MT LEV3 Model)	6.4.28-6
6.4.29 Tire Pressure Monitoring	6.4.29-1
Tire Pressure Monitoring	6.4.29-1
6.4.30 Self-adaptive Cruise	6.4.30-1
Self-adaptive Cruise (for AT LEV3 Model)	6.4.30-1
6.5 Fuses and Relays	6.5-1
Battery Positive	6.5-1
Engine Compartment Fuse Box	6.5-2
Engine Compartment Sub Fuse Box	6.5-5
Instrument Panel Fuse Box	6.5-6
6.6 Power Supply Distribution	6.6-1
Power Supply Distribution - 1	6.6-1
Power Supply Distribution - 2	6.6-2
Power Supply Distribution - 3	6.6-3
Power Supply Distribution - 4	6.6-4
Power Supply Distribution - 5	6.6-5
Power Supply Distribution - 6	6.6-6
Power Supply Distribution - 7	6.6-7
Power Supply Distribution - 8	6.6-8
6.7 Fuse Details	6.7-1
EF01 EF08 EF37 EF38 EF39 ER20 ER21	6.7-1
EF03 EF21 EF22 ER22	6.7-2
EF18 ER25 ER26	6.7-3
EF06 EF28 EF29 EF31 ER11	6.7-4
EF09 EF26 EF30 SB03 SB05 SB10 ER01 ER04 ER07 ER09 ER10 ER14	6.7-5

Table of Contents

SB06 SB07 SB08 EF27 ER06 ER08 ER12	6.7-6
EF23 EF24 EF25 ER13 ER16 ER17	6.7-7
EF24 EF25 EF33 EF34 ER13 ER16	6.7-8
SB13 SB14 EF35 EF36	6.7-9
EF07 EF10 EF11 EF12 ER18 ER19	6.7-10
SB01 SB04 EF14 EF15 ER03 ER15	6.7-11
SB02 SB09 DF01 DF16 DF17 DF18 DF20 DF21 DF45 DF46	6.7-12
DF02 DF03 DF04 DF06 DF07 DF08 DF09 DF44 DF47	6.7-13
DF22 DF23 DF24 DF25 DF26	6.7-14
DF26 DF37 DF38 DF41 DF42 DF43 DF51 DF52	6.7-15
6.8 Grounding Distribution	6.8-1
G301G303 G304 G305 G306 G1401	6.8-1
G302 G307 G308	6.8-2
G101 G102 G103 GD106 G1902	6.8-3
G104 G105 G106	6.8-4
G201 G401	6.8-5
G202 G203 G204 G205 G207	6.8-6
G206 G208 G210	6.8-7
6.9 Wiring Harness Connector Location View	6.9-1
Wiring Harness to Wiring Harness (X--)	6.9-1
Engine Compartment Wiring Harness Connector (C--)	6.9-14
Instrument Panel Wiring Harness Connector (P--)	6.9-19
Roof Wiring Harness Connector (L--)	6.9-30
6.10 Grounding Location View	6.10-1
G301a G301b G302 G303 G304 G305 G306 G307 G308 G1401	6.10-1
GD01 GD02 GD106 G1902	6.10-2
G101 G102 G103 G104 G105 G106	6.10-4
G201 G202 G203 G204 G205 G206 G207 G208 G210	6.10-5
G401	6.10-6
6.11 Wiring Harness Connector Terminal View	6.11-1
Wiring Harness to Wiring Harness Connector (X--)	6.11-1
Engine Compartment Wiring Harness Connector (C--)	6.11-36
Engine Wiring Harness Connector (E--)	6.11-60
Instrument Panel Wiring Harness Connector (P--)	6.11-79
Chassis Wiring Harness Connector (S--)	6.11-121
Door Wiring Harness Connector (D--)	6.11-139
Roof Wiring Harness Connector (L--)	6.11-161
6.12 Abbreviation	6.12-1
Abbreviation List	6.12-1

Electronic Control System 1



A6001001

1. System name.
2. Wiring harness connector number.

In this manual, the wiring harness connector is numbered based on wiring harness. For example, connector of ECM wiring harness in engine wiring harnesses is numbered as E01. E is the wiring harness code, 01 is the connector serial number.

The following table lists are wiring harness codes:

Definition	Wiring Harness Name
CA	Engine compartment wiring harness
C--	Engine compartment wiring harness connector
EN	Engine wiring harness
E--	Engine wiring harness connector
IP	Instrument panel wiring harness
P--	Instrument panel wiring harness connector
SO	Chassis wiring harness
S--	Chassis wiring harness connector
DR	Door wiring harness
D--	Door wiring harness connector
RF	Indoor lamp (roof) wiring harness
L--	Indoor lamp (roof) wiring harness connector
X	Wiring harness to wiring harness connector

CAUTION:

- 1 Door wiring harness consists of wiring harness of four doors.
- 2 For details of wiring harness connector numbering, please refer to wiring harness layout views.
3. Component name.
4. System information related to the circuit.
5. For wiring harness to wiring harness connector, the black arrow represents positive pole and the box represents the negative pole. The character in the box is the connector code.

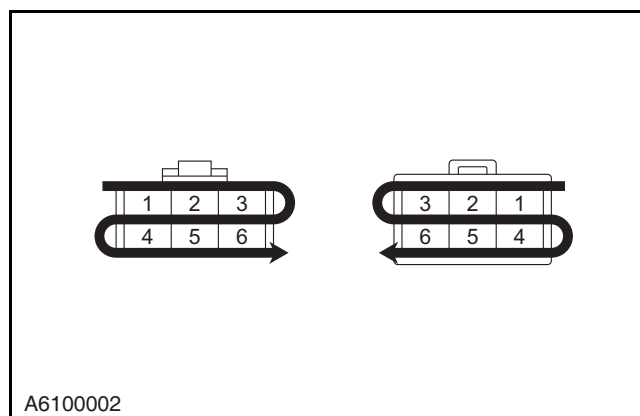
6. Wiring harness color and wire diameter. The following table shows the color code:

Color Code	Wiring Harness Color	Legend
BK	Black	
BN	Brown	
BU	Blue	
GN	Green	
GY	Grey	
LG	Light Green	
LU	Light Blue	
OG	Orange	
PK	Pink	
RD	Red	
SR	Silver	
VT	Violet	
WH	White	
YE	Yellow	

If a wiring harness has two colors, the first character shows the background color and the second shows the stripe color, divided by "/".

For example, YE/WH means yellow background color with white stripe.

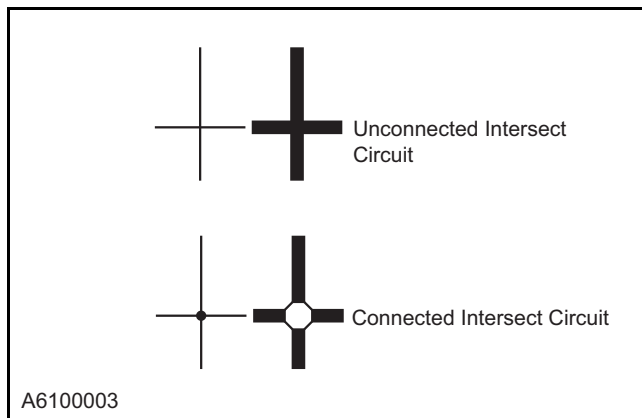
7. Pin number. The pin number of mated connector pair are mirrored relationship, as shown below:



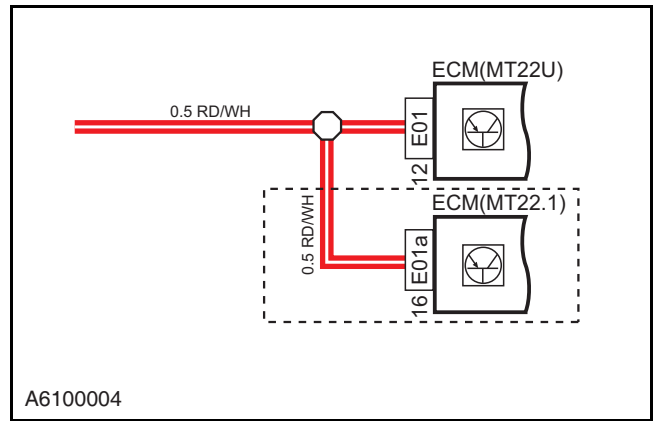
8. Grounding number. The grounding number starts with G. For grounding details, please refer to grounding layout view.
9. For power supply type supplied to fuse, +B represents battery power supply, ACC represents power supply output when ignition switch is at "ACC", IG1 represents No.5 terminal output when ignition switch is at "ON", and IG2 represents No.1 terminal output when ignition switch is at "ON".

⚠ CAUTION: The difference between IG1 and IG2 is that there is power supply output from IG1, but no output from IG2 when the ignition switch is in "ST".

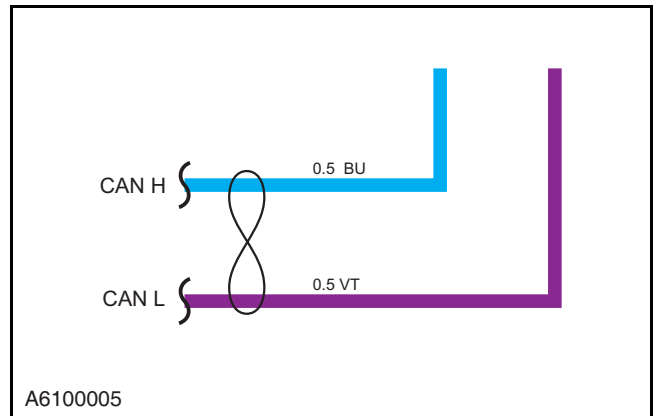
10. Wiring harness splice point.

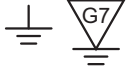
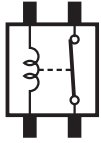
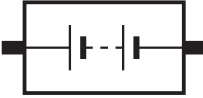

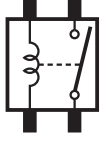

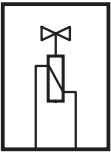
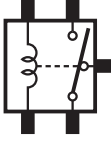
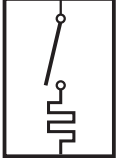



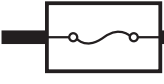
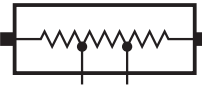



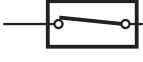

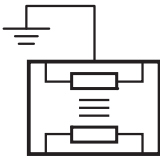


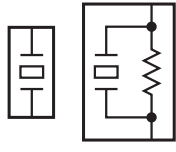
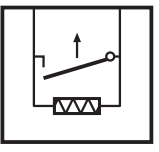


11. Fuse number consists of a fuse code and a sequential number. Code EF represents fuses in the engine compartment fuse and relay box; Code DF represents fuses in instrument panel fuse and relay box. For details, please refer to fuse table.
12. A relay is represented by two capital English letters. Code ER represents relays in the engine compartment fuse and relay box; Code IR represents relays in the instrument panel fuse and relay box. For details, please refer to the relay table.
13. Filling grey shade means the electronic component, C24 represents the battery positive wiring harness connector code.
14. Circuit differences in different models, engines or specifications are noted by dashed lines and texts beside the circuit.




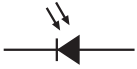

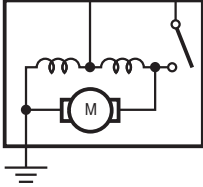


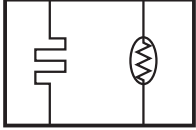

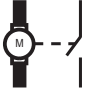

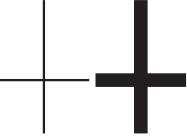


15. The 8-shaped symbol between wiring harnesses represents Unshielded Twisted Pair (UTP), which is used for sensor signal or data communication.



	Grounding		Normal Close Relay		Battery
	Temperature Sensor		Normal Open Relay		Capacity
	Solenoid Valve		Double-throw Relay		Cigarette Lighter
	Solenoid Valve		Resistor		Antenna
	Small Load Fuse		Potentiometer		Normal Open Switch
	Medium Load Fuse		Variable Resistor		Normal Close Switch
	Large Load Fuse		Ignition Coil		Double-throw Switch
	Heater		Knock Sensor		Airbag

A6200001

	<p>Diode</p>		<p>Bulb</p>		<p>Twisted-pair Wire</p>
	<p>Photo Diode</p>		<p>Horn</p>		<p>Starting Motor</p>
	<p>Light Emitting Diode</p>		<p>Spiral Cable</p>		<p>Oxygen Sensor</p>
	<p>Motor</p>		<p>Limit Switch</p>		<p>Connected Intersect Circuit</p>
	<p>Unconnected Intersect Circuit</p>				

A620002

Diagnostic Procedure

Refer to the following procedures for circuit fault diagnosis:

1. Confirm Fault

To do proper repair, confirm the fault symptoms described by the customer first. Inspect the relevant component carefully to confirm fault symptoms and make record. DO NOT disassemble the component before confirmation of the fault scope and causes.

2. Read Wiring Diagram and Analyze Causes

Make a complete analysis and judgment on the fault components from power supply to grounding according to the sub-system wiring diagram and determine the repair solution. If it cannot be determined, please read the system description in the "Description and Operation" section in the repair manual to understand the working principle. And inspect other circuits that has common part with the fault circuit, for example, the fuse, grounding, switch, etc. Inspect the common circuit not covered in step 1. If other components in the common circuit work properly, it means the fault exists in its own circuit. Otherwise, the fuse or grounding may have faults.

3. Inspect Circuits and Components

Always use the wiring diagram together with repair manual and refer to the diagnostic procedure for circuits and components in the repair manual. For the circuit with a control module, fully use diagnostic tools to do the test. Effective diagnosis should be a logical and reasonable operation. Fully use the diagnostic procedures in the repair manual and start the inspection from the most likely causes and the components with easiest inspection way.

4. Repair Fault

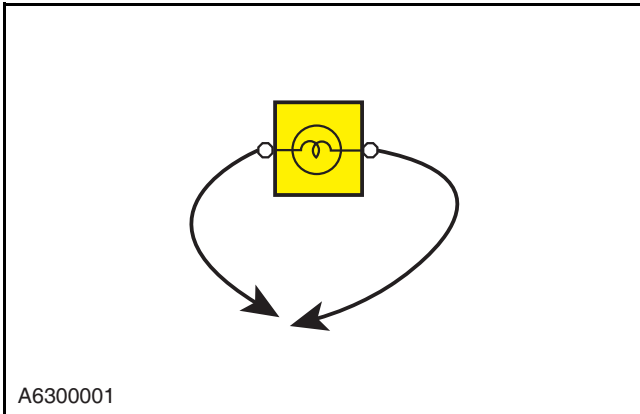
Repair the fault. Refer to the wiring diagram and the description for fault treatment in repair manual. For example, the diagnostic procedure for poor grounding and the wiring harness connector treatment.

5. Confirm Circuit Working Condition

After repair, all functions should be reinspected to confirm that the fault is repaired. For the fuse blown fault, inspect all the relevant circuits sharing this fuse.

Diagnostic Tools

1. Voltmeter and Test Lamp

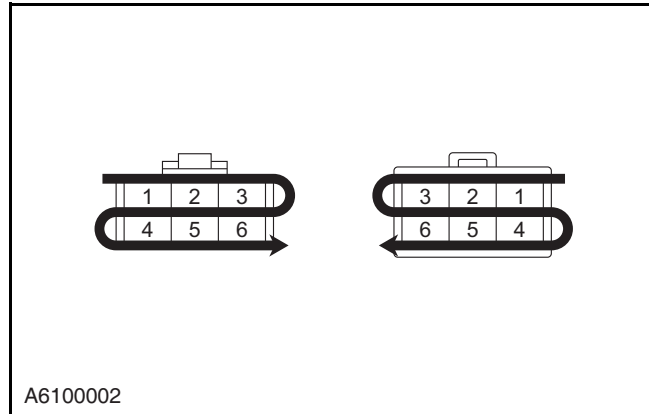


Use test lamp or voltmeter to inspect the circuit status. Check for voltage. Test lamp comprises a pair of wiring harnesses and a 12 V bulb. When inspecting, connect one wiring harness to the ground and the other one to the certain measurement point. If the bulb is lit, it means the measurement point has power supply.

⚠ WARNING: When inspecting the electronic control module voltage, DO NOT use test lamp to inspect the module circuit. Otherwise it could damage the interior circuit inside the module. Please use a voltmeter with 10 MΩ or higher internal resistance (for example, to inspect the ECM voltage circuit).

Voltmeter has the same usage method as the test lamp, but voltmeter can show the voltage value of the circuit. Use a voltmeter with high impedance to test the voltage. If the circuit has poor connection, the voltmeter may show the normal value, but the voltage cannot drive the load successfully.

2. Self-powered Test Lamp and Ohmmeter

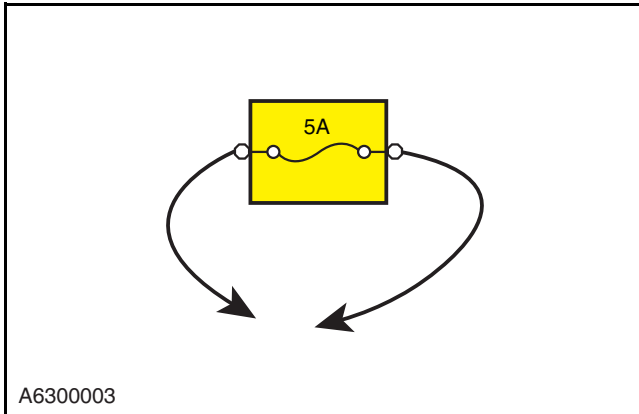


Use test lamp with own 12 V power supply or ohmmeter to inspect the circuit for continuity. Self-powered test lamp comprises a bulb, battery and a pair of wiring harnesses. The bulb will be lit when the two wiring harnesses are connected. Before testing, disconnect the negative battery cable and pull out the fuse of the circuit. To test the circuit for continuity, connect two wiring harnesses to the two measurement points. If the bulb is lit, it means the circuit is normal.

⚠ WARNING: DO NOT use self-powered test lamp to inspect the control module. Otherwise, it could damage the interior circuit inside the control module. Please use a ohmmeter with 10 MΩ or higher internal resistance.

Ohmmeter has the same operation method as voltmeter, but ohmmeter can show the resistance value. The lower resistance, the better continuity.

3. Jumper Wire with Fuse

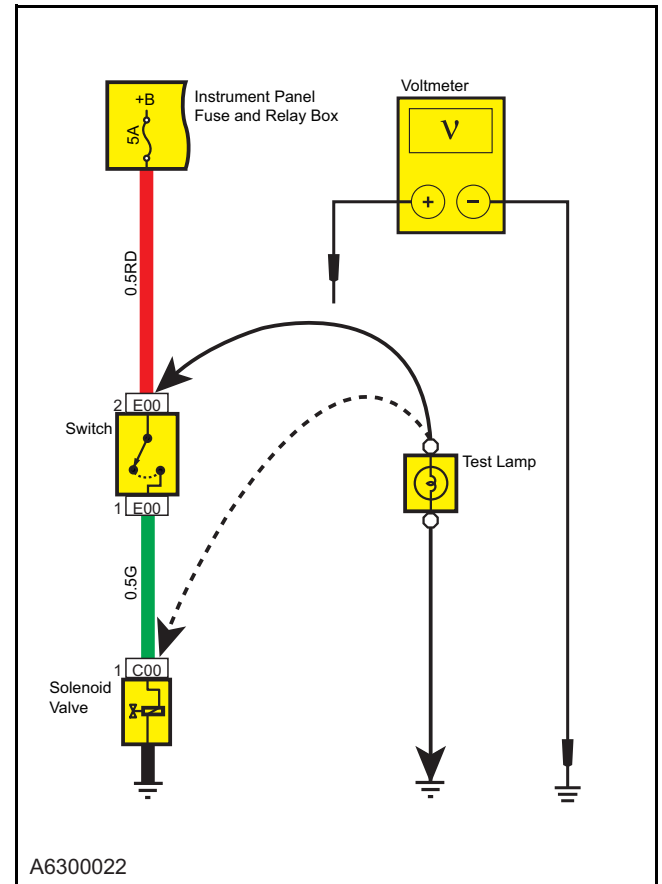


Use jumper wire to test a broken point for open loop circuit (circuit open). The jumper wire is a tool that should be in tandem with the circuit.

WARNING: To protect the circuit to be inspected, DO NOT use the fuse higher than the rated capacity of circuit to inspect relevant circuits. DO NOT use the jumper wire as the input or output signal when a control module such as ECM or TCM is in the circuit. Otherwise, it could damage the interior circuit inside the control module.

Fault Testing

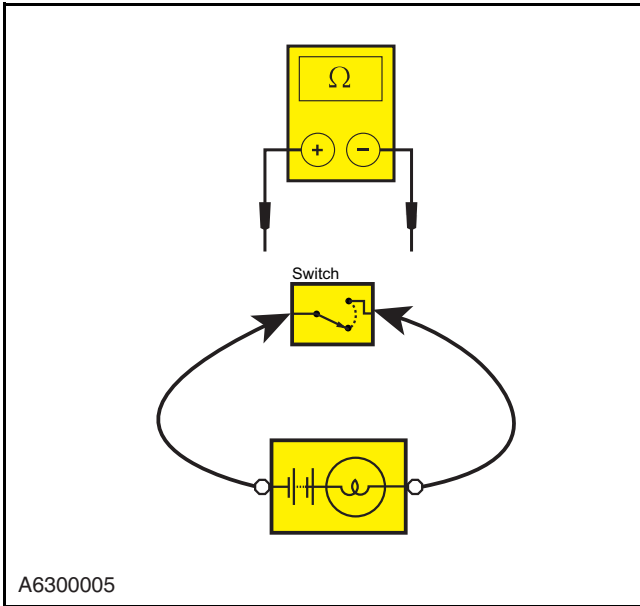
1. Voltage Testing



Voltage testing is to test the voltage at a certain point. When testing a certain connector terminal, insert the positive probe of circuit testing tool from back of connector without disassembling wiring harness connector.

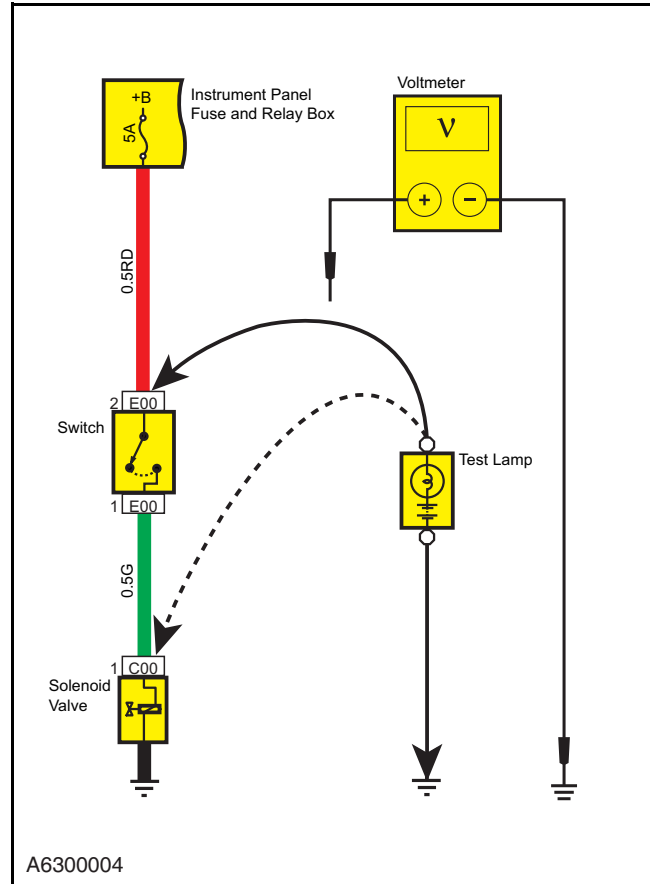
- 1 When testing the voltage with test lamp or voltmeter, connect the negative of testing tool to battery negative.
- 2 Connect the other end of wiring harness of the test lamp or positive probe of the voltmeter to the test position.
- 3 If a voltmeter is used and displayed voltage value is lower than the rated value at least 1 V, which means a circuit fault. It means a circuit fault if a test lamp is used and lamp is not lit.

2. Power Testing



- 1 Disconnect the negative battery cable.
- 2 Connect one wiring harness of the self-powered test lamp or the probe of the ohmmeter to the test component. When using ohmmeter, please connect the two probes each other and use reset button to adjust the ohmmeter to zero.
- 3 Connect the other wiring harness of the test lamp or probe of the ohmmeter to the other side of the test load.
- 4 If the bulb is lit, it means the circuit is normal. If an ohmmeter is used and the resistance value is very low or close to 0 Ω , it means the component has good continuity.

3. Short Circuit Testing

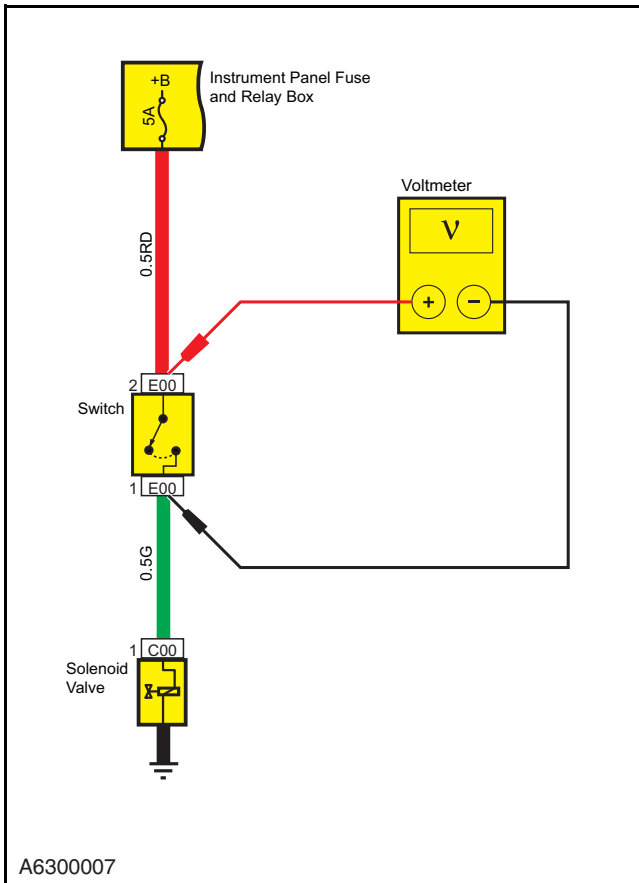


- 1 Disconnect the negative battery cable.
- 2 Connect one wiring harness of the self-powered test lamp or one probe of the ohmmeter to the output terminal of the fuse.
- 3 Connect the other wiring harness of the self-powered test lamp or other probe of the ohmmeter to the grounding.
- 4 Disconnect all the electrical loads related to the fuse.

CAUTION: If all the electrical loads related to the fuse are not disconnected, when testing the low resistance circuit such as lights, the ohmmeter will always display the low value. This will cause wrong judgment.

- 5 Do the careful inspection from the place closest to the fuse.
- 6 If the self-powered test lamp is lit or ohmmeter has value display less than 5 Ω , it means the short circuit to the ground.

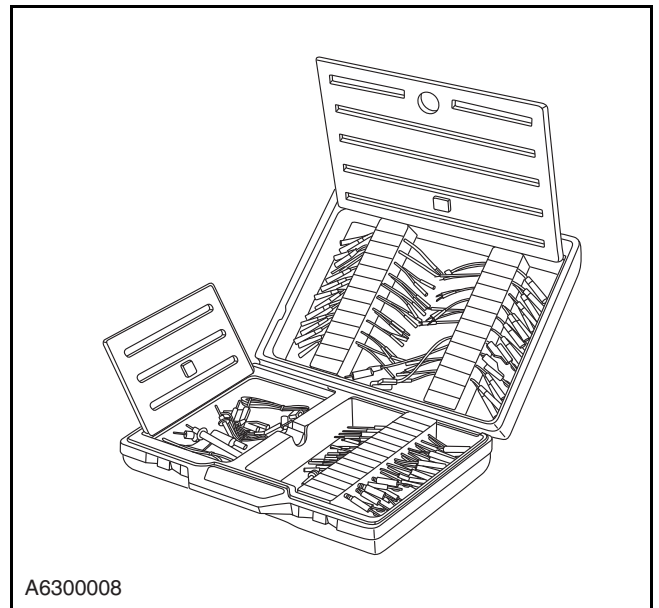
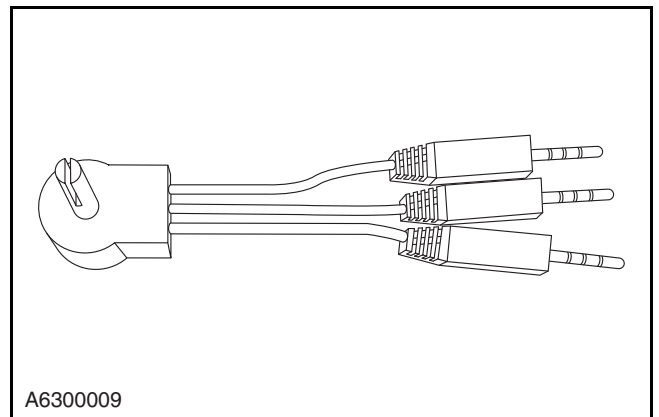
4. Voltage Drop Testing



This is a test to inspect the voltage drop along the wiring harness, connector or switch.

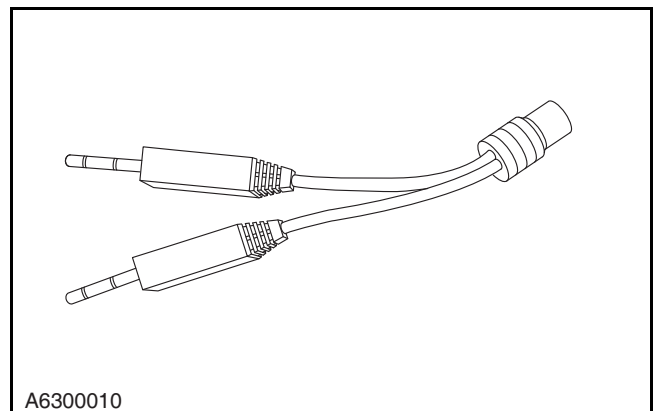
- 1 Connect the positive probe of the voltmeter to one end of the circuit close to the battery (connector or switch side).
- 2 Connect the negative probe to the other end of the circuit (the other side of connector or switch).
- 3 Switch on or off to make the circuit work.
- 4 The voltmeter will display the voltage difference between the two test points.
- 5 If the voltage difference is more than 0.1 V (less than 50 mV for 5 V circuit), it means a circuit fault. Inspect for loose, oxidized or corrosive circuit.

Repair Tools

1. 5 K Ω Rheostat

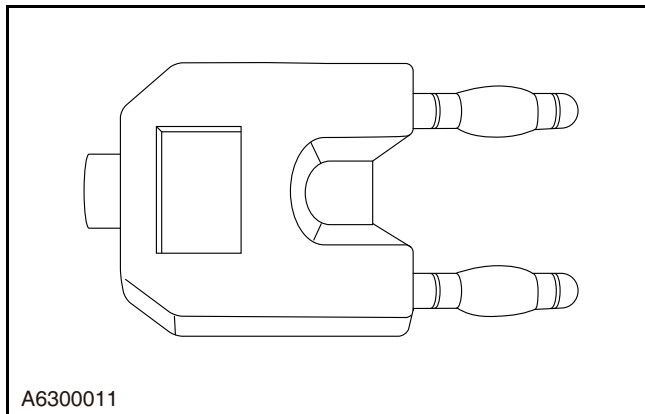
It can simulate each ohm-type sensor signal, such as coolant temperature sensor, air intake temperature sensor and so on. And help to make quick judgment on the performance of the component.

2. LED Test Lamp



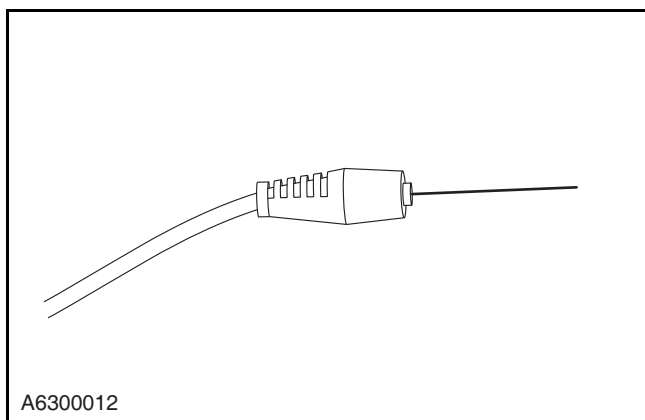
Bidirectional two-color LED lamp can change its color when exchanging the positive and negative. This feature can be used to test the PWM control signals of Hall sensor.

3. Airbag Test Tool



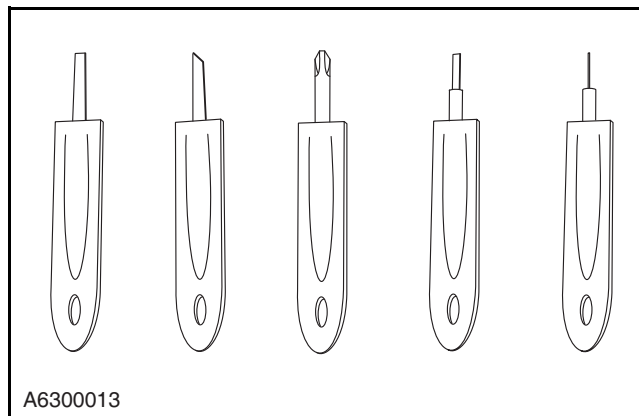
Before installing a new airbag after airbag system fault or vehicle accident, install this tool to the airbag system, and use diagnostic tools to confirm that the airbag system works properly. After that, install the new airbag. This process can guarantee a safe airbag operation.

4. Probe



When testing a system component, insert it from back of the wiring harness connector directly without breaking the wiring harness, to reduce man-made fault.

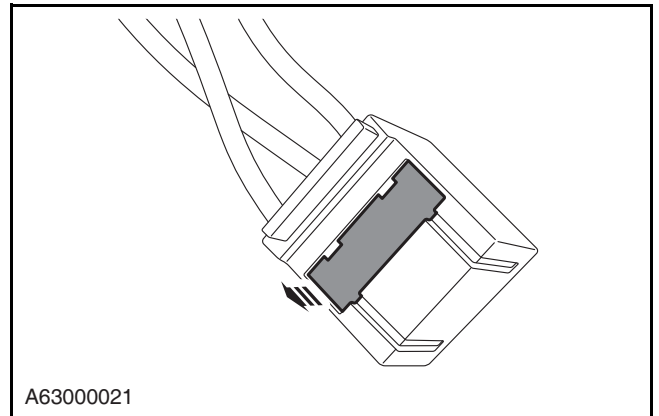
5. Terminal Repair Tool



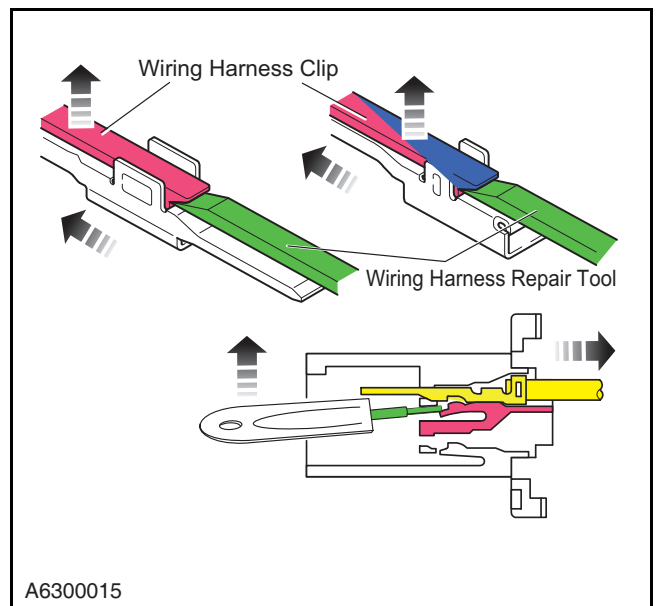
When maintaining and repairing certain terminal, use this tool to separate them from the connector.

Wiring Harness Terminal Repair

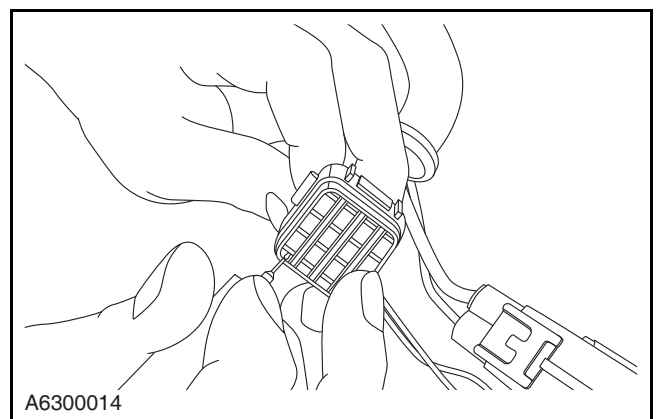
1. Remove the terminal pin.



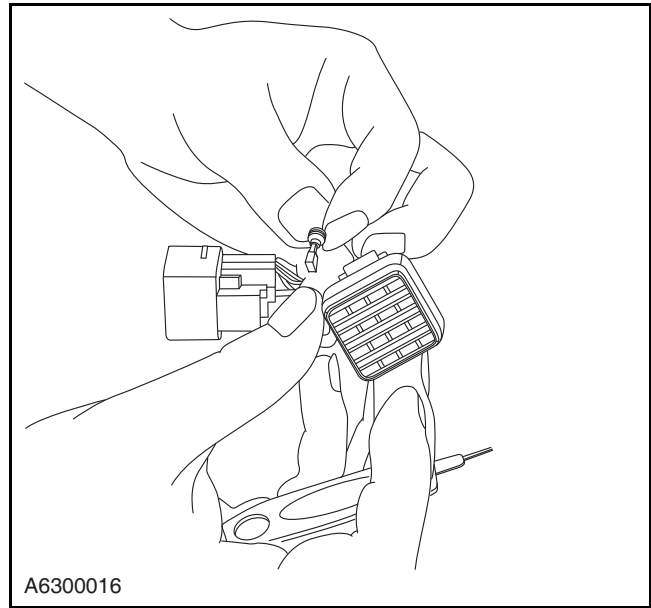
2. Separate the wiring harness clip with wiring harness repair tool.



3. Pull out the wiring harness terminal from the rear of connector.

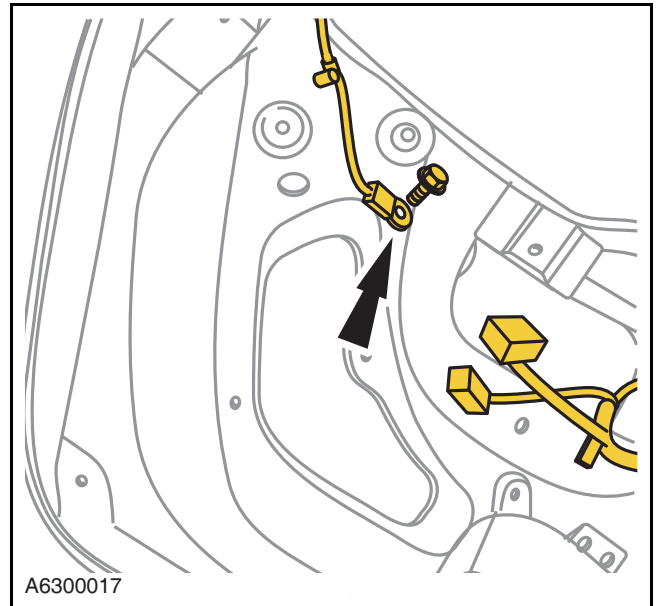


4. Adjust and clean the wiring harness terminal contact plate pulled out from connector.

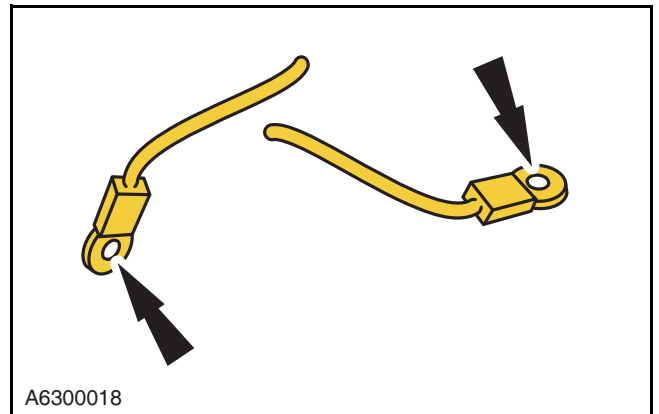


Poor Grounding Connection Repair Procedure

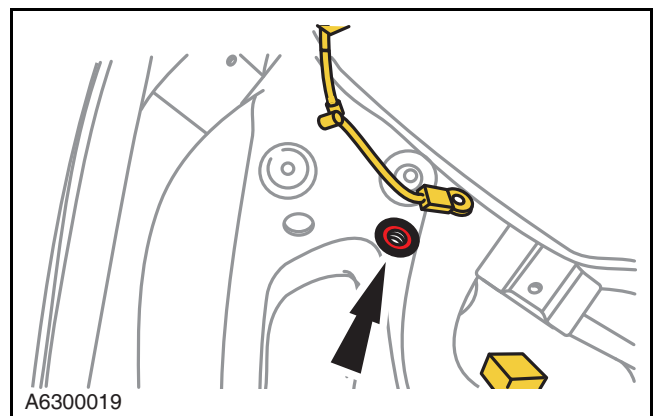
1. Remove the grounding bolt.



2. Clean the two surfaces (both vehicle contact side and bolt side) of the copper ring with abrasive cloth until the oxide is completely cleared.



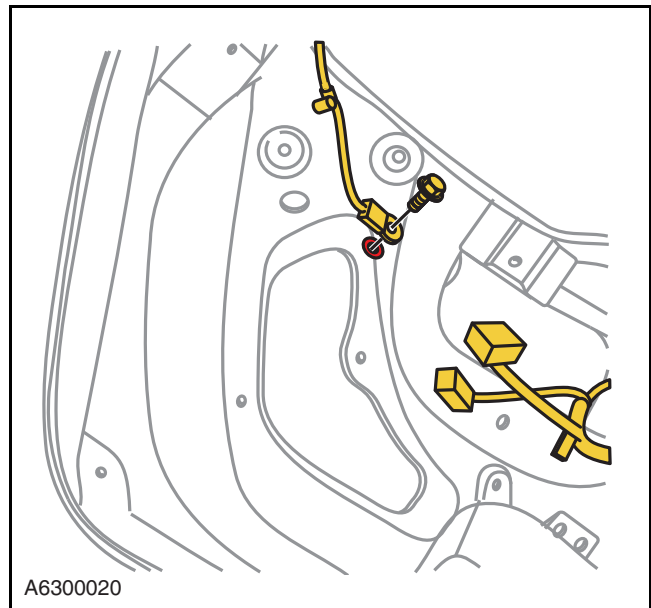
3. Clean the grounding surface on the vehicle with abrasive cloth until it is completely cleaned.



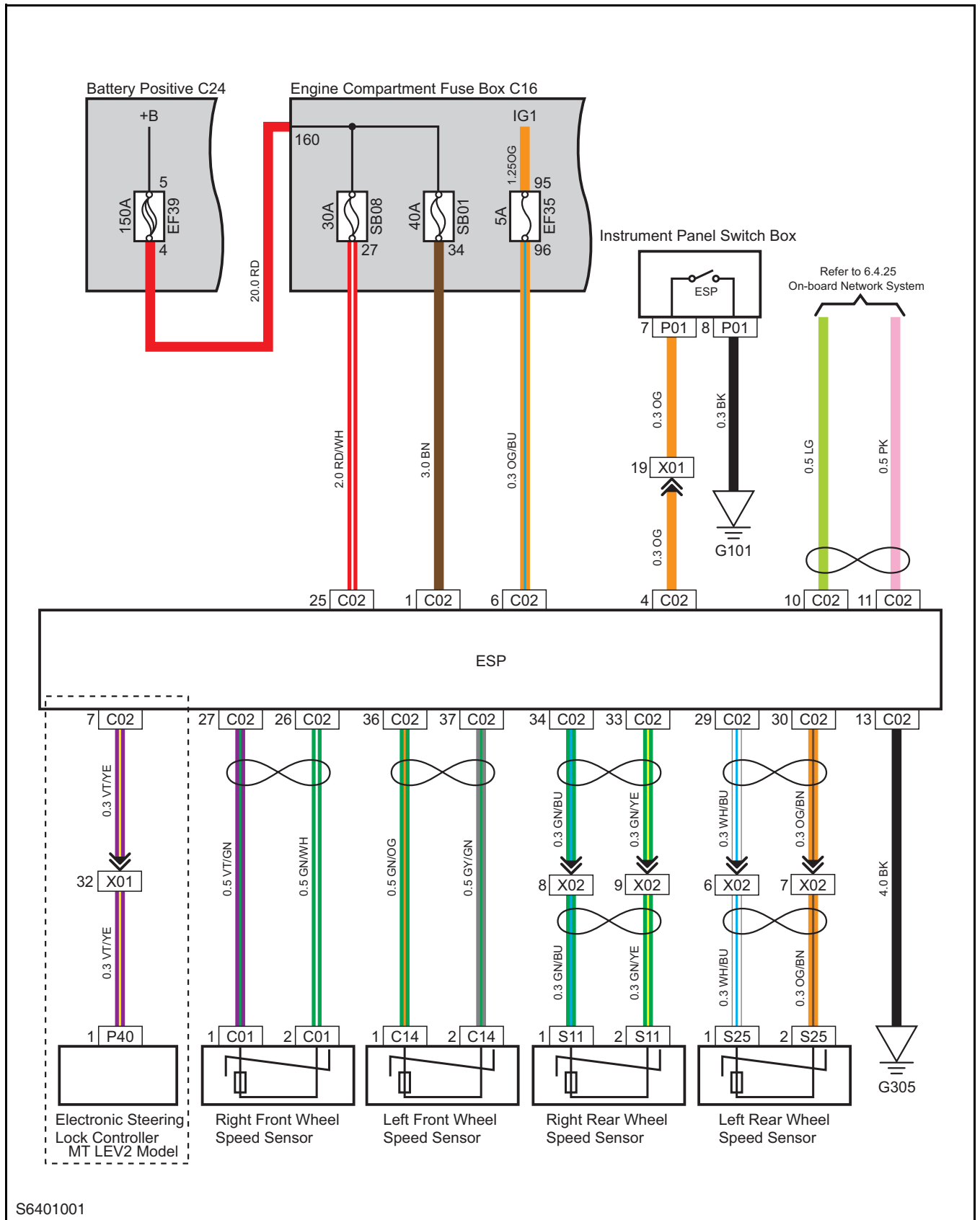
4. Reinstall the wiring harness and retaining bolt of grounding. Tighten it to specified torque.

Torque for M6 bolt: 8 Nm

Torque for M8 bolt: 20 Nm

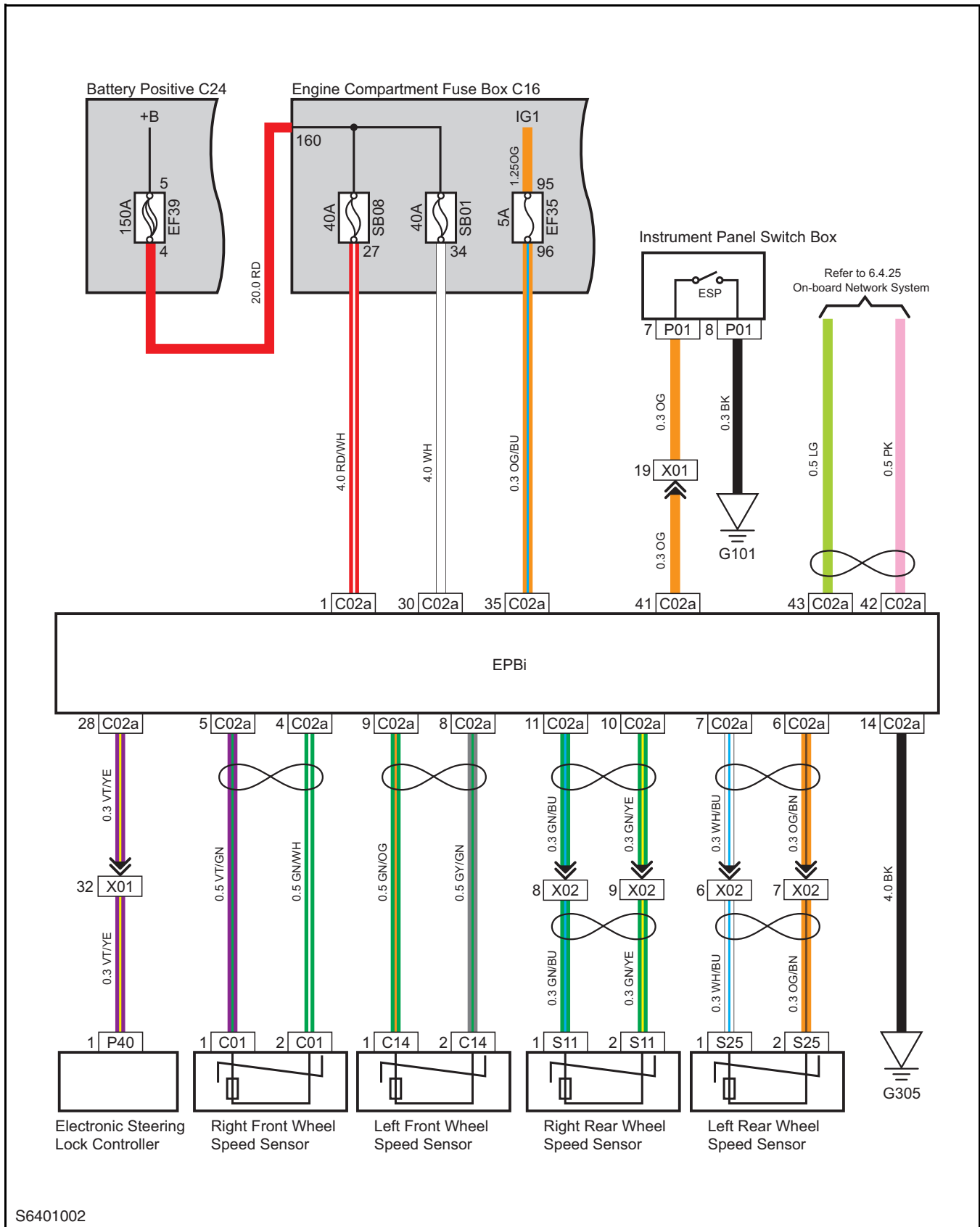


Electronic Stability Control System (for MT LEV1, MT LEV2 Models)

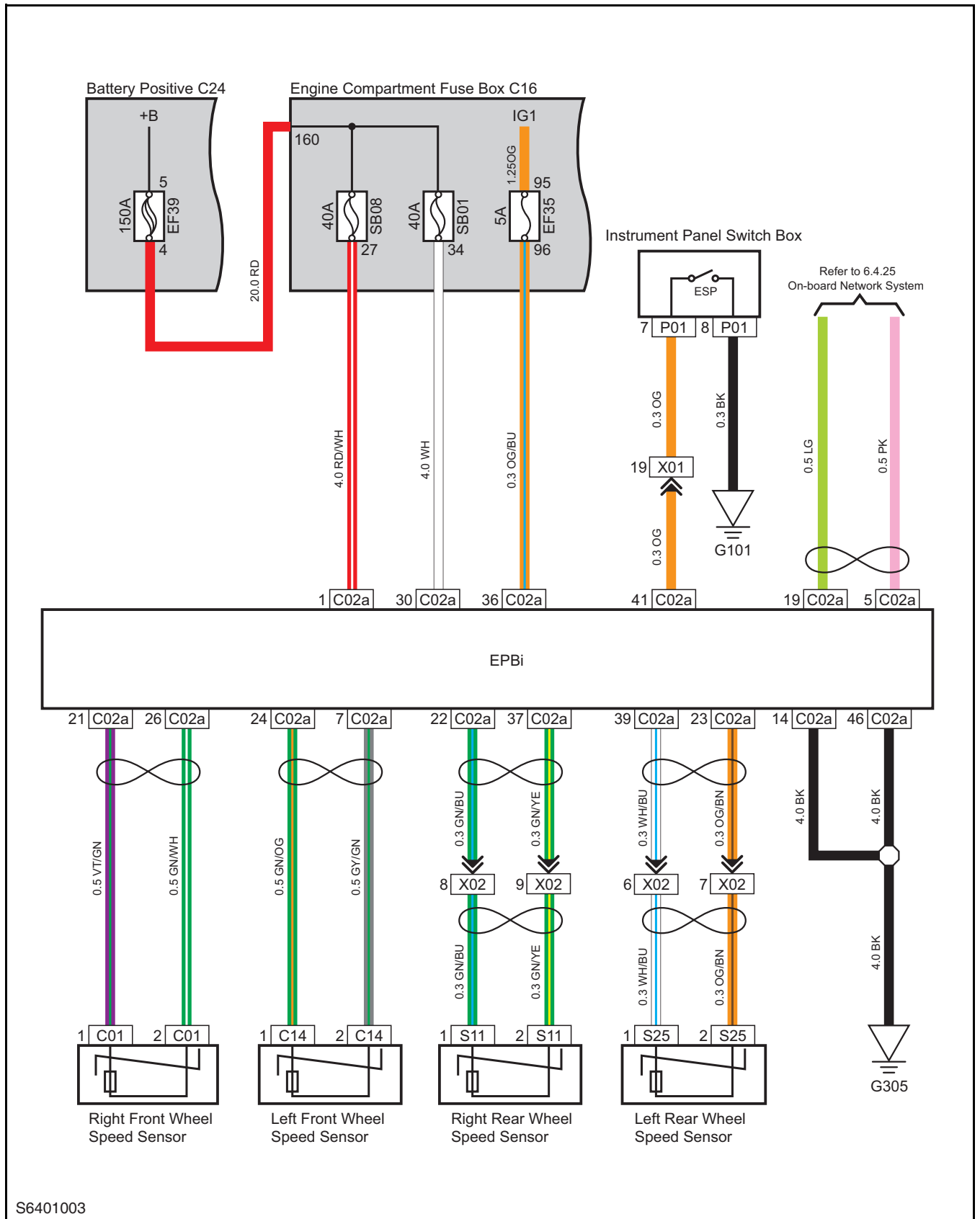


S6401001

Electronic Stability Control System (for MT LEV3 Model)

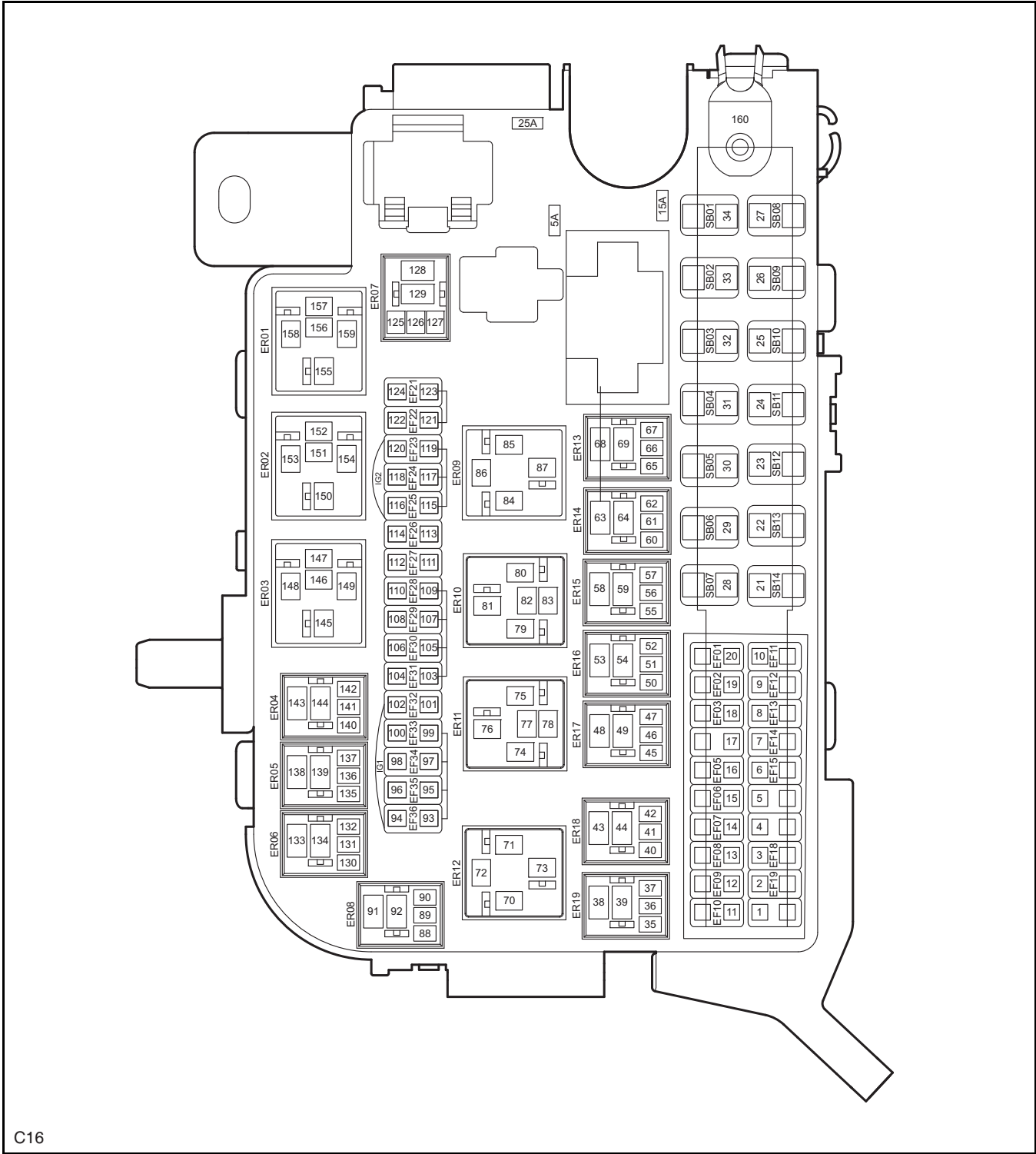


Electronic Stability Control System (for AT LEV2, AT LEV3 Models)



S6401003

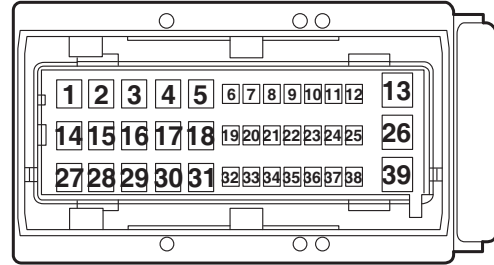
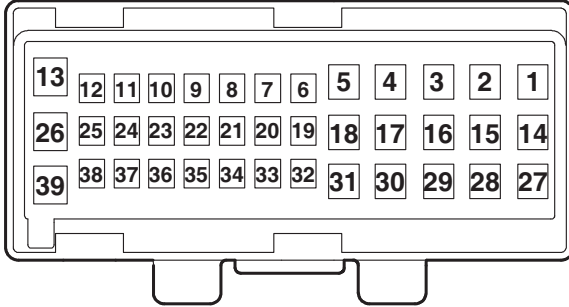
Engine Compartment Fuse Box



C16

Engine Compartment Wiring Harness to Instrument Panel Wiring Harness E

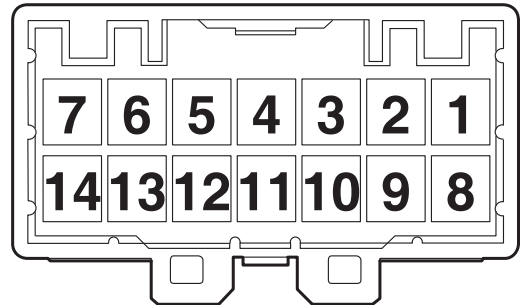
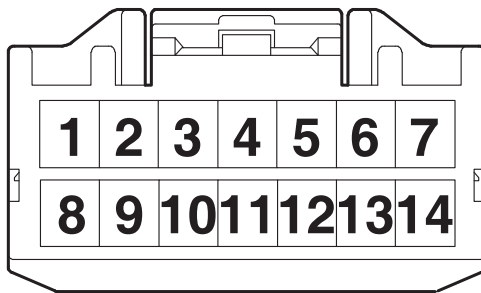
Instrument Panel Wiring Harness to Engine Compartment Wiring Harness E



X01

Engine Compartment Wiring Harness to Chassis Wiring Harness B

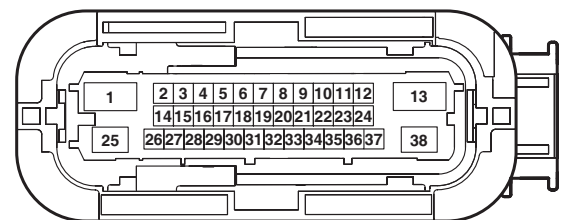
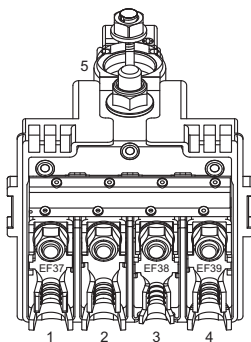
Chassis Wiring Harness to Engine Compartment Wiring Harness B



X02

Battery Positive

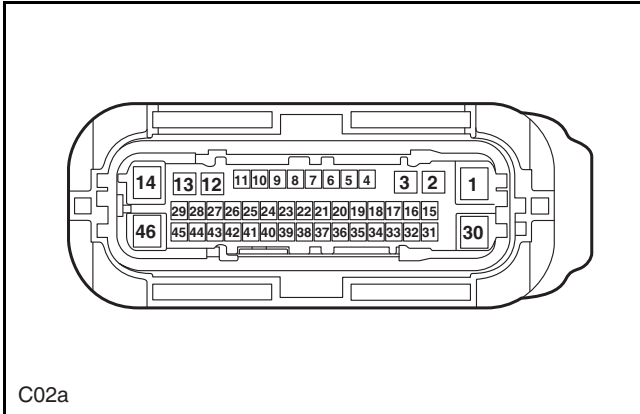
Body Stability Controller (ESP)



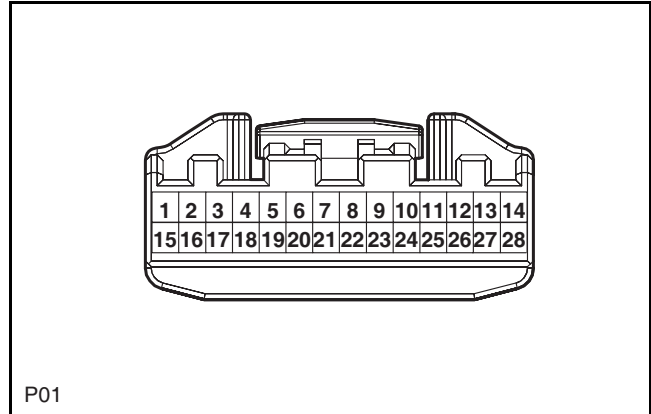
C24

C02

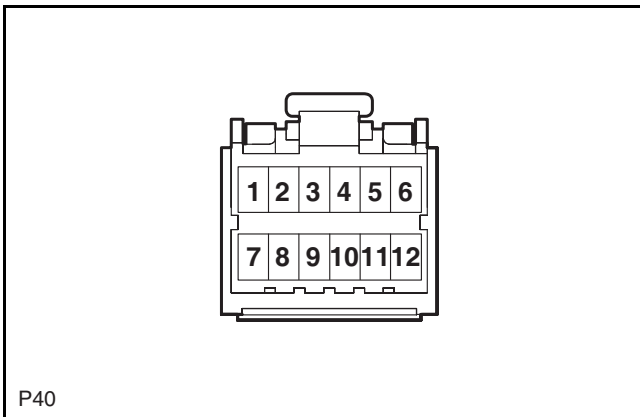
Electronic Parking Brake Controller (EPBi)



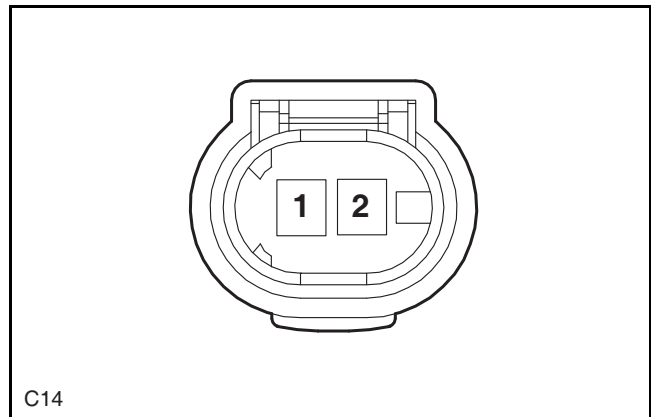
Instrument Panel Switch Box



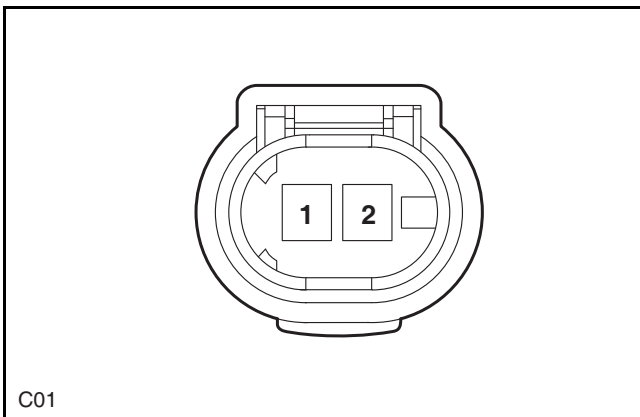
Electronic Steering Lock Controller



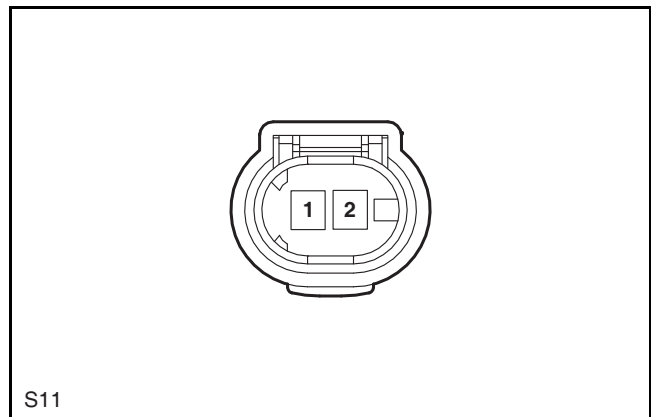
Left Front Wheel Speed Sensor



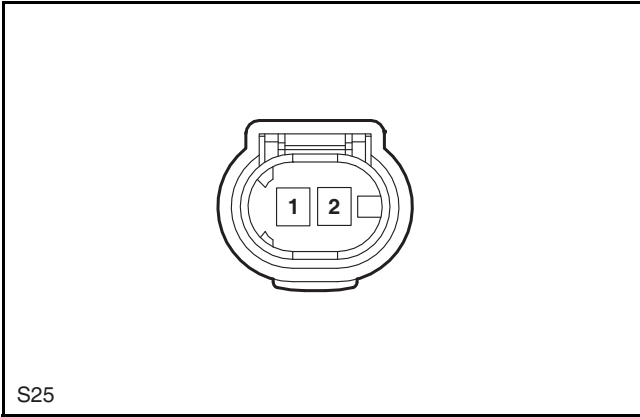
Right Front Wheel Speed Sensor



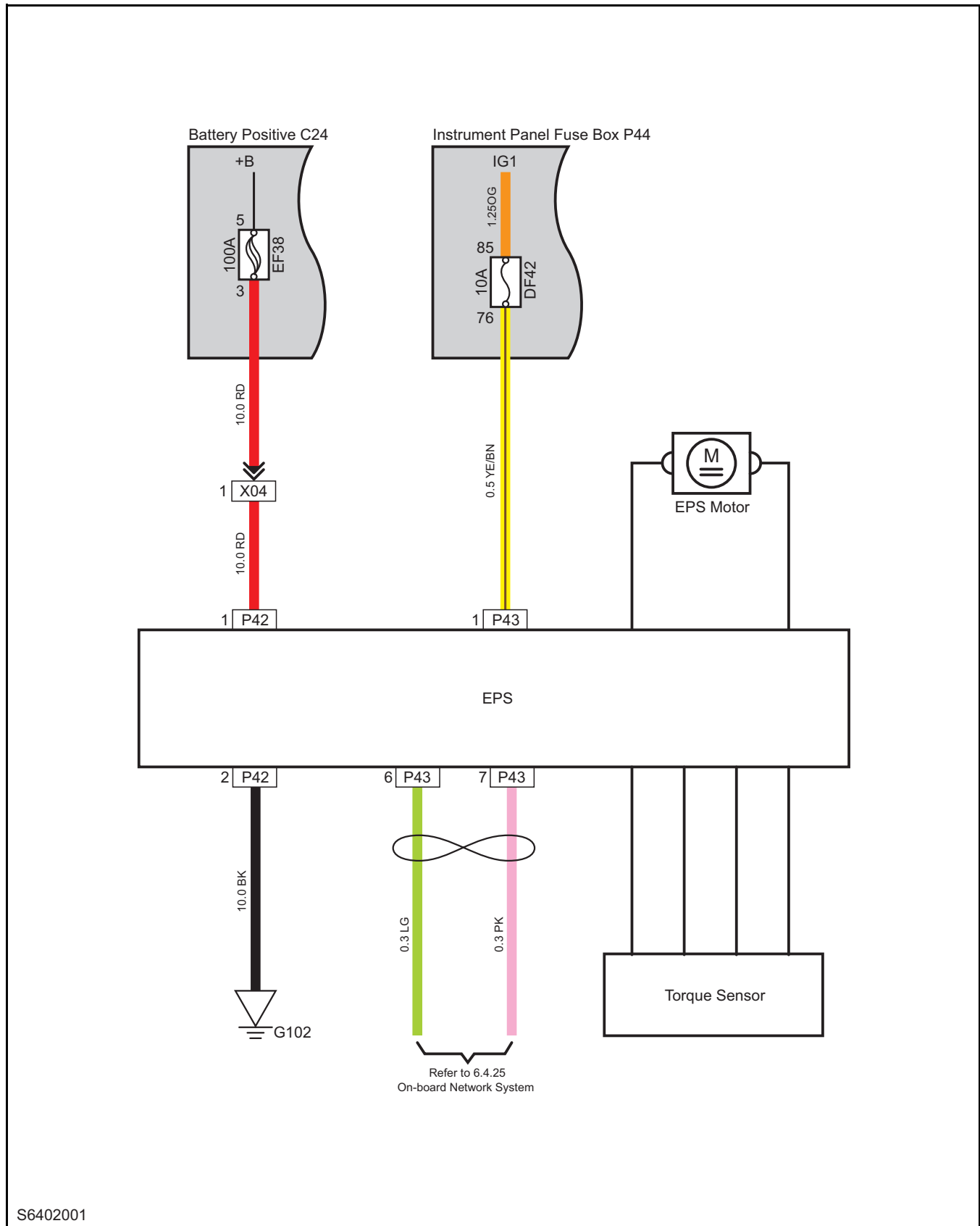
Right Rear Wheel Speed Sensor



Left Rear Wheel Speed Sensor

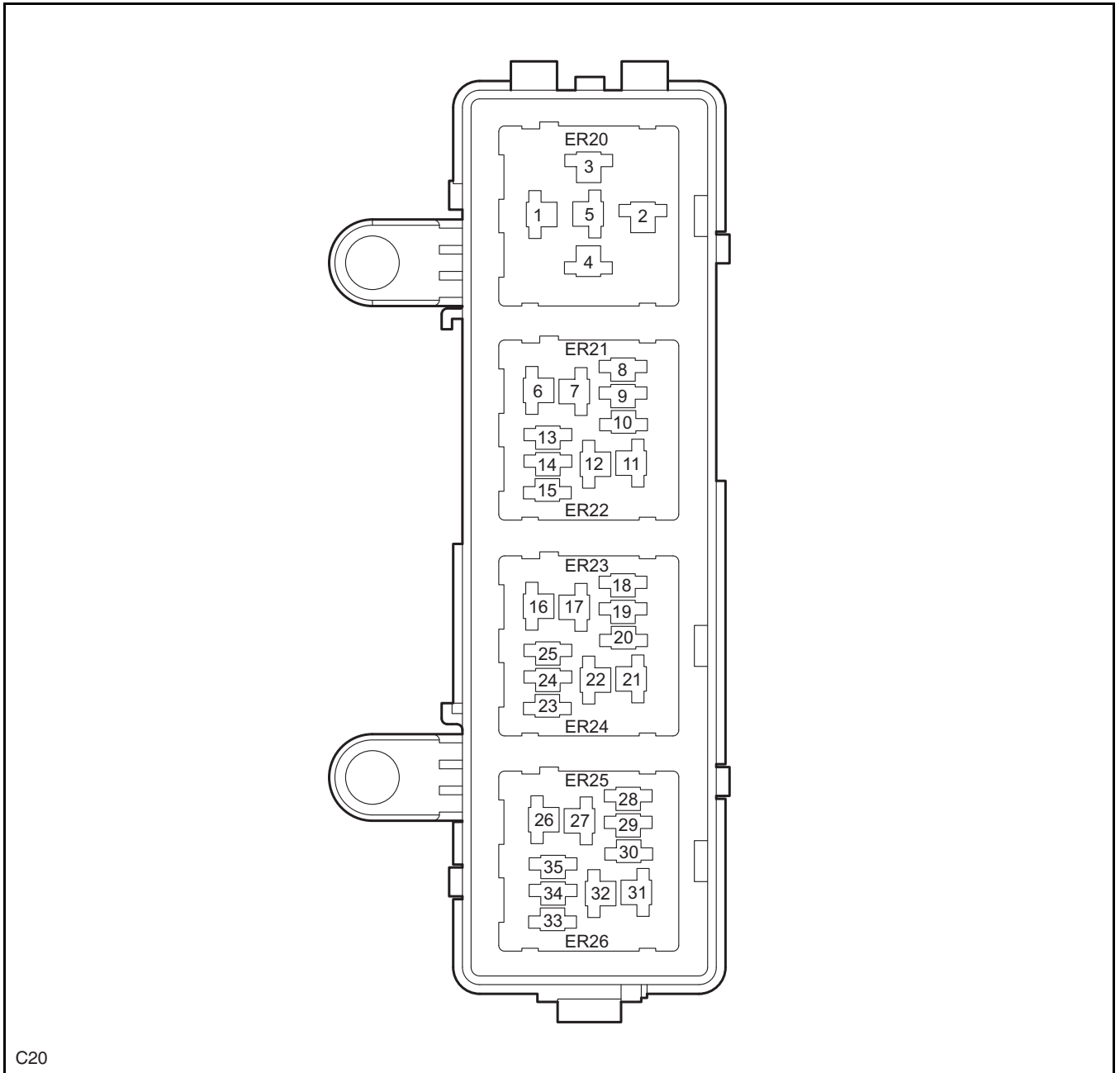


Electronic Assist Steering



S6402001

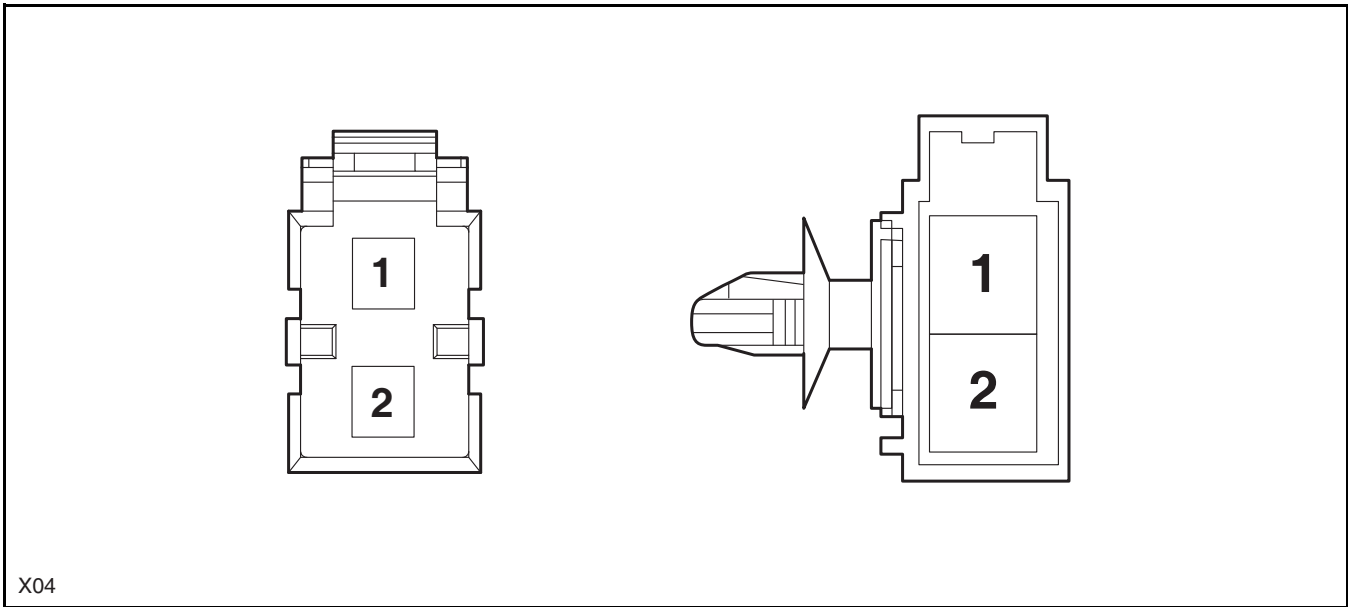
Engine Compartment Sub Fuse Box



C20

Engine Compartment Wiring Harness to Instrument Panel Wiring Harness B

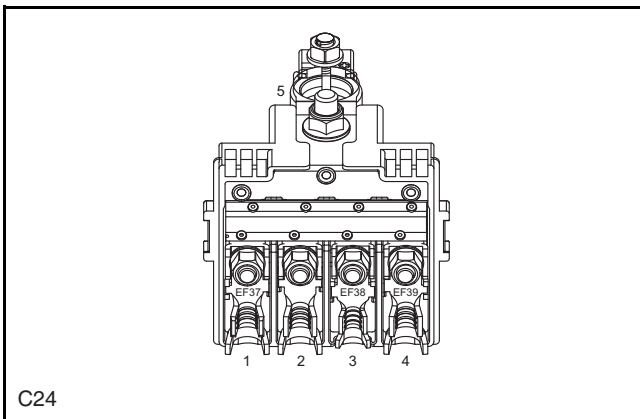
Instrument Panel Wiring Harness to Engine Compartment Wiring Harness B



X04

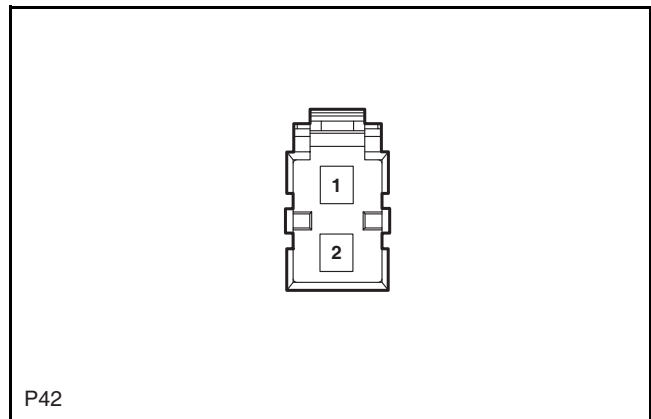
Battery Positive

EPS Power Supply

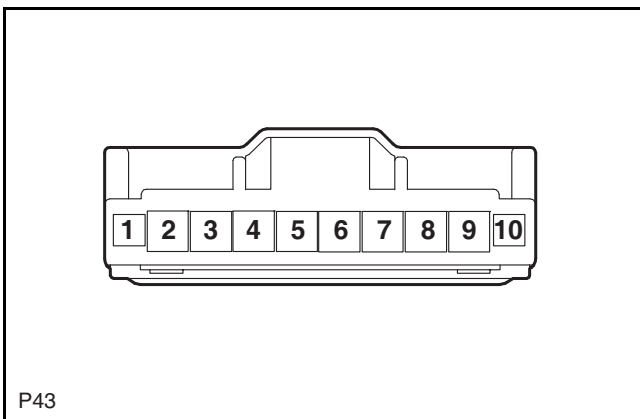


C24

EPS Signal

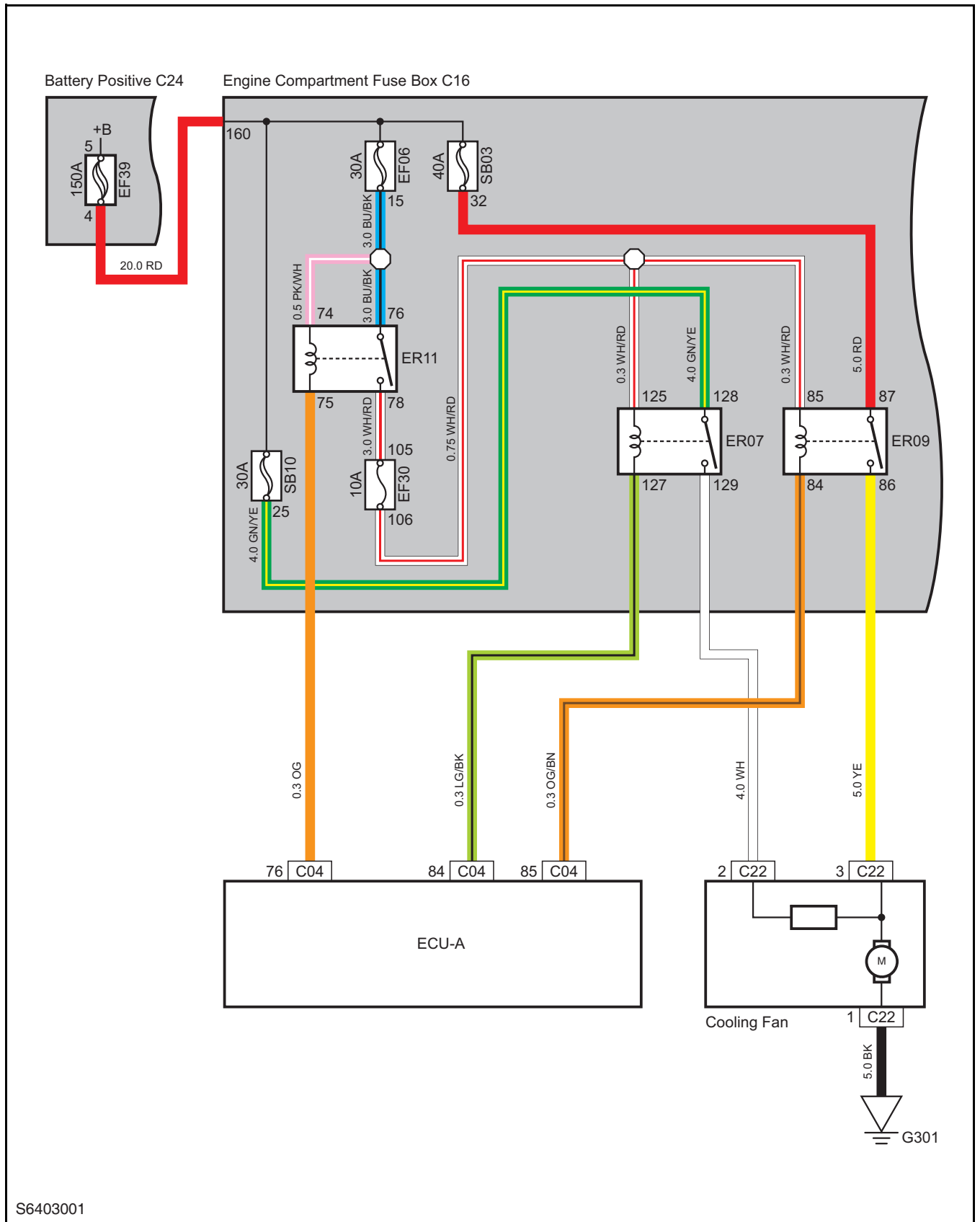


P42



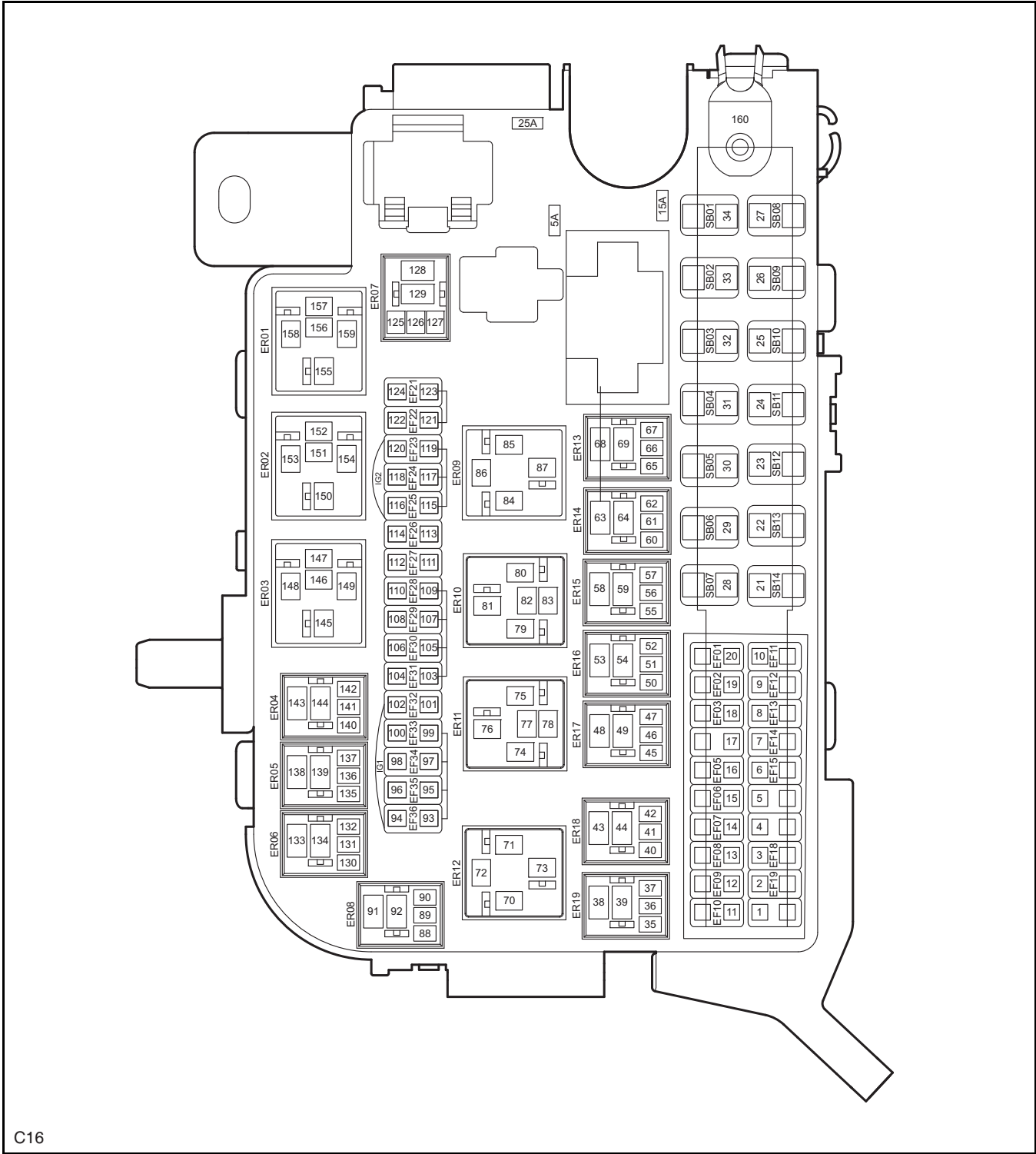
P43

Cooling System



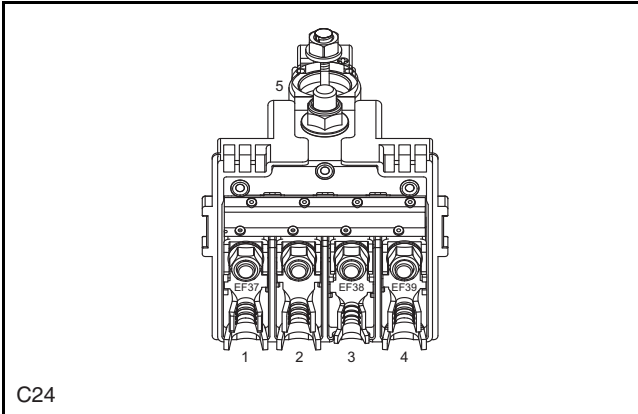
S6403001

Engine Compartment Fuse Box

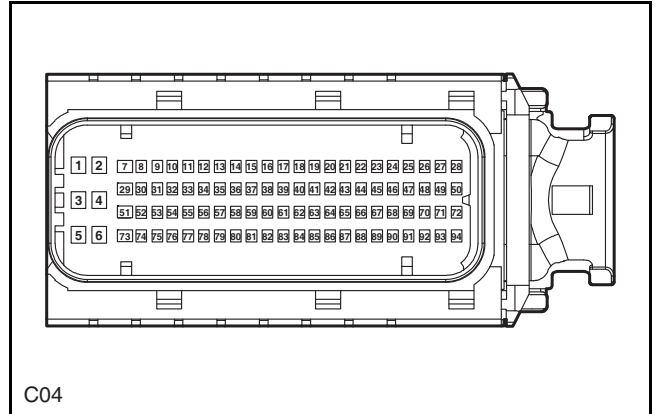


C16

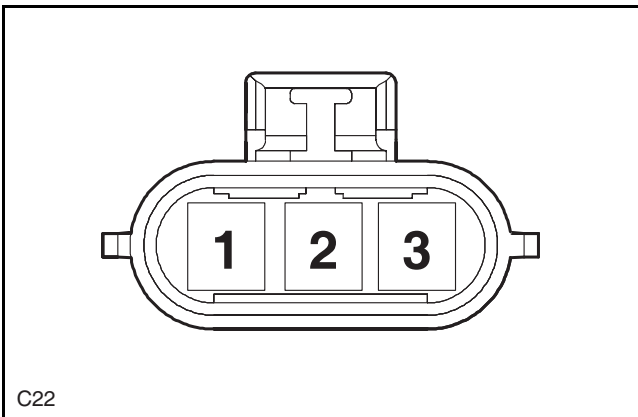
Battery Positive



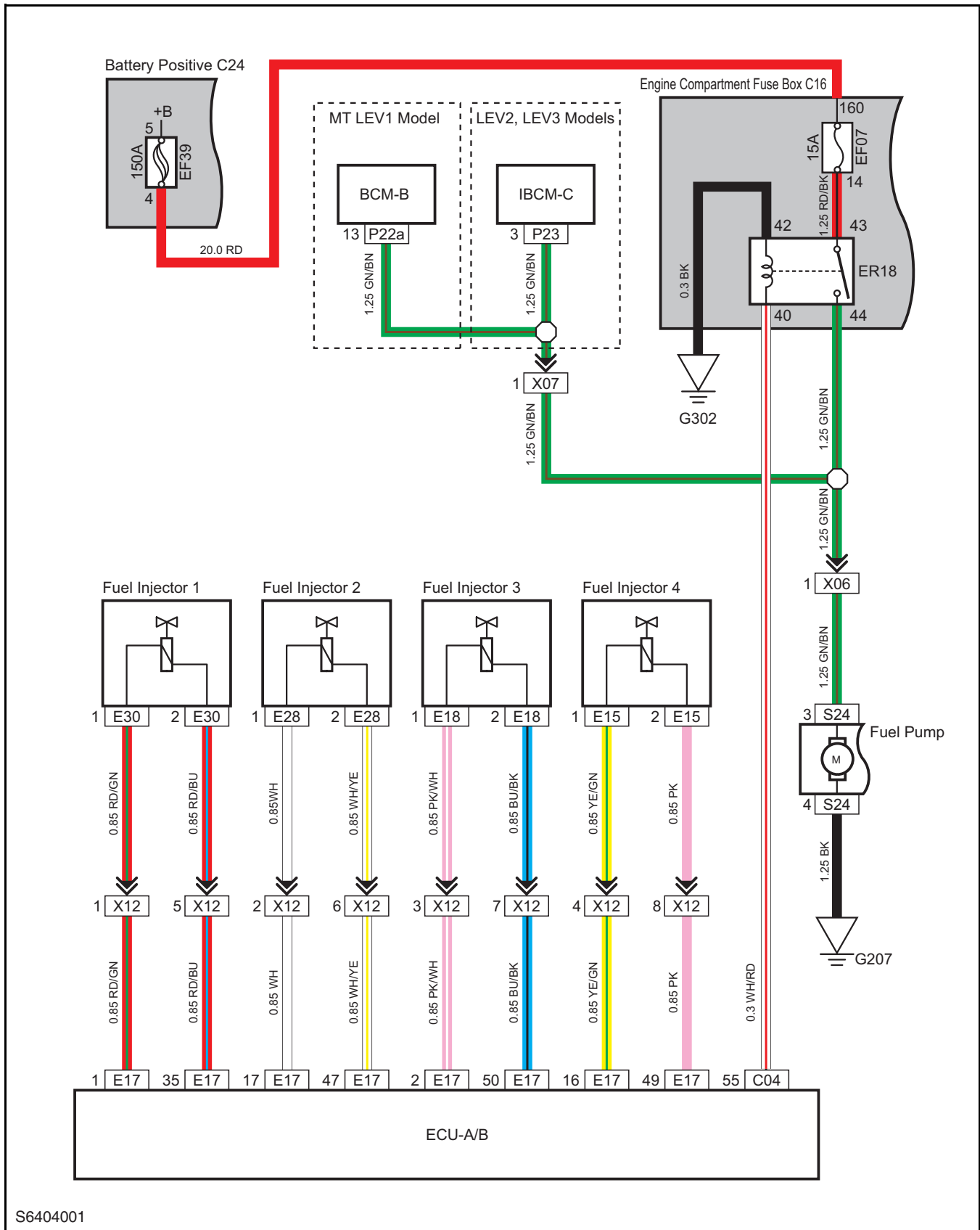
ECU-A



Cooling Fan

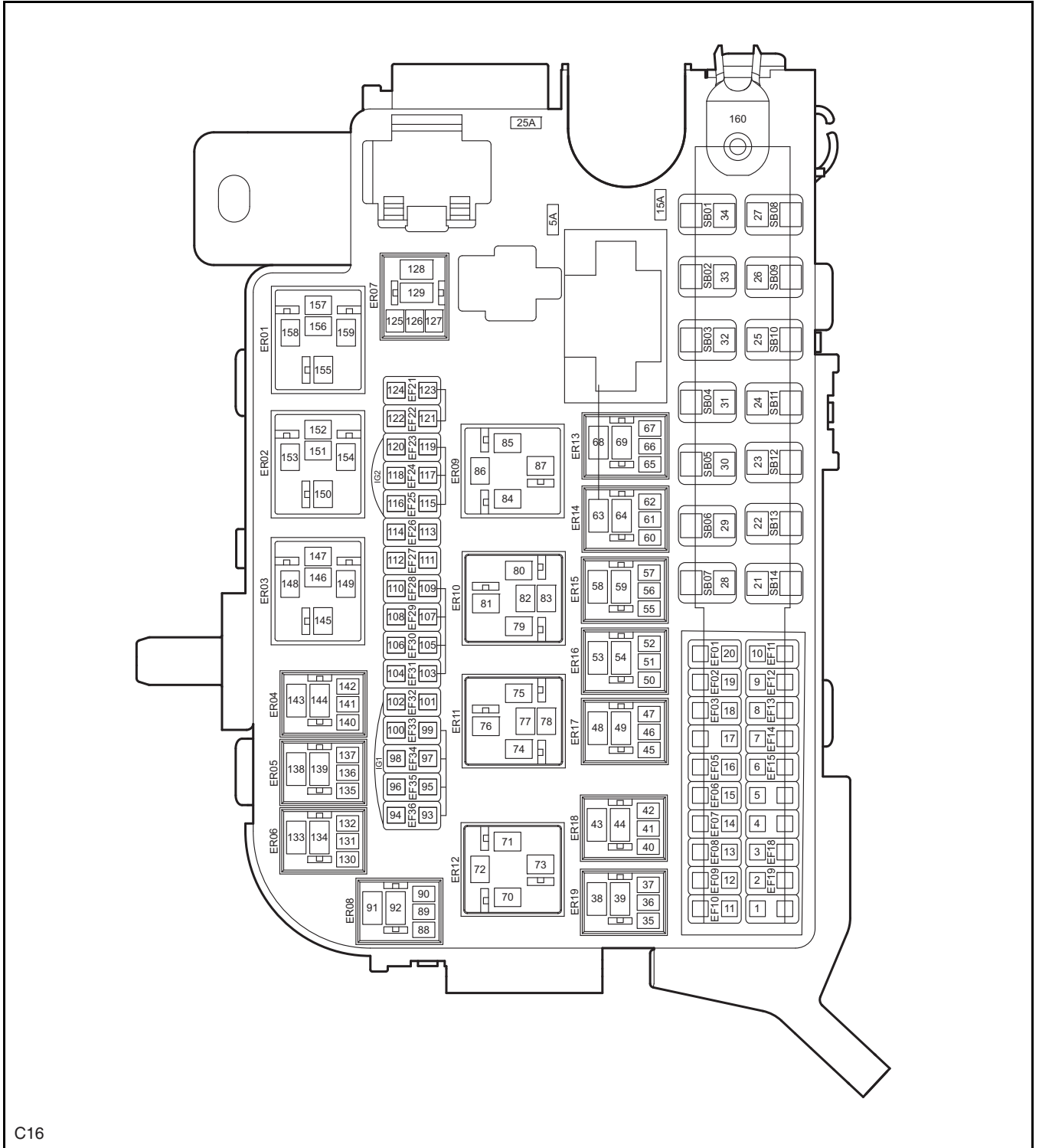


Fuel System



S6404001

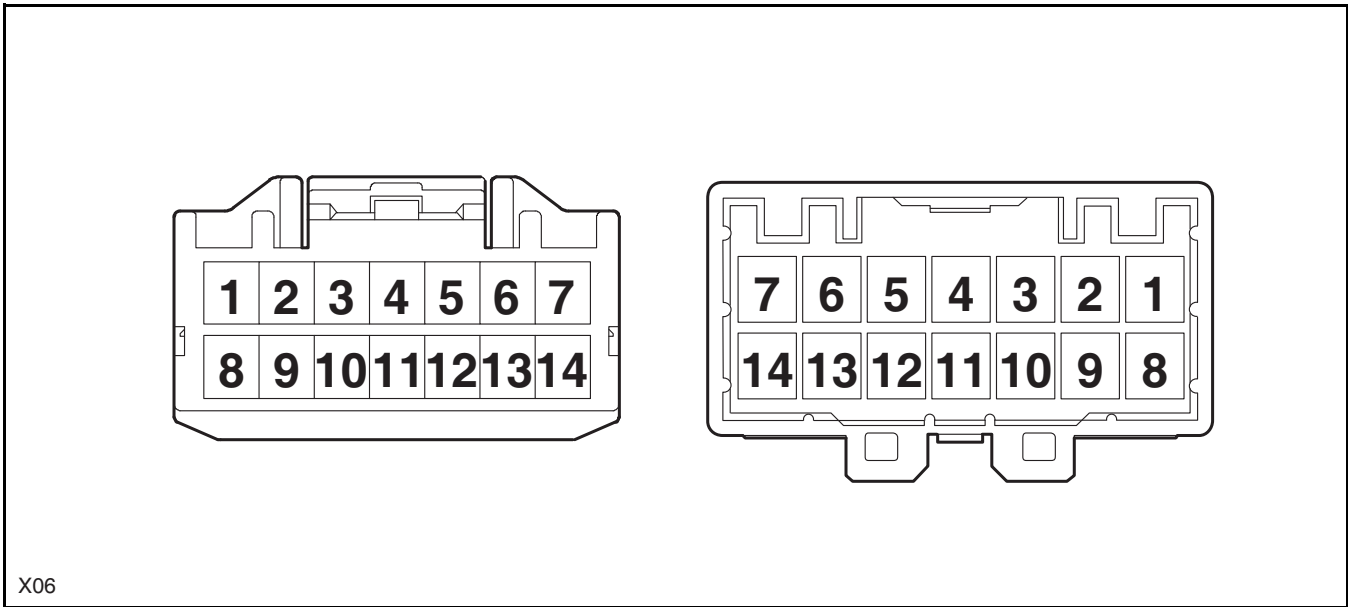
Engine Compartment Fuse Box



C16

Engine Compartment Wiring Harness to Chassis Wiring Harness A

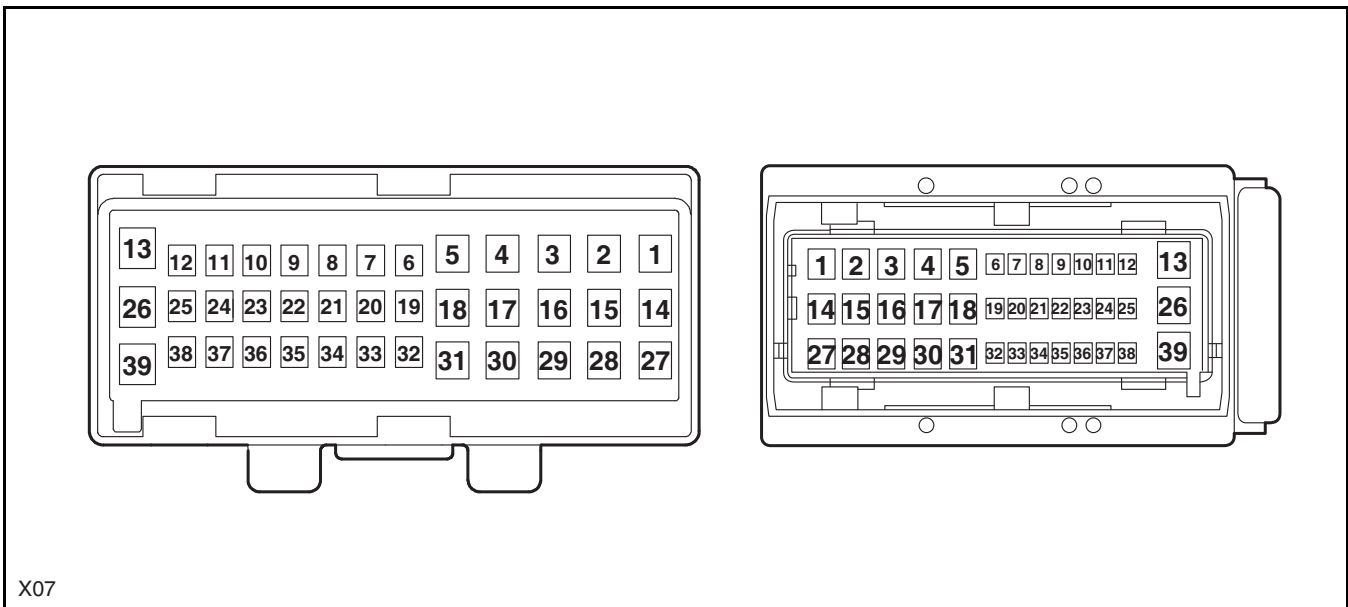
Chassis Wiring Harness to Engine Compartment Wiring Harness A



X06

Engine Compartment Wiring Harness to Instrument Panel Wiring Harness A

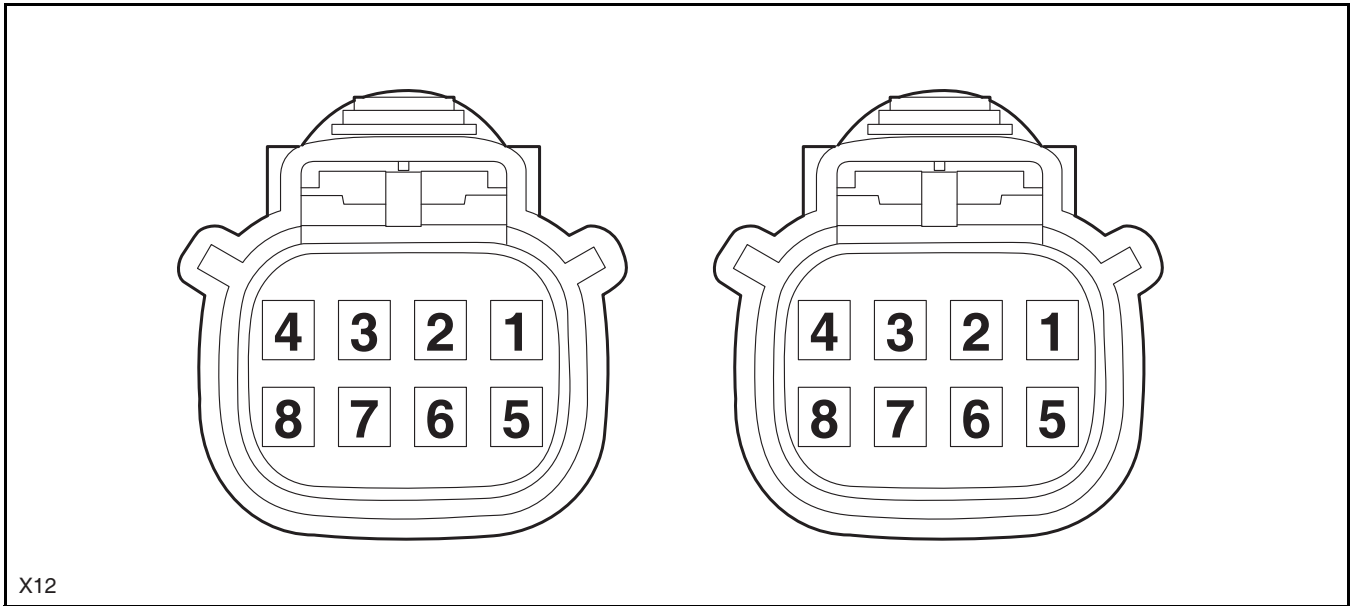
Instrument Panel Wiring Harness to Engine Compartment Wiring Harness A



X07

Engine Wiring Harness to Fuel Injector Wiring Harness

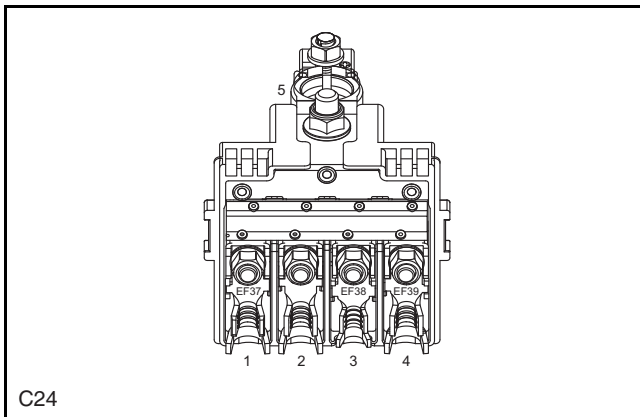
Fuel Injector Wiring Harness to Engine Wiring Harness



X12

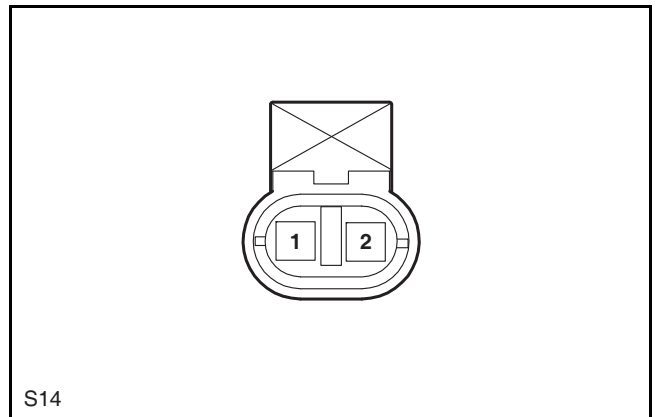
Battery Positive

ECU-A



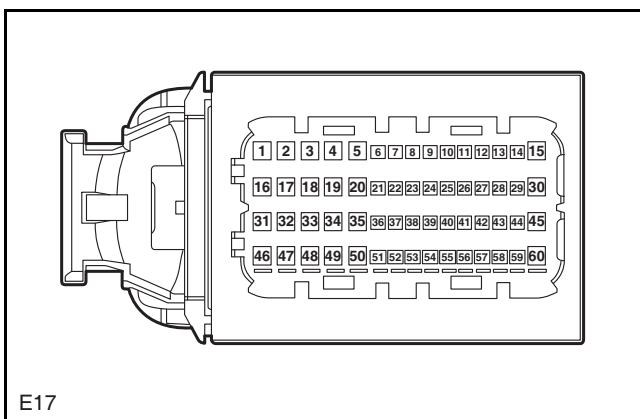
C24

ECU-B

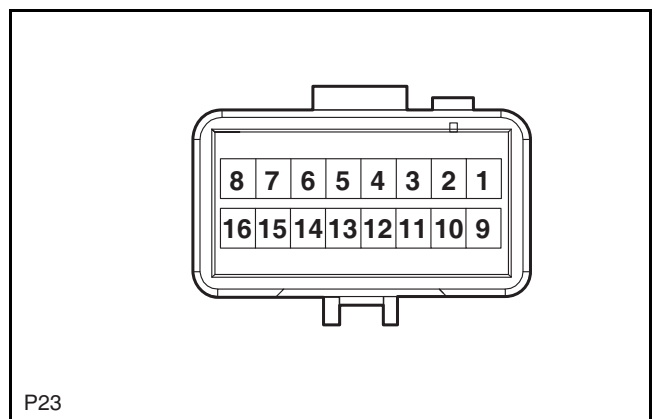


S14

IBCM-C

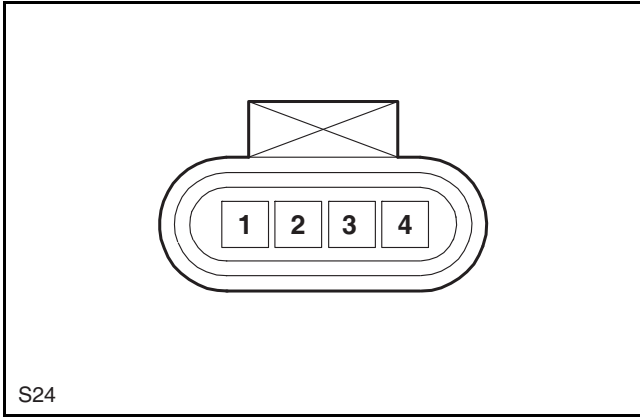


E17

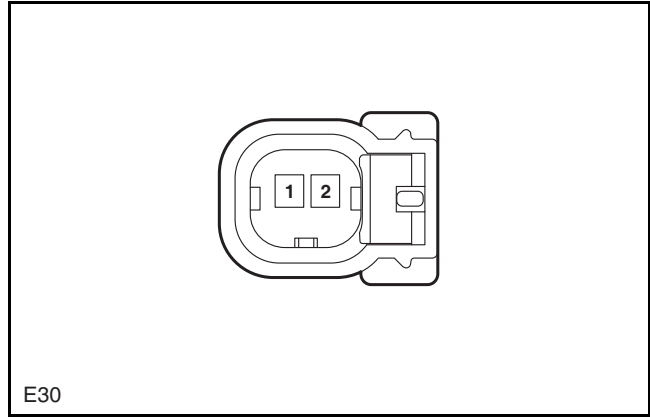


P23

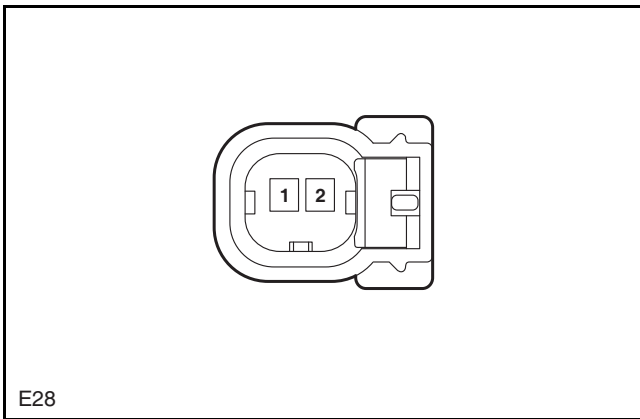
Fuel Pump



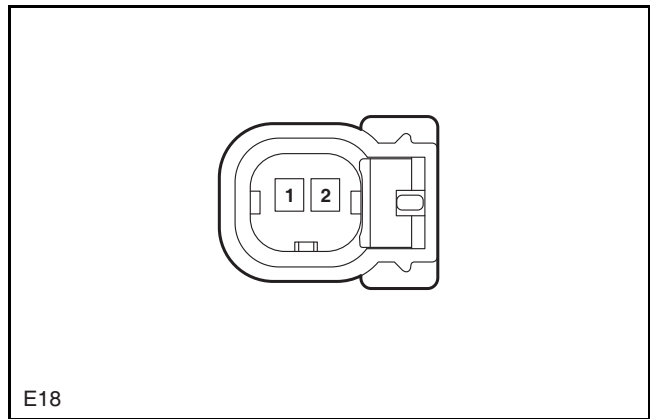
Fuel Injector 1



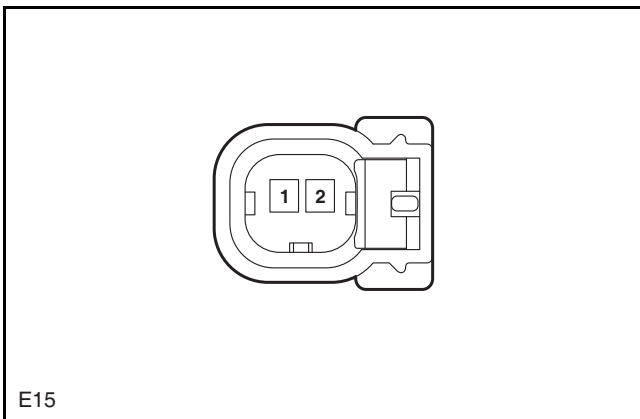
Fuel Injector 2



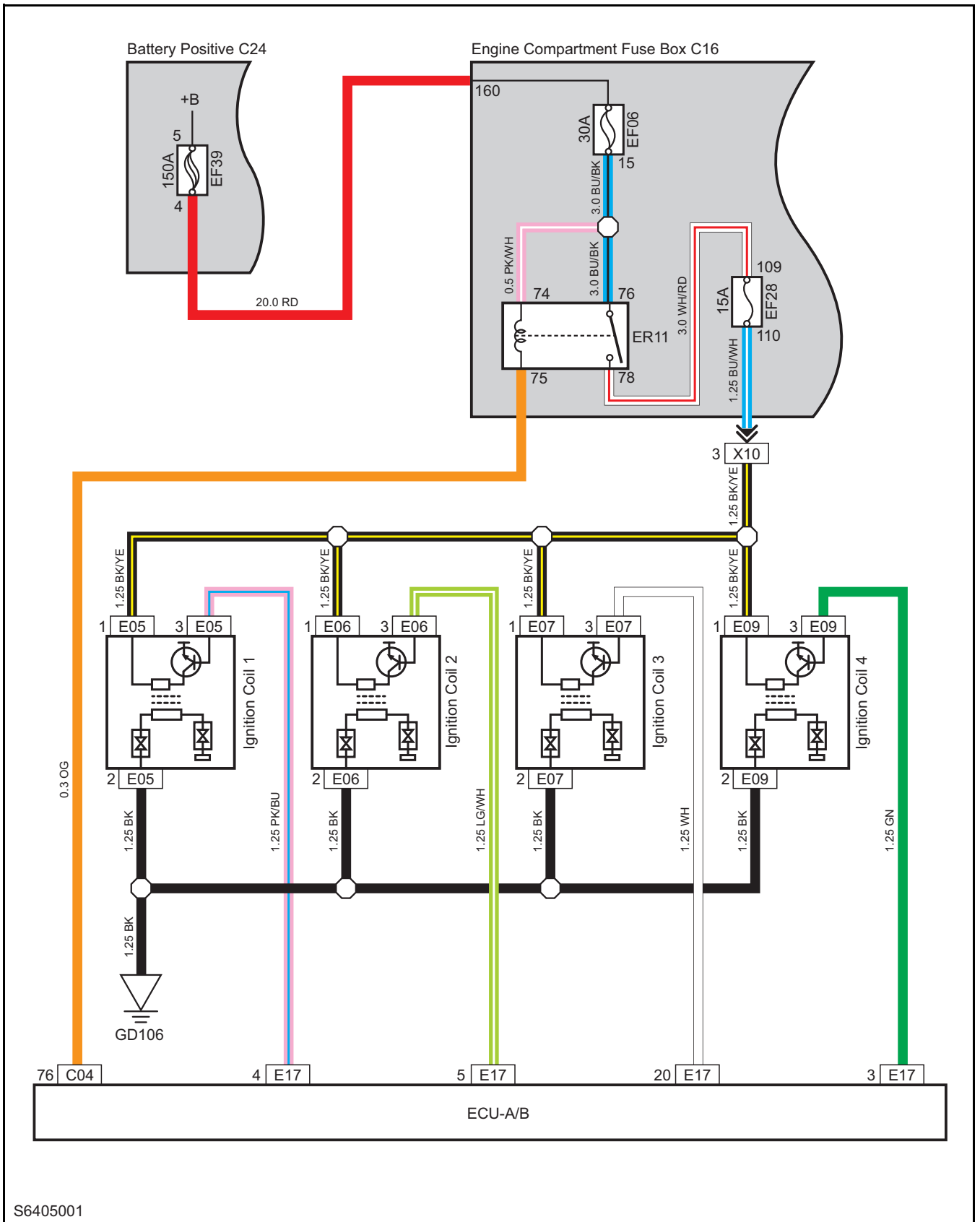
Fuel Injector 3



Fuel Injector 4

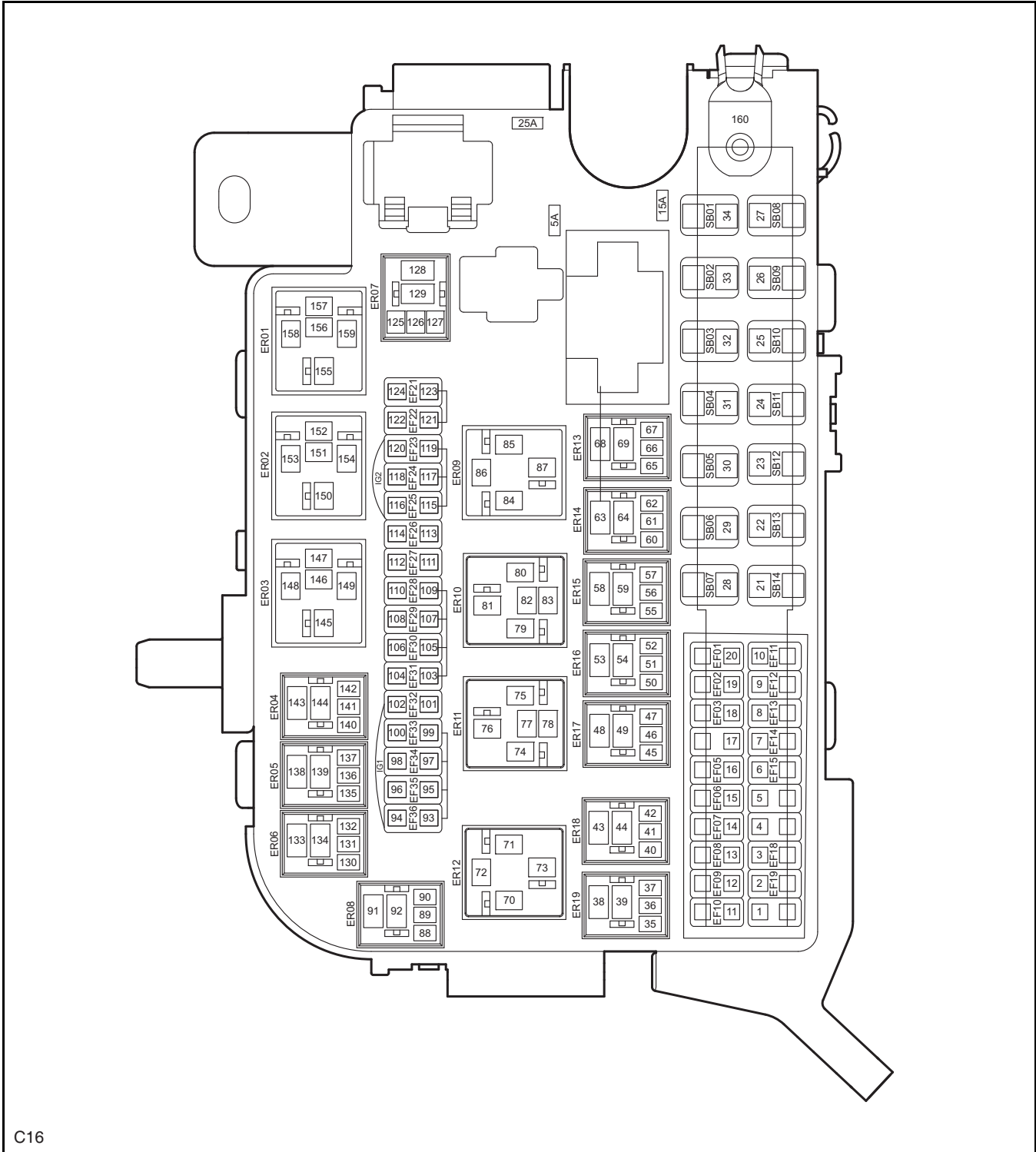


Ignition System



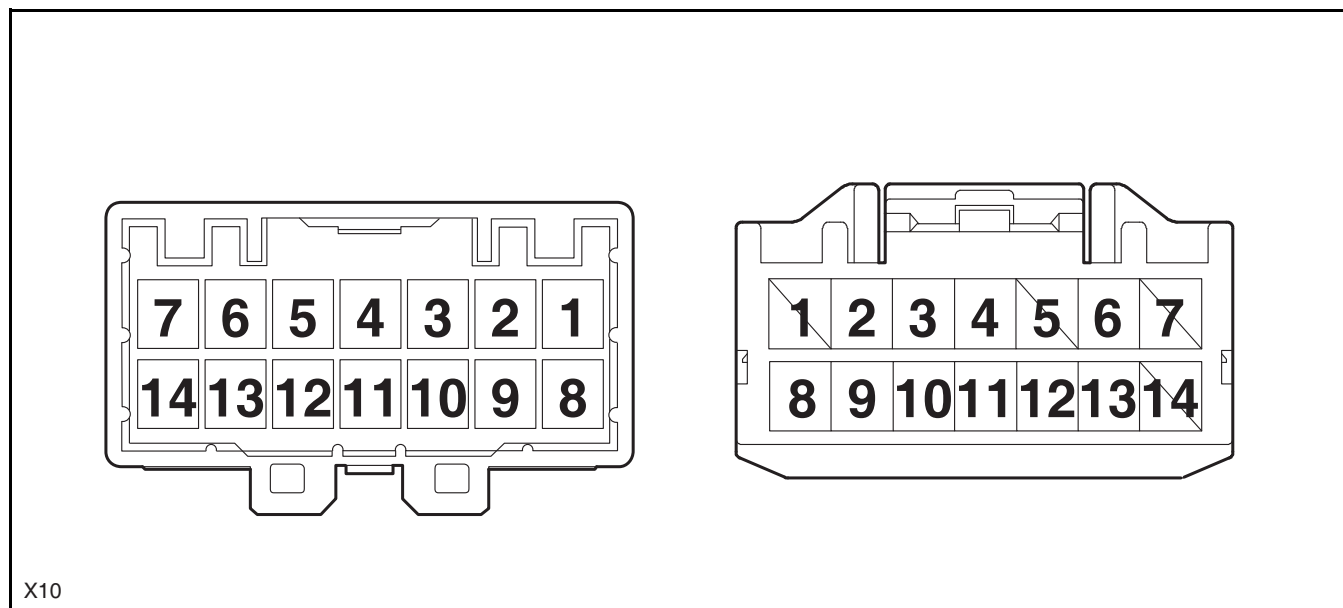
S6405001

Engine Compartment Fuse Box



Engine Compartment Wiring Harness to Engine Wiring
Harness B

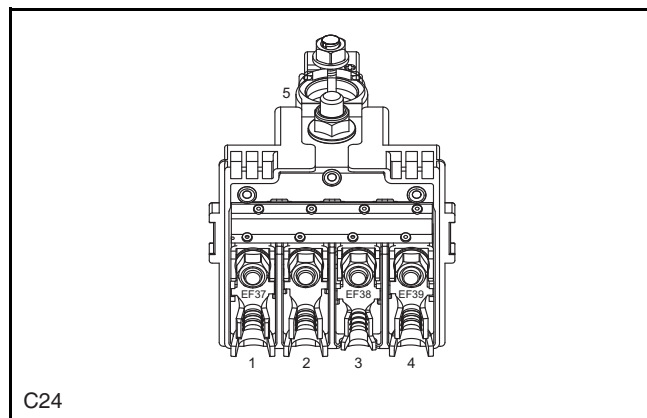
Engine Wiring Harness to Engine Compartment Wiring
Harness B



X10

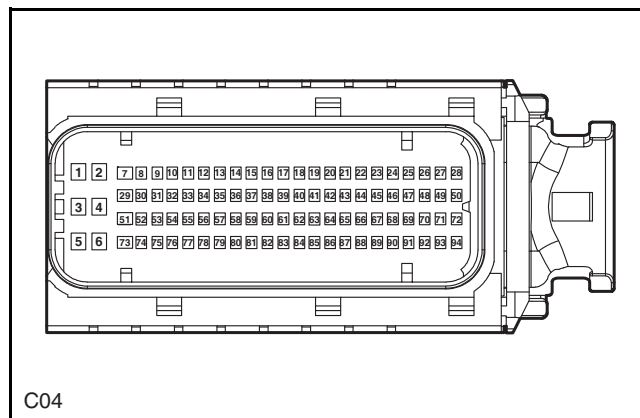
Battery Positive

ECU-A



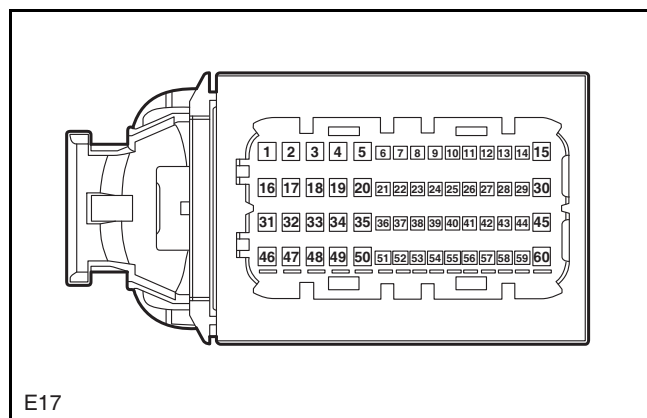
C24

ECU-B

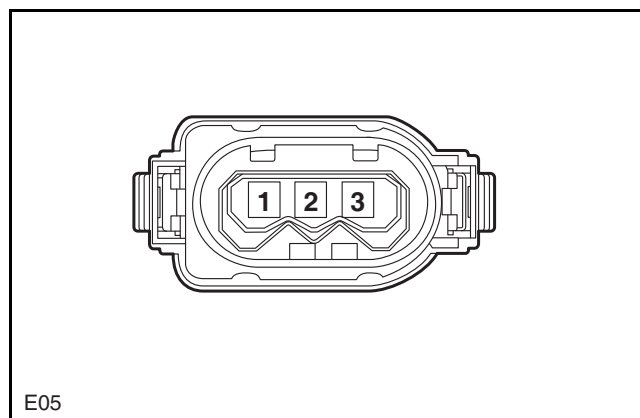


C04

Ignition Coil 1

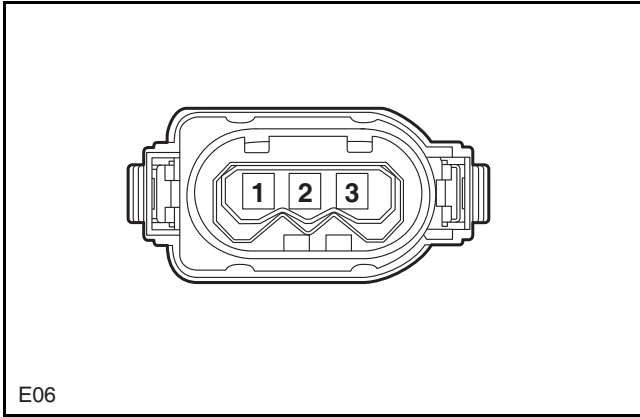


E17

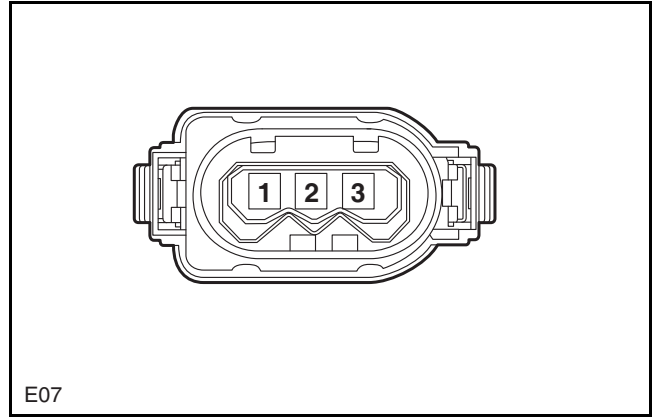


E05

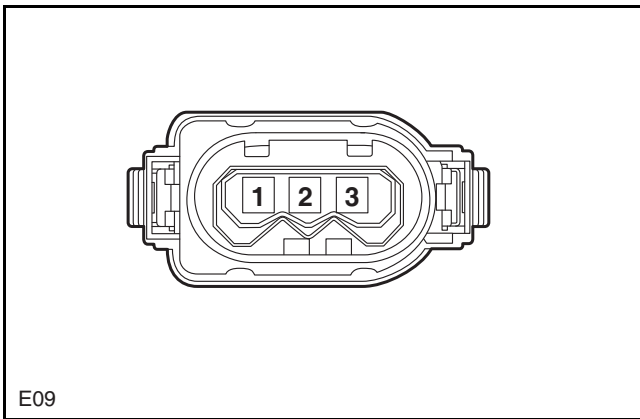
Ignition Coil 2



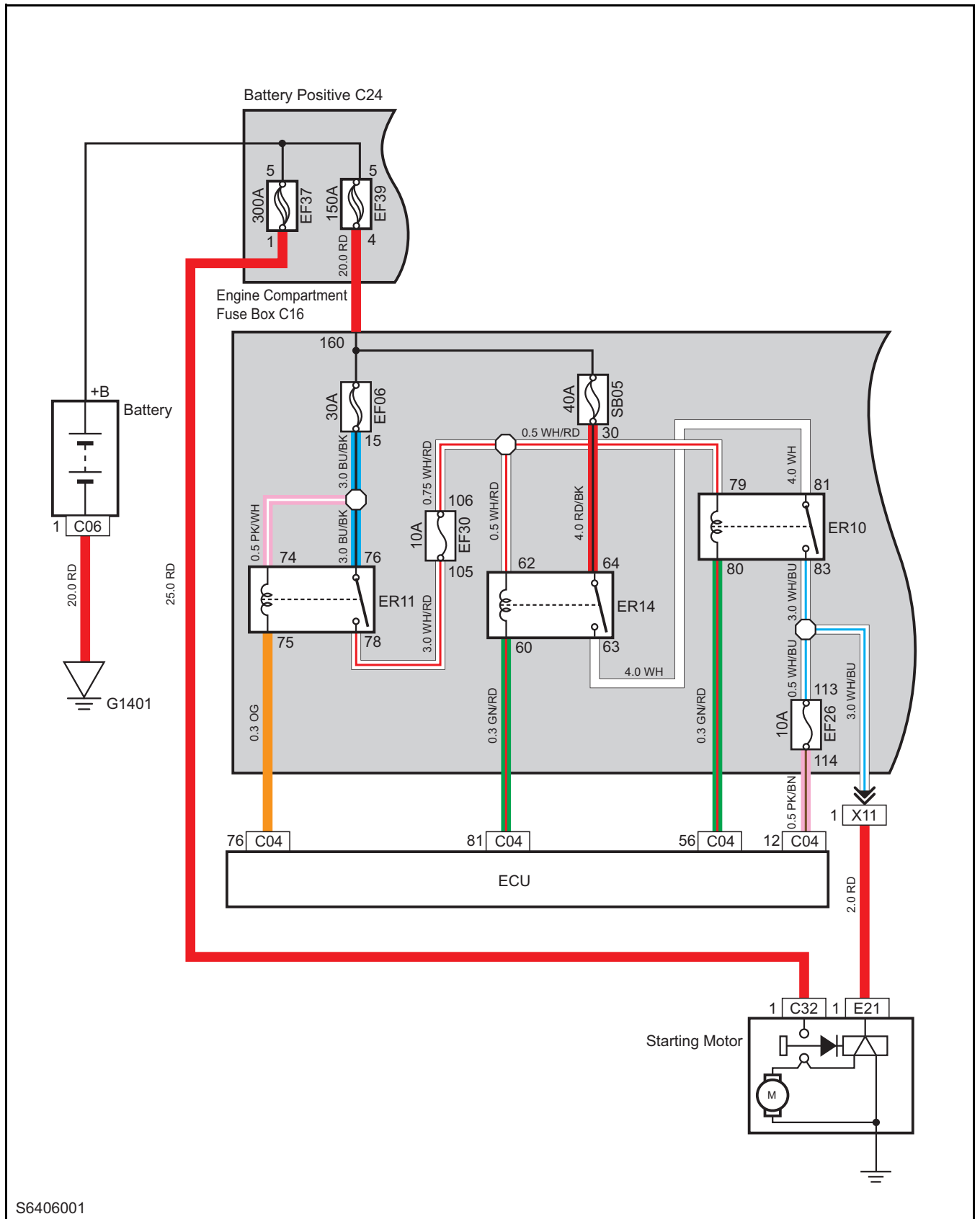
Ignition Coil 3



Ignition Coil 4

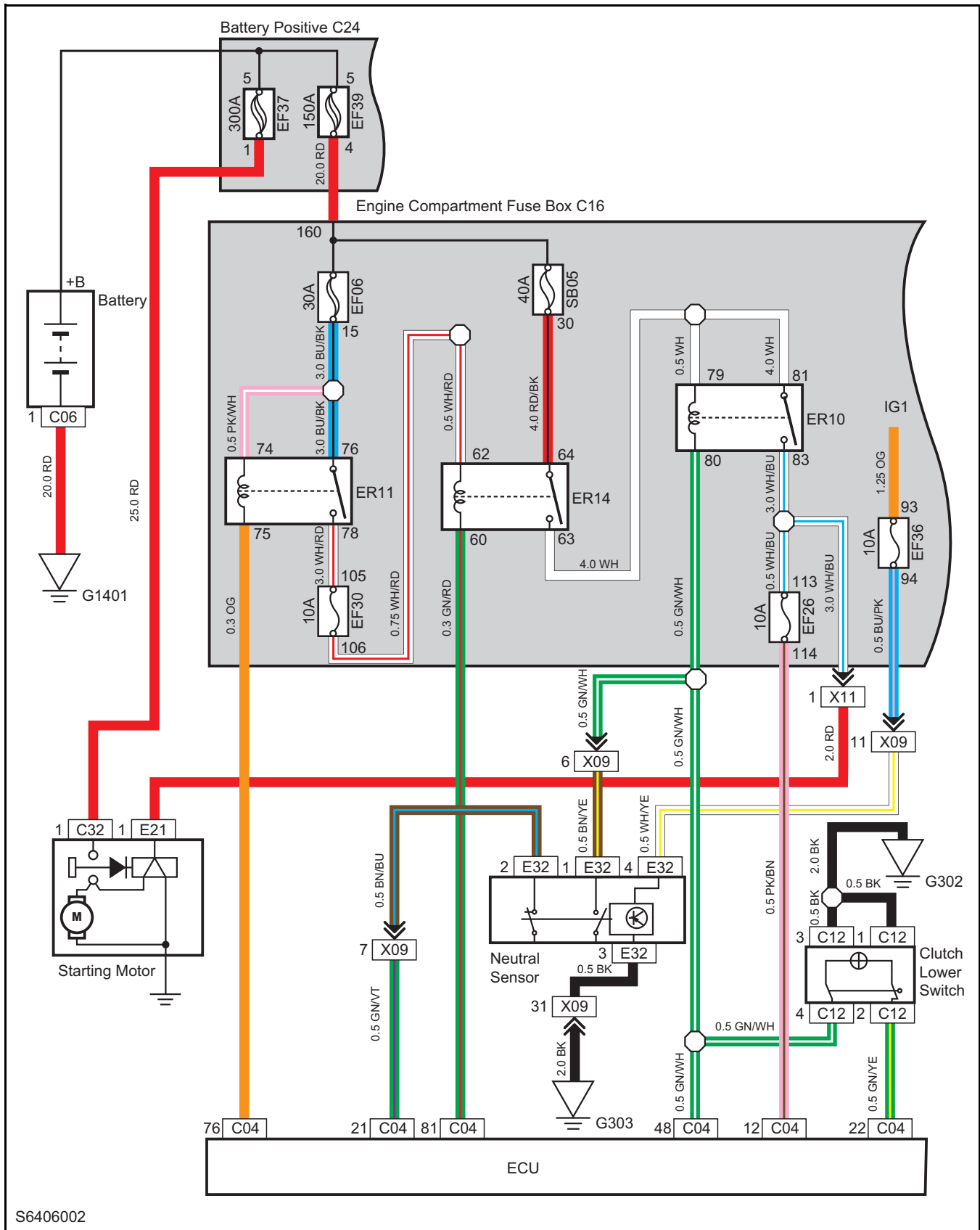


Starting System - AT

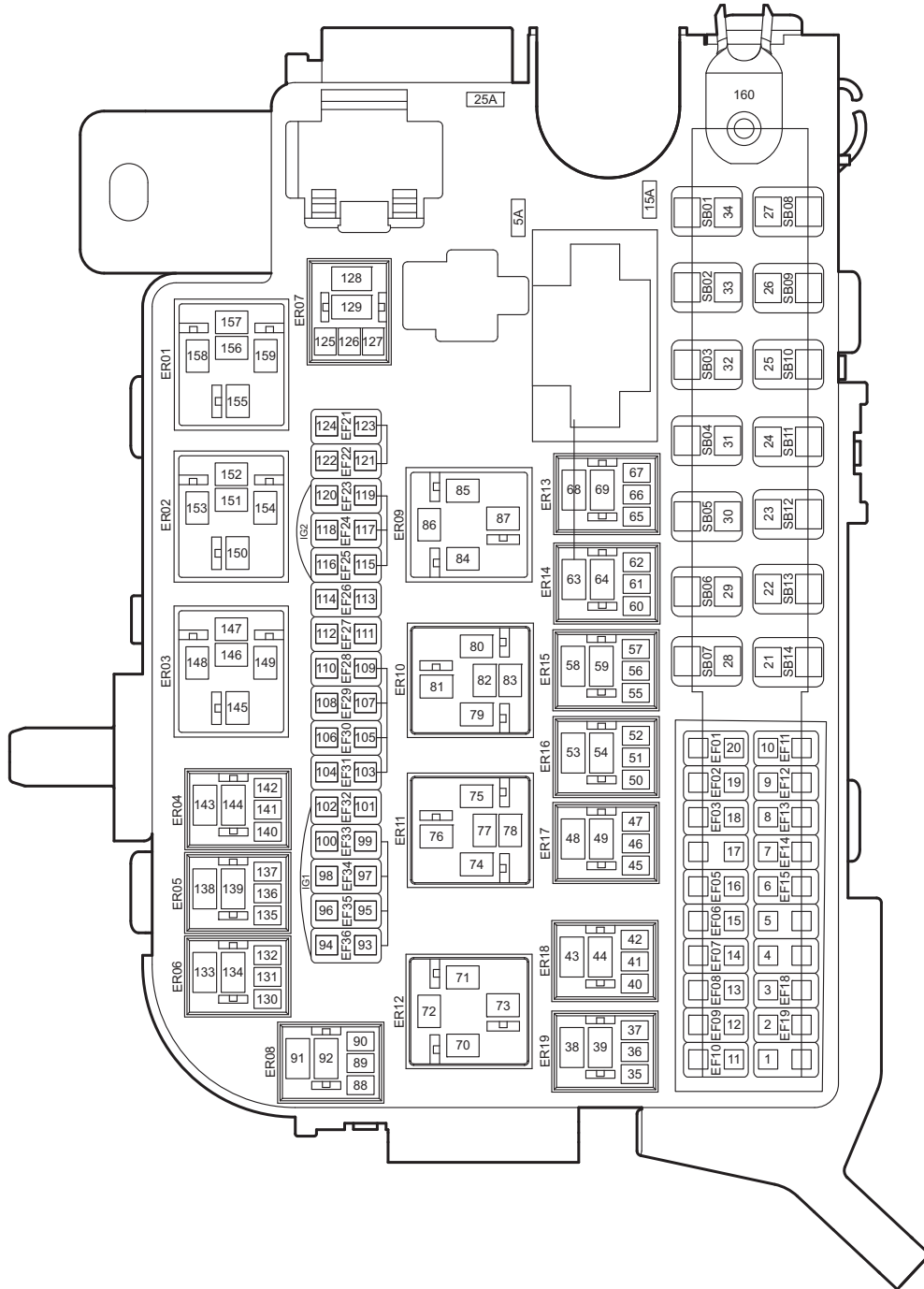


S6406001

Starting System - MT



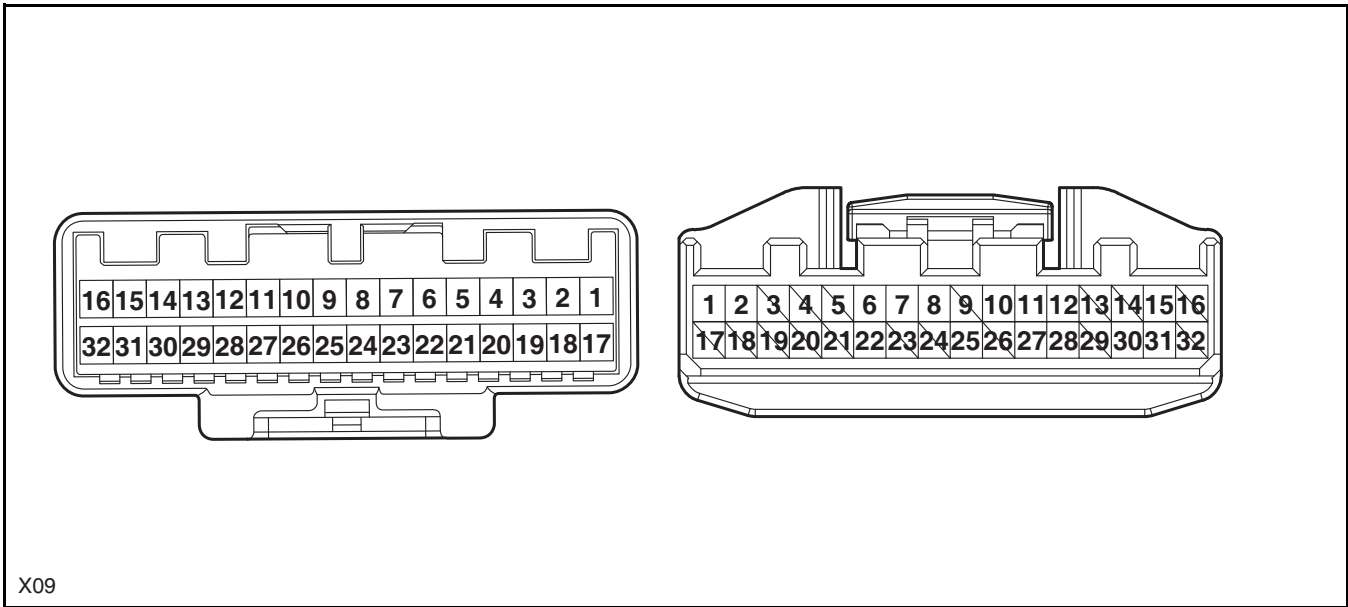
Engine Compartment Fuse Box



C16

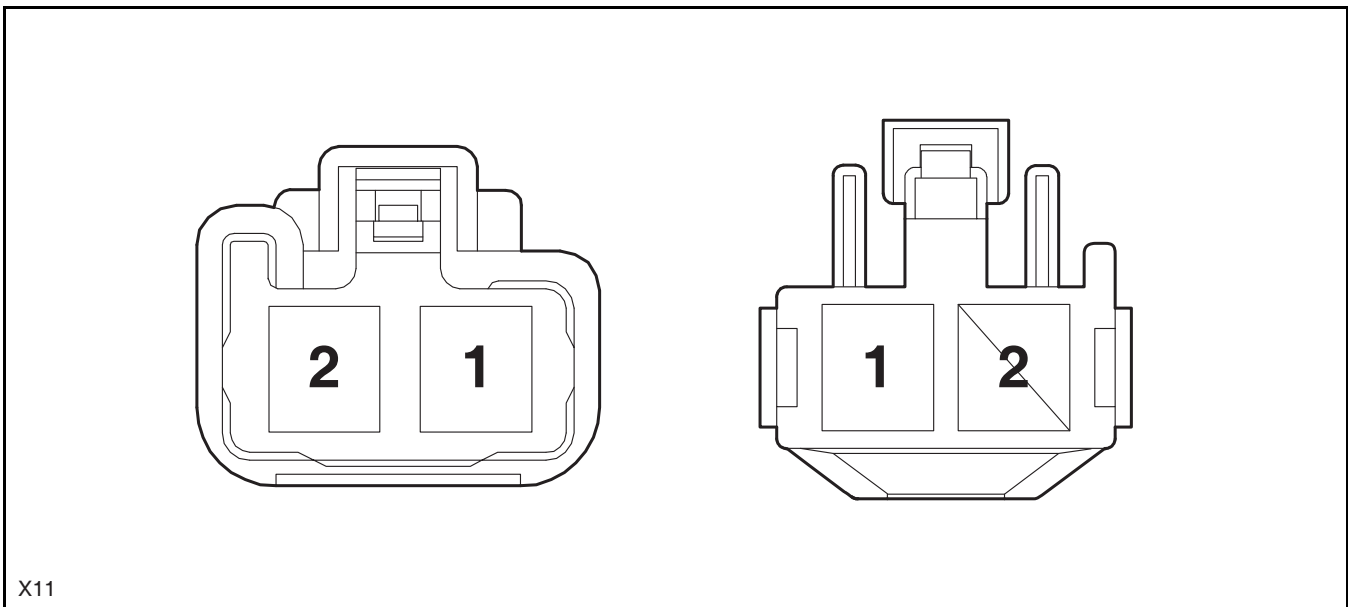
Engine Compartment Wiring Harness to Engine Wiring Harness A

Engine Wiring Harness to Engine Compartment Wiring Harness A

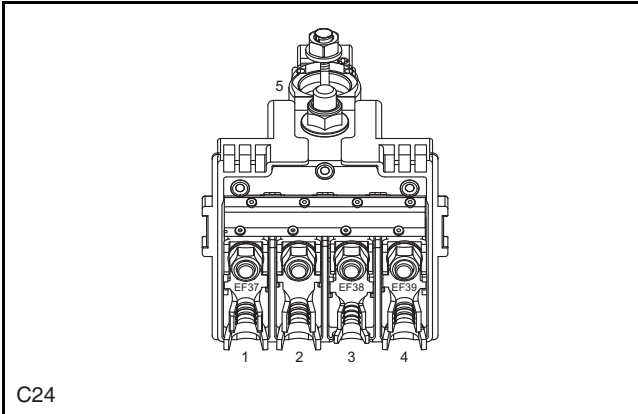


Engine Compartment Wiring Harness to Engine Wiring Harness C

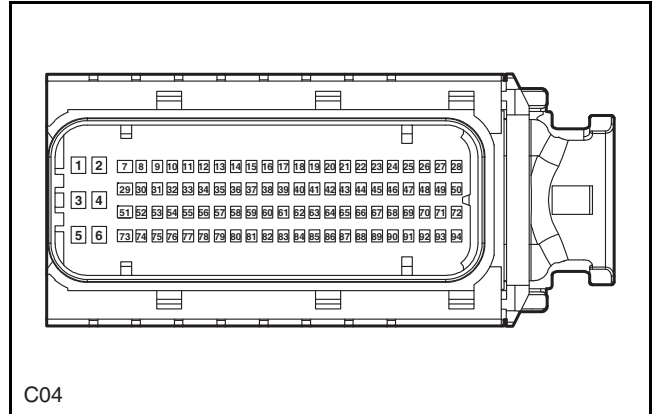
Engine Wiring Harness to Engine Compartment Wiring Harness C



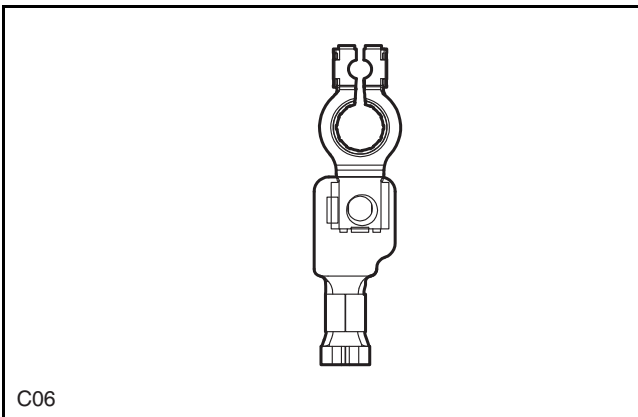
Battery Positive



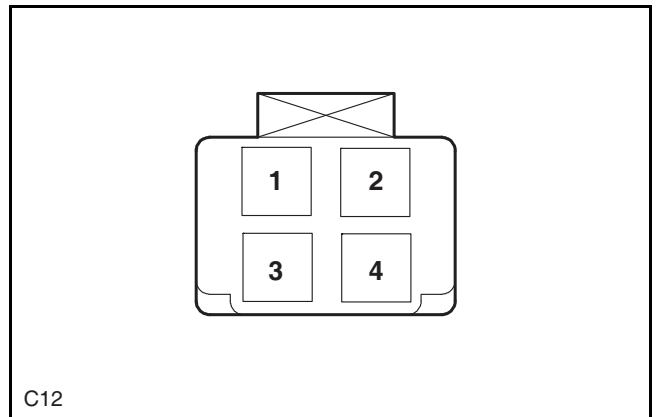
ECU-A



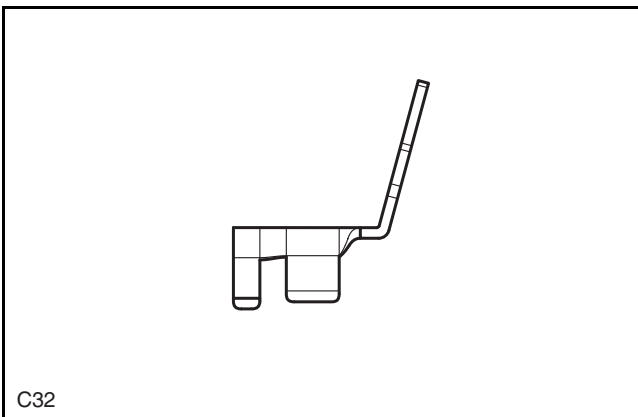
Battery Negative



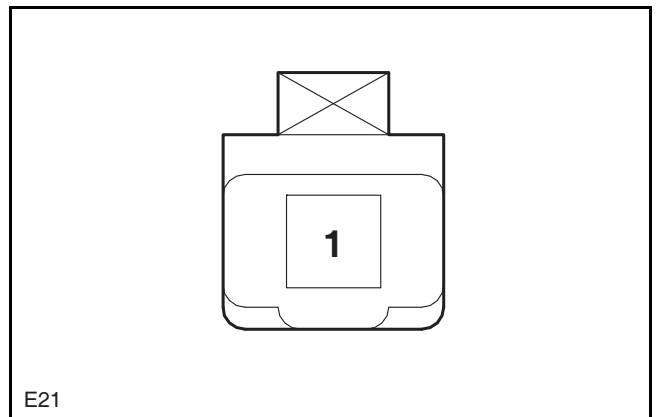
Clutch Lower Switch



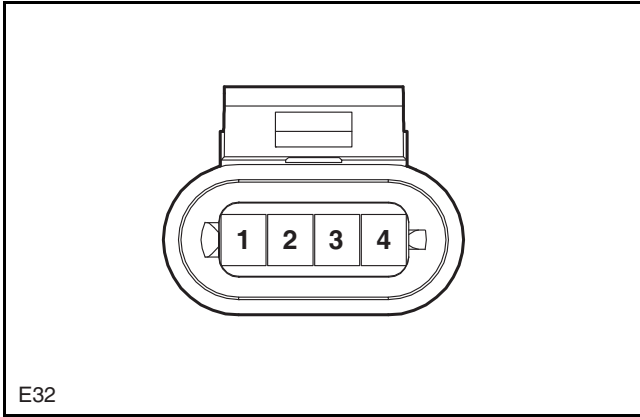
Starting Motor Power Supply



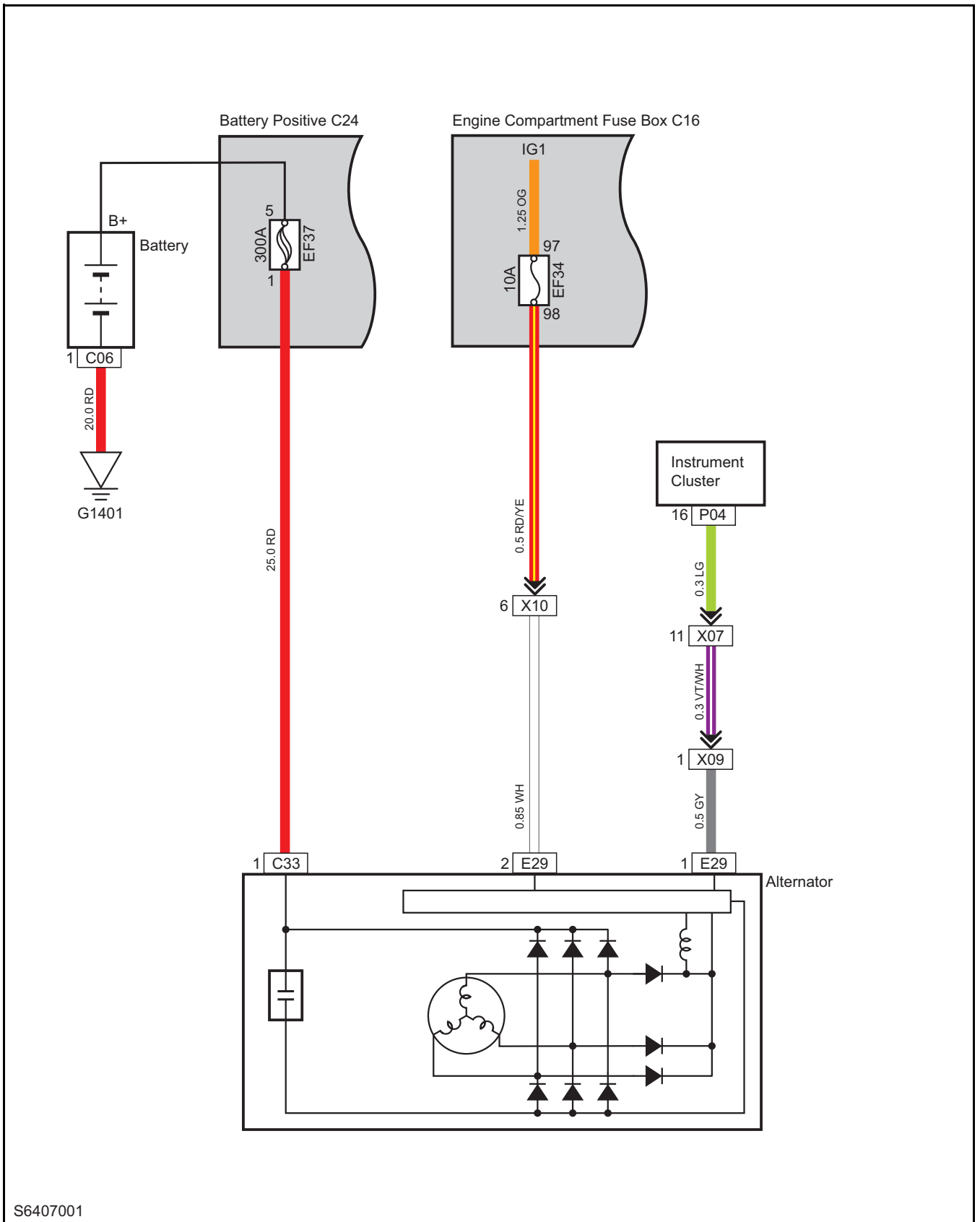
Starting Motor



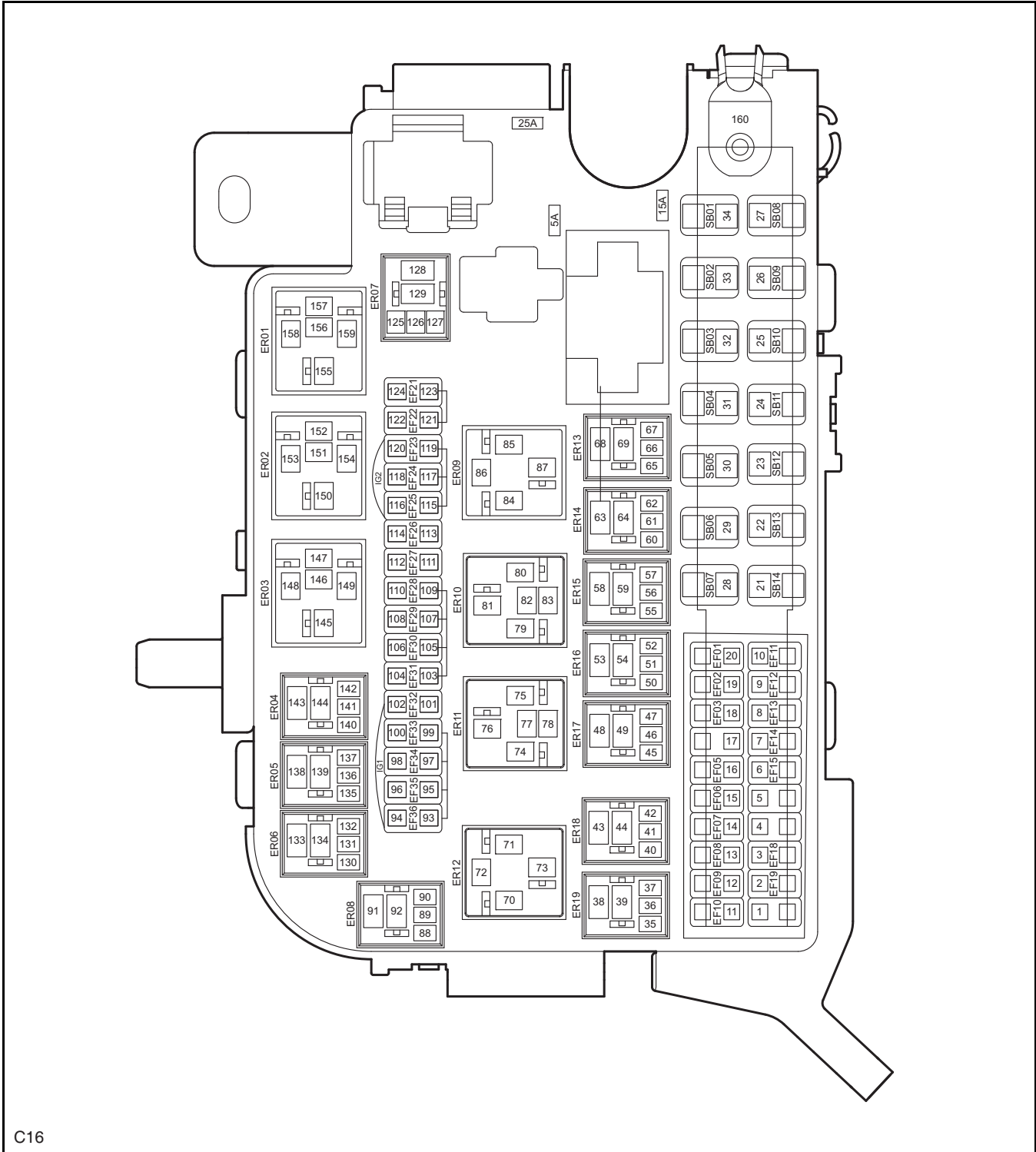
Neutral Sensor (MT)



Charging System



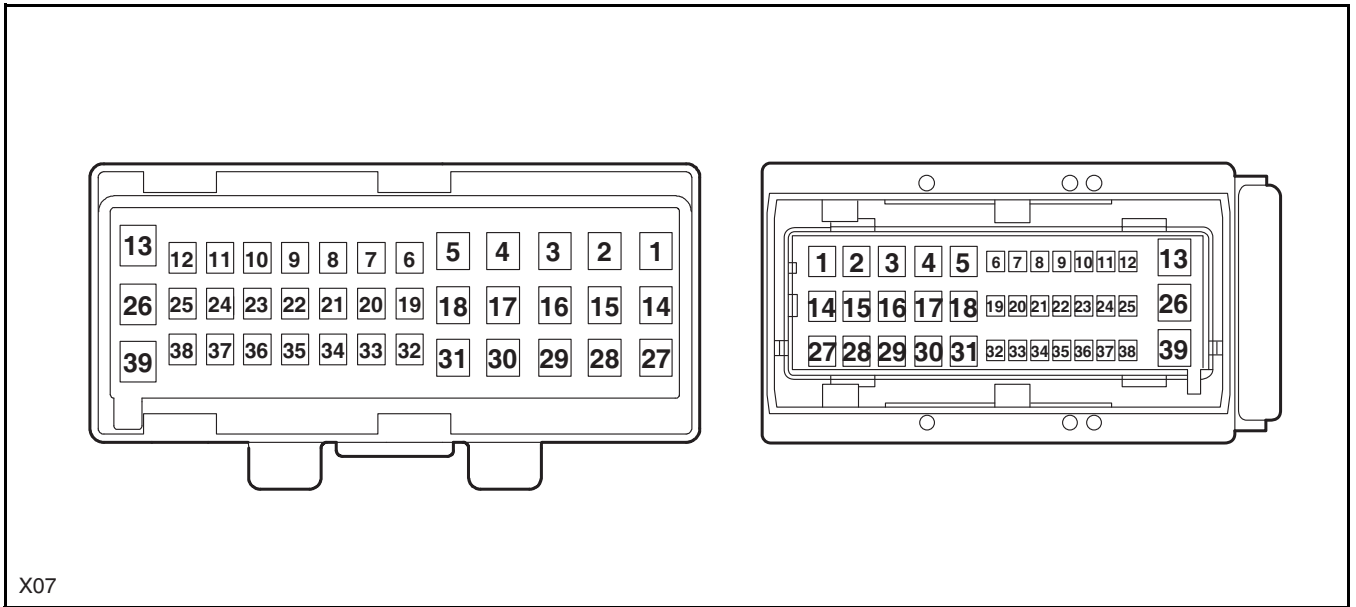
Engine Compartment Fuse Box



C16

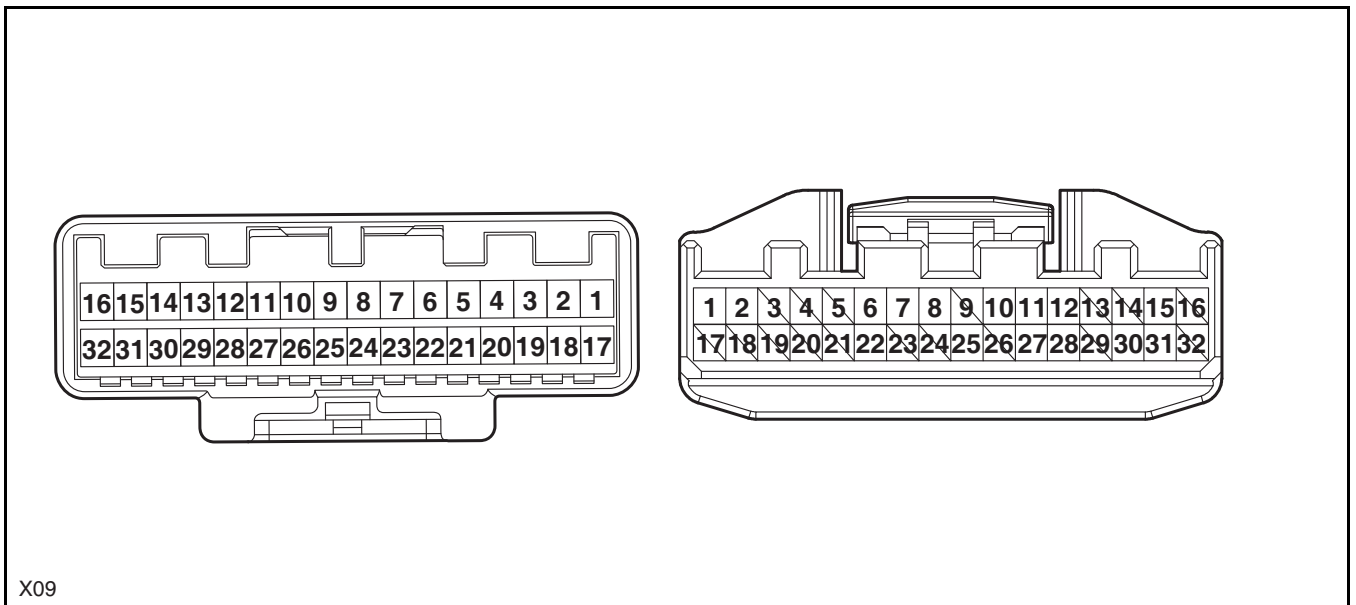
Engine Compartment Wiring Harness to Instrument Panel Wiring Harness A

Instrument Panel Wiring Harness to Engine Compartment Wiring Harness A



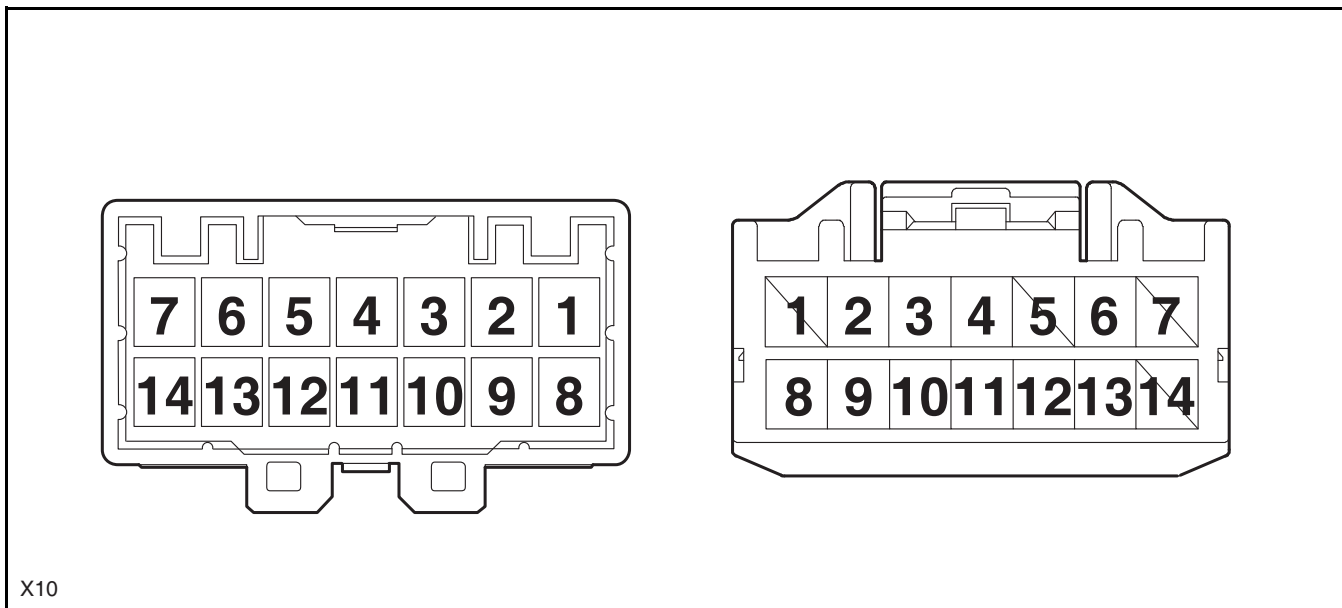
Engine Compartment Wiring Harness to Engine Wiring Harness A

Engine Wiring Harness to Engine Compartment Wiring Harness A



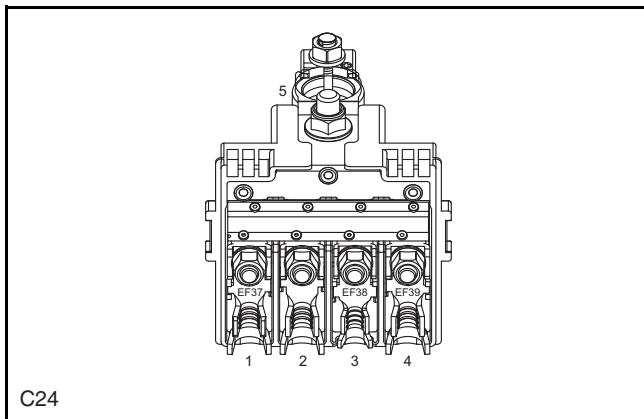
Engine Compartment Wiring Harness to Engine Wiring
Harness B

Engine Wiring Harness to Engine Compartment Wiring
Harness B

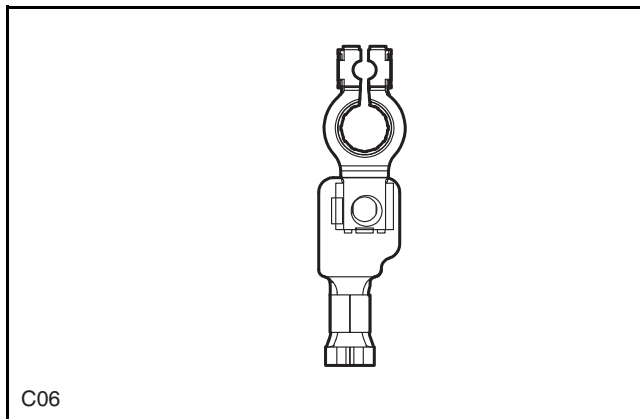


Battery Positive

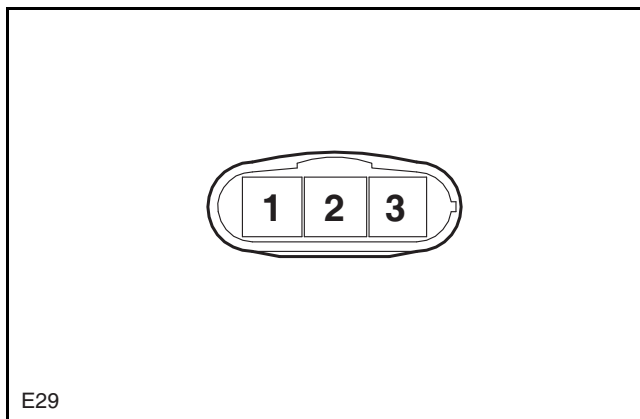
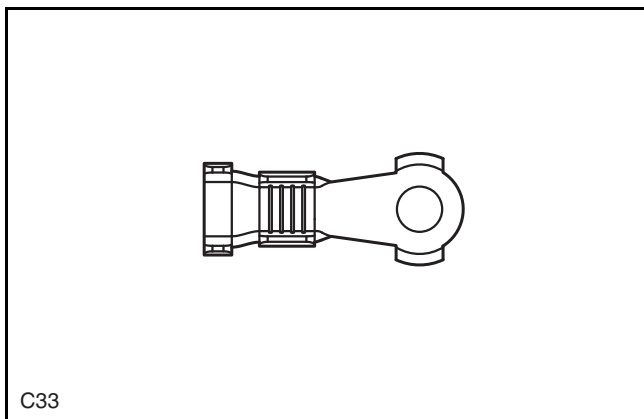
Battery Negative



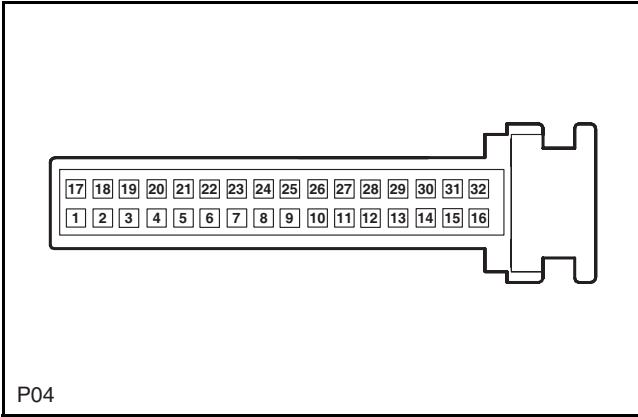
Alternator Power Supply



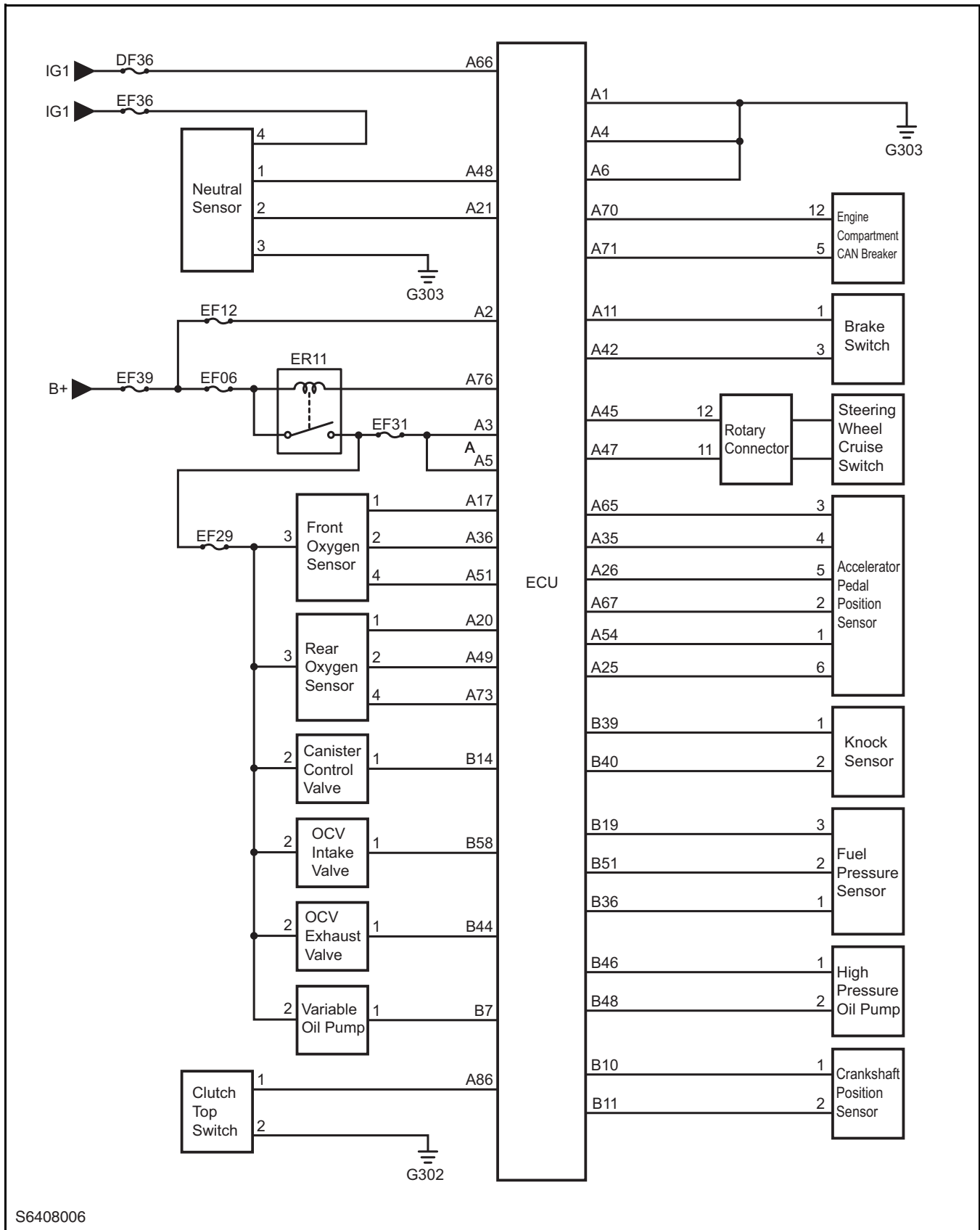
Alternator



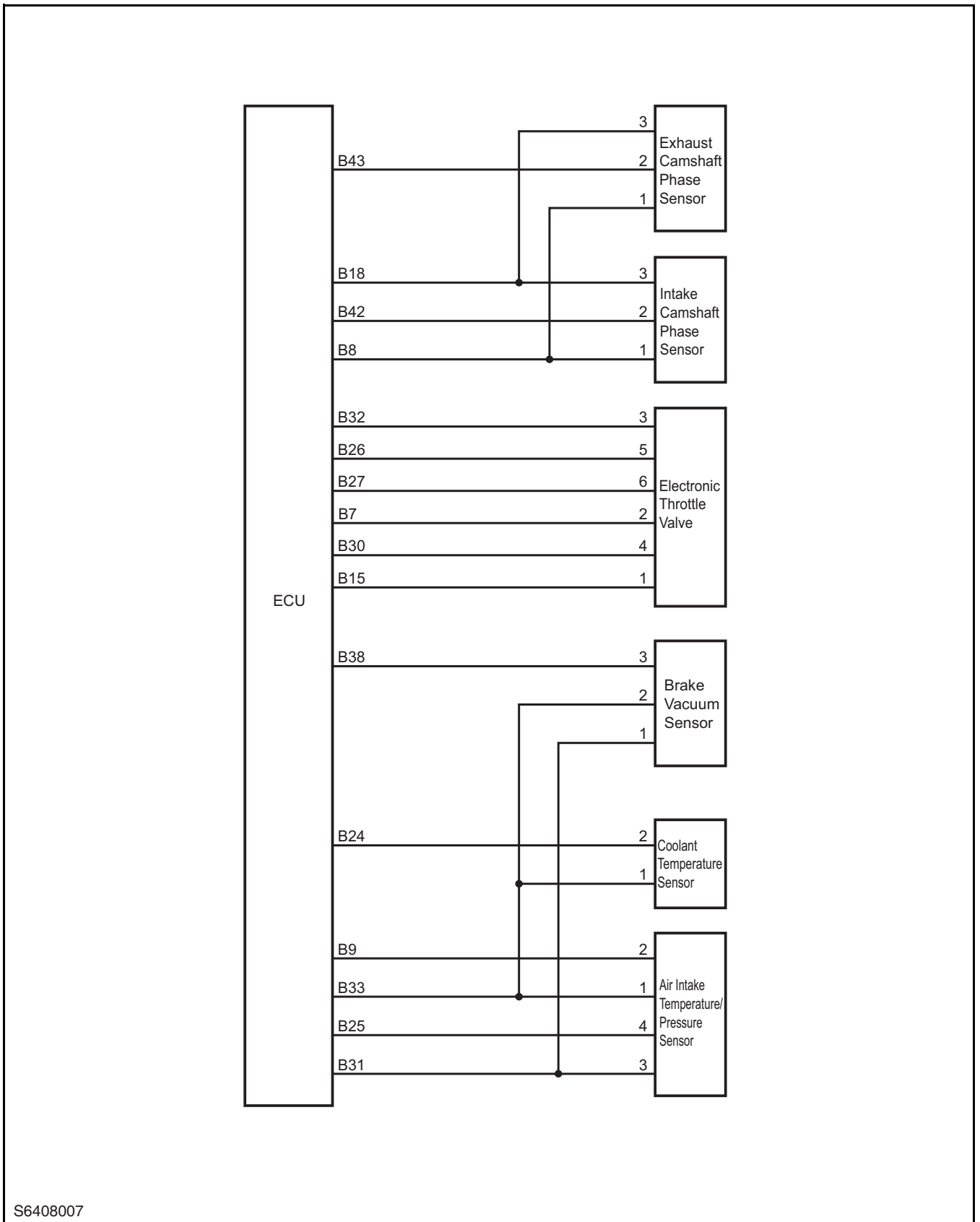
Instrument Cluster



Electronic Control System - 1

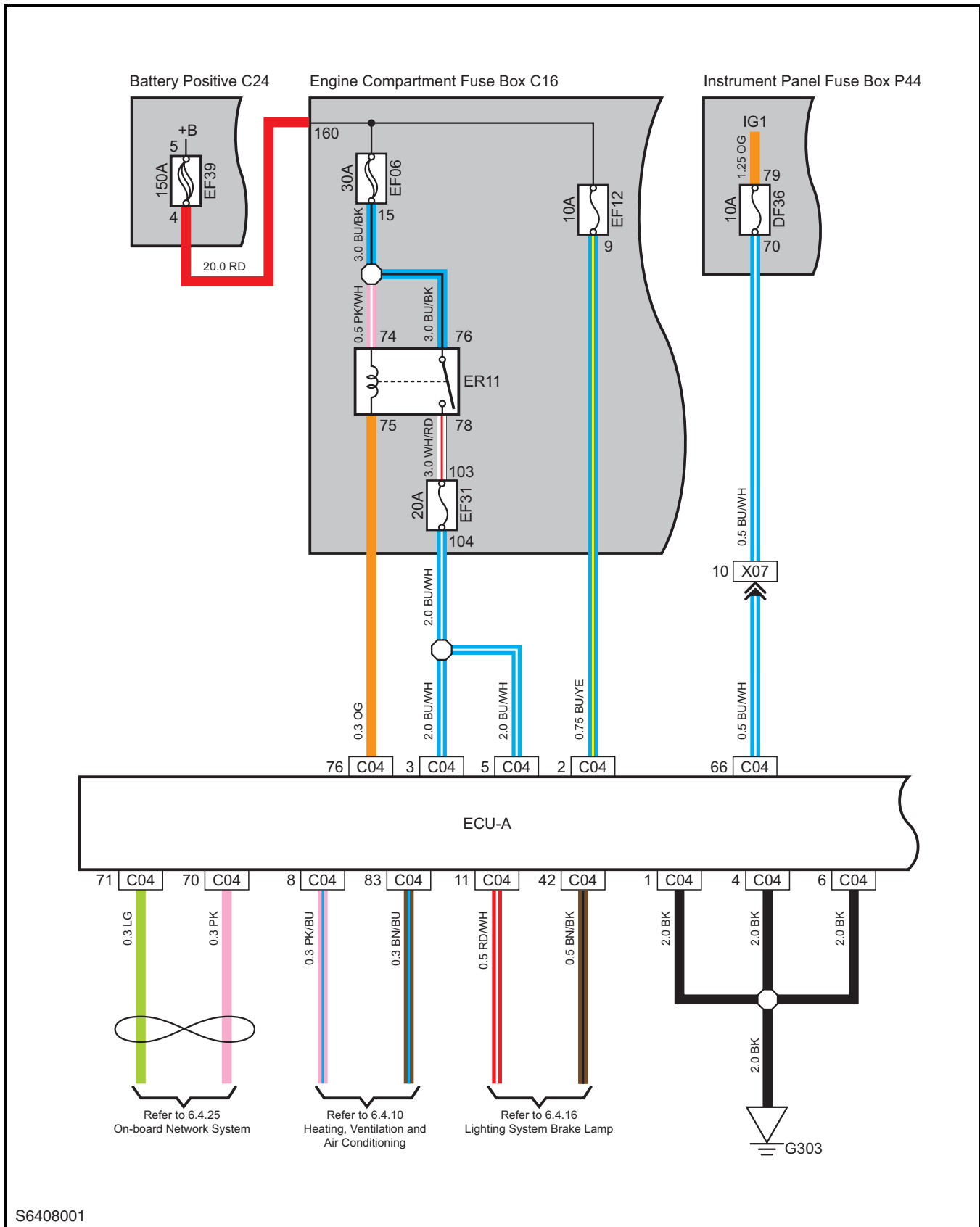


Electronic Control System - 2



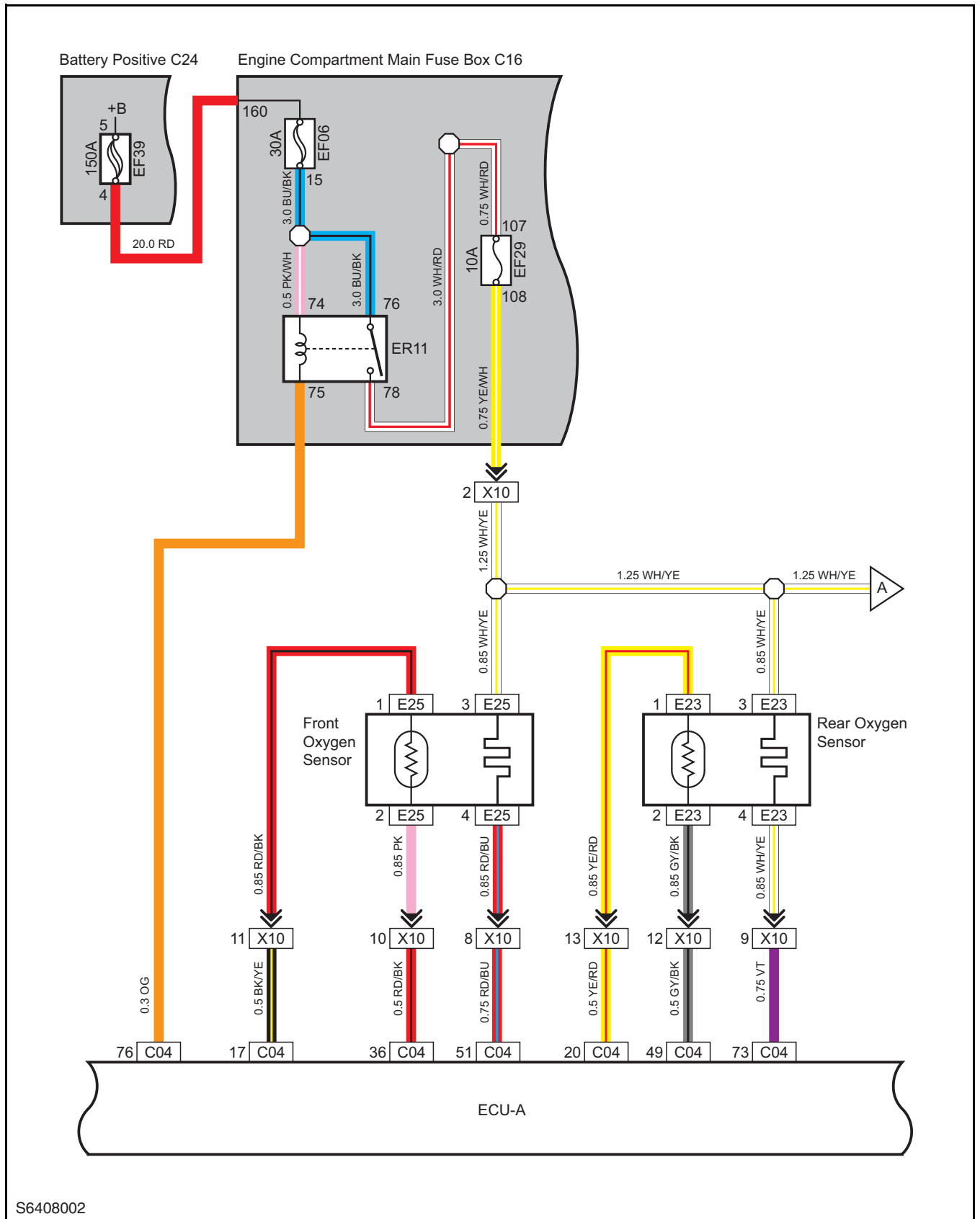
S6408007

Power Supply



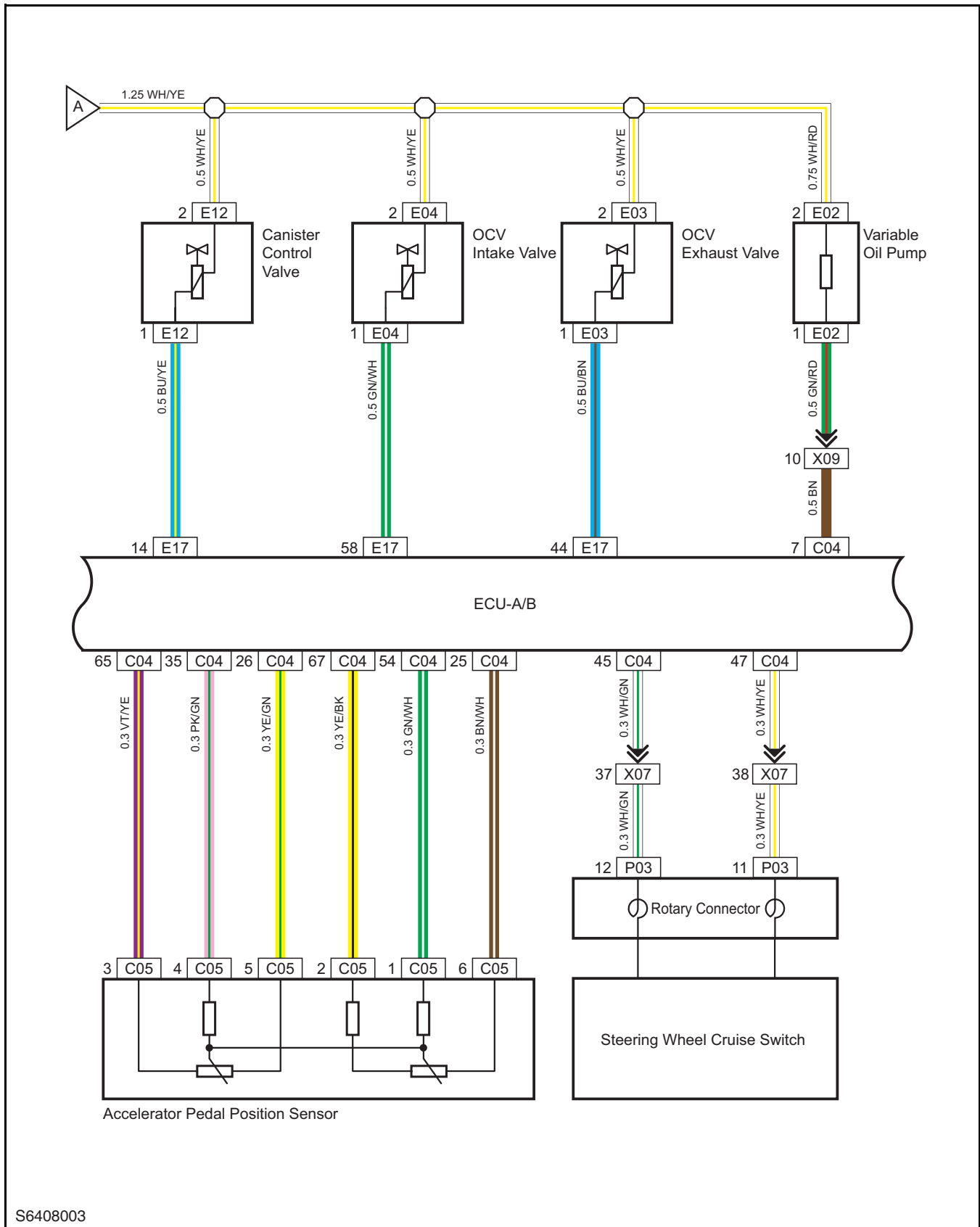
S6408001

Oxygen Sensor

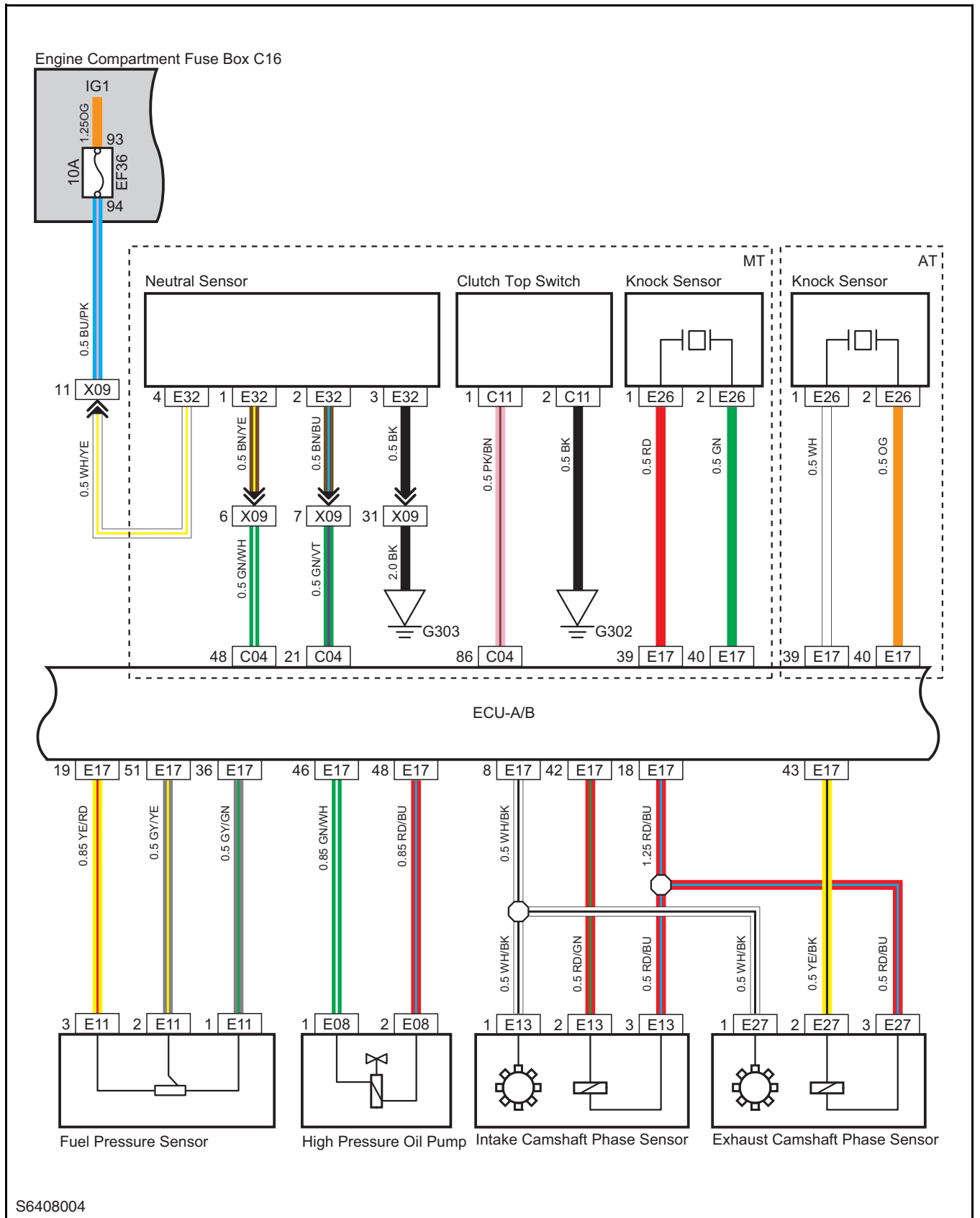


S6408002

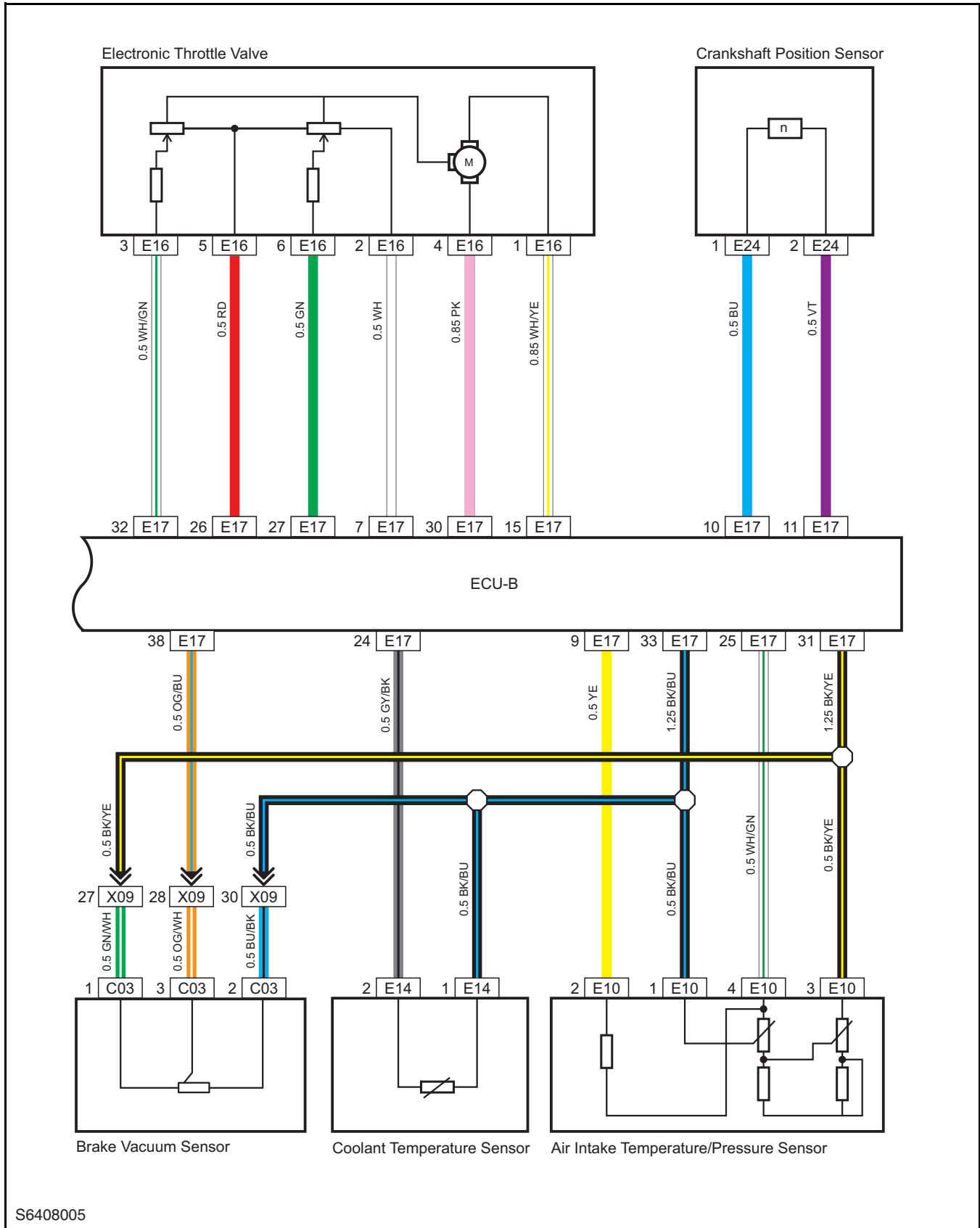
Control Valve/Accelerator Pedal/Constant Speed Cruise



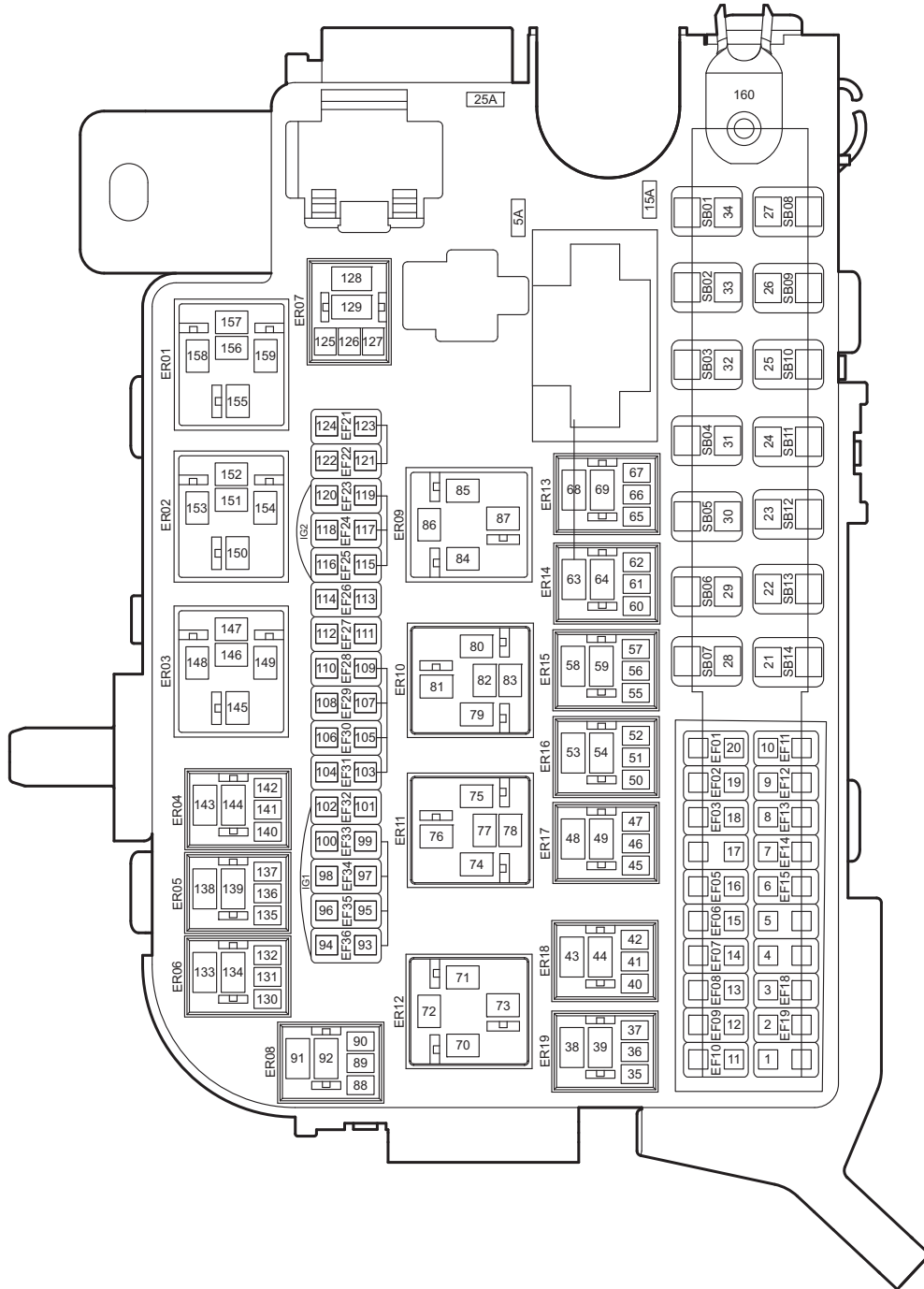
Neutral Sensor/Clutch Top Switch/Knock Sensor/Fuel Pressure Sensor/High Pressure Oil Pump/Camshaft Phase Sensor



Electronic Throttle Valve/Crankshaft Position Sensor/Brake Vacuum Sensor/
Coolant Temperature Sensor/Air Intake Temperature/Pressure Sensor

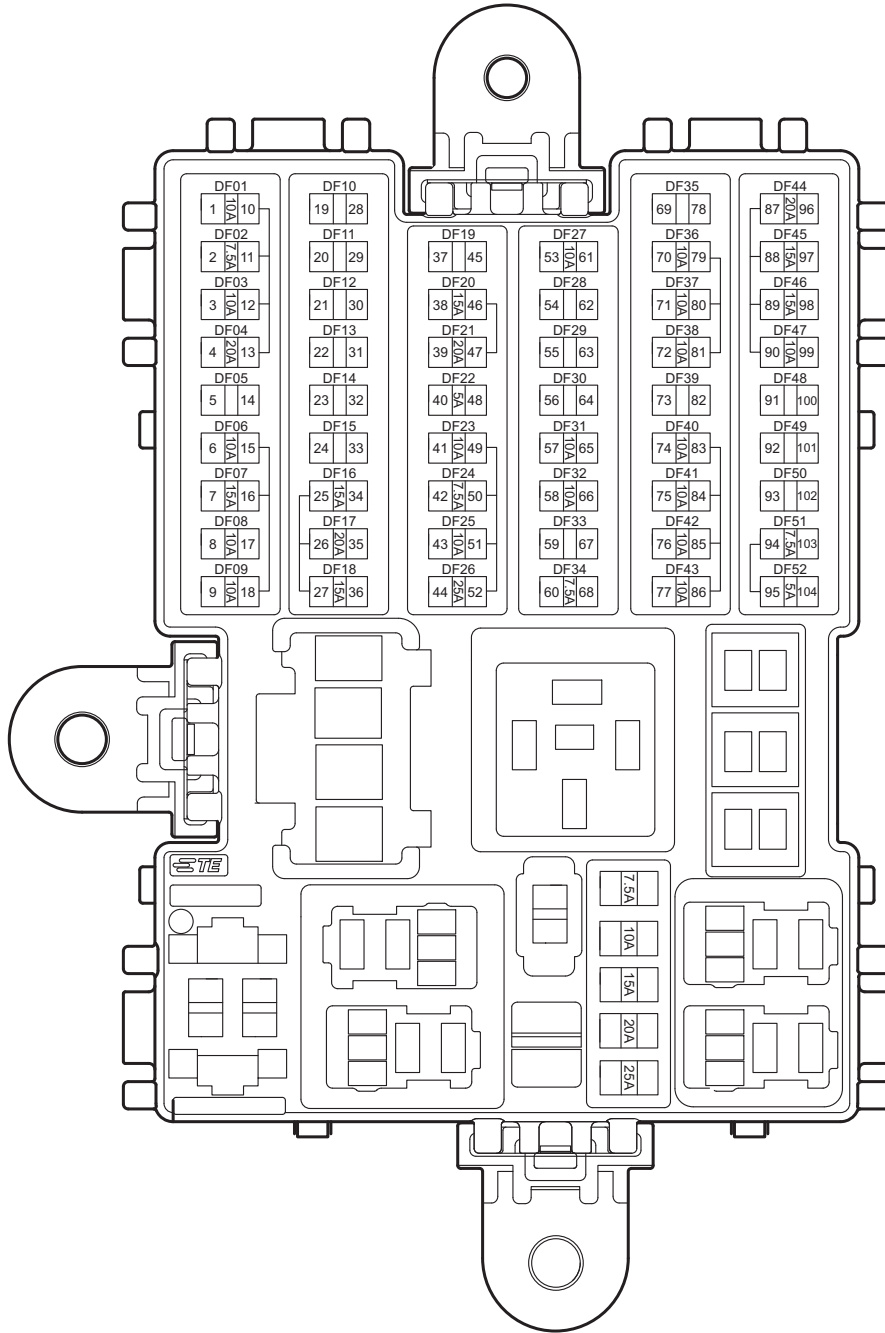


Engine Compartment Fuse Box



C16

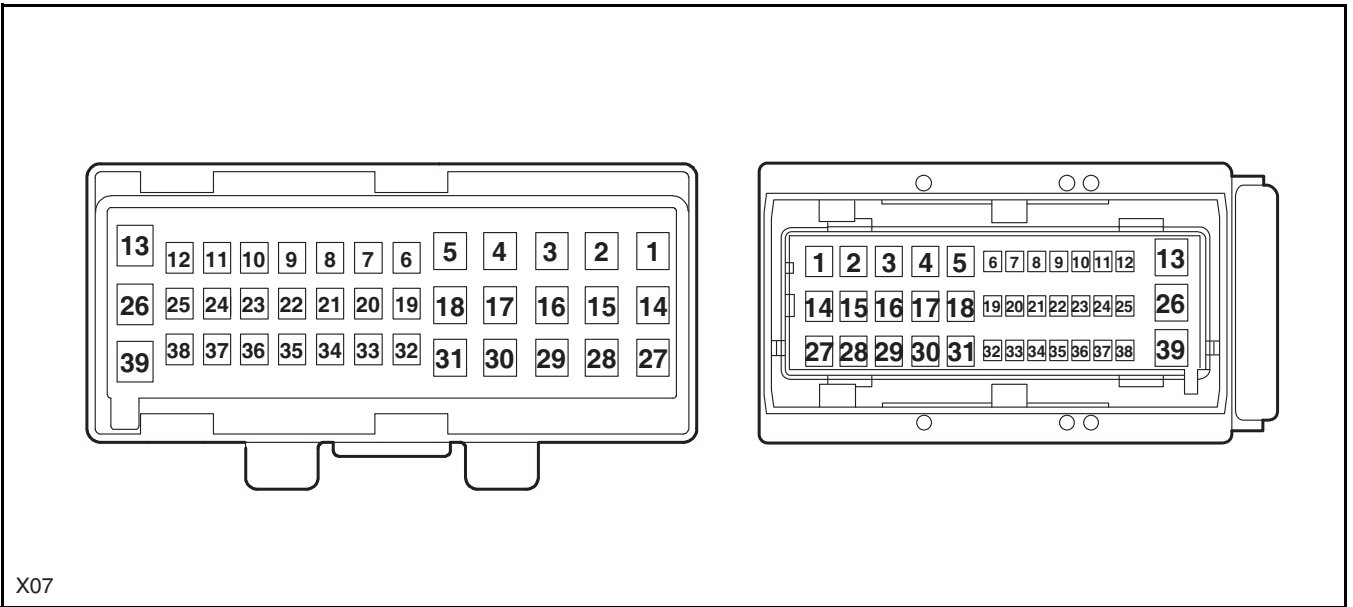
Instrument Panel Fuse Box



P44

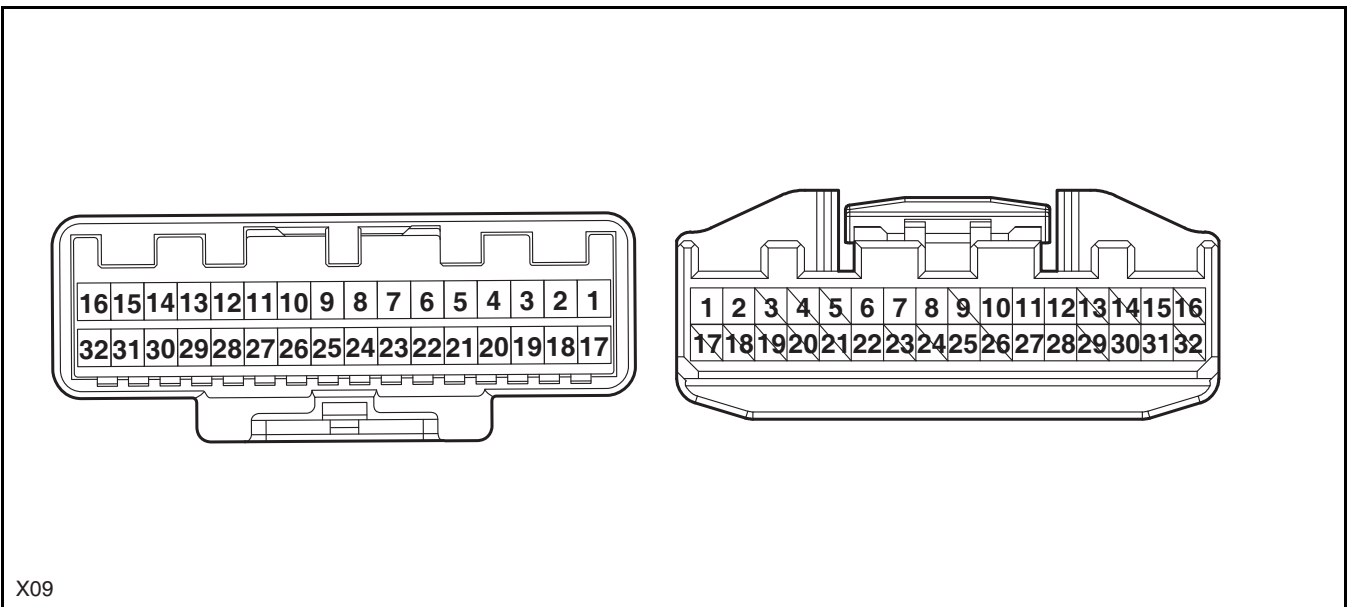
Engine Compartment Wiring Harness to Instrument Panel Wiring Harness A

Instrument Panel Wiring Harness to Engine Compartment Wiring Harness A



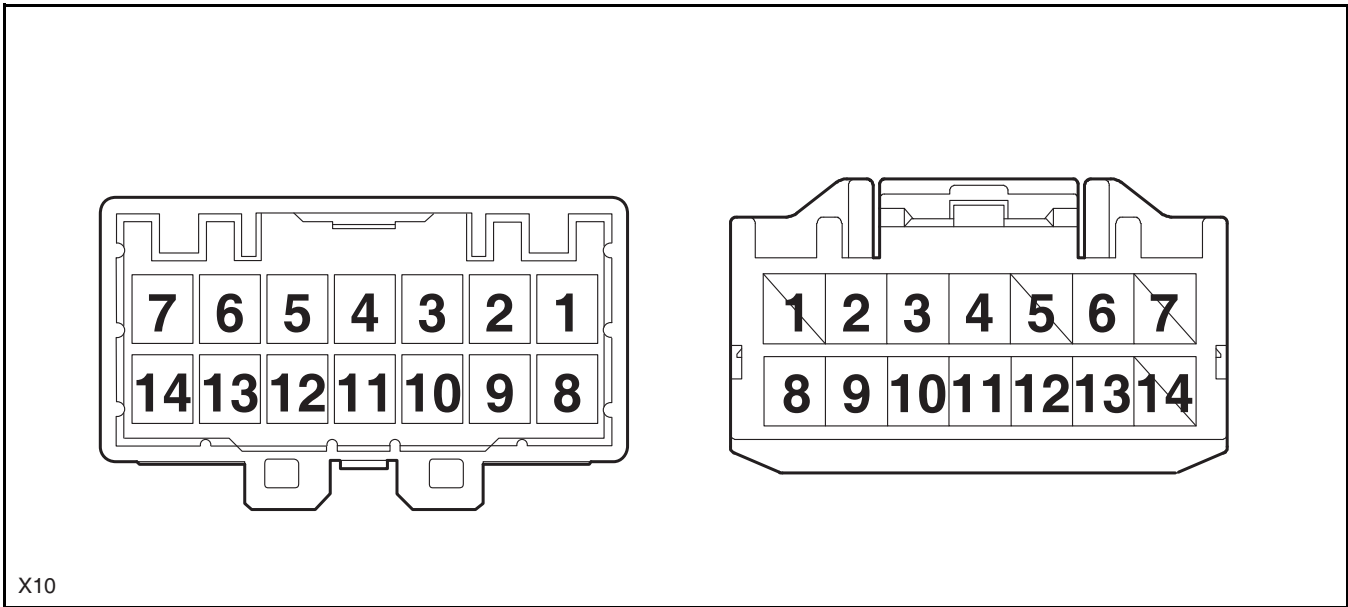
Engine Compartment Wiring Harness to Engine Wiring Harness A

Engine Wiring Harness to Engine Compartment Wiring Harness A



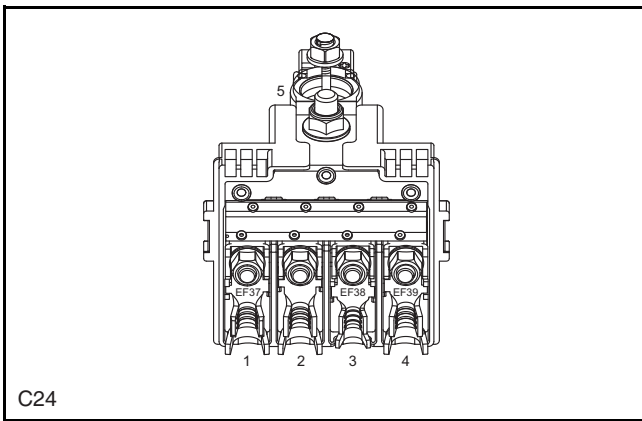
Engine Compartment Wiring Harness to Engine Wiring
Harness B

Engine Wiring Harness to Engine Compartment Wiring
Harness B

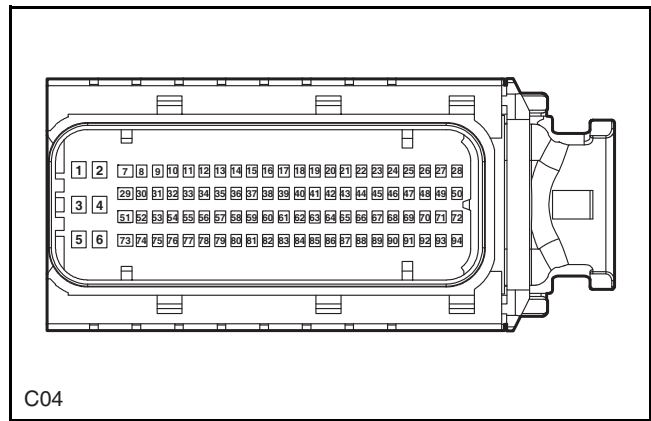


Battery Positive

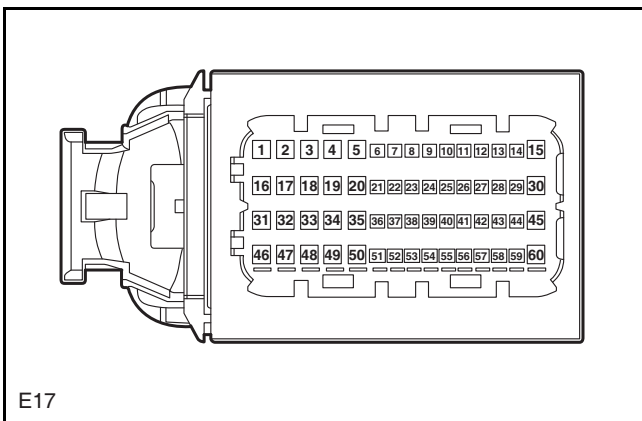
ECU-A



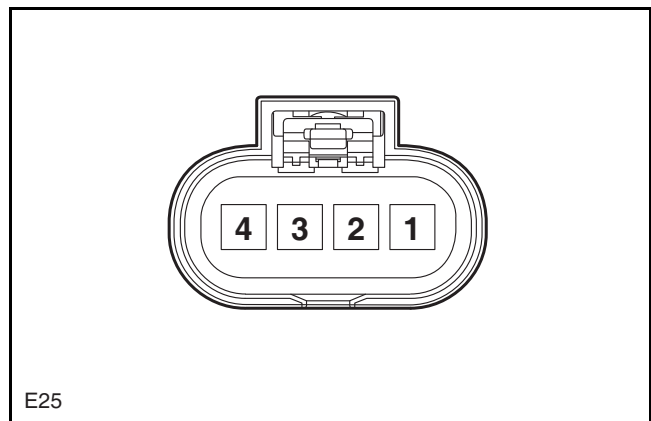
ECU-B



Front Oxygen Sensor

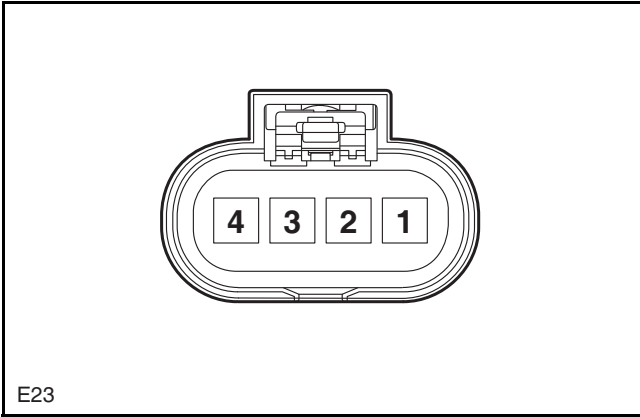


E17



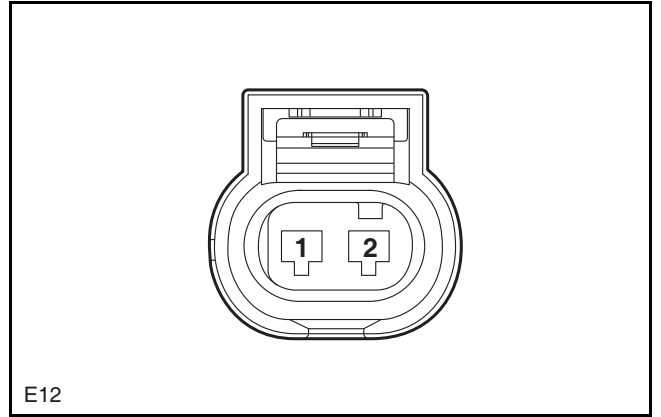
E25

Rear Oxygen Sensor



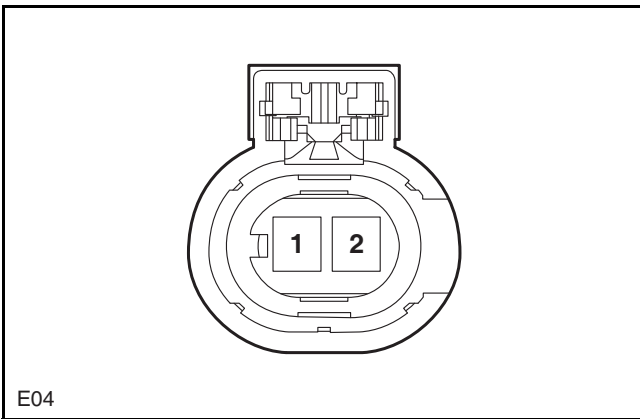
E23

Canister Control Valve



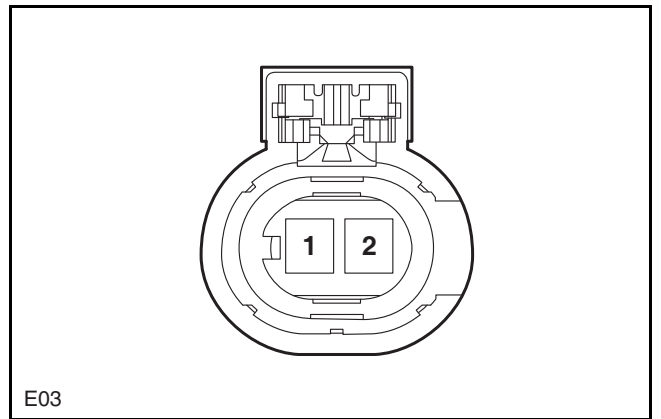
E12

OCV Intake Valve



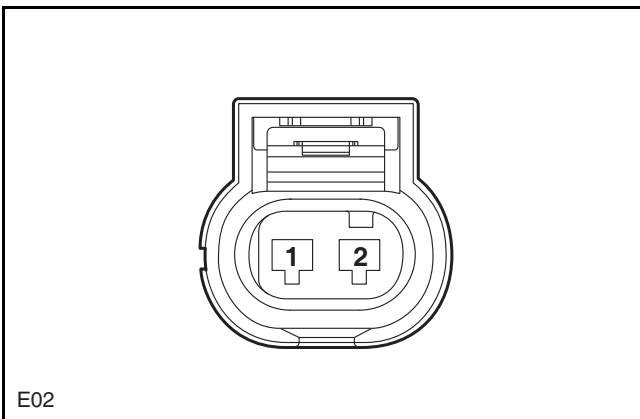
E04

OCV Exhaust Valve



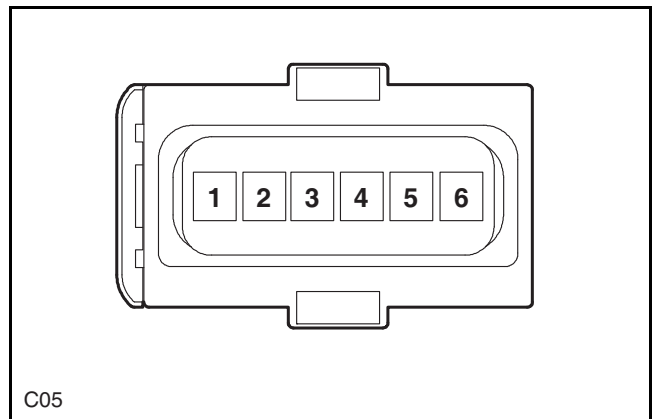
E03

Variable Oil Pump



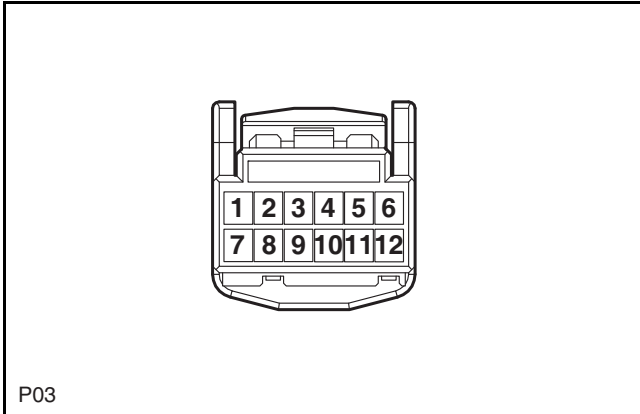
E02

Accelerator Pedal Position Sensor



C05

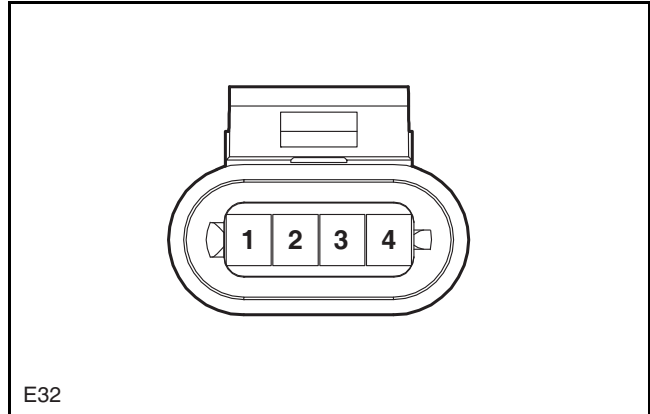
Rotary Connector - Multi-functional Switch



P03

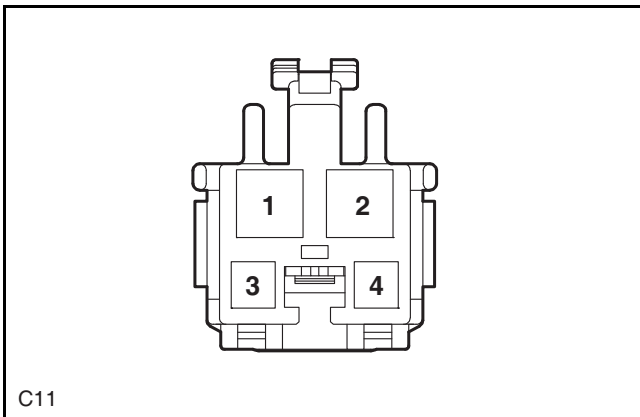
Clutch Top Switch

Neutral Sensor (MT)



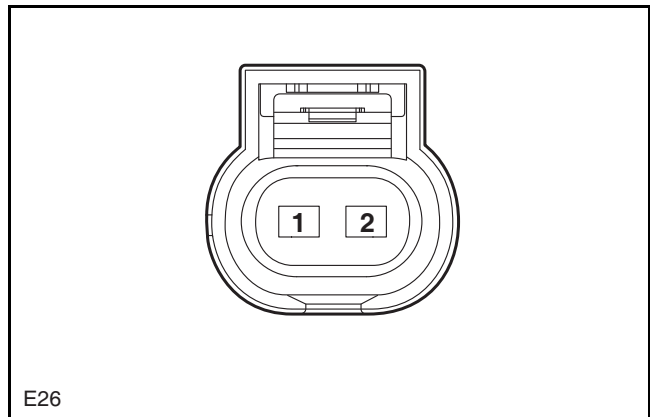
E32

Knock Sensor



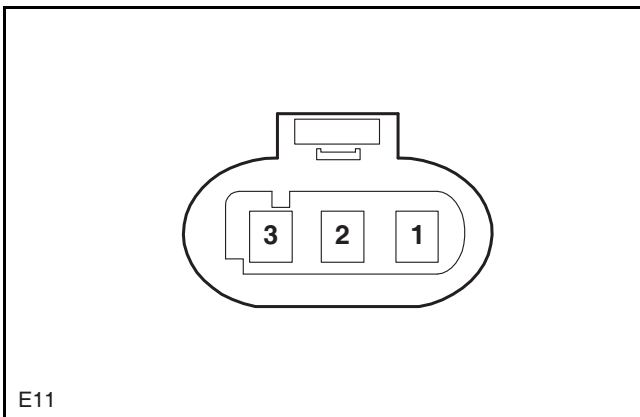
C11

Fuel Pressure Sensor

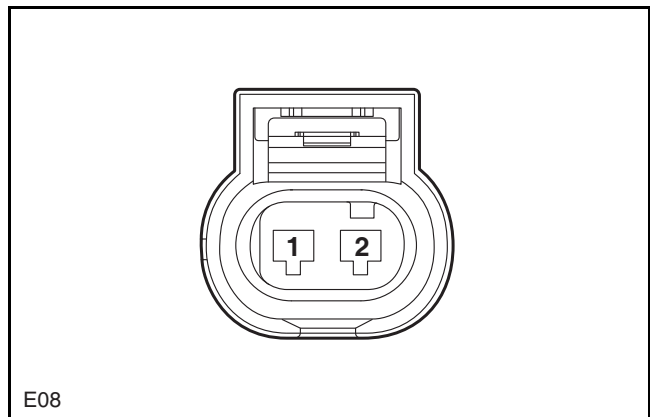


E26

High Pressure Oil Pump

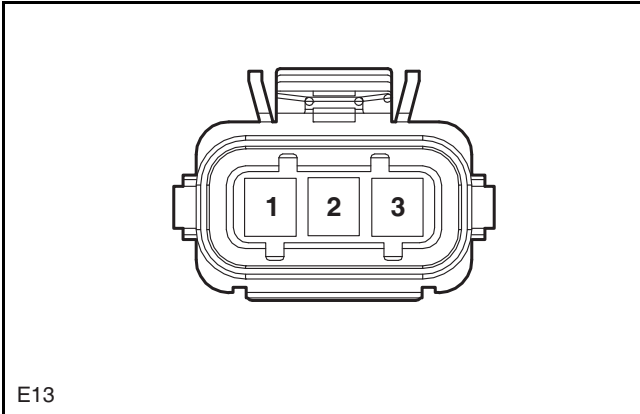


E11

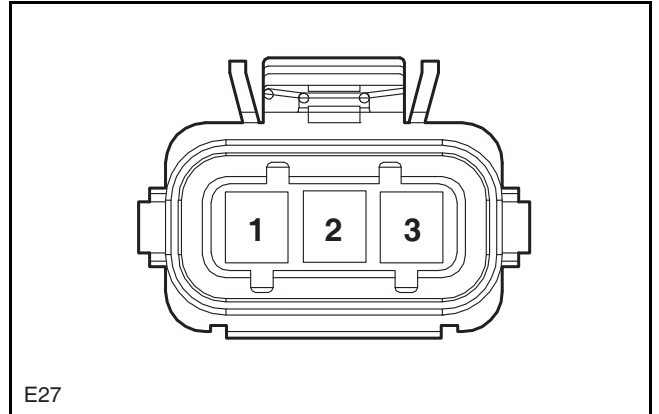


E08

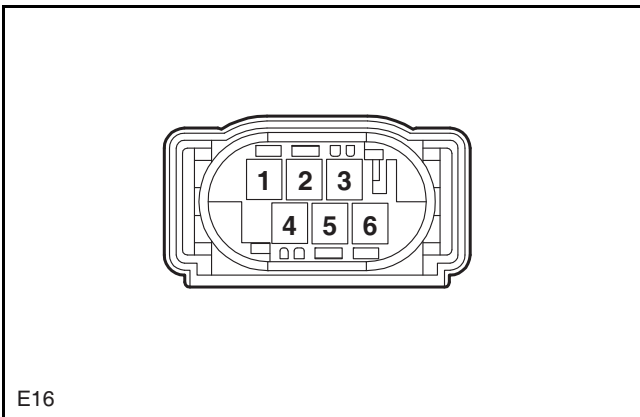
Intake Camshaft Phase Sensor



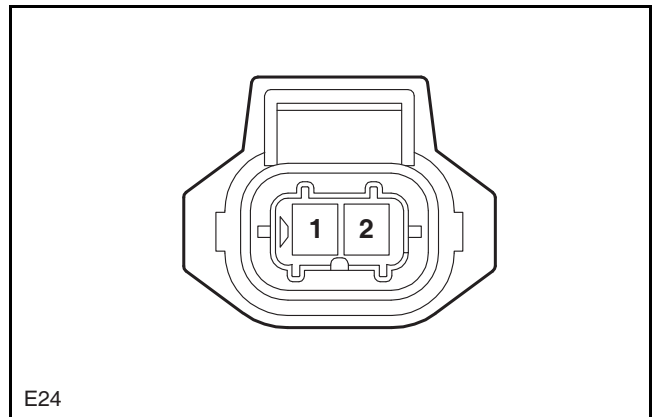
Exhaust Camshaft Phase Sensor



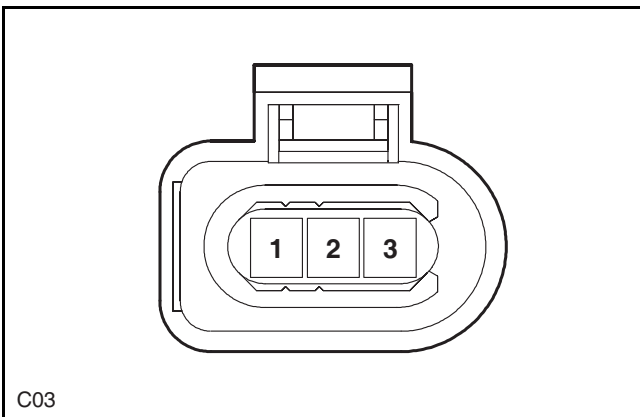
Electronic Throttle Valve



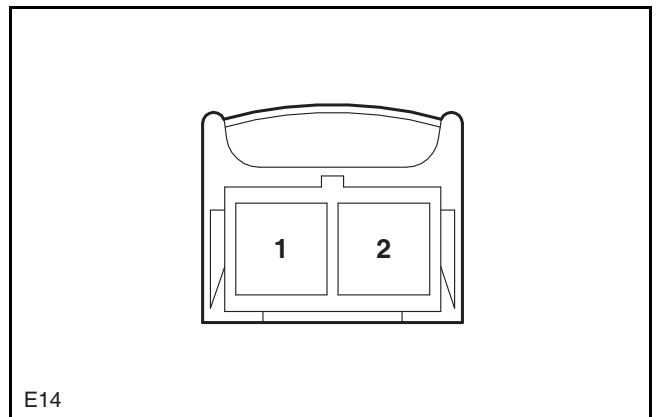
Crankshaft Position Sensor



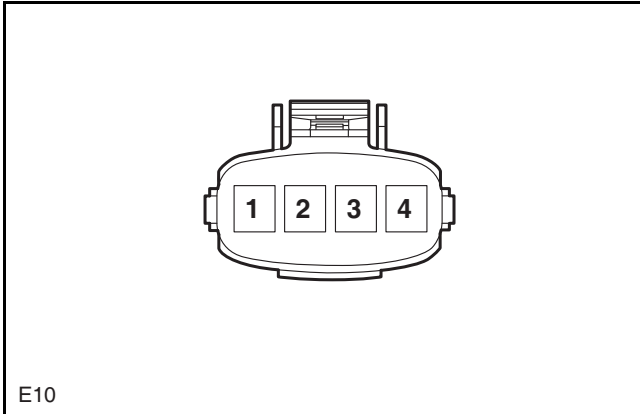
Brake Vacuum Sensor



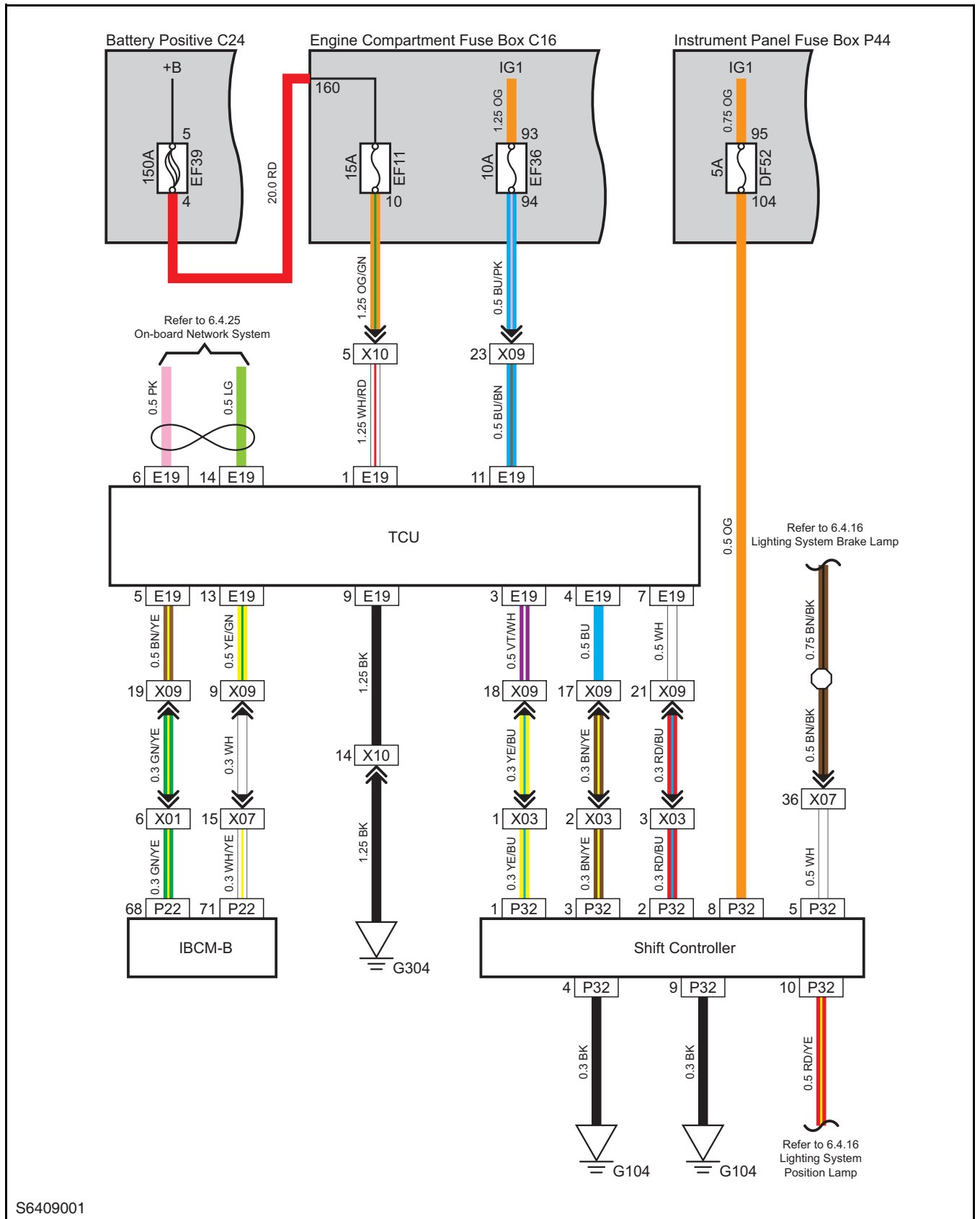
Coolant Temperature Sensor



Air Intake Temperature/Pressure Sensor

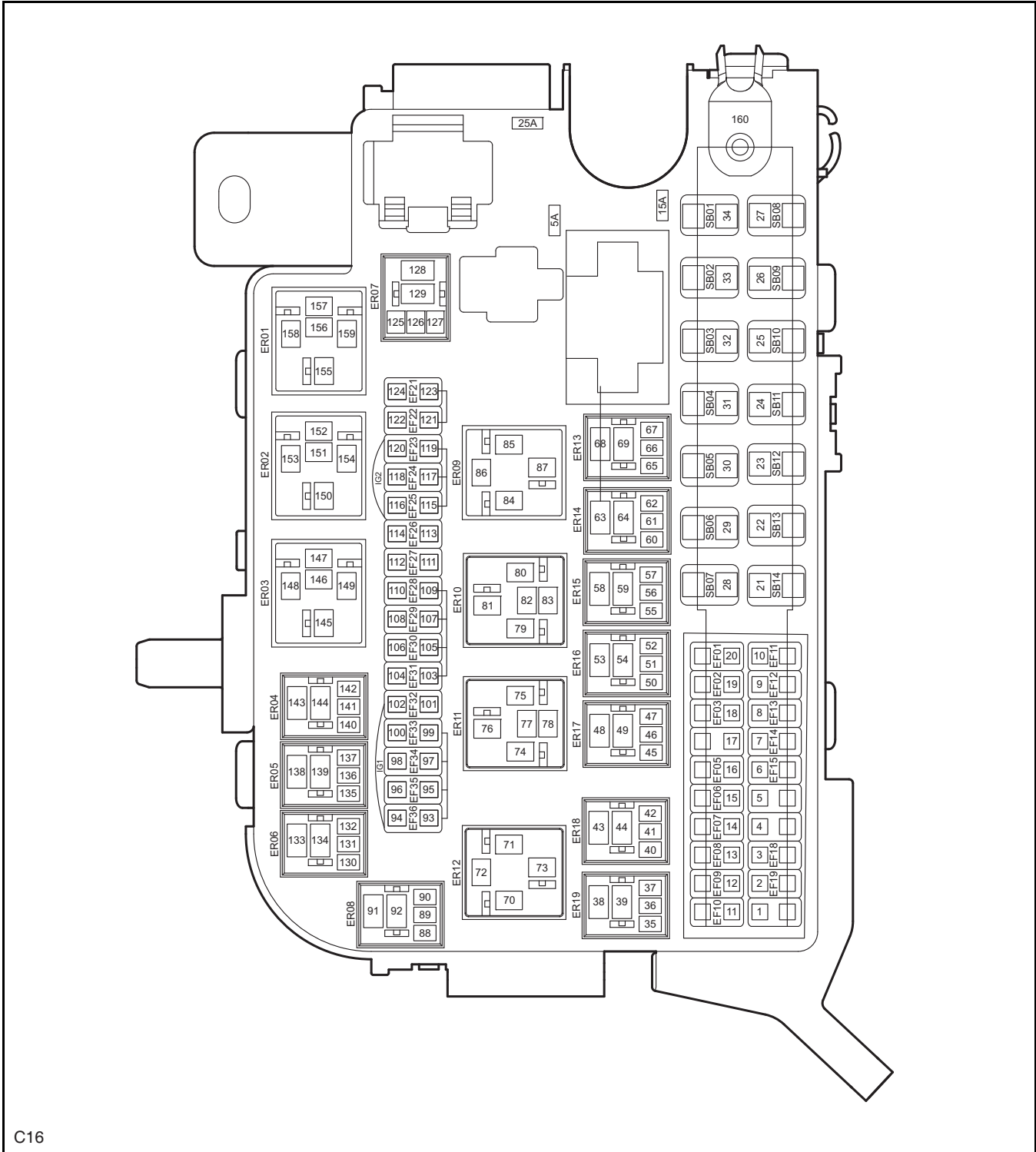


Automatic Transmission

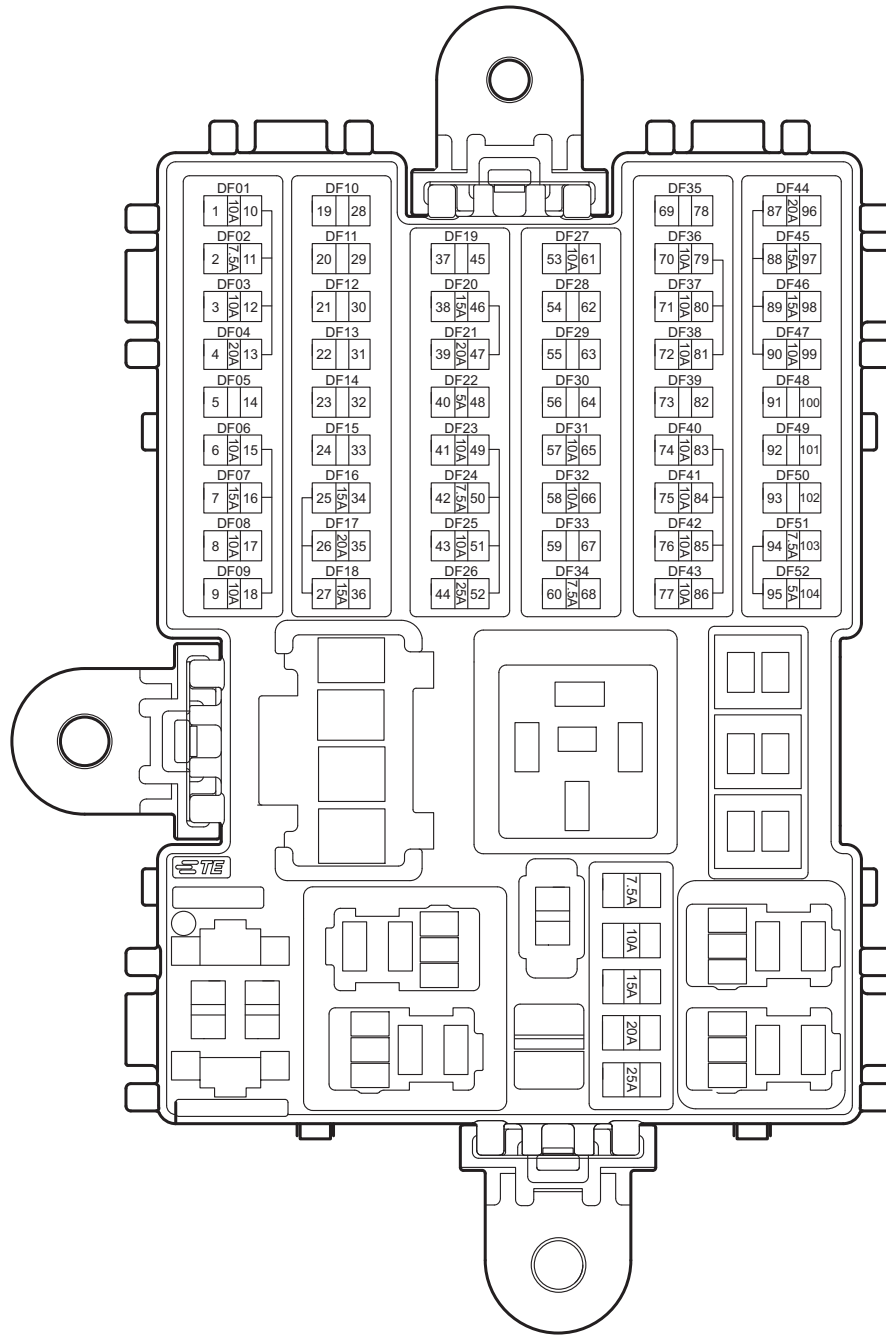


S6409001

Engine Compartment Fuse Box

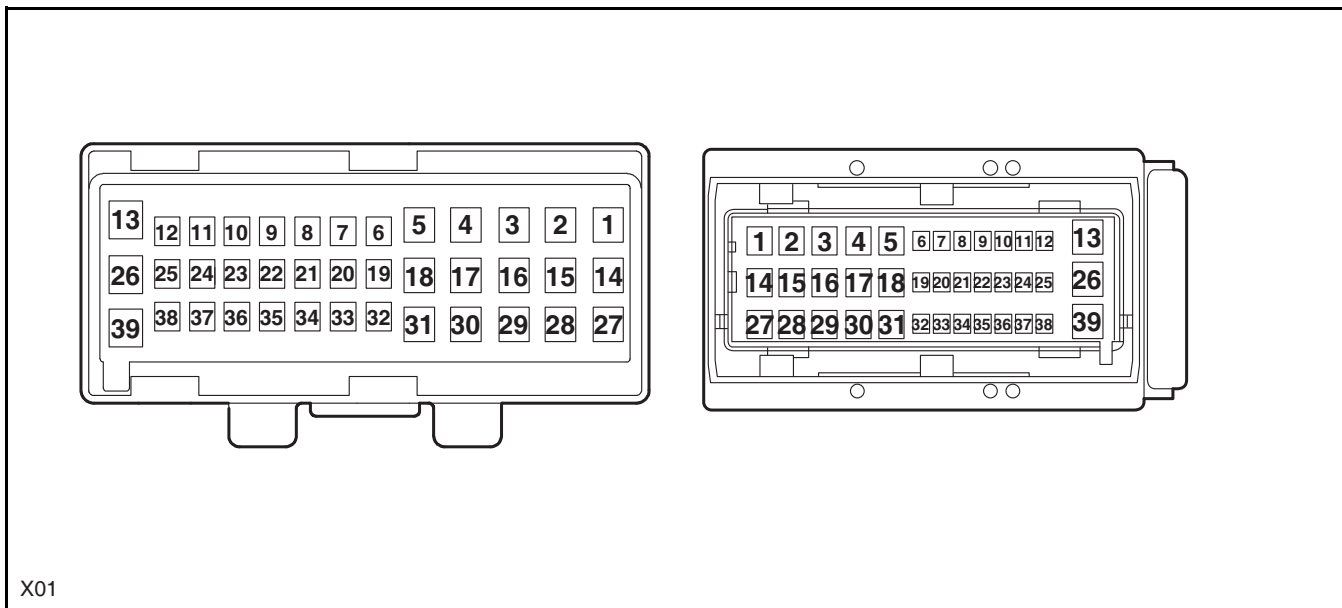


Instrument Panel Fuse Box



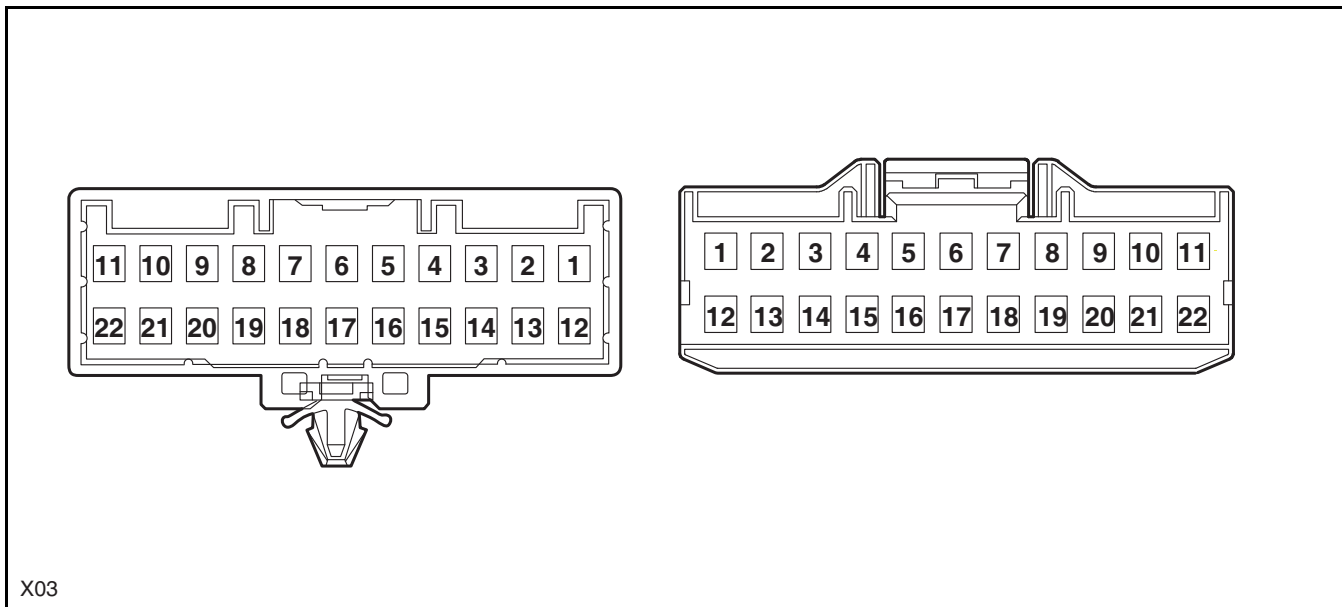
Engine Compartment Wiring Harness to Instrument Panel Wiring Harness E

Instrument Panel Wiring Harness to Engine Compartment Wiring Harness E



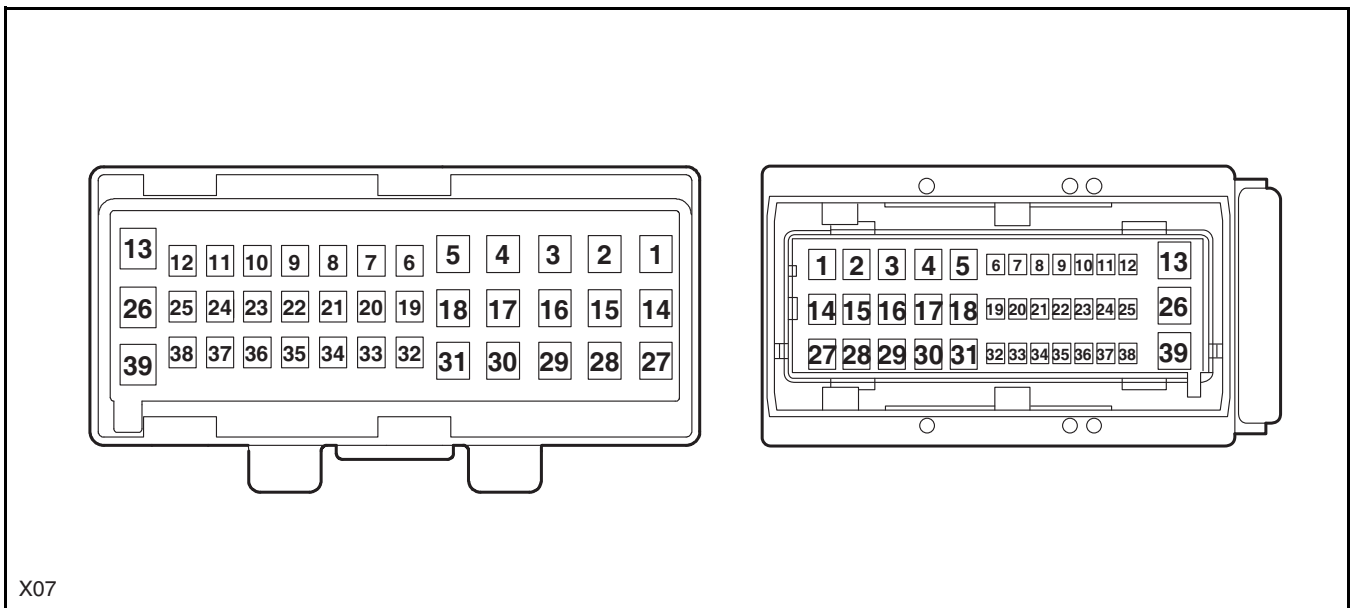
Engine Compartment Wiring Harness to Instrument Panel Wiring Harness D

Instrument Panel Wiring Harness to Engine Compartment Wiring Harness D



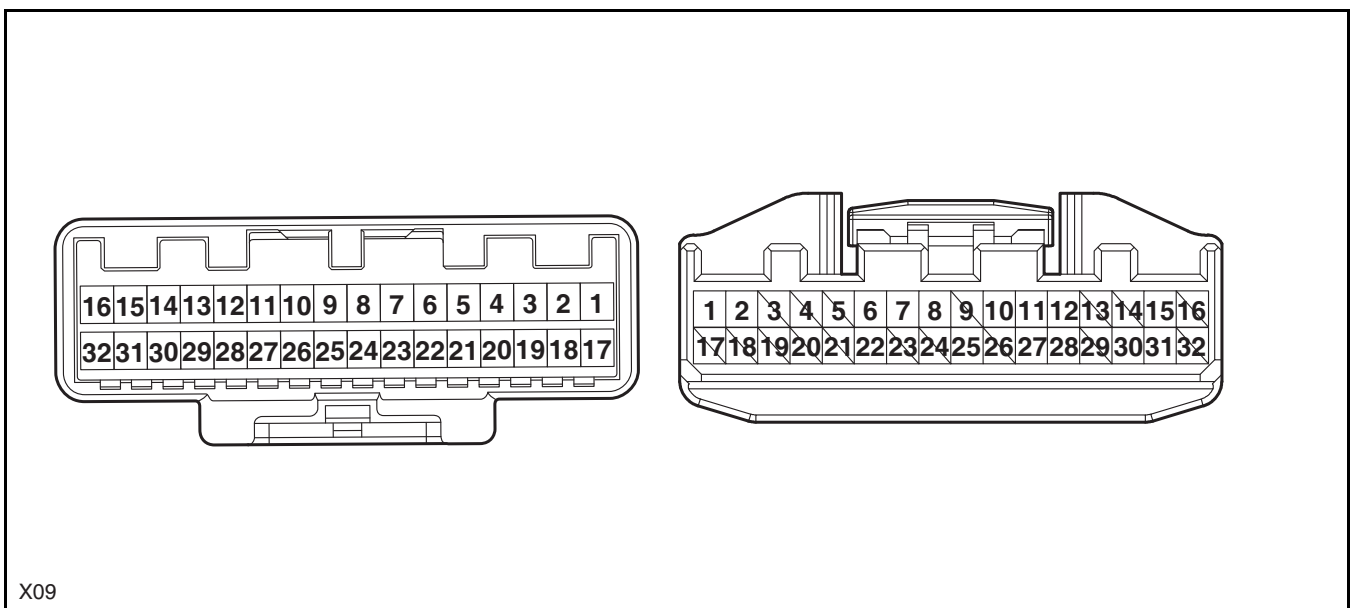
Engine Compartment Wiring Harness to Instrument Panel Wiring Harness A

Instrument Panel Wiring Harness to Engine Compartment Wiring Harness A



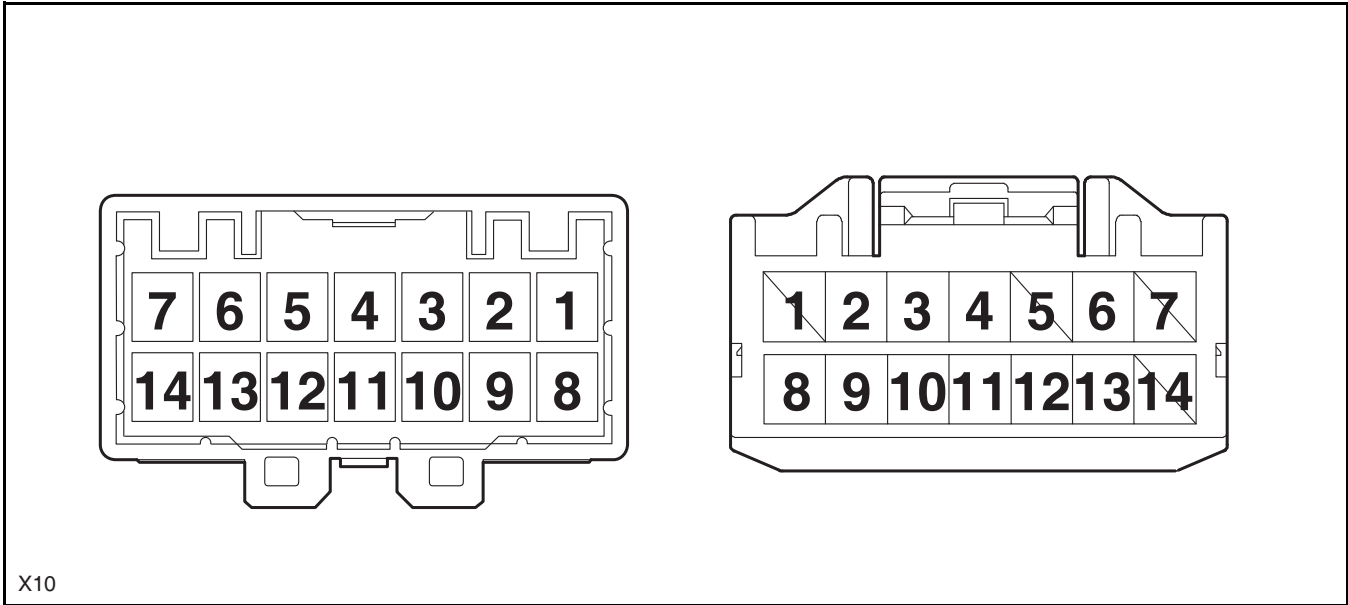
Engine Compartment Wiring Harness to Engine Wiring Harness A

Engine Wiring Harness to Engine Compartment Wiring Harness A



Engine Compartment Wiring Harness to Engine Wiring Harness B

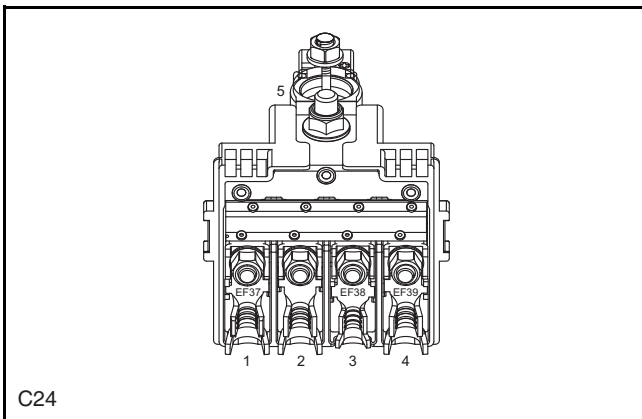
Engine Wiring Harness to Engine Compartment Wiring Harness B



X10

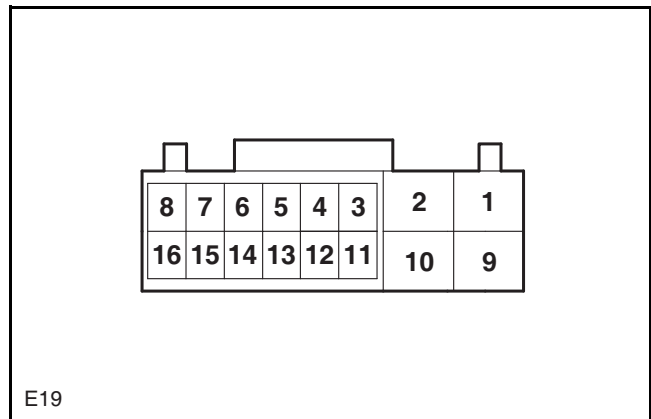
Battery Positive

TCU (AT)



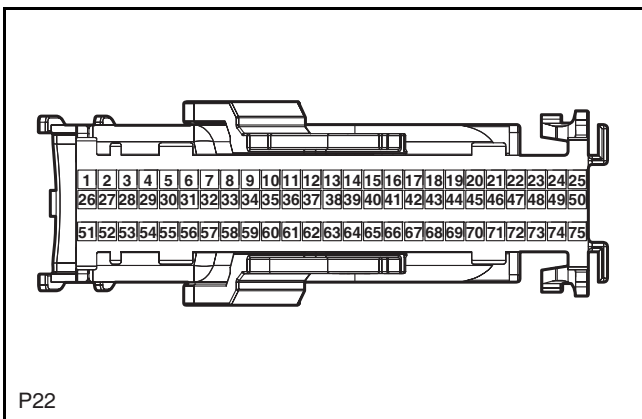
C24

IBCM-B

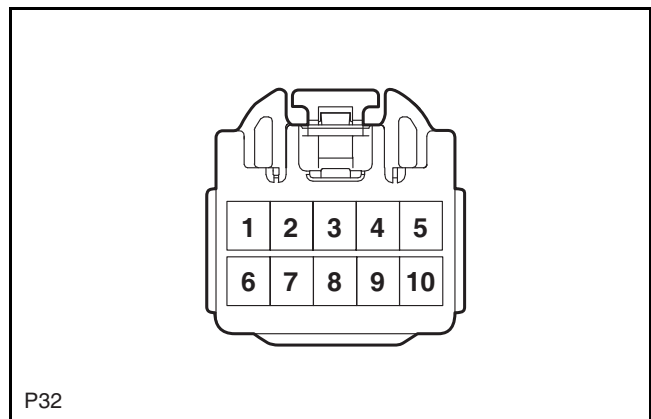


E19

Shift Controller

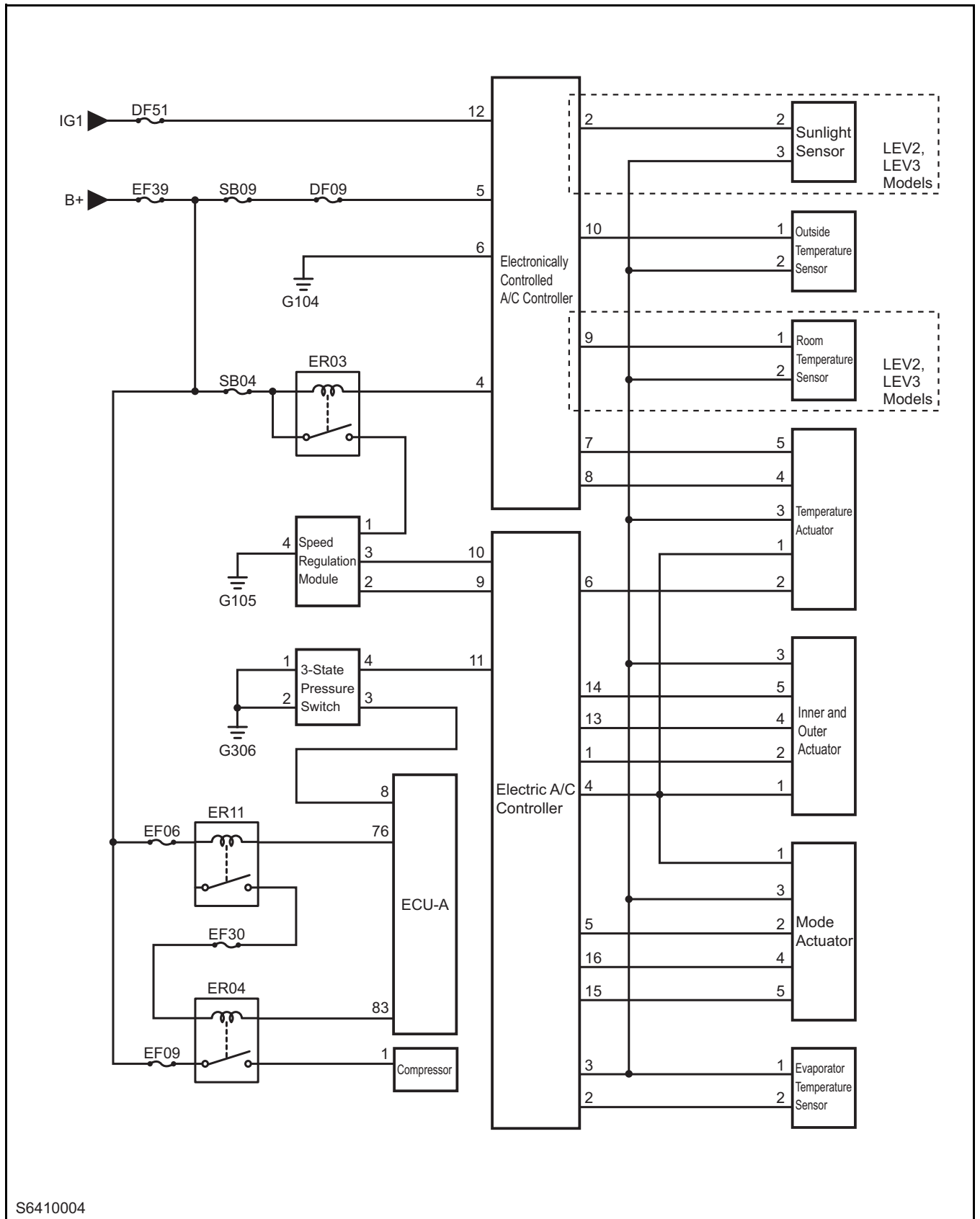


P22



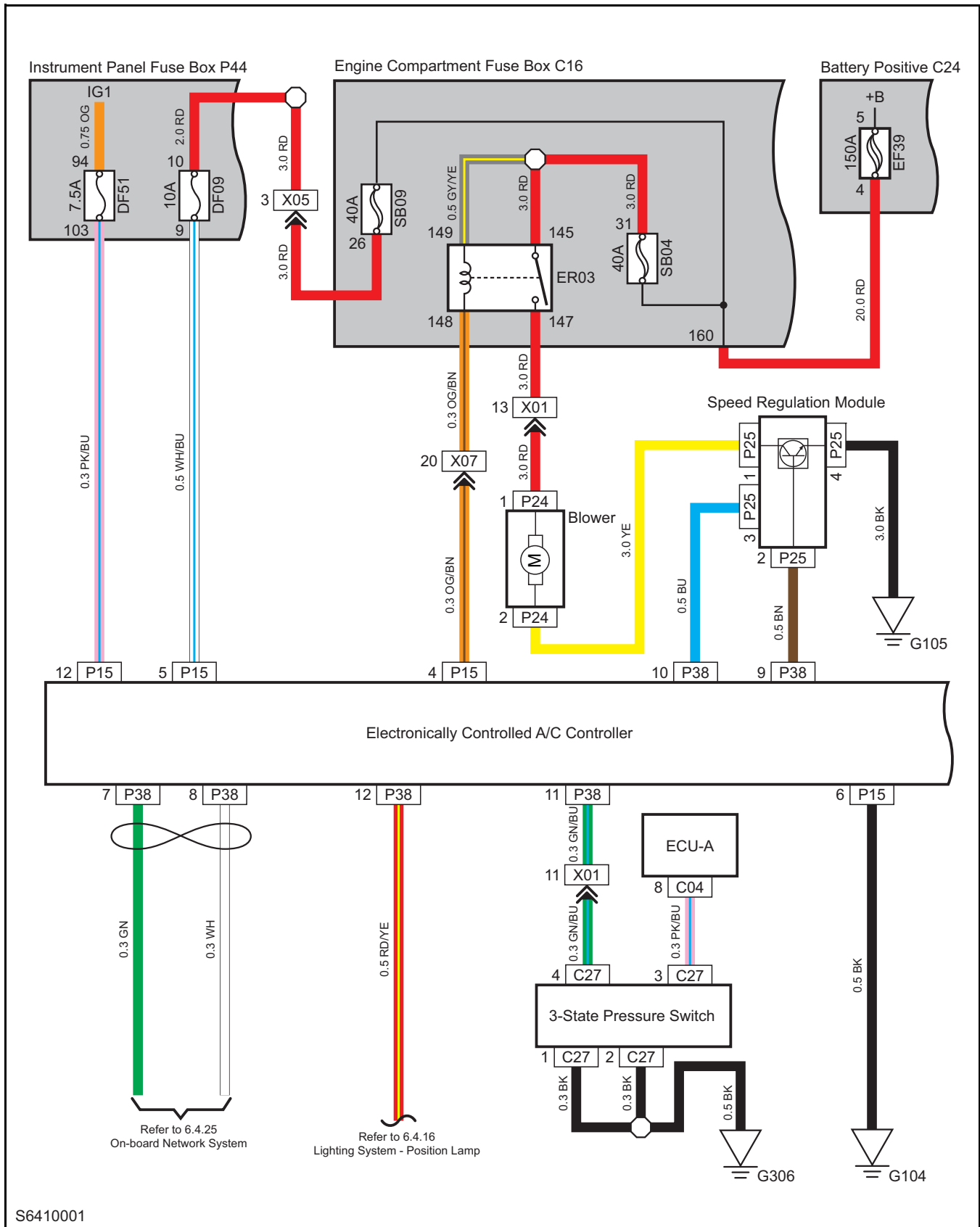
P32

Heating, Ventilation and Air Conditioning



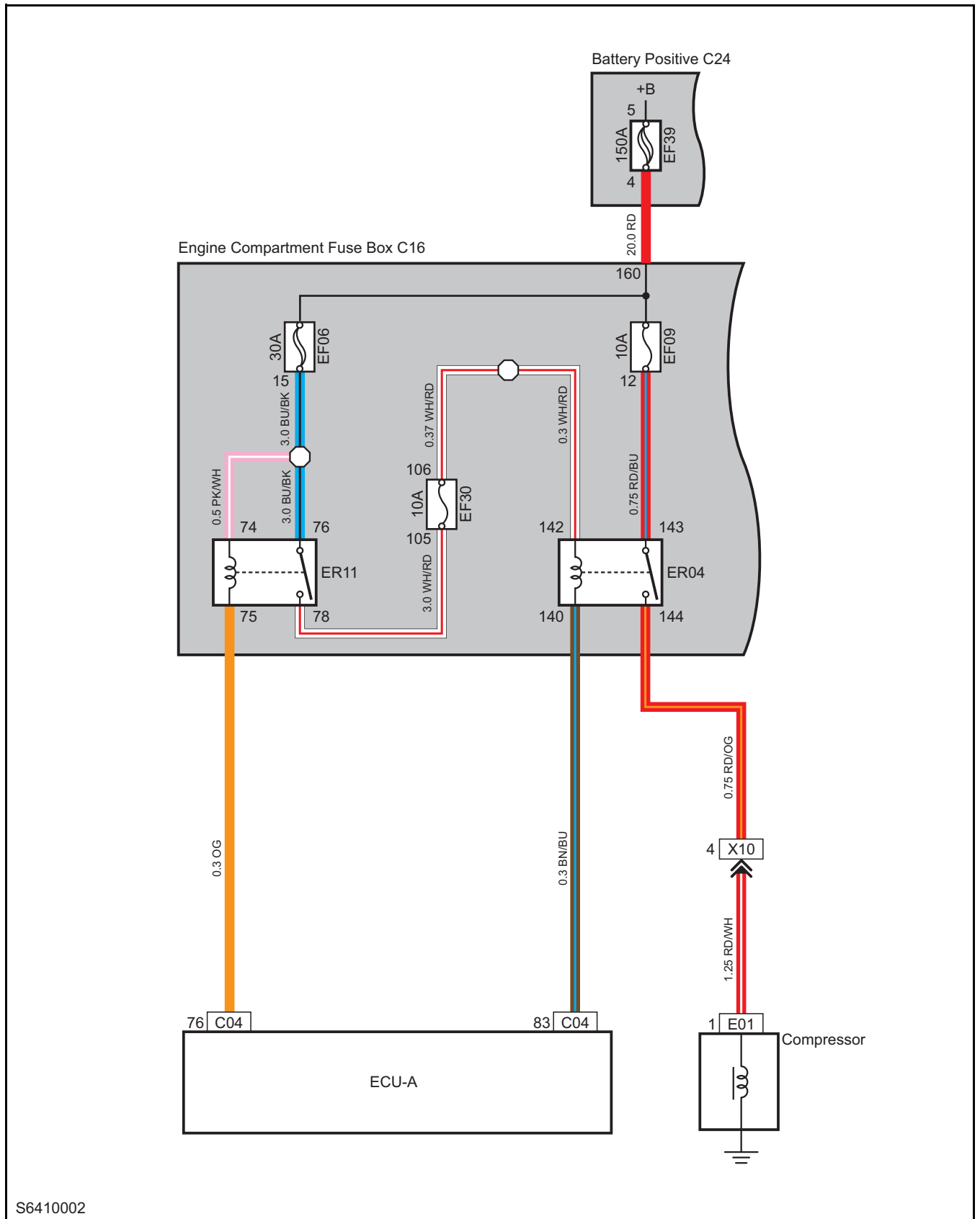
S6410004

Power Supply/Blower/Pressure Switch/Speed Regulation Module



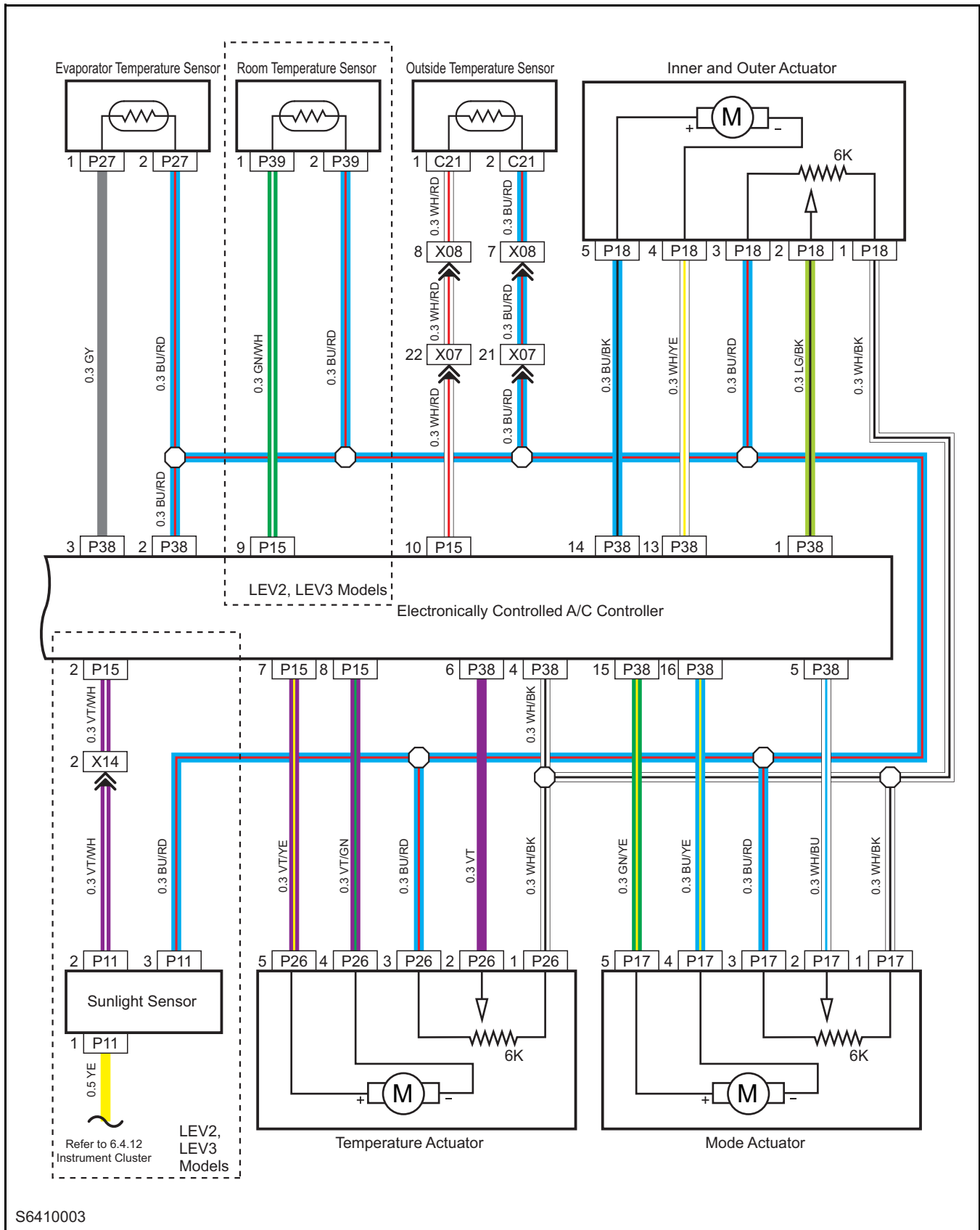
S6410001

Compressor

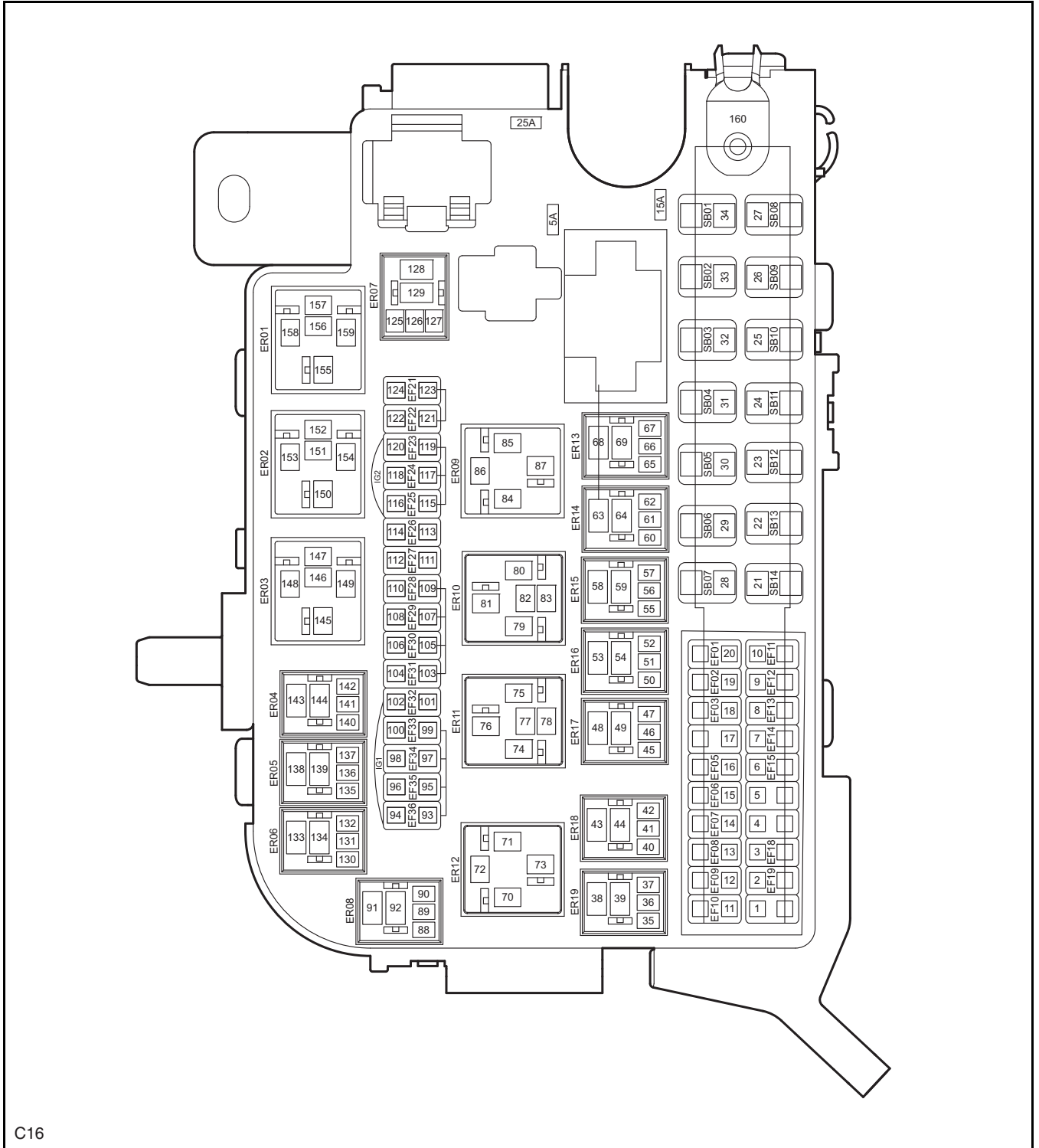


S6410002

Actuator/Temperature Sensor/Sunlight Sensor

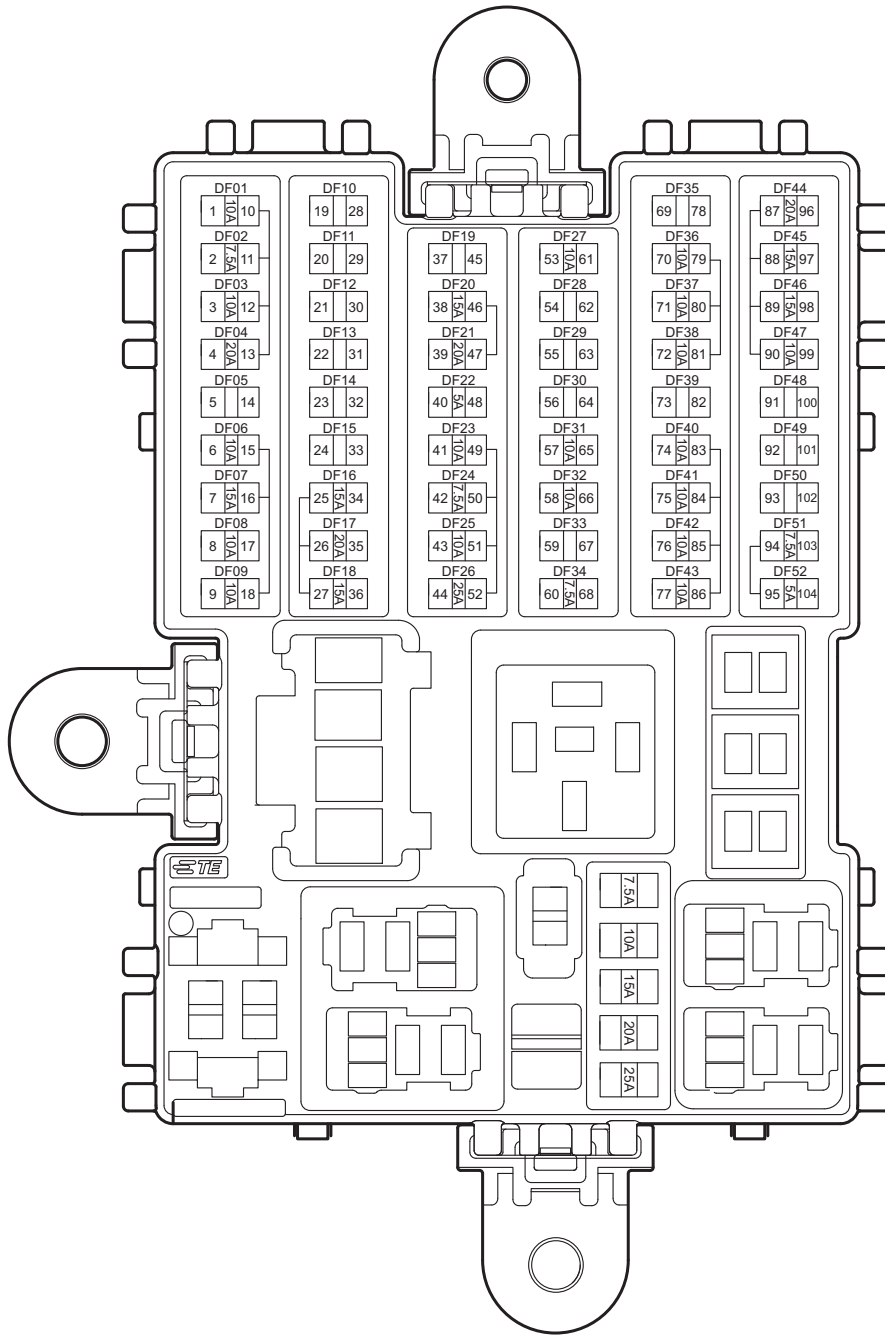


Engine Compartment Fuse Box



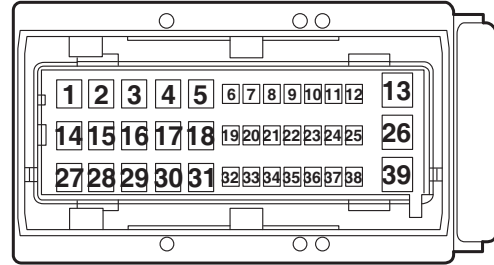
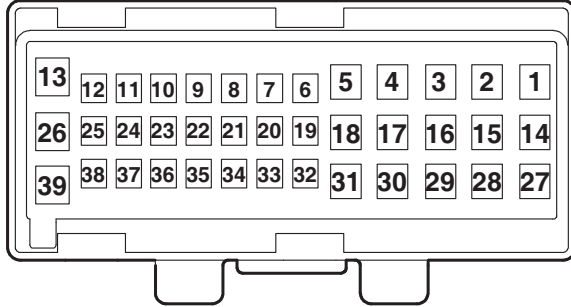
C16

Instrument Panel Fuse Box



Engine Compartment Wiring Harness to Instrument Panel Wiring Harness E

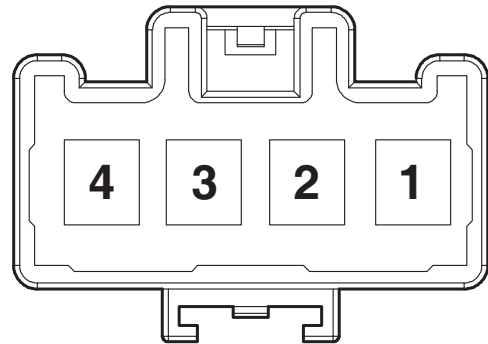
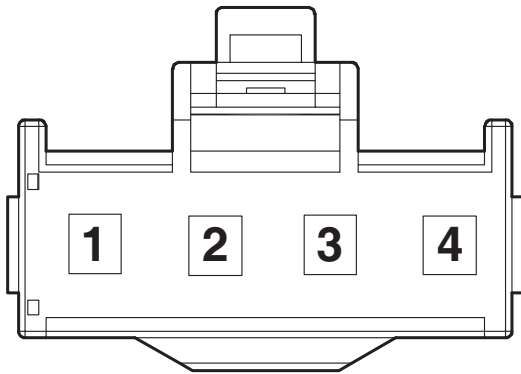
Instrument Panel Wiring Harness to Engine Compartment Wiring Harness E



X01

Engine Compartment Wiring Harness to Instrument Panel Wiring Harness C

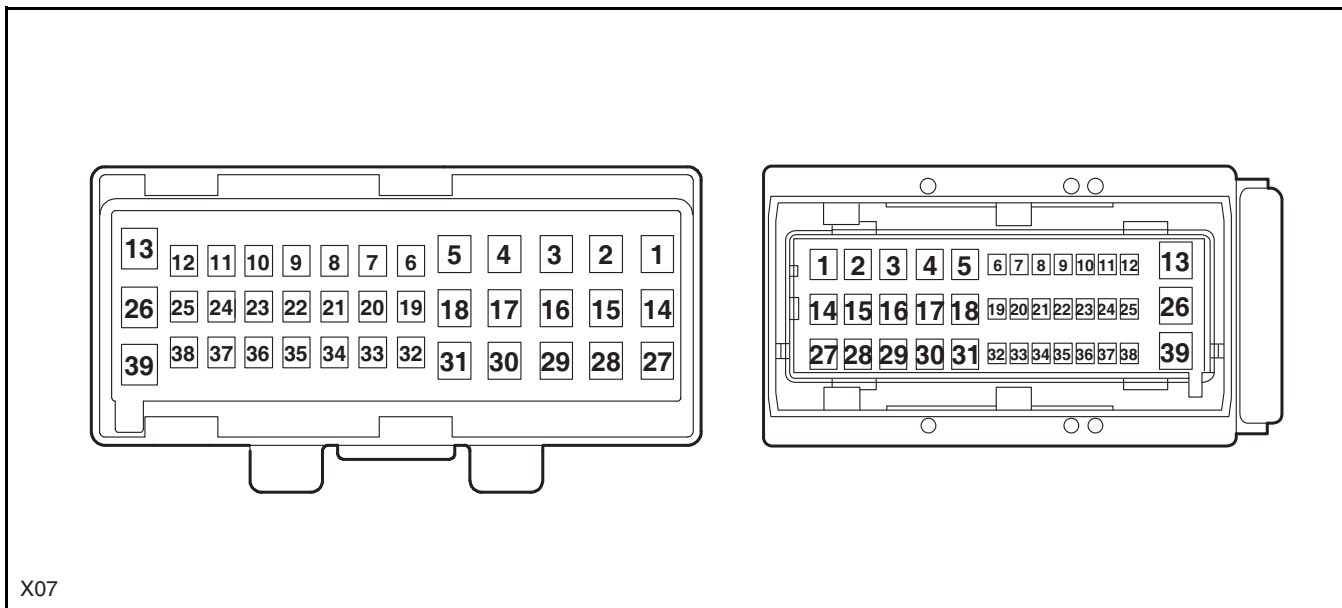
Instrument Panel Wiring Harness to Engine Compartment Wiring Harness C



X05

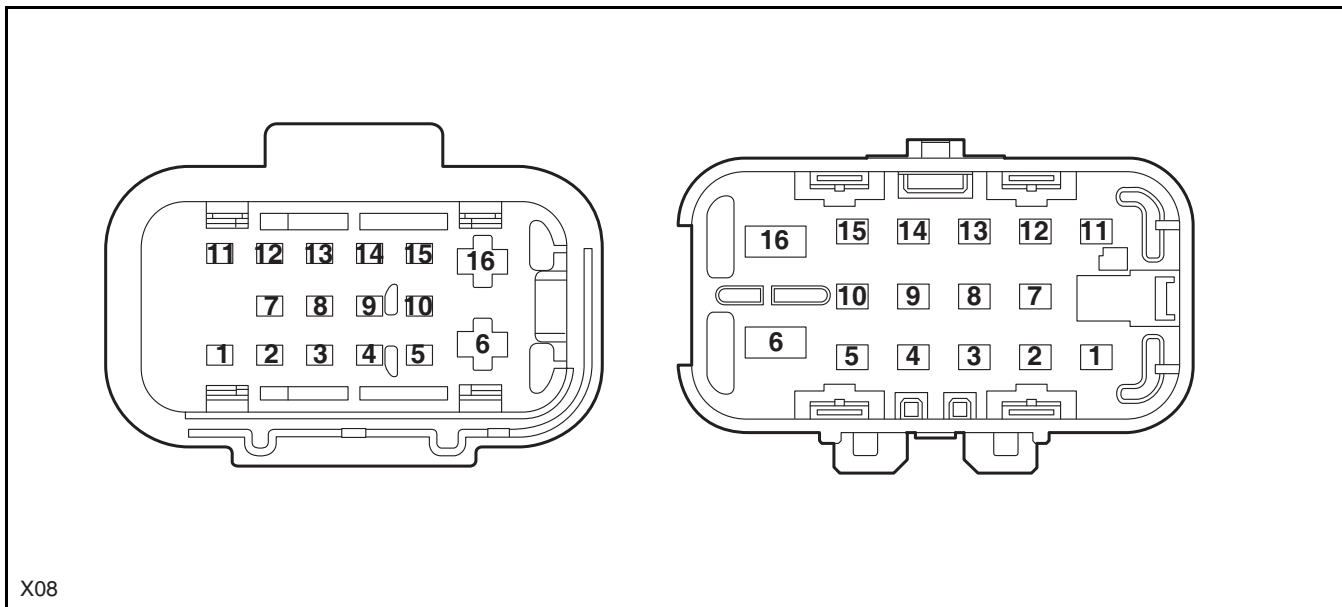
Engine Compartment Wiring Harness to Instrument Panel Wiring Harness A

Instrument Panel Wiring Harness to Engine Compartment Wiring Harness A



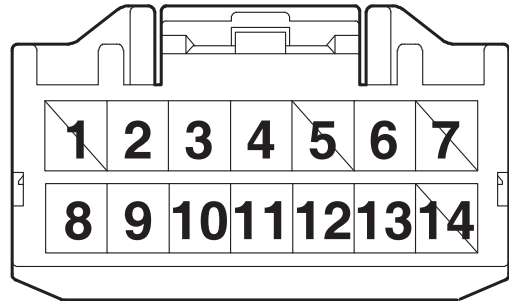
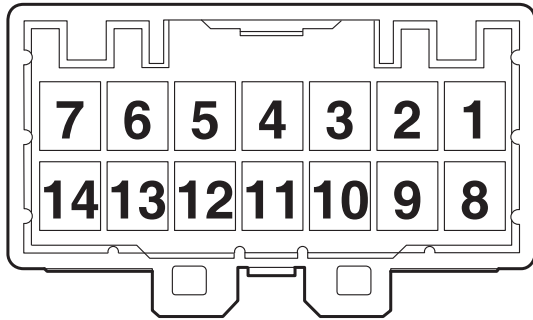
Engine Compartment Wiring Harness to Front End Module Wiring Harness

Front End Module Wiring Harness to Engine Compartment Wiring Harness



Engine Compartment Wiring Harness to Engine Wiring Harness B

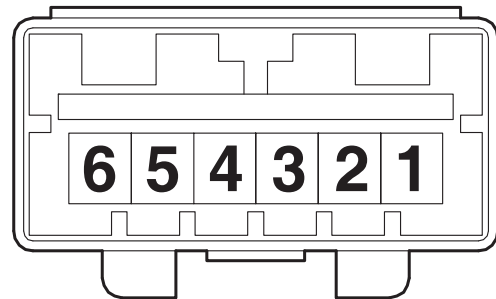
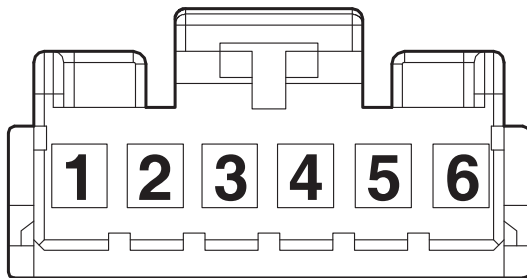
Engine Wiring Harness to Engine Compartment Wiring Harness B



X10

Instrument Panel Wiring Harness to Sunlight Sensor Wiring Harness

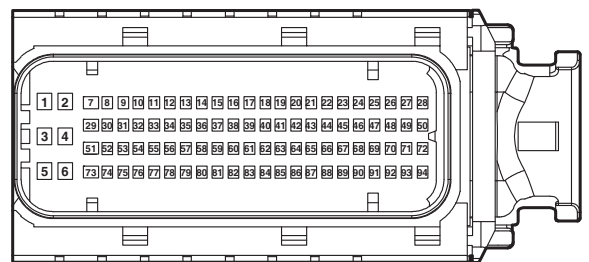
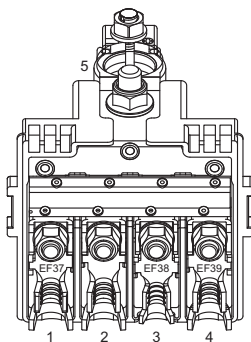
Sunlight Sensor Wiring Harness to Instrument Panel Wiring Harness



X14

Battery Positive

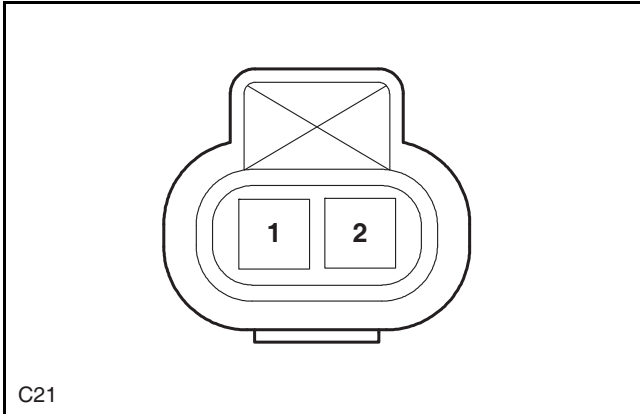
ECU-A



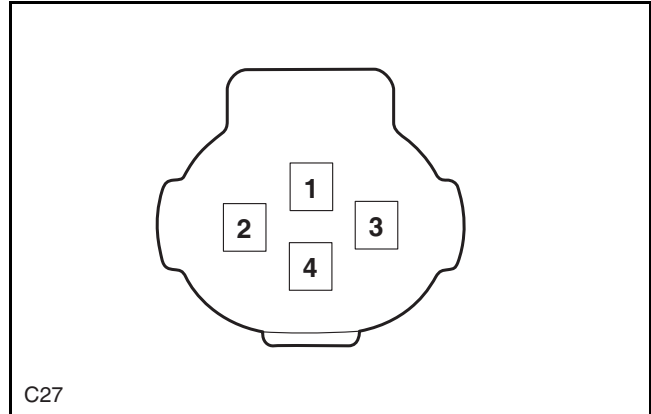
C24

C04

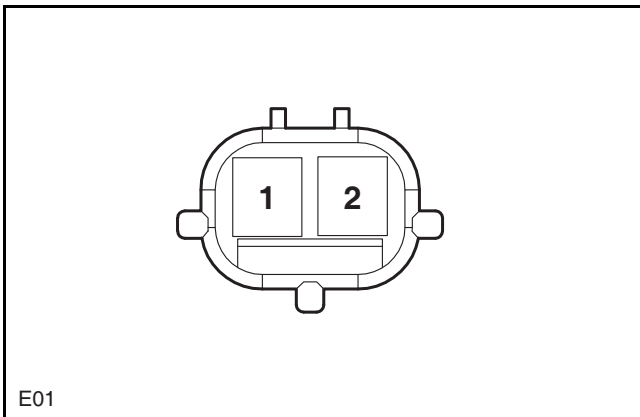
Outside Temperature Sensor



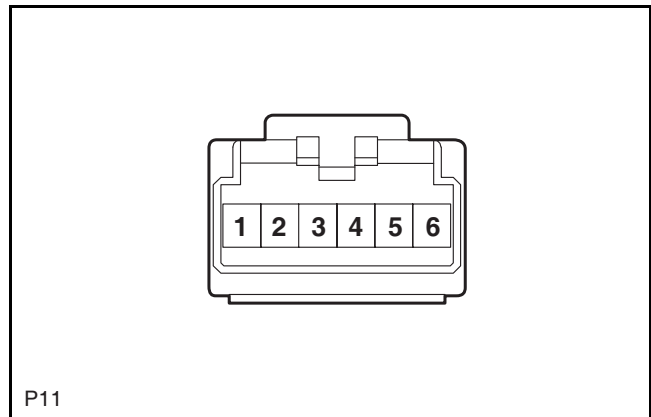
3-State Pressure Switch



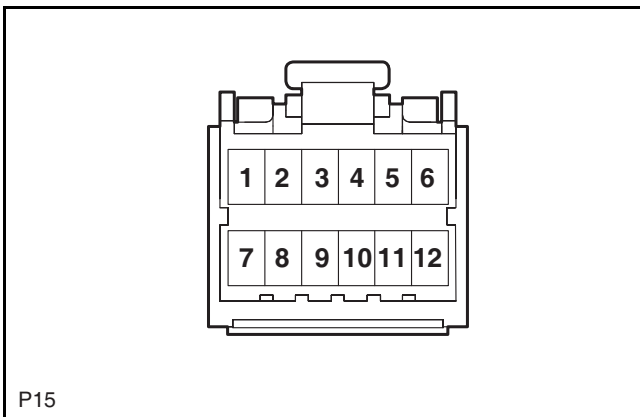
Compressor



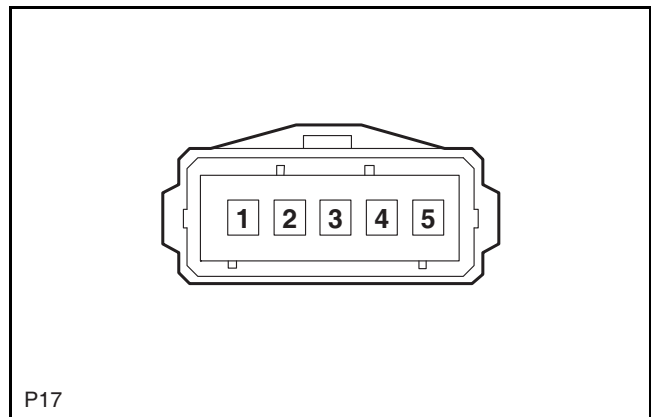
Sunlight Sensor



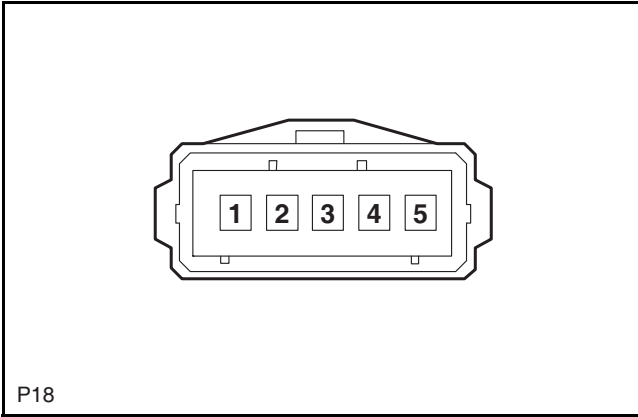
Electronically Controlled A/C Controller



Mode Actuator

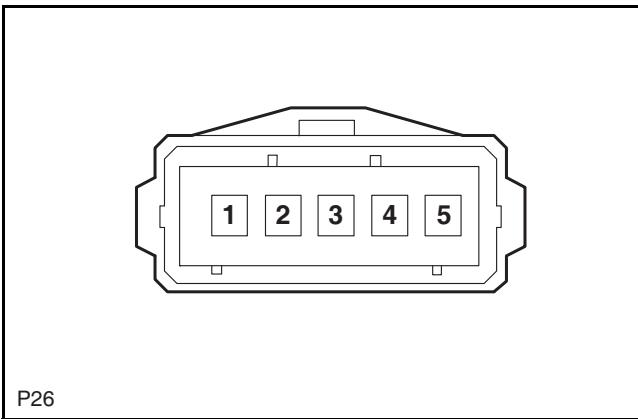


Inner and Outer Actuator



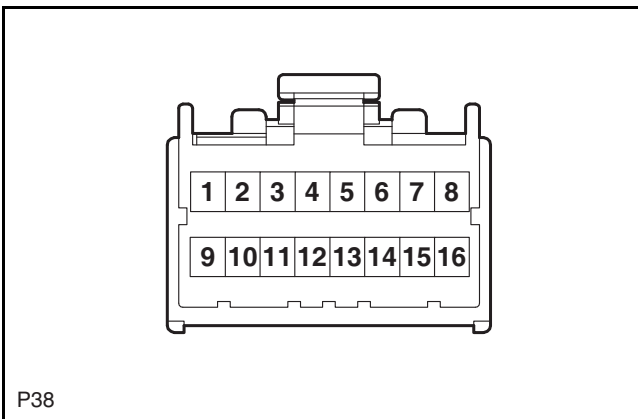
P18

Temperature Actuator



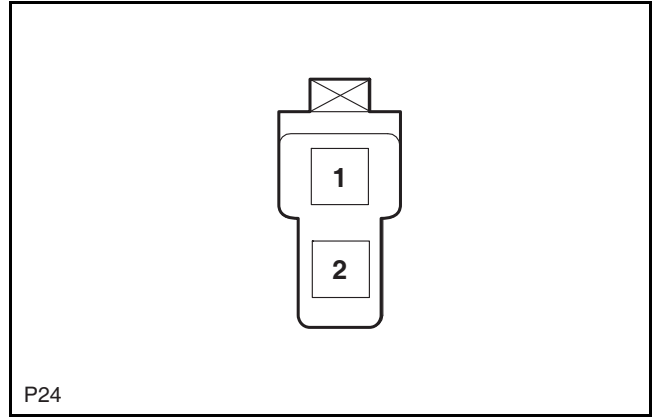
P26

Electric A/C Controller



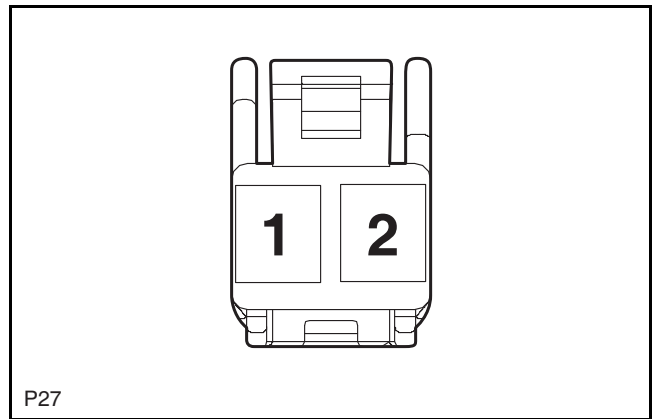
P38

Blower



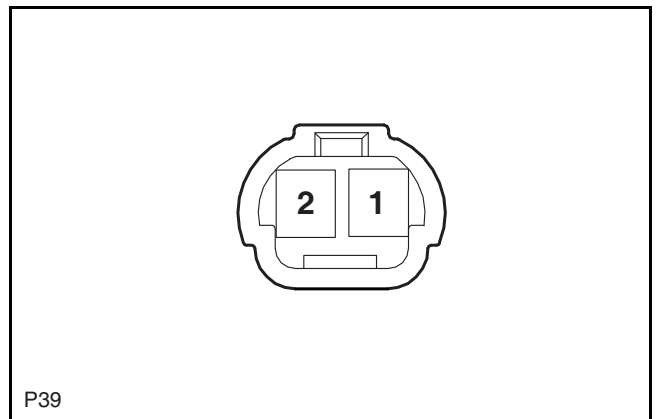
P24

Evaporator Temperature Sensor



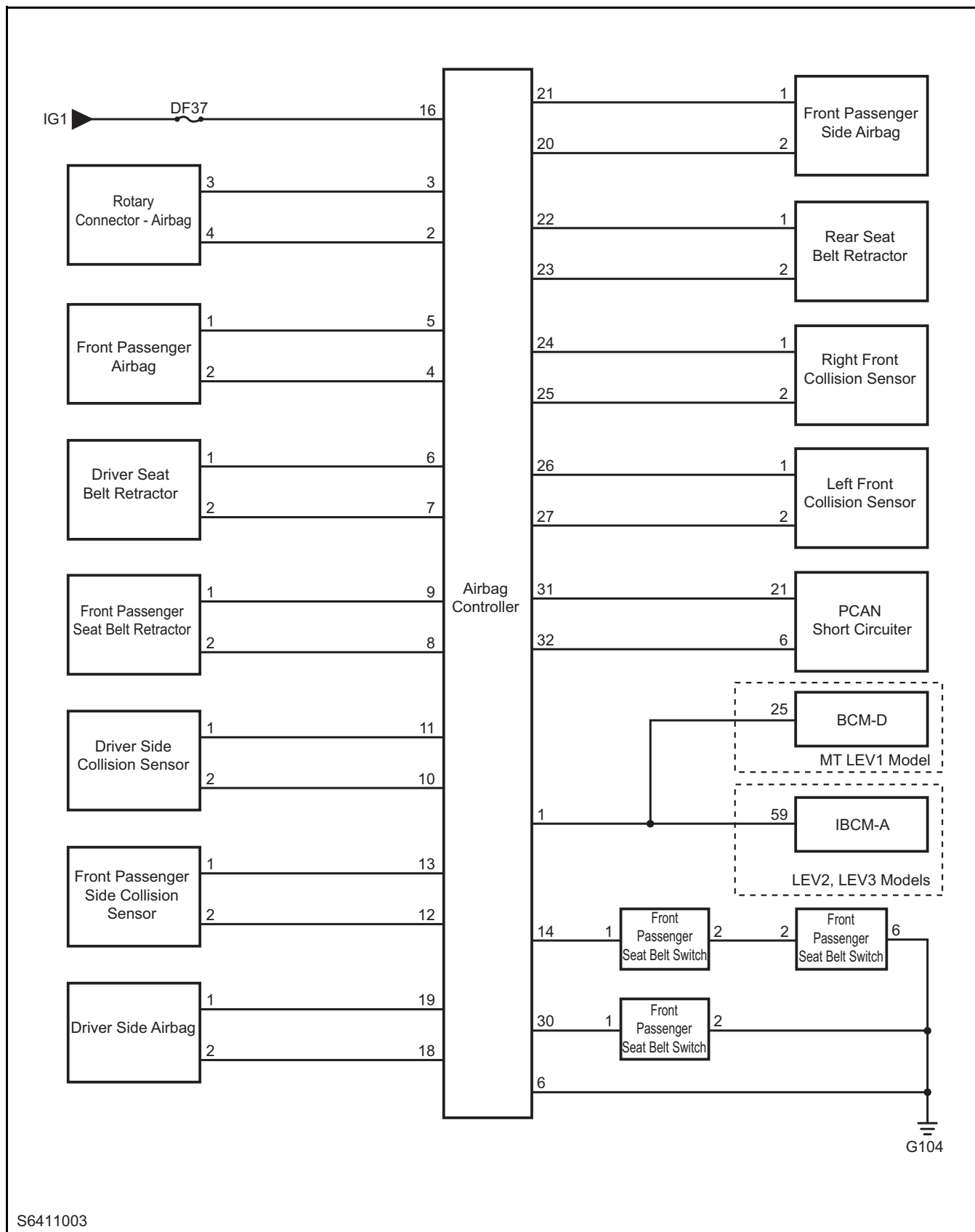
P27

Room Temperature Sensor



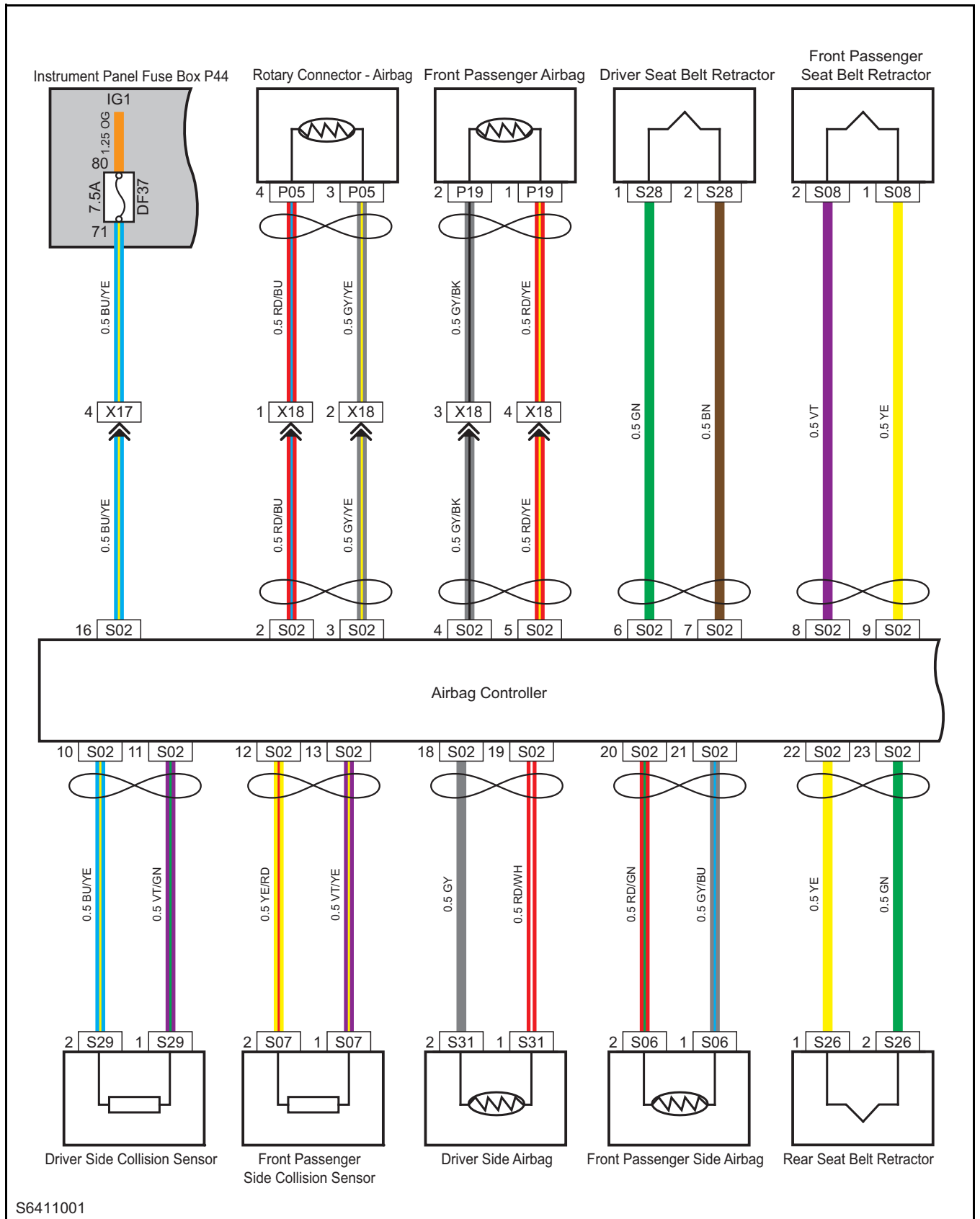
P39

Airbag Restraint System

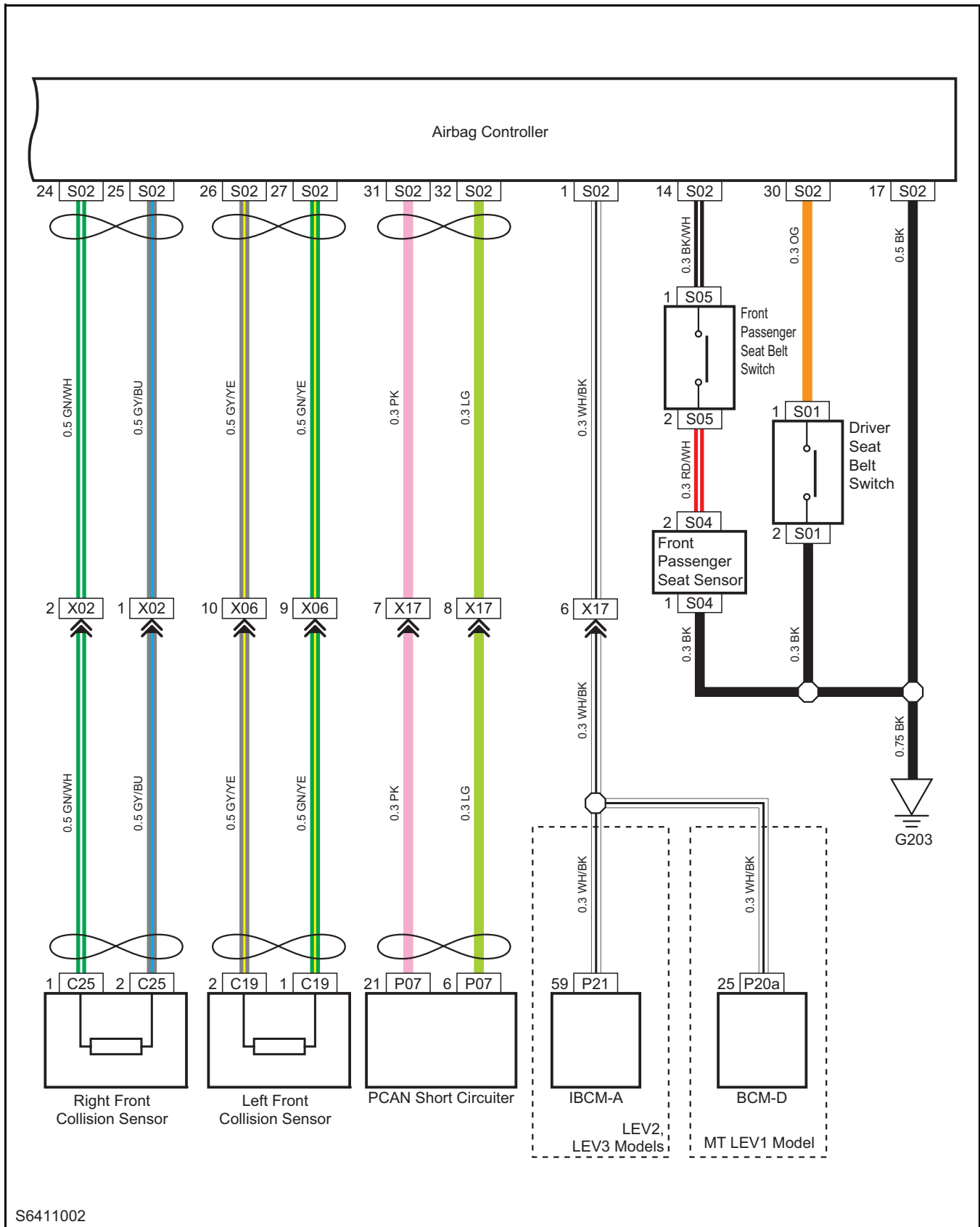


S6411003

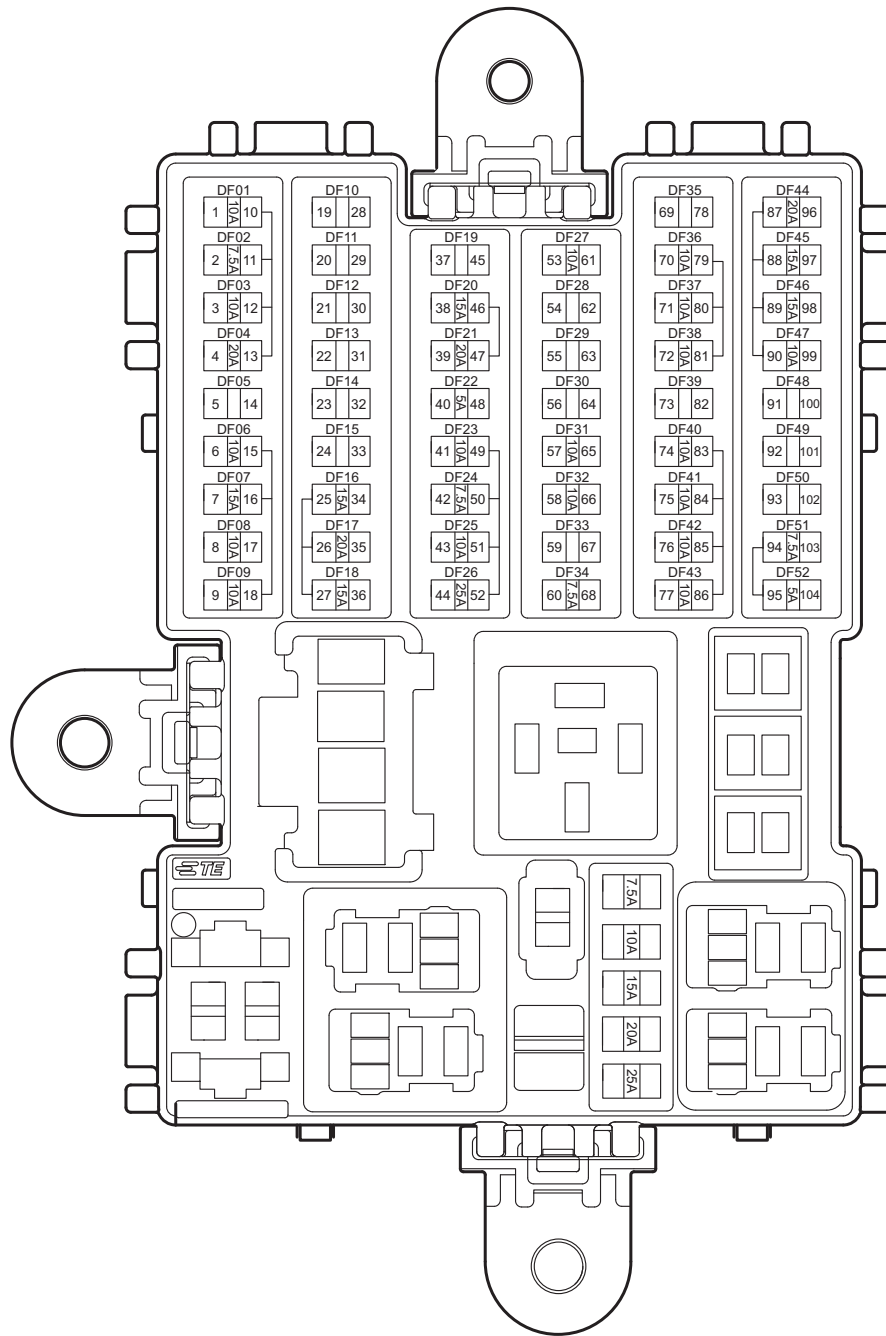
Power Supply/Actuator



Sensor/Switch

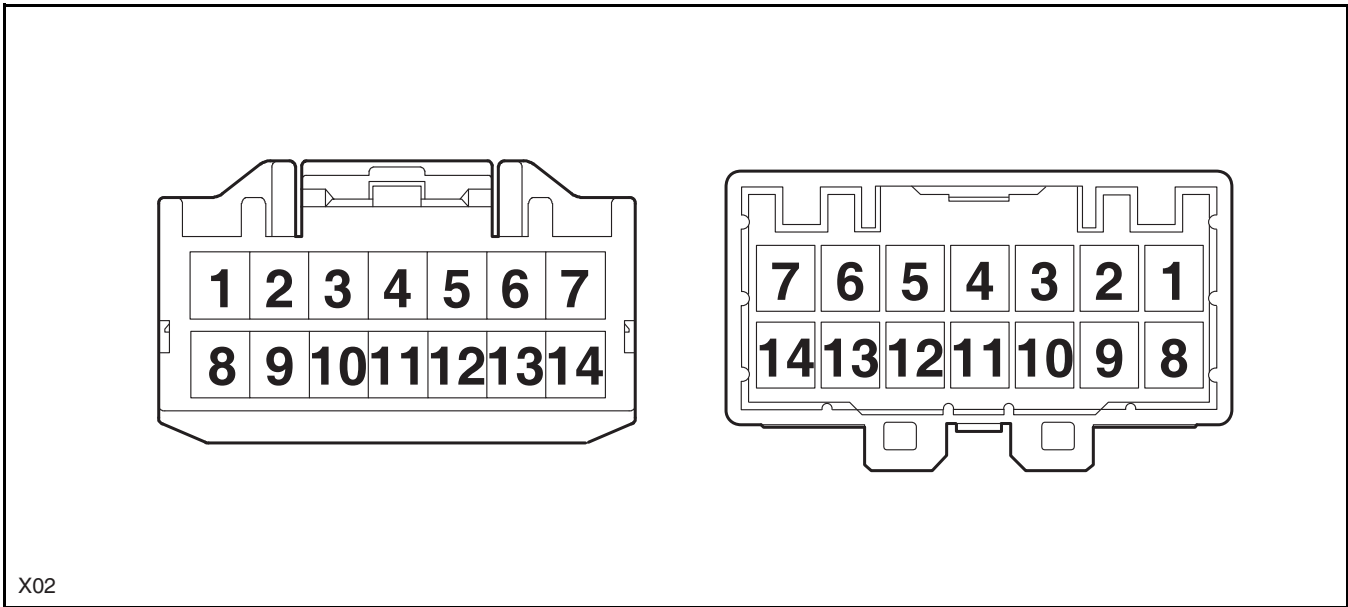


Instrument Panel Fuse Box



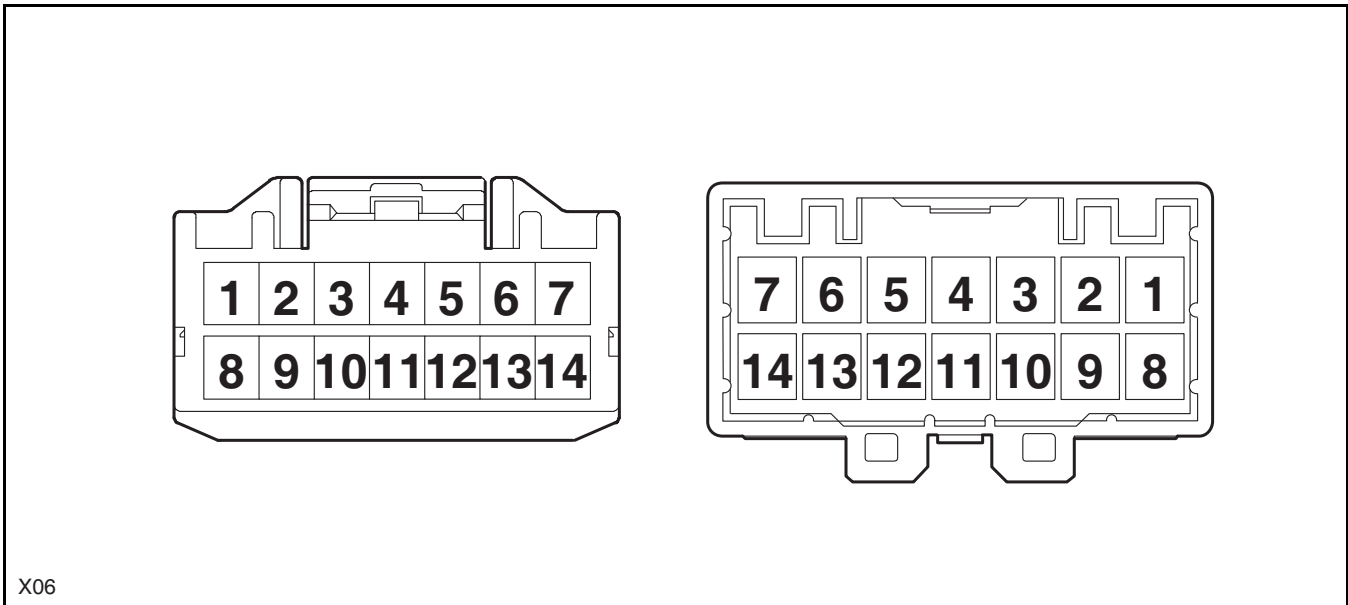
Engine Compartment Wiring Harness to Chassis
Wiring Harness B

Chassis Wiring Harness to Engine Compartment
Wiring Harness B



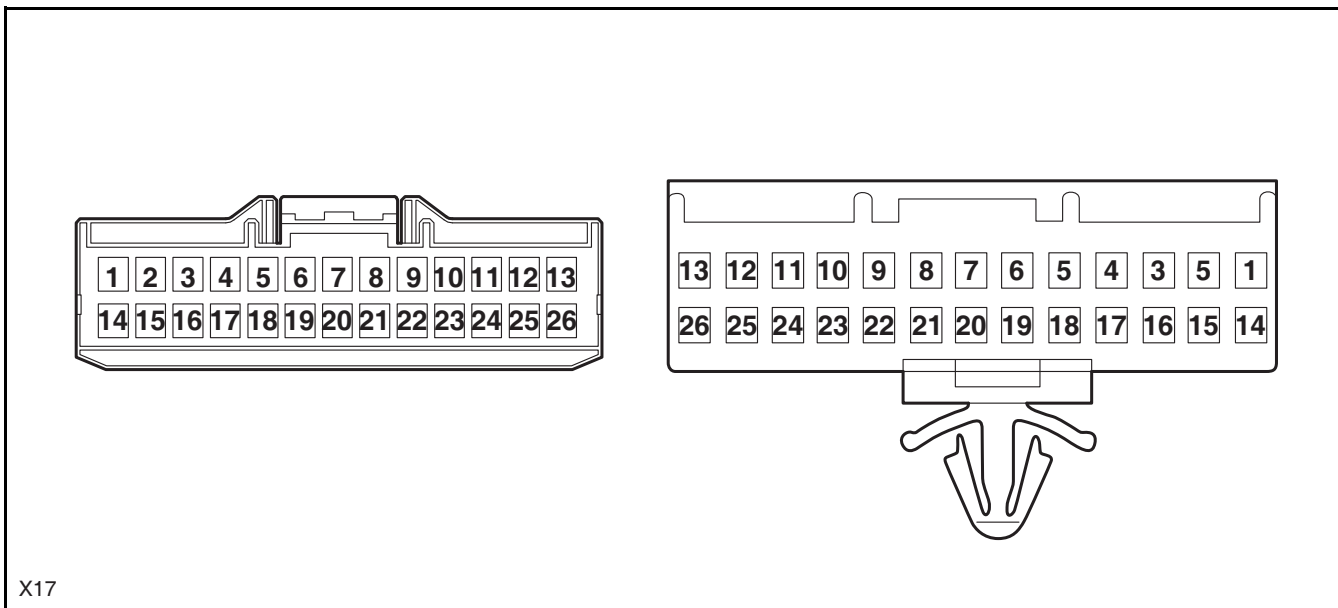
Engine Compartment Wiring Harness to Chassis
Wiring Harness A

Chassis Wiring Harness to Engine Compartment
Wiring Harness A



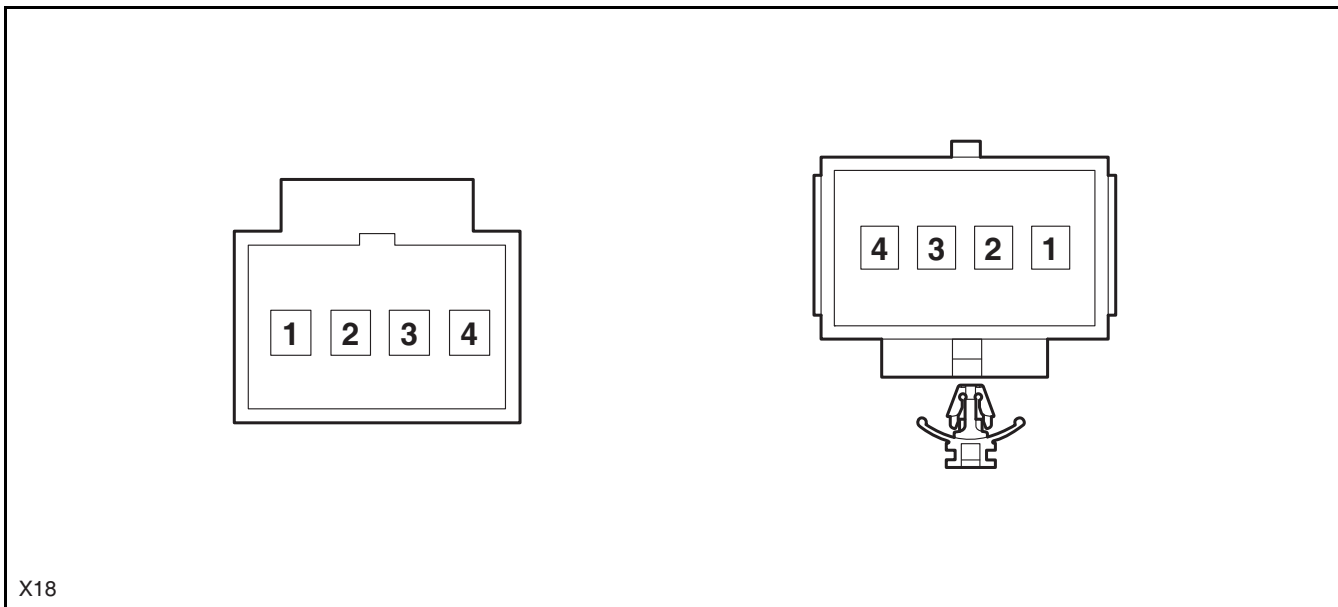
Instrument Panel Wiring Harness to Chassis Wiring
Harness D

Chassis Wiring Harness to Instrument Panel Wiring
Harness D



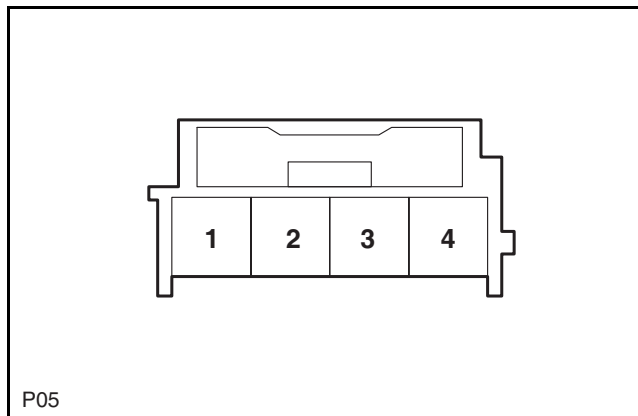
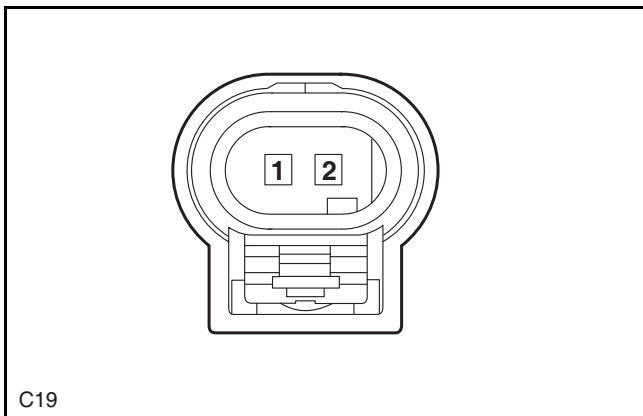
Instrument Panel Wiring Harness to Chassis Wiring
Harness B

Chassis Wiring Harness to Instrument Panel Wiring
Harness B

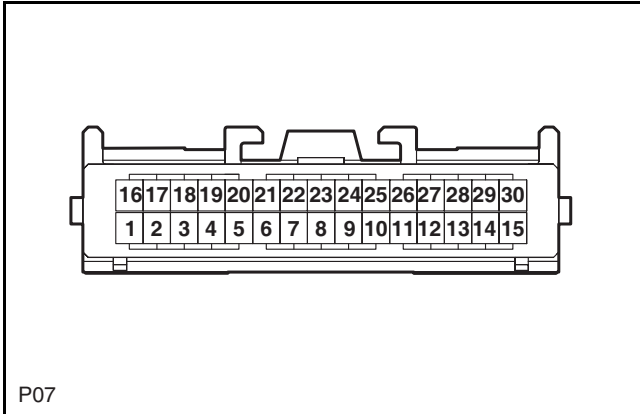


Left Front Collision Sensor

Rotary Connector - Airbag

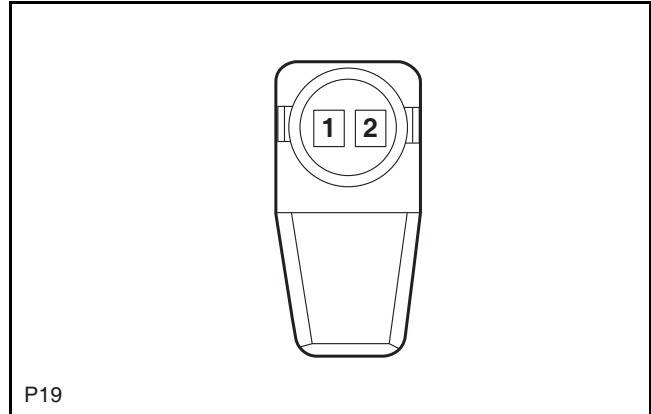


PCAN Short Circuiter

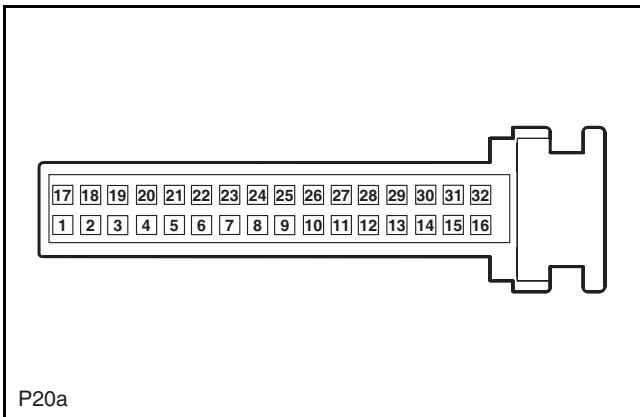


BCM-D

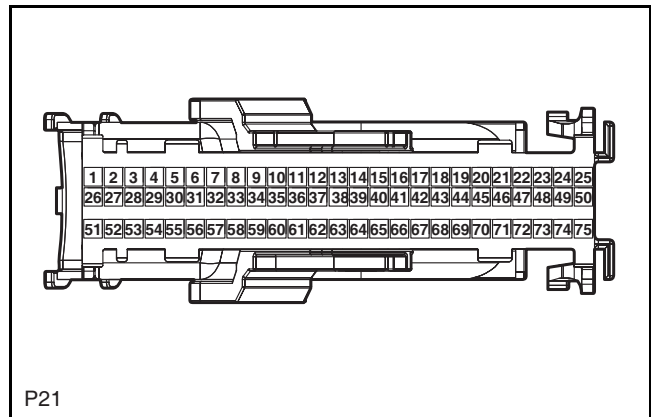
Front Passenger Airbag



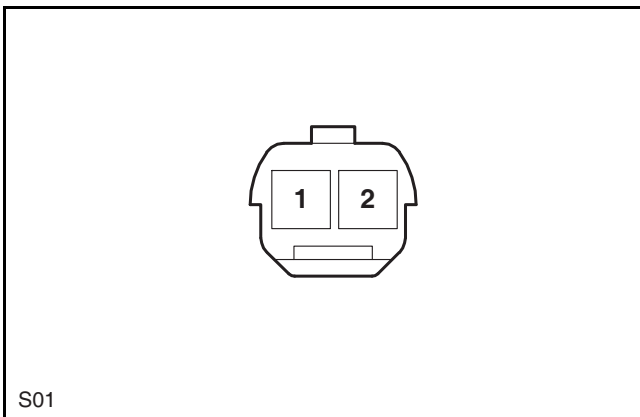
IBCM-A



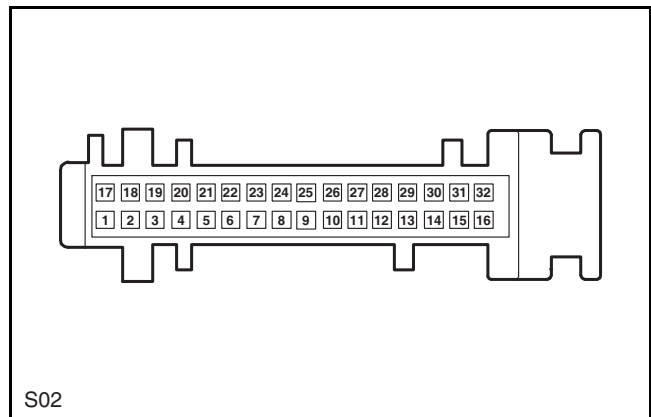
Driver Seat Belt Switch



Airbag Controller

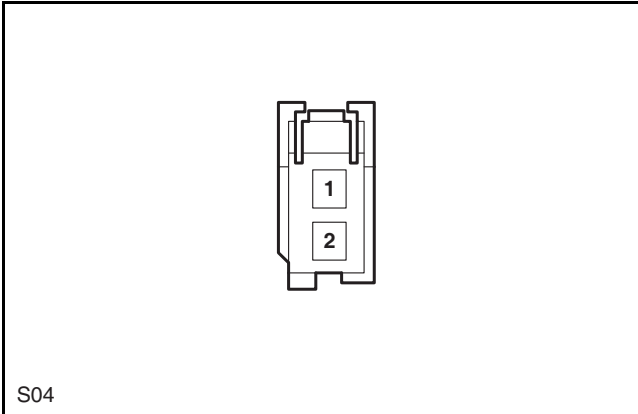


S01

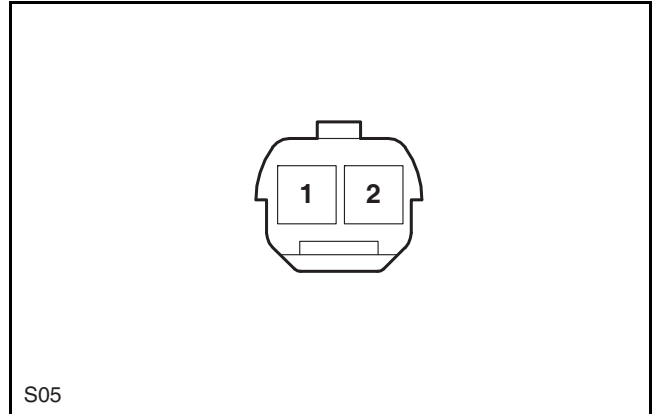


S02

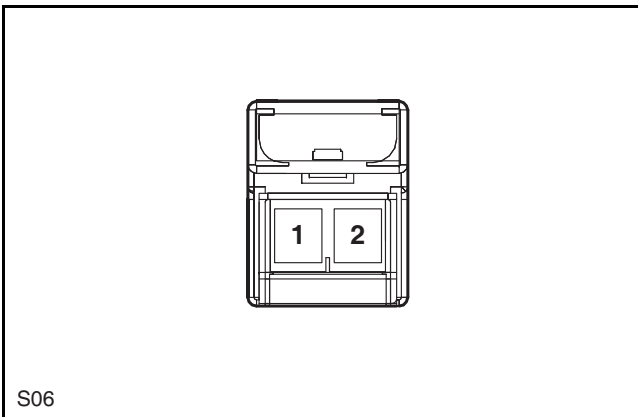
Front Passenger Seat Sensor



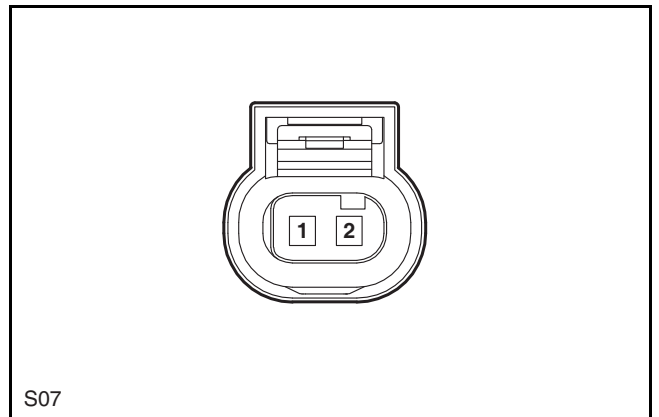
Front Passenger Seat Belt Switch



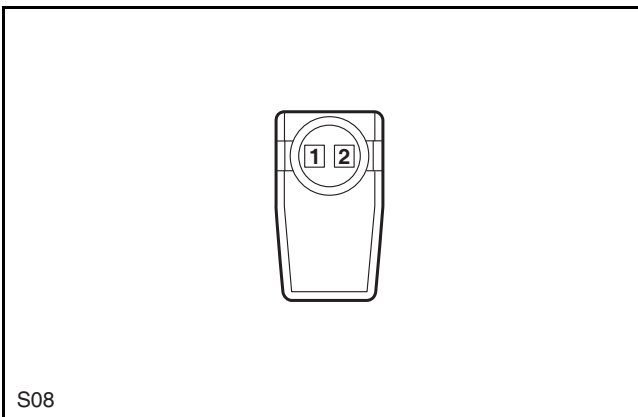
Front Passenger Side Airbag



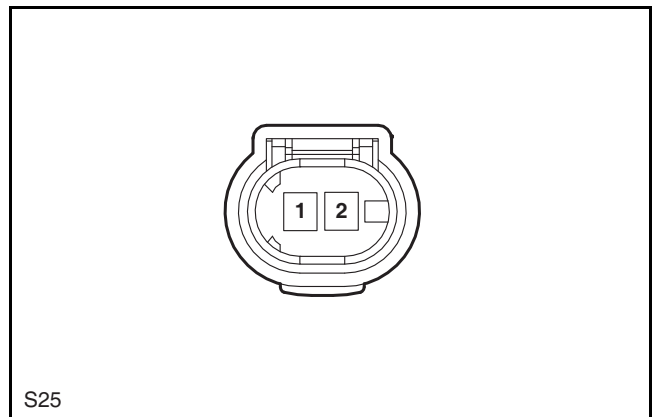
Front Passenger Side Collision Sensor



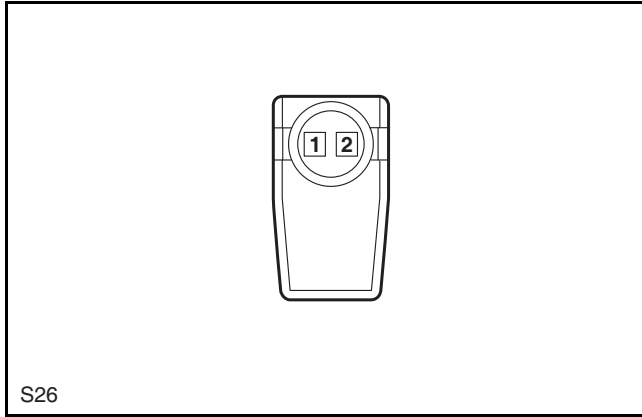
Front Passenger Seat Belt Retractor



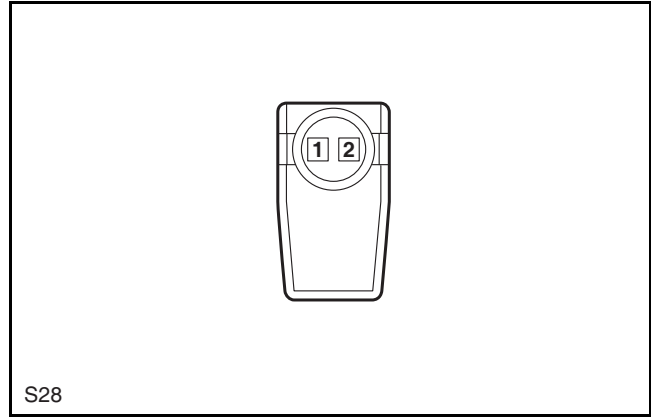
Left Rear Wheel Speed Sensor



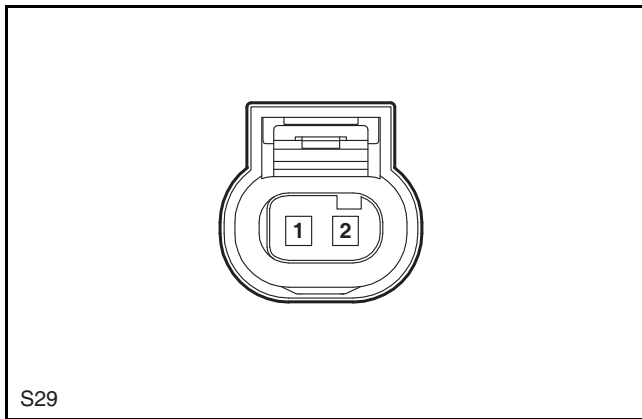
Rear Seat Belt Retractor



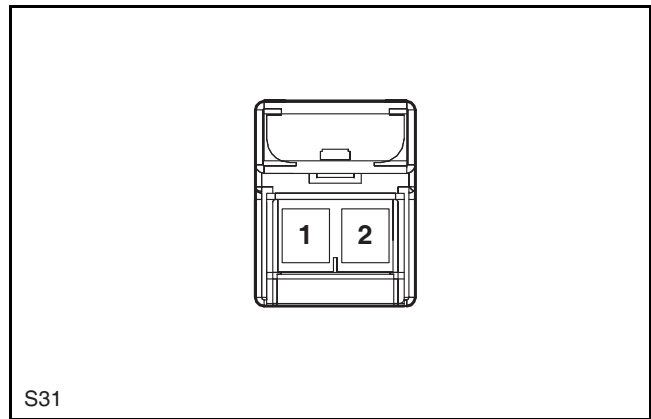
Driver Seat Belt Retractor



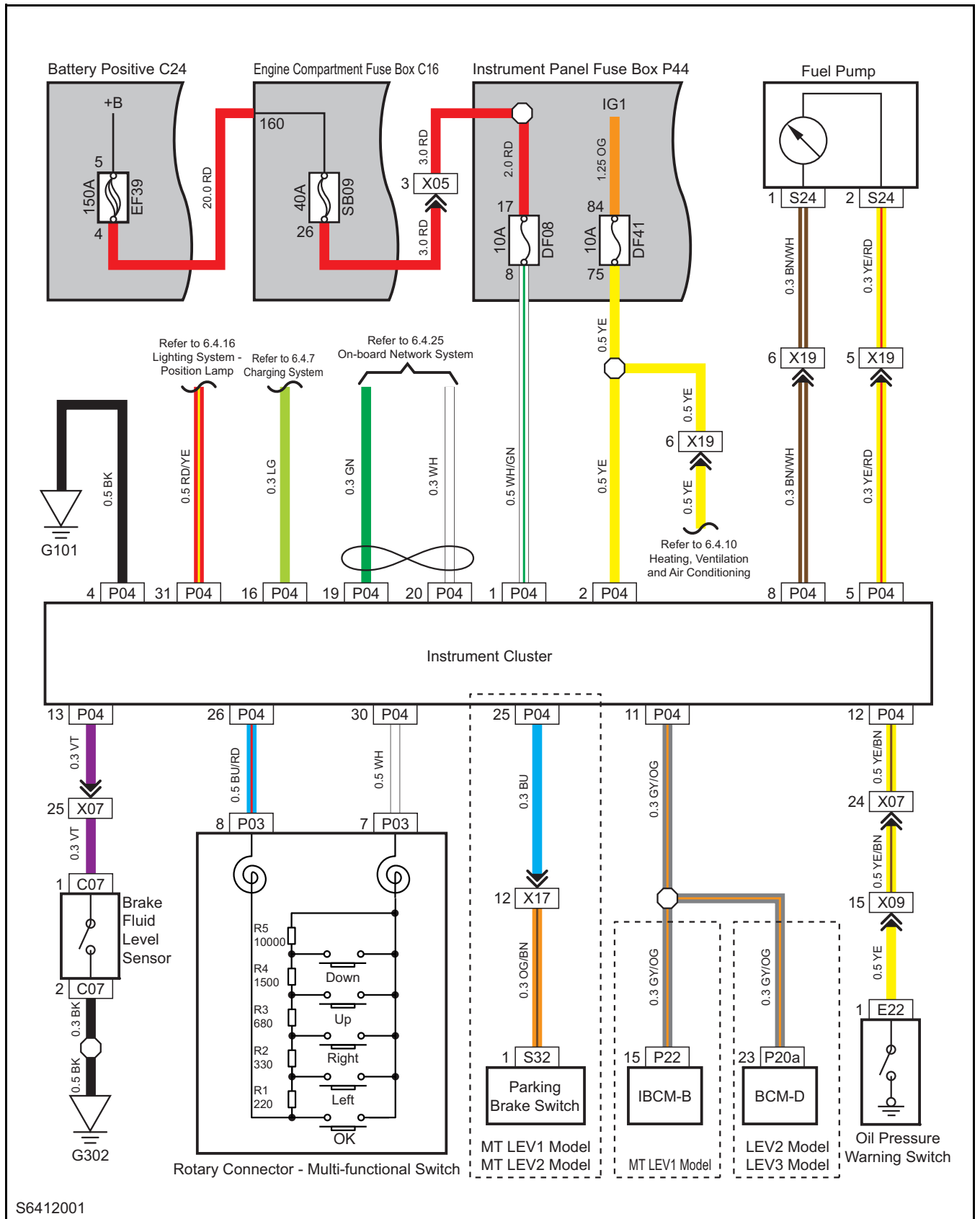
Driver Side Collision Sensor



Driver Side Airbag

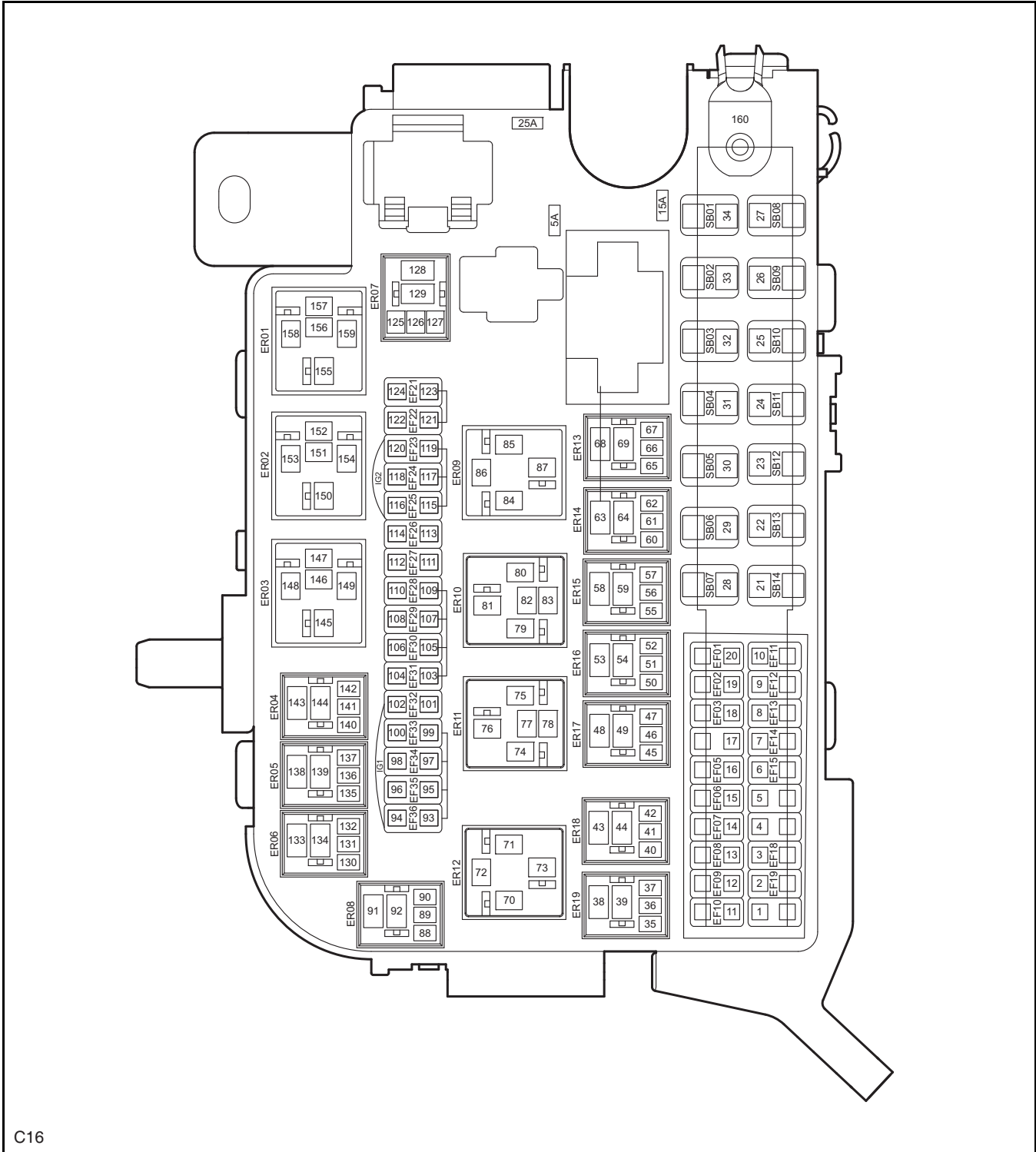


Instrument Cluster

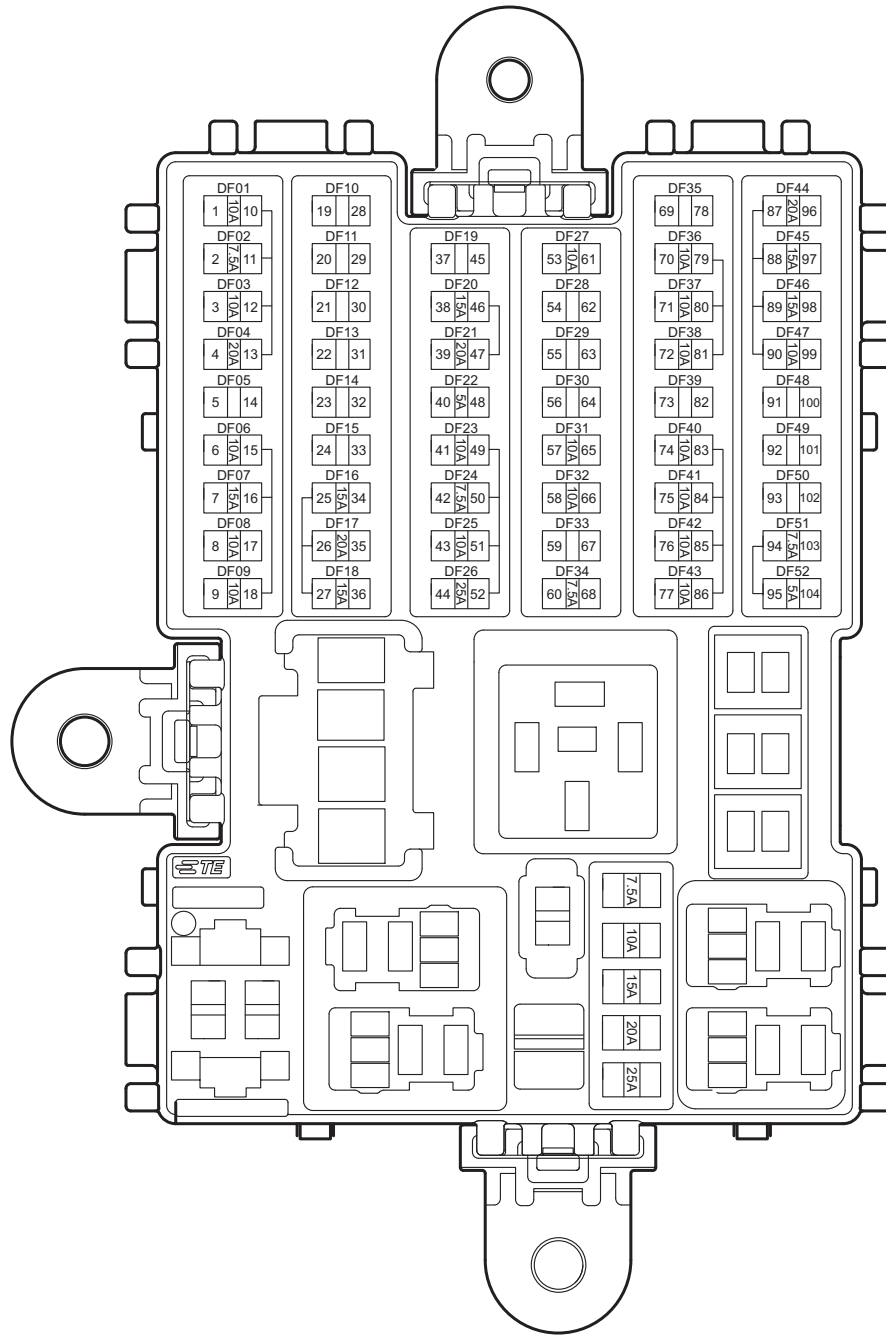


S6412001

Engine Compartment Fuse Box

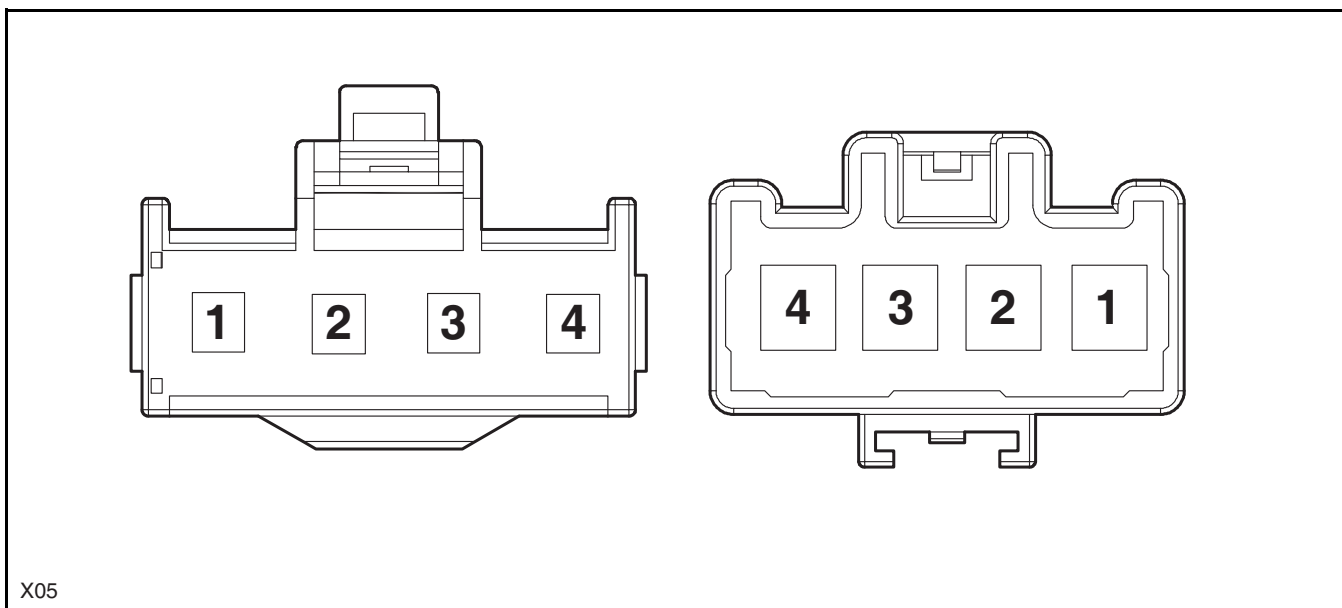


Instrument Panel Fuse Box



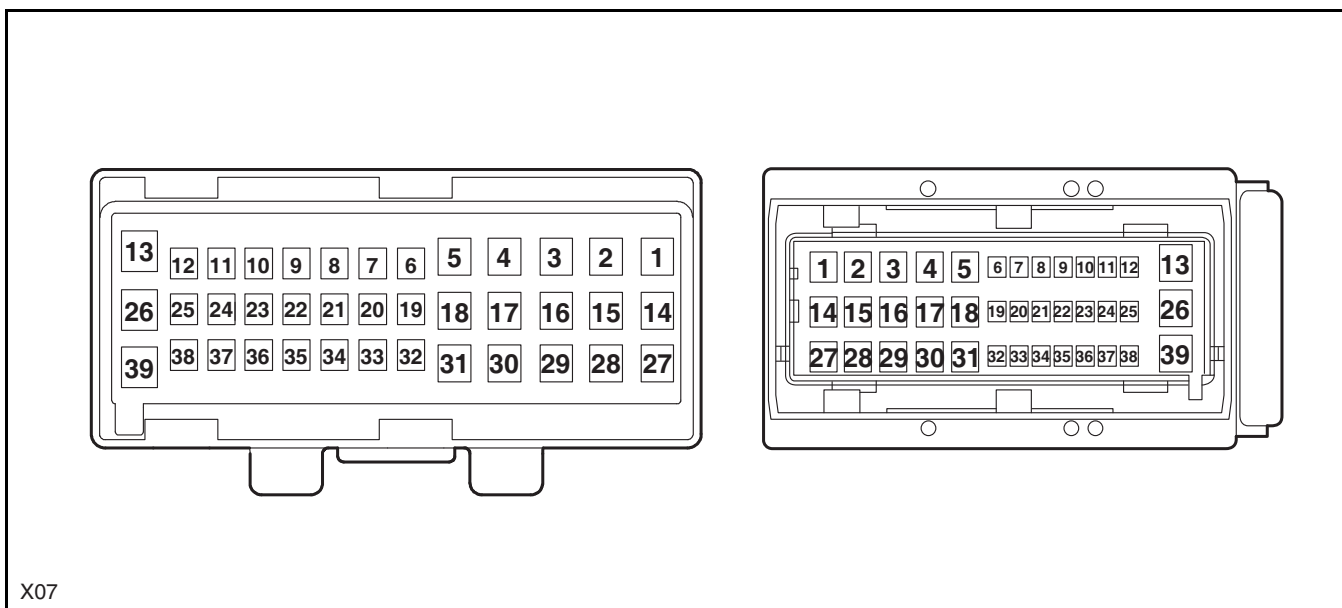
Engine Compartment Wiring Harness to Instrument Panel Wiring Harness C

Instrument Panel Wiring Harness to Engine Compartment Wiring Harness C



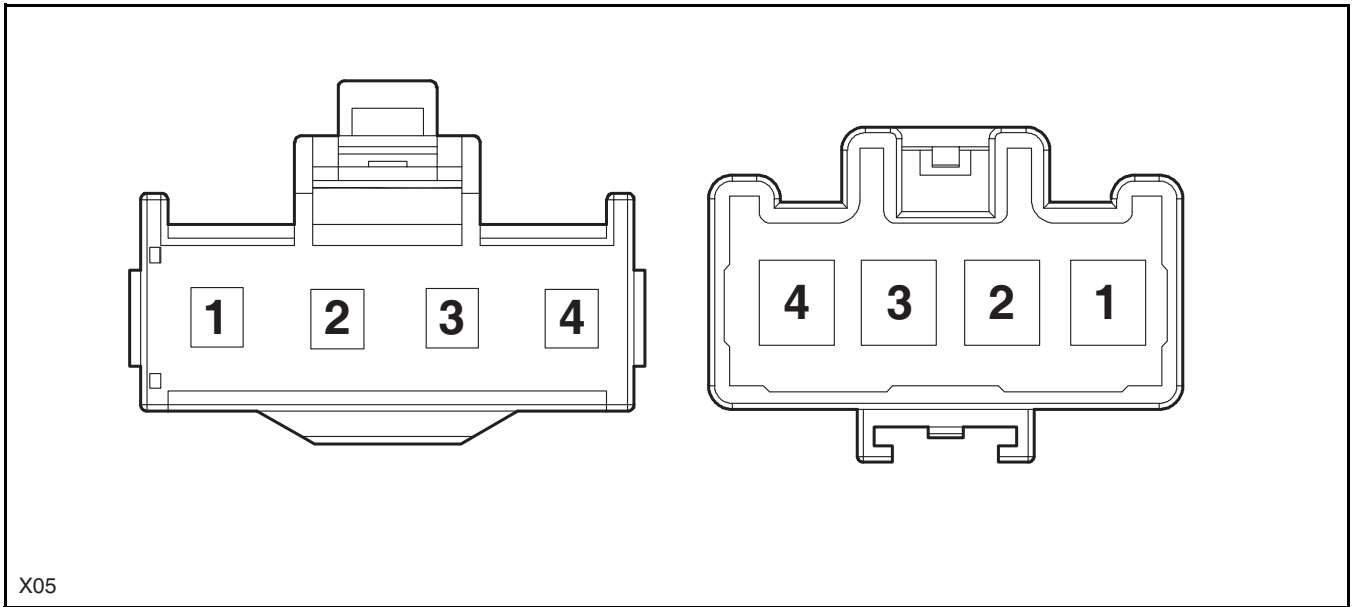
Engine Compartment Wiring Harness to Instrument Panel Wiring Harness A

Instrument Panel Wiring Harness to Engine Compartment Wiring Harness A



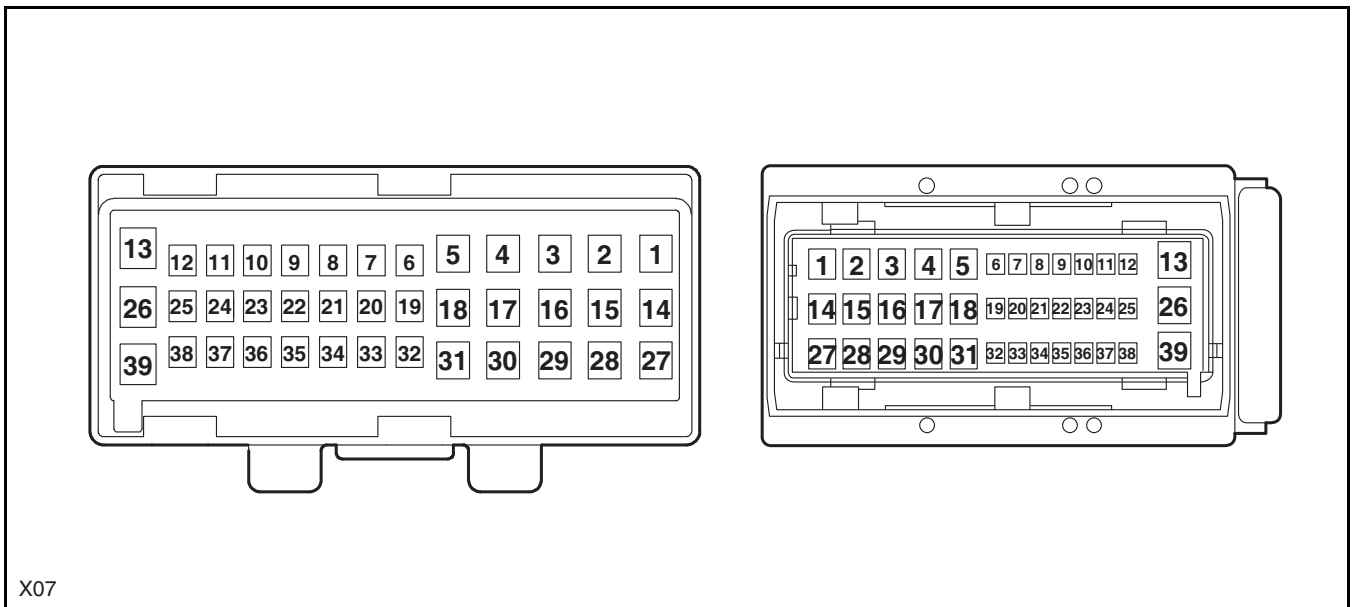
Engine Compartment Wiring Harness to Engine Wiring Harness

Engine Wiring Harness to Engine Compartment Wiring Harness



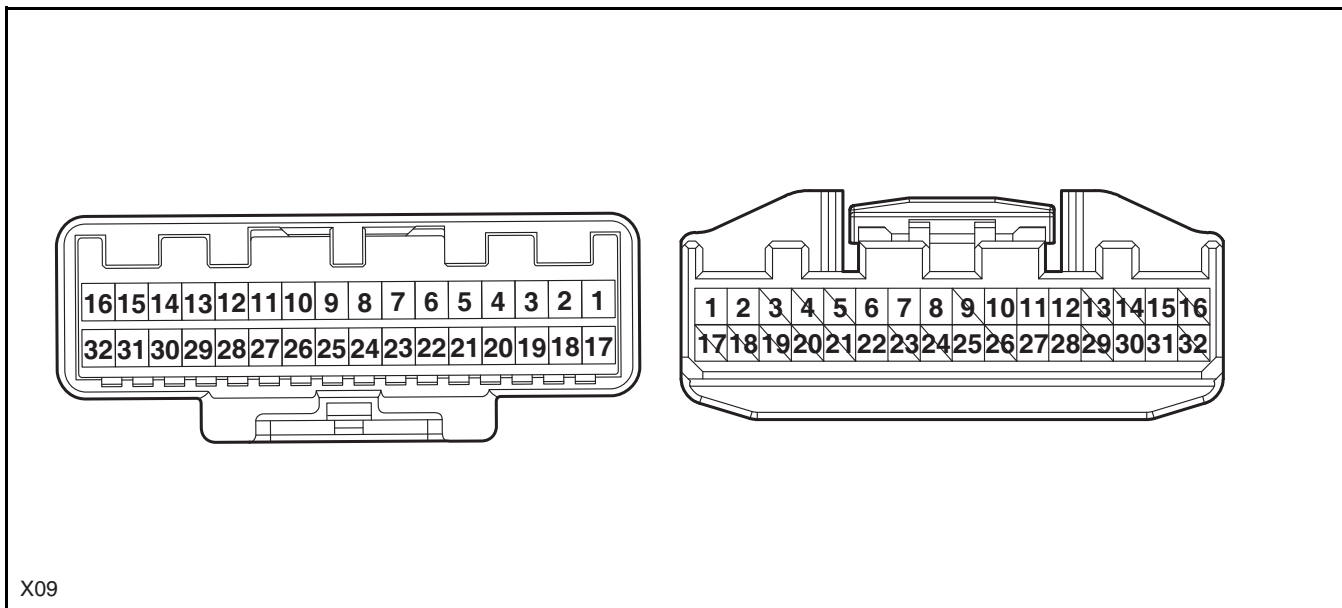
Instrument Panel Wiring Harness to Chassis Wiring Harness - Left

Chassis Wiring Harness to Instrument Panel Wiring Harness - Left



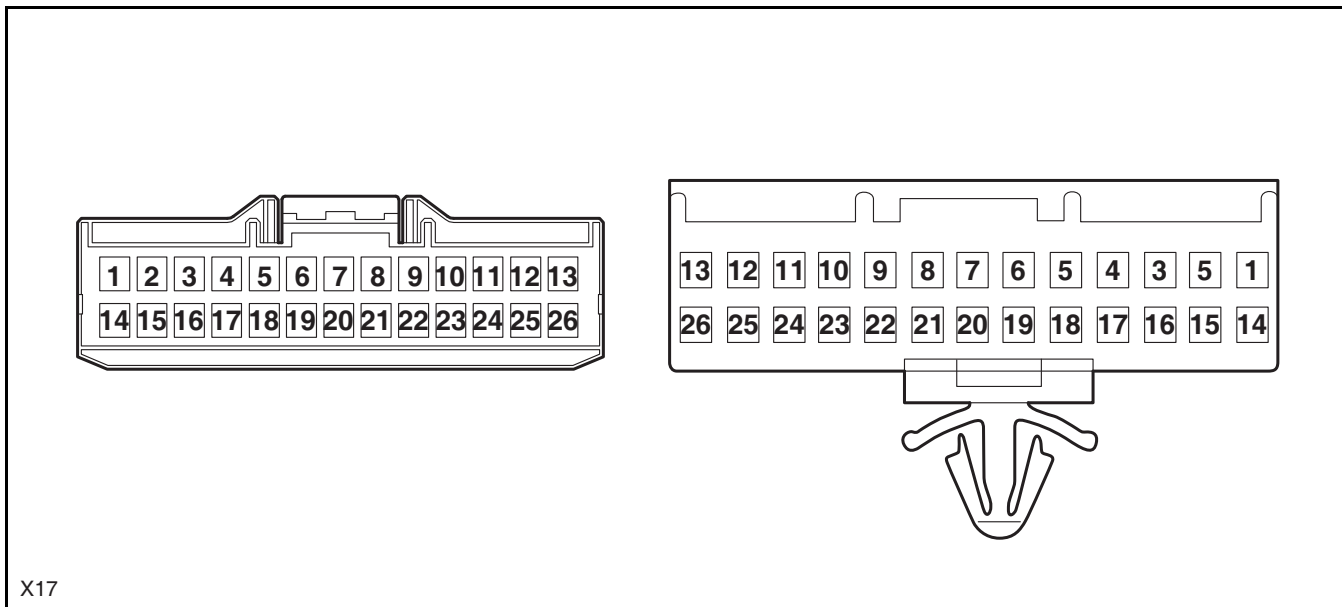
Engine Compartment Wiring Harness to Engine Wiring Harness A

Engine Wiring Harness to Engine Compartment Wiring Harness A



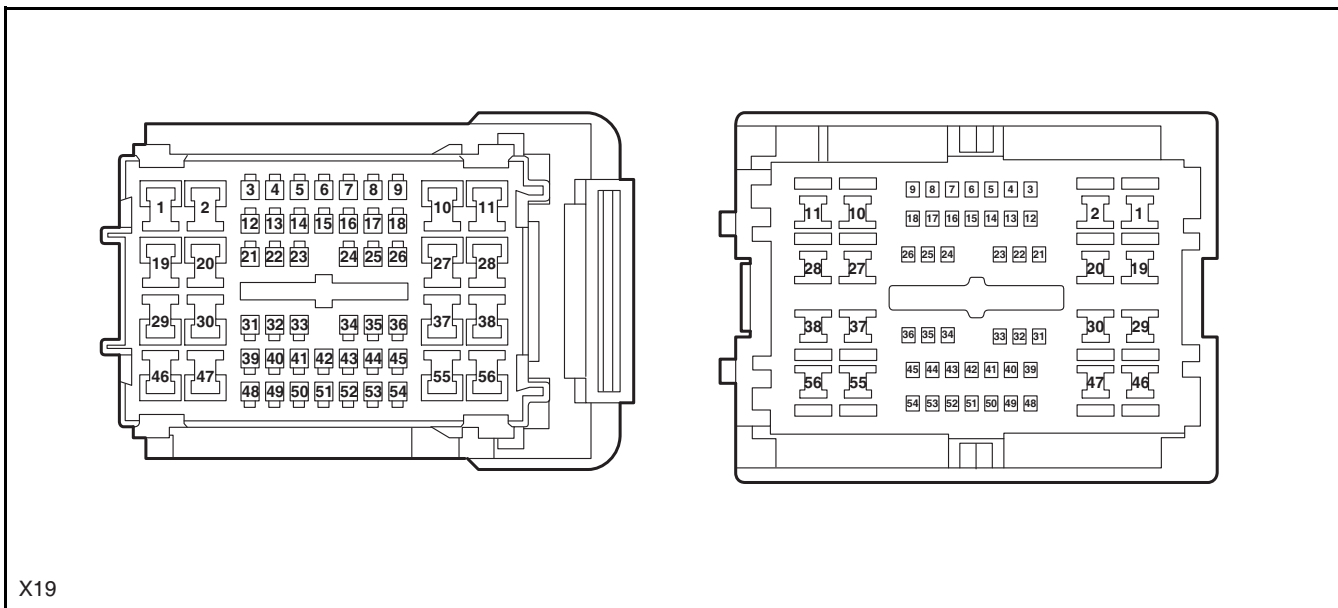
Instrument Panel Wiring Harness to Chassis Wiring Harness D

Chassis Wiring Harness to Instrument Panel Wiring Harness D



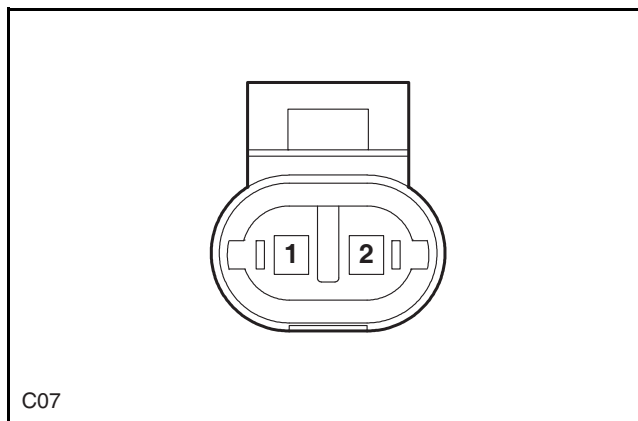
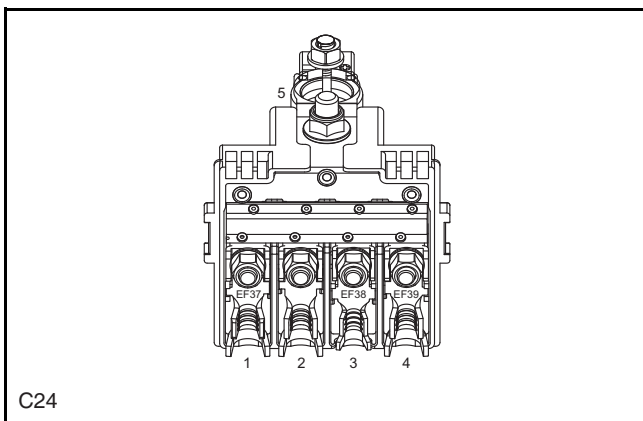
Instrument Panel Wiring Harness to Chassis Wiring Harness A

Chassis Wiring Harness to Instrument Panel Wiring Harness A



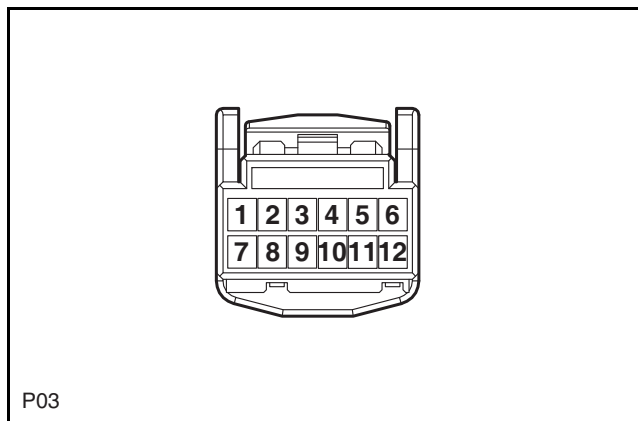
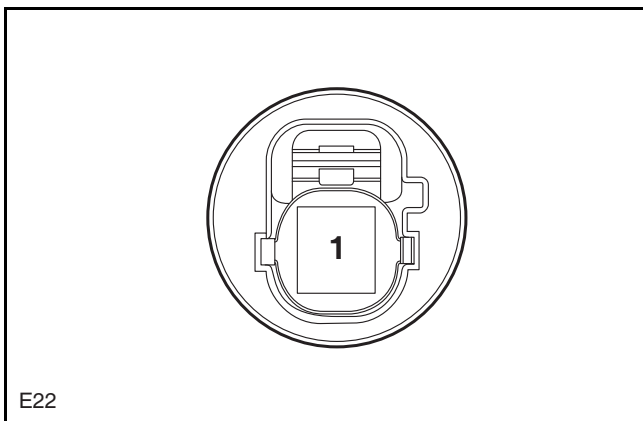
Battery Positive

Brake Fluid Level Sensor



Oil Pressure Warning Switch

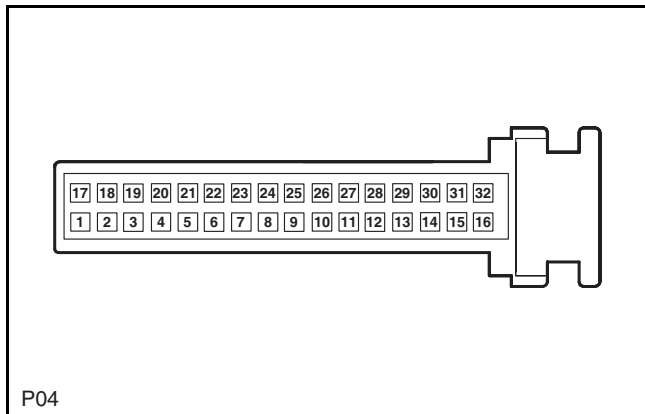
Rotary Connector - Multi-functional Switch



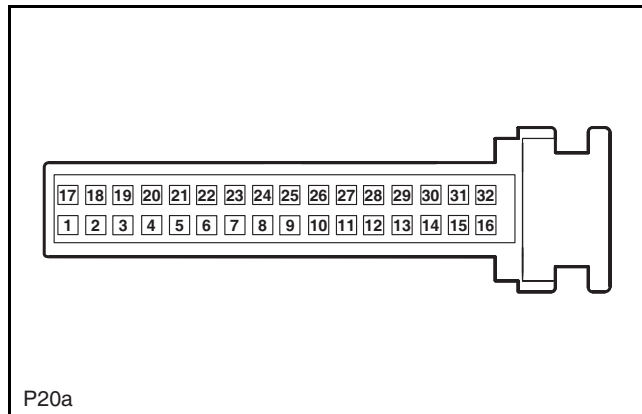
E22

P03

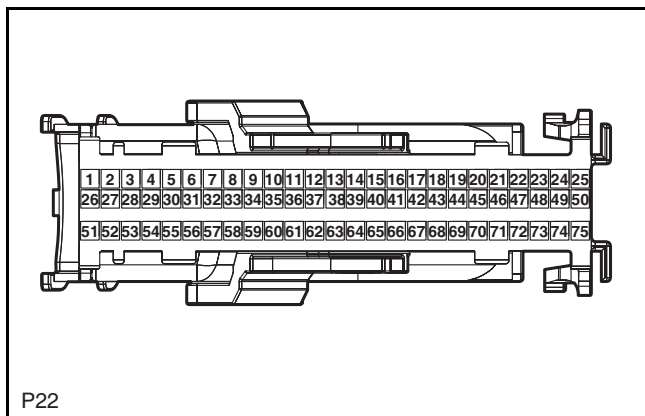
Instrument Cluster



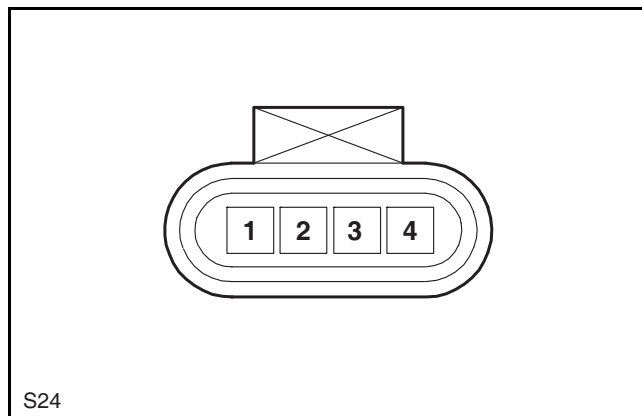
BCM-D



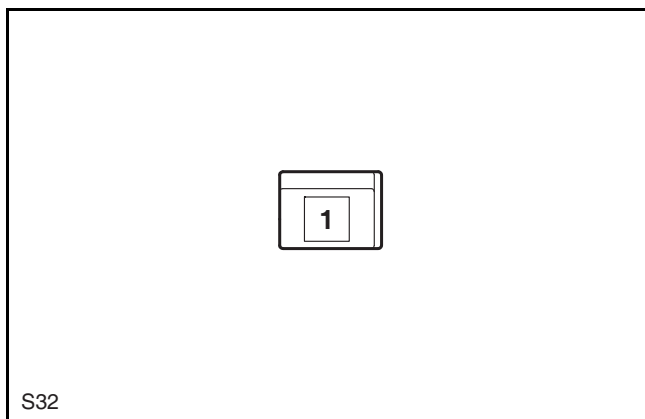
IBCM-B



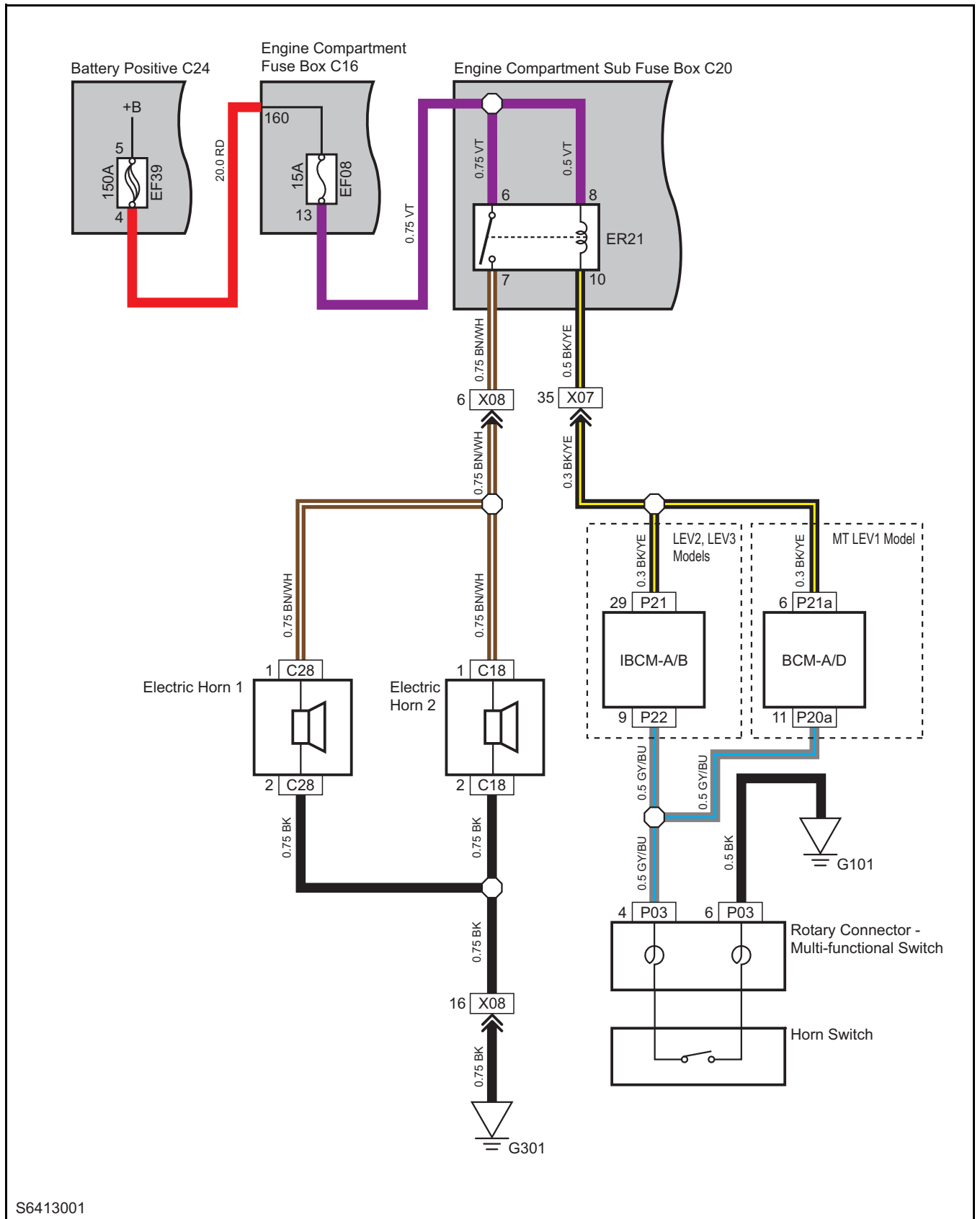
Fuel Pump



Parking Brake Switch

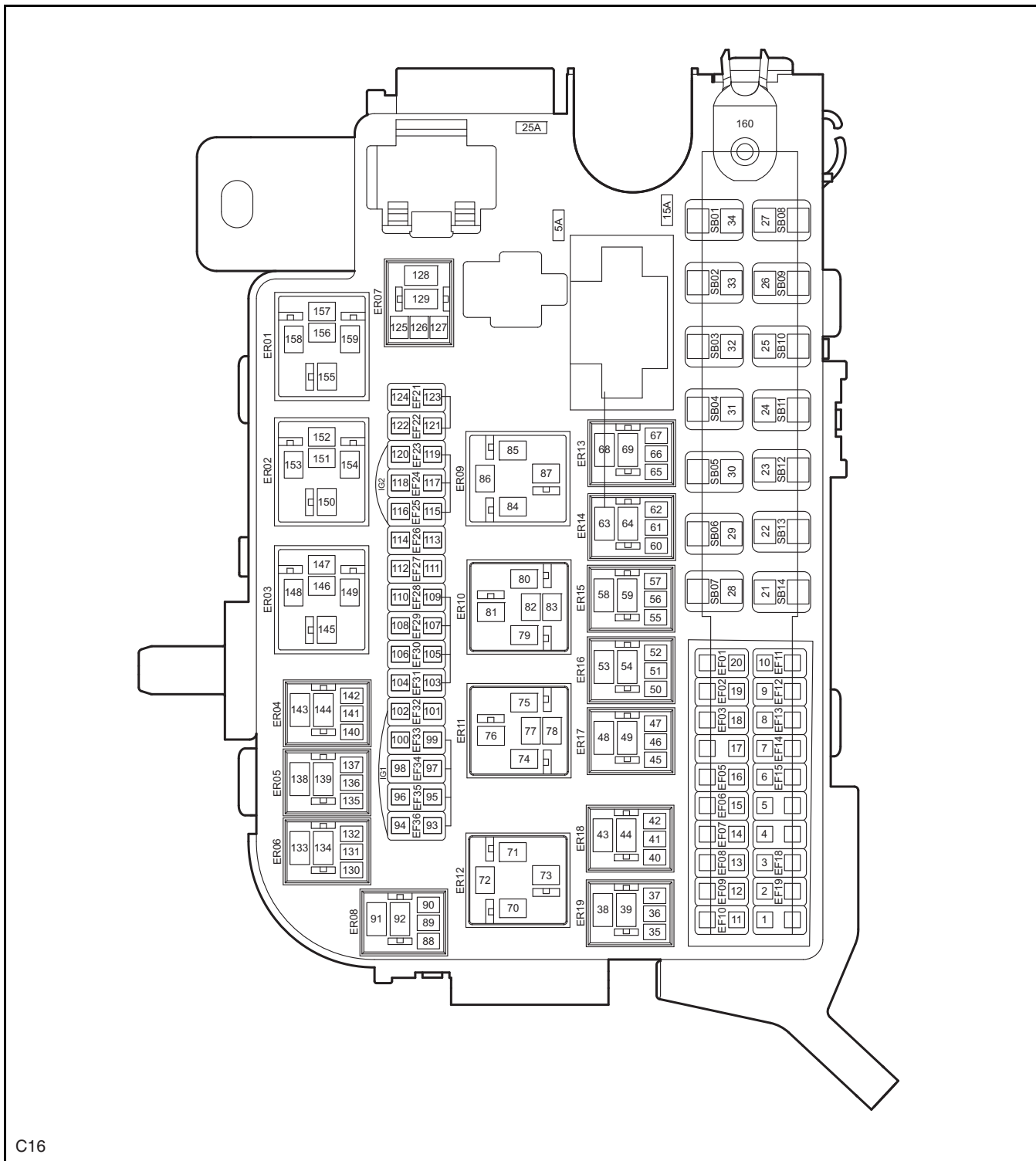


Horn

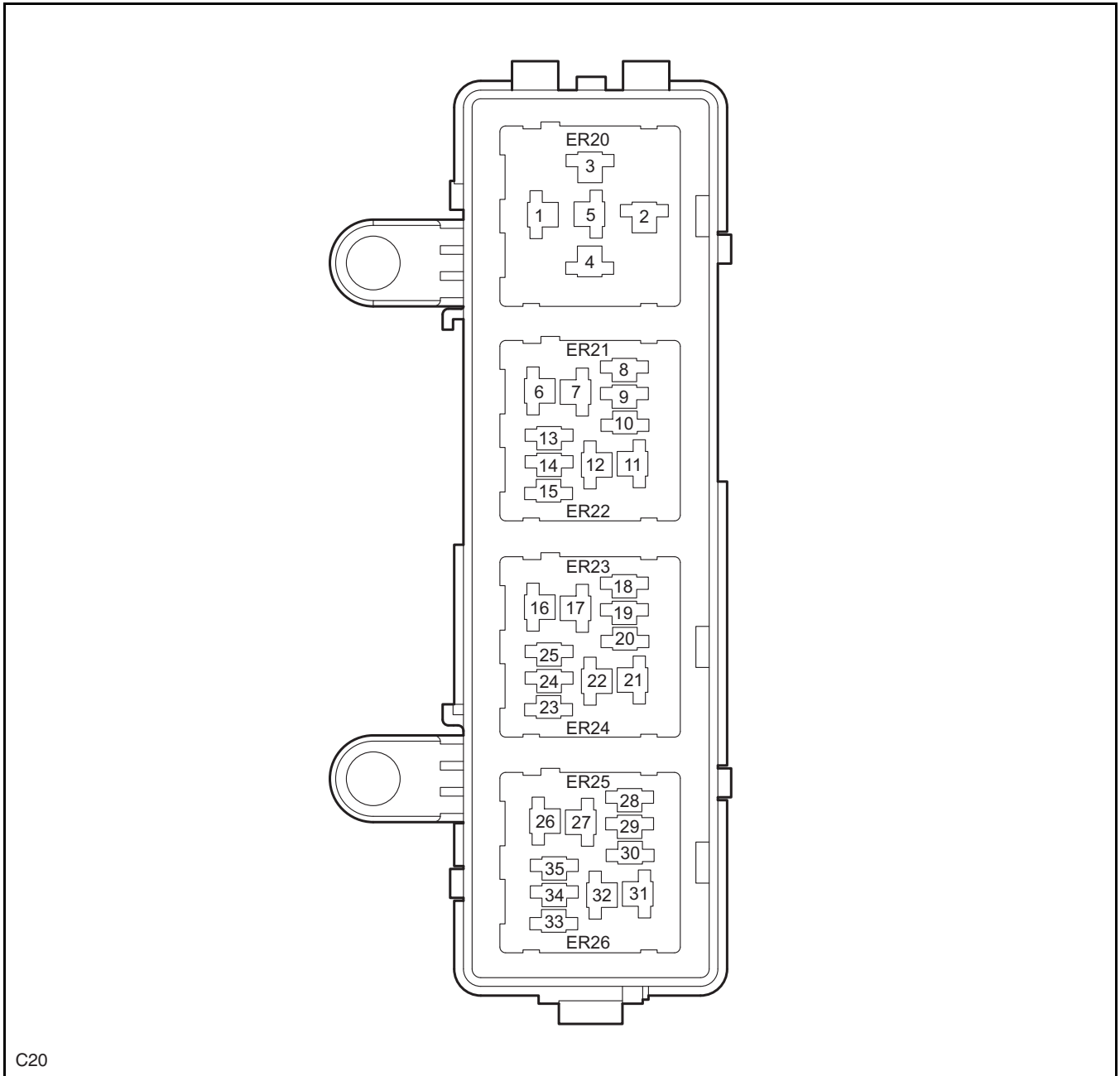


S6413001

Engine Compartment Fuse Box

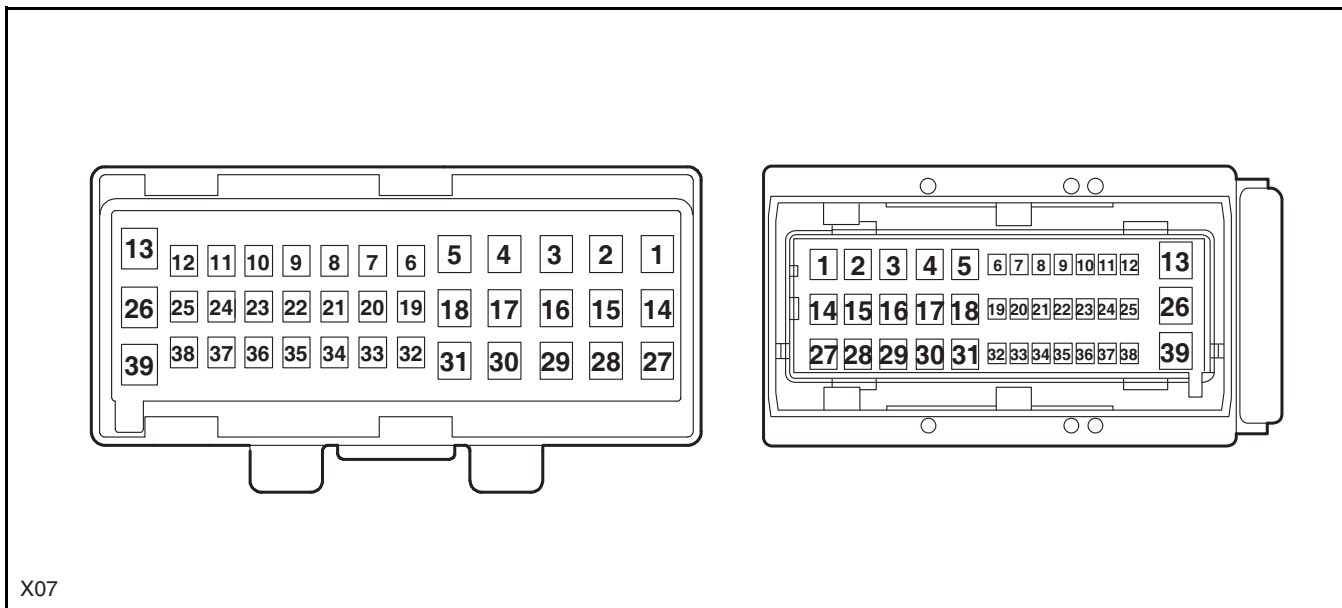


Engine Compartment Sub Fuse Box



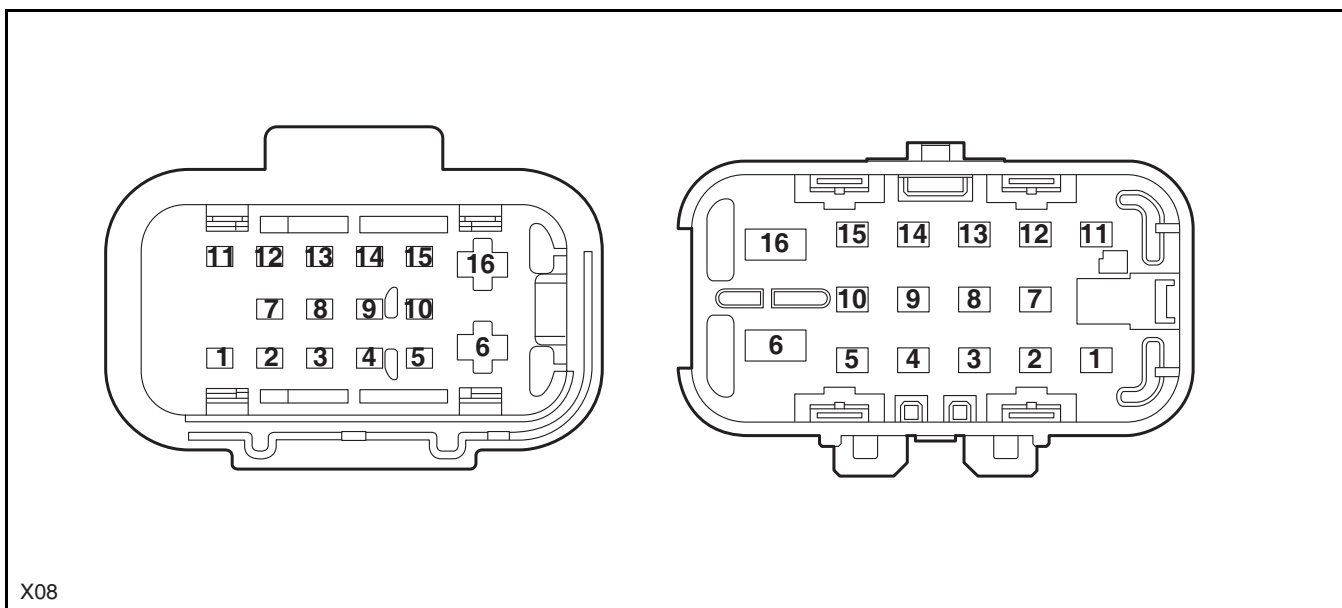
Engine Compartment Wiring Harness to Instrument Panel Wiring Harness A

Instrument Panel Wiring Harness to Engine Compartment Wiring Harness A



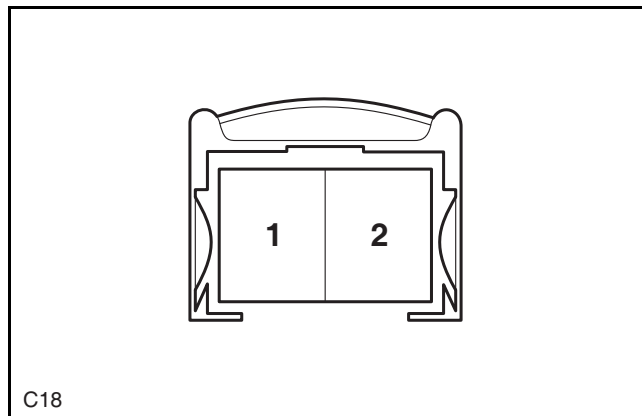
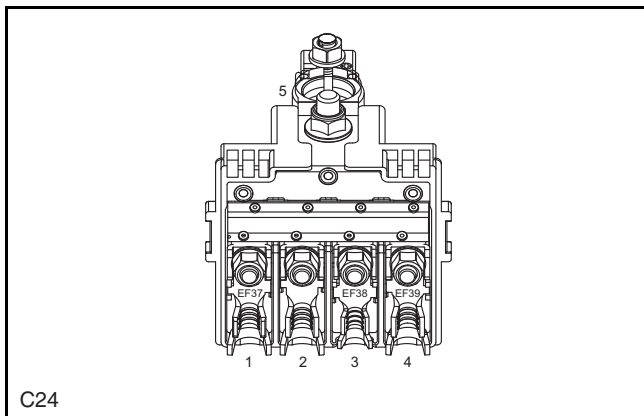
Engine Compartment Wiring Harness to Front End Module Wiring Harness

Front End Module Wiring Harness to Engine Compartment Wiring Harness

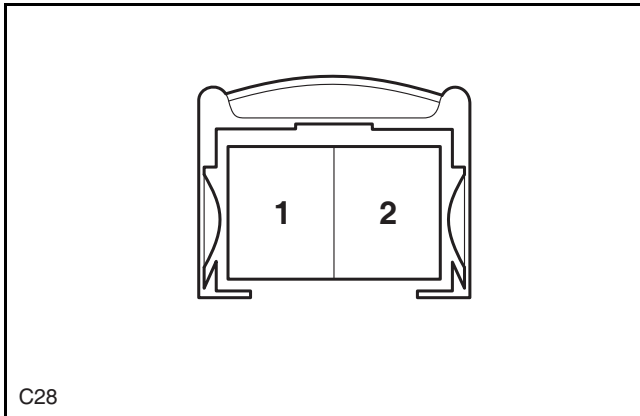


Battery Positive

Electric Horn 2

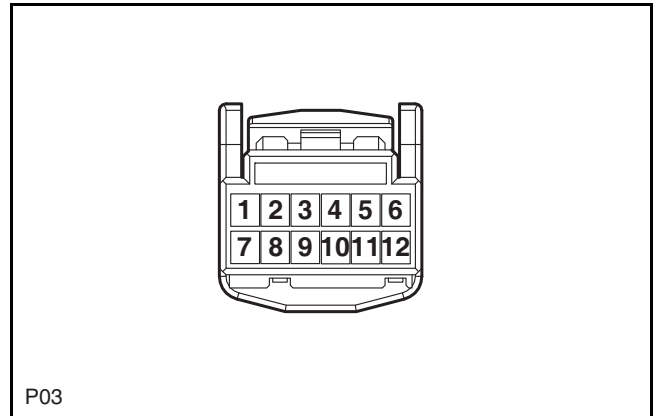


Electric Horn 1

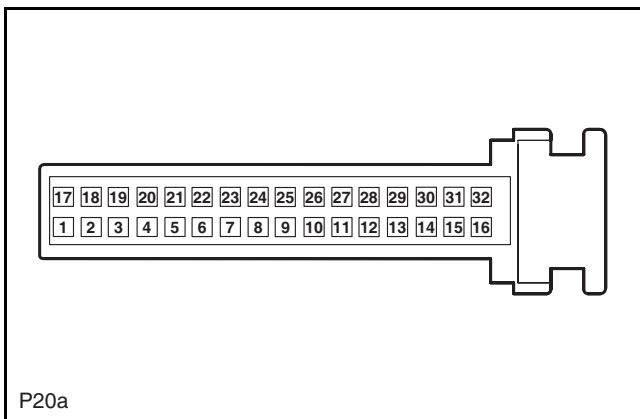


BCM-D

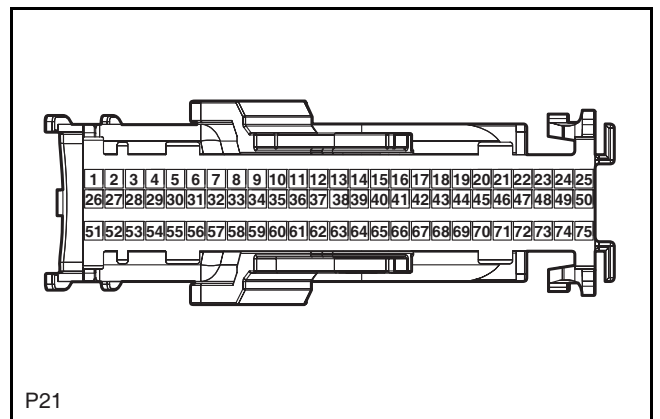
Rotary Connector - Multi-functional Switch



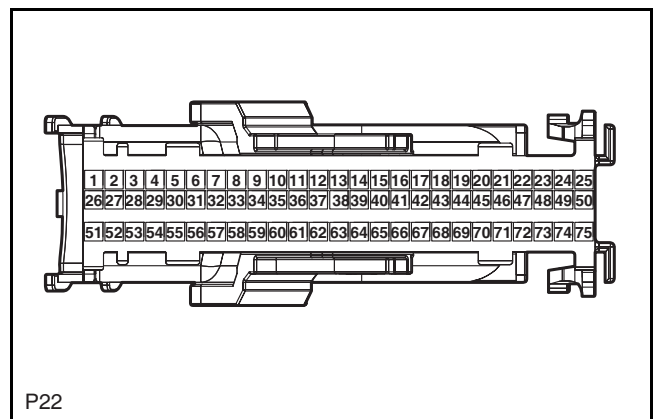
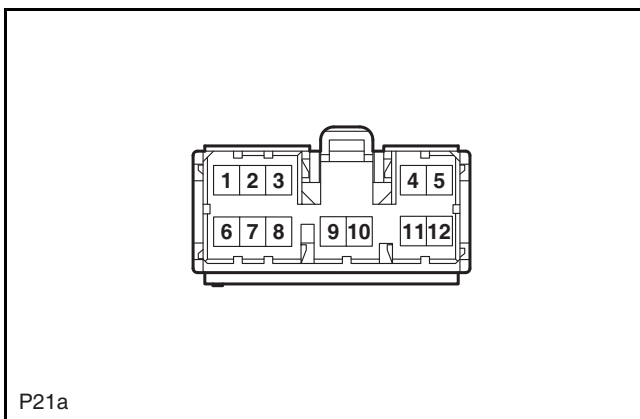
IBCM-A



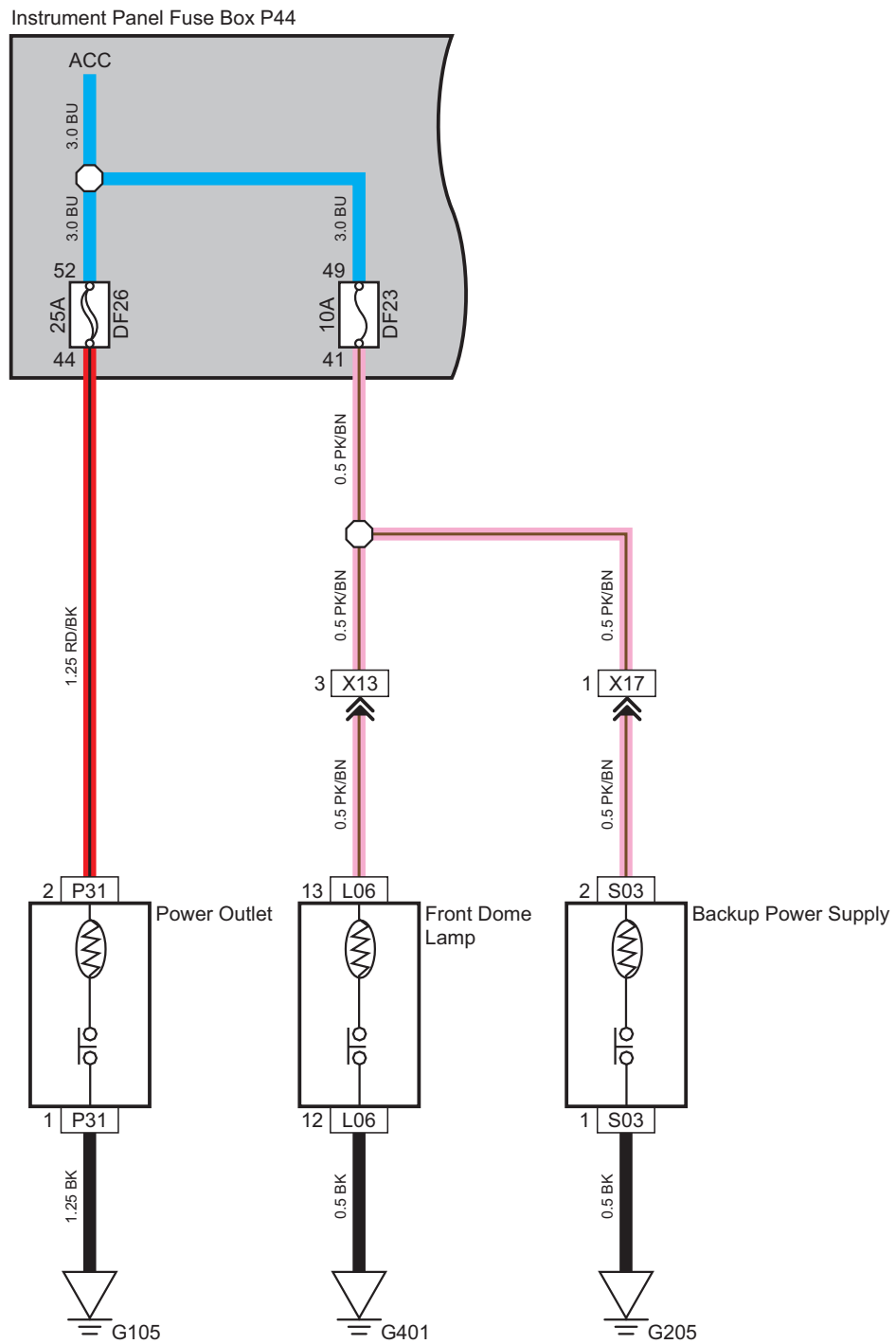
BCM-A



IBCM-B

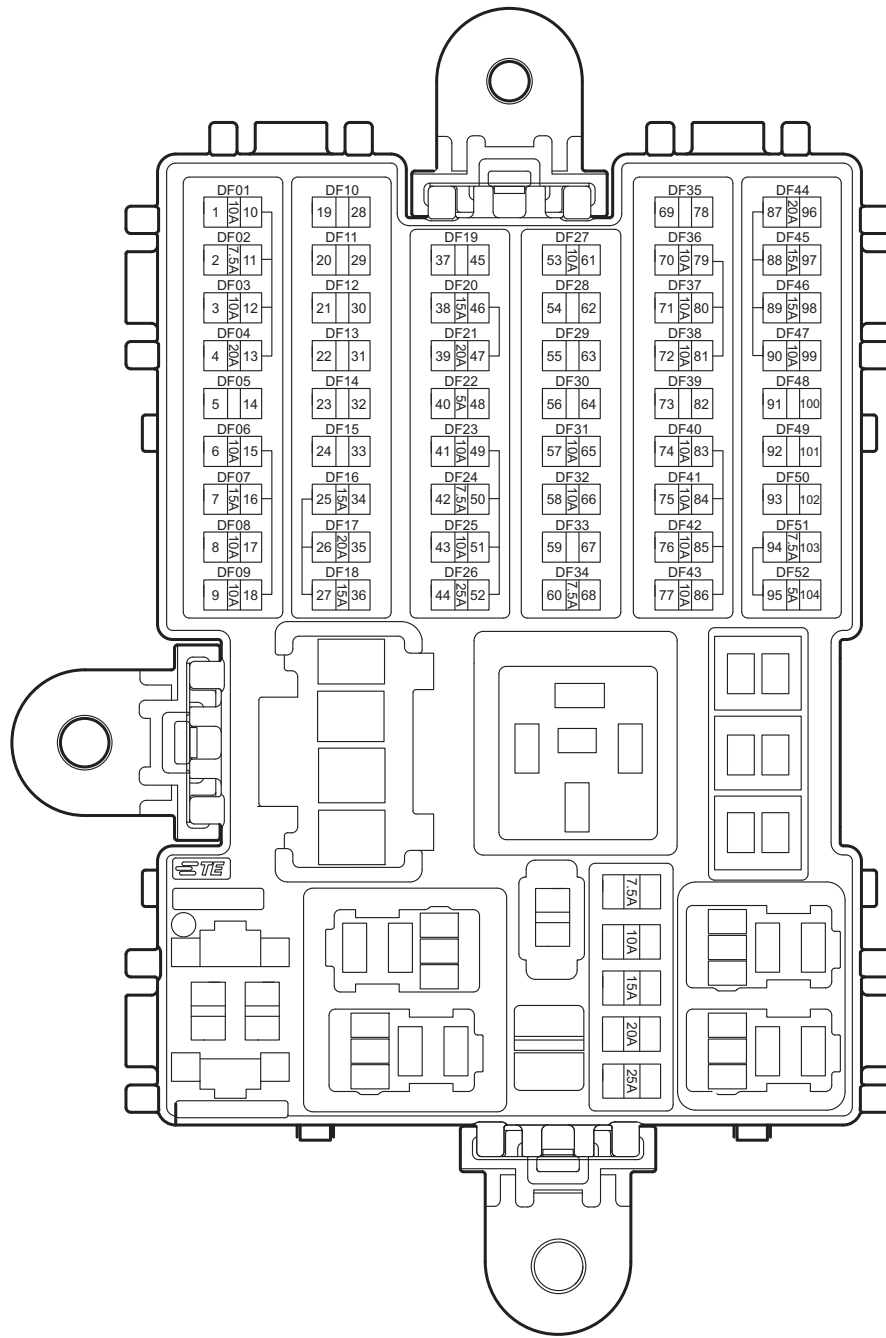


On-board Power Supply



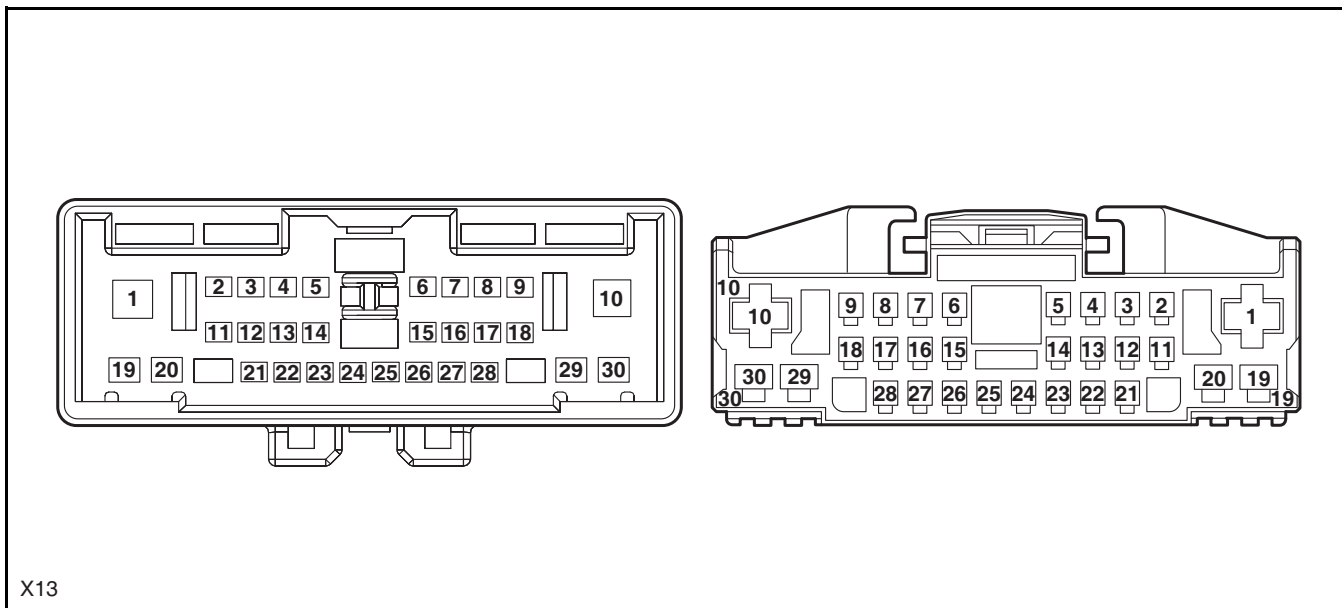
S6414001

Instrument Panel Fuse Box



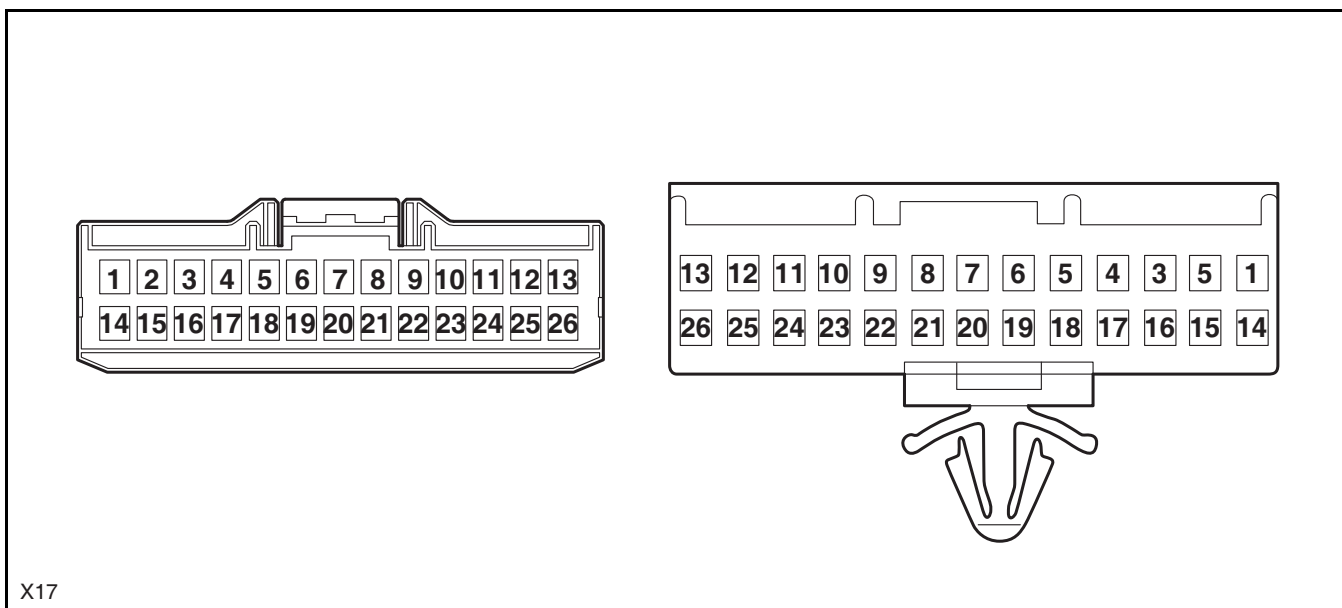
Instrument Panel Wiring Harness to Roof Wiring
Harness A

Roof Wiring Harness to Instrument Panel Wiring
Harness A



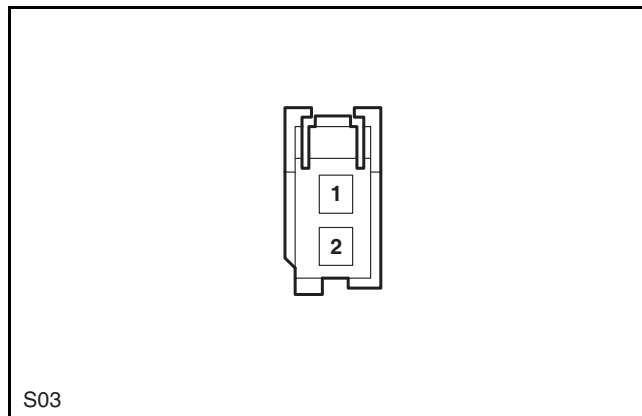
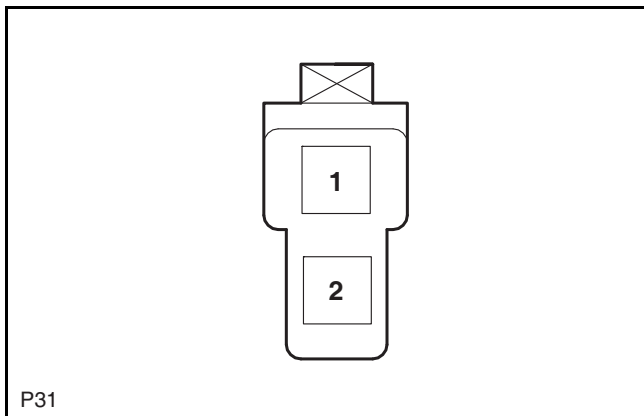
Instrument Panel Wiring Harness to Chassis Wiring
Harness D

Chassis Wiring Harness to Instrument Panel Wiring
Harness D

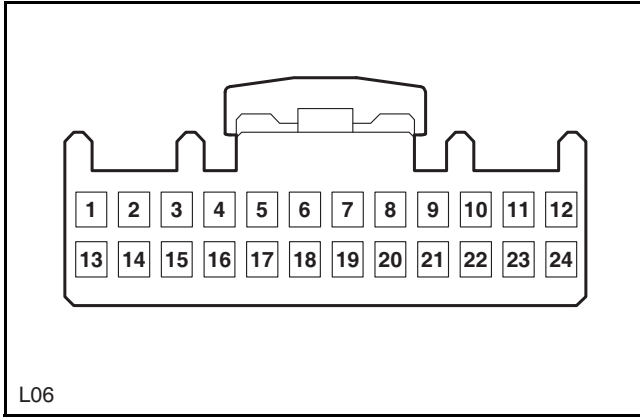


Power Outlet

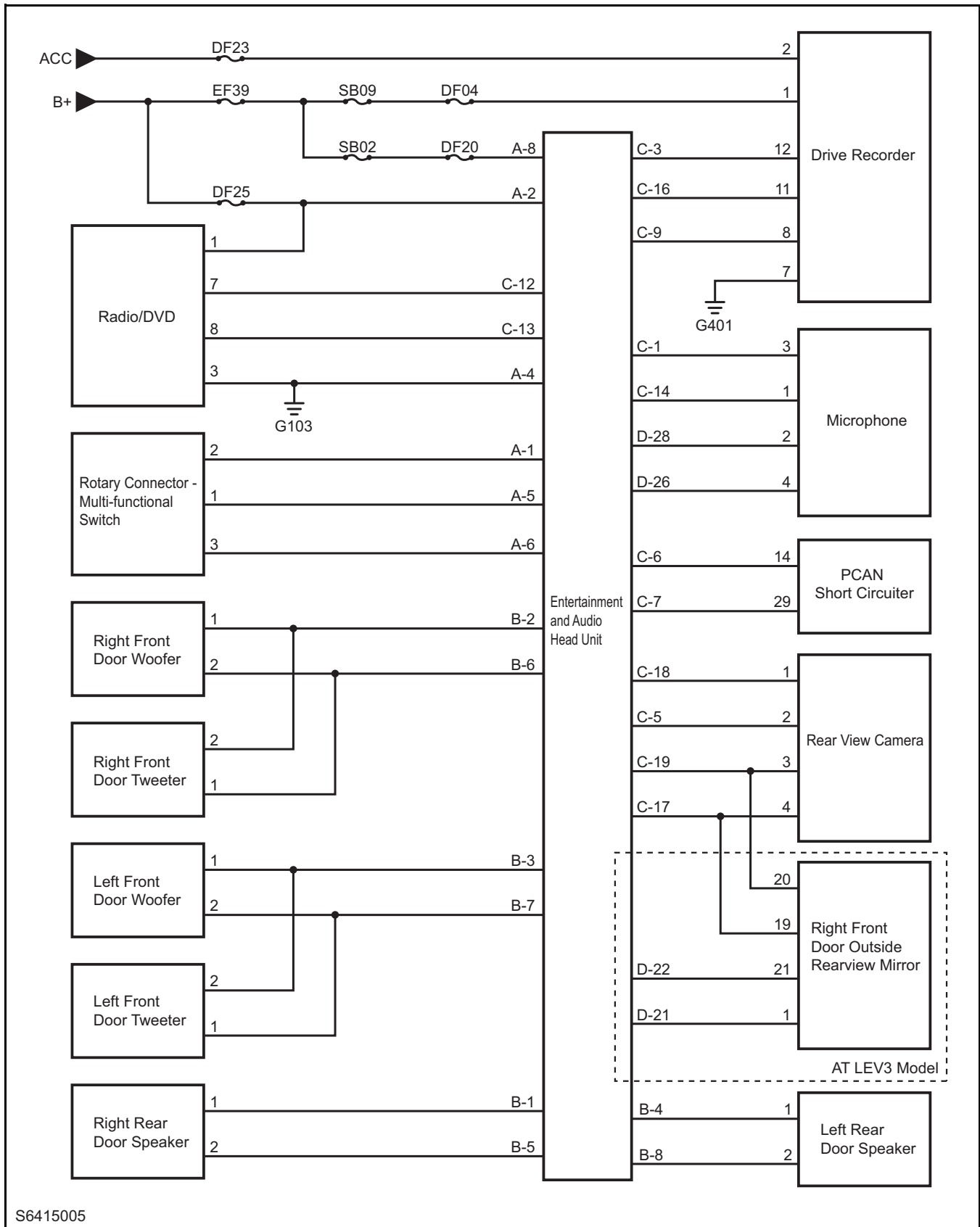
Backup Power Supply



Front Dome Lamp

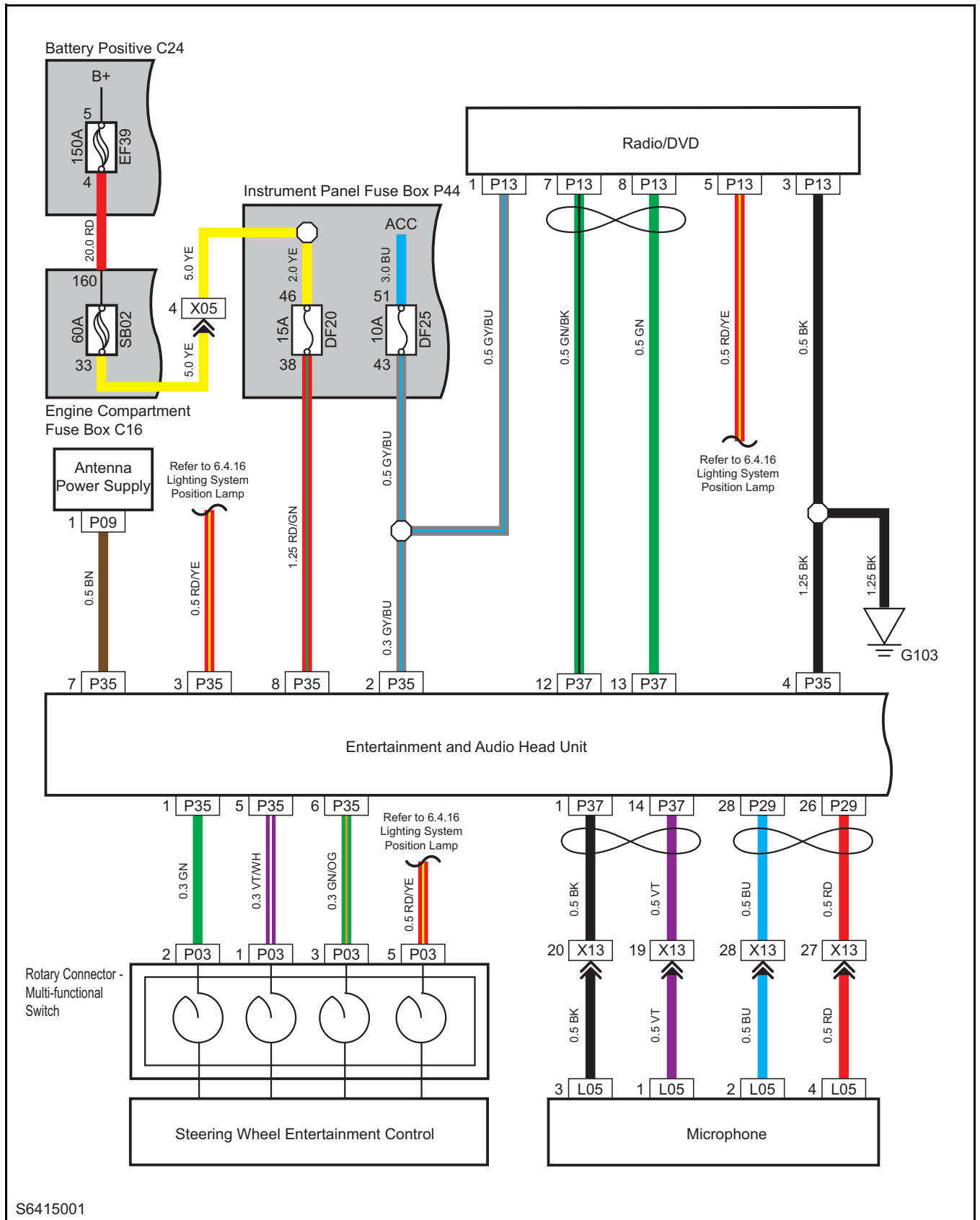


Information and Entertainment System



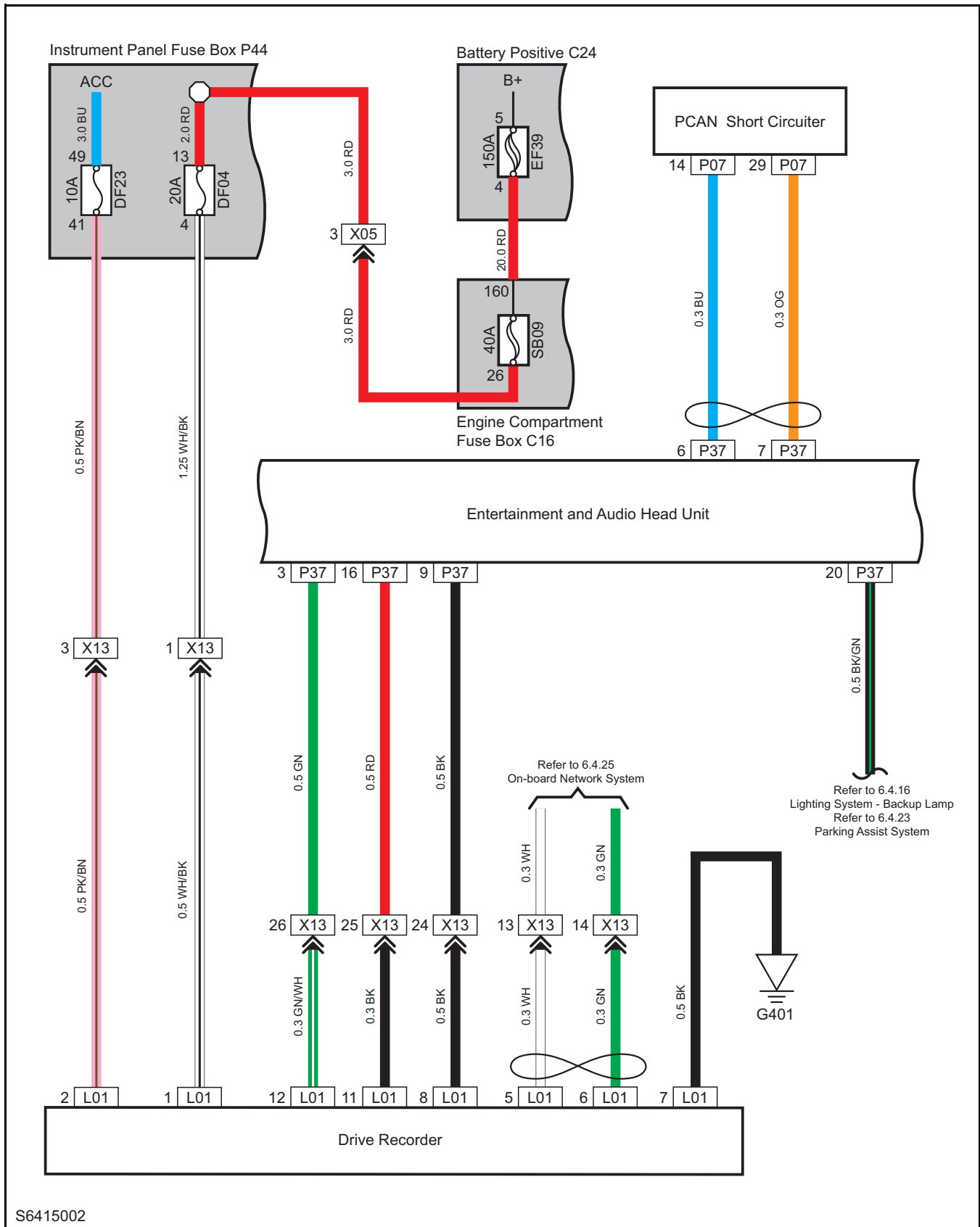
S6415005

Power Supply/Multi-functional Switch/Microphone/Antenna



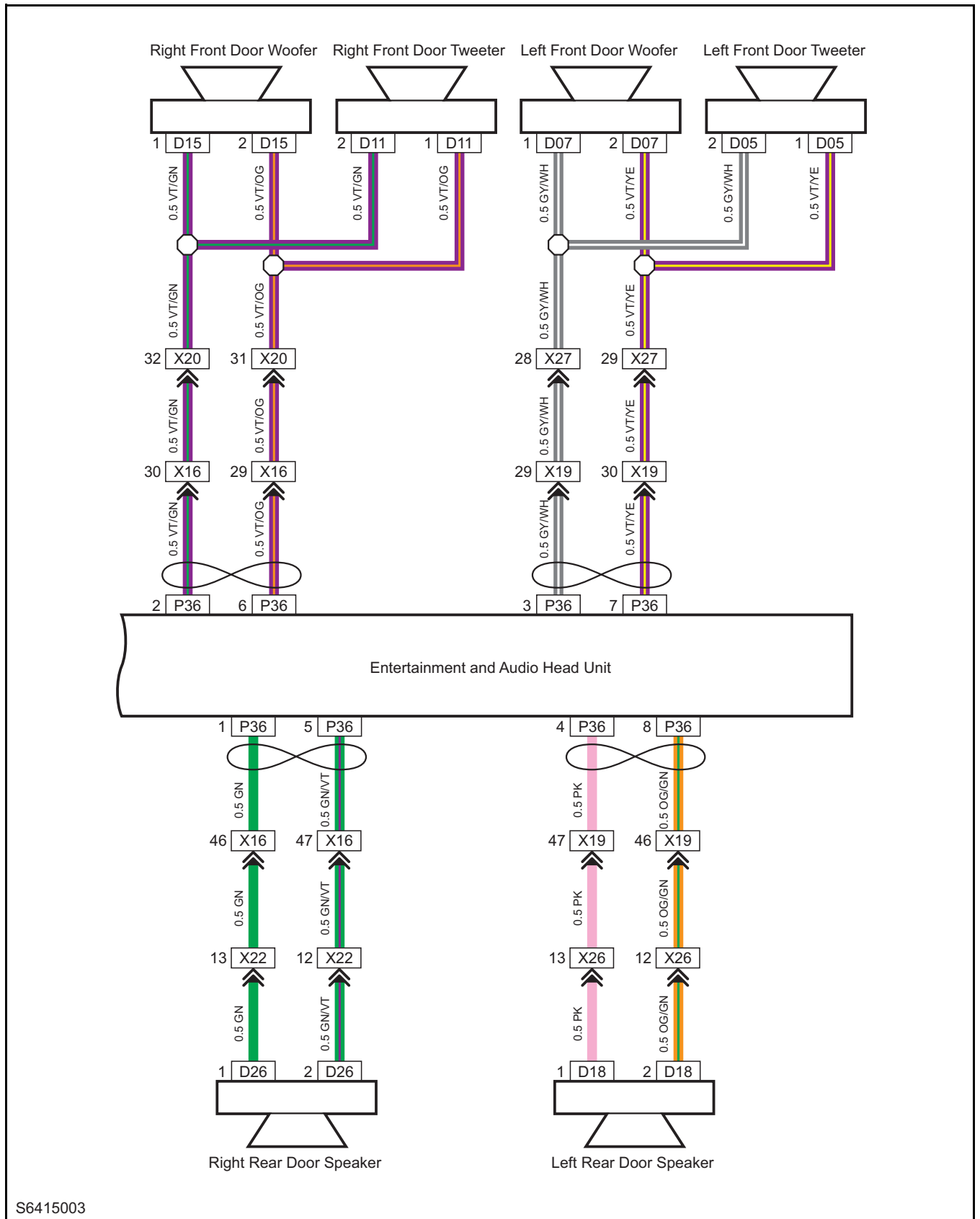
S6415001

Drive Recorder



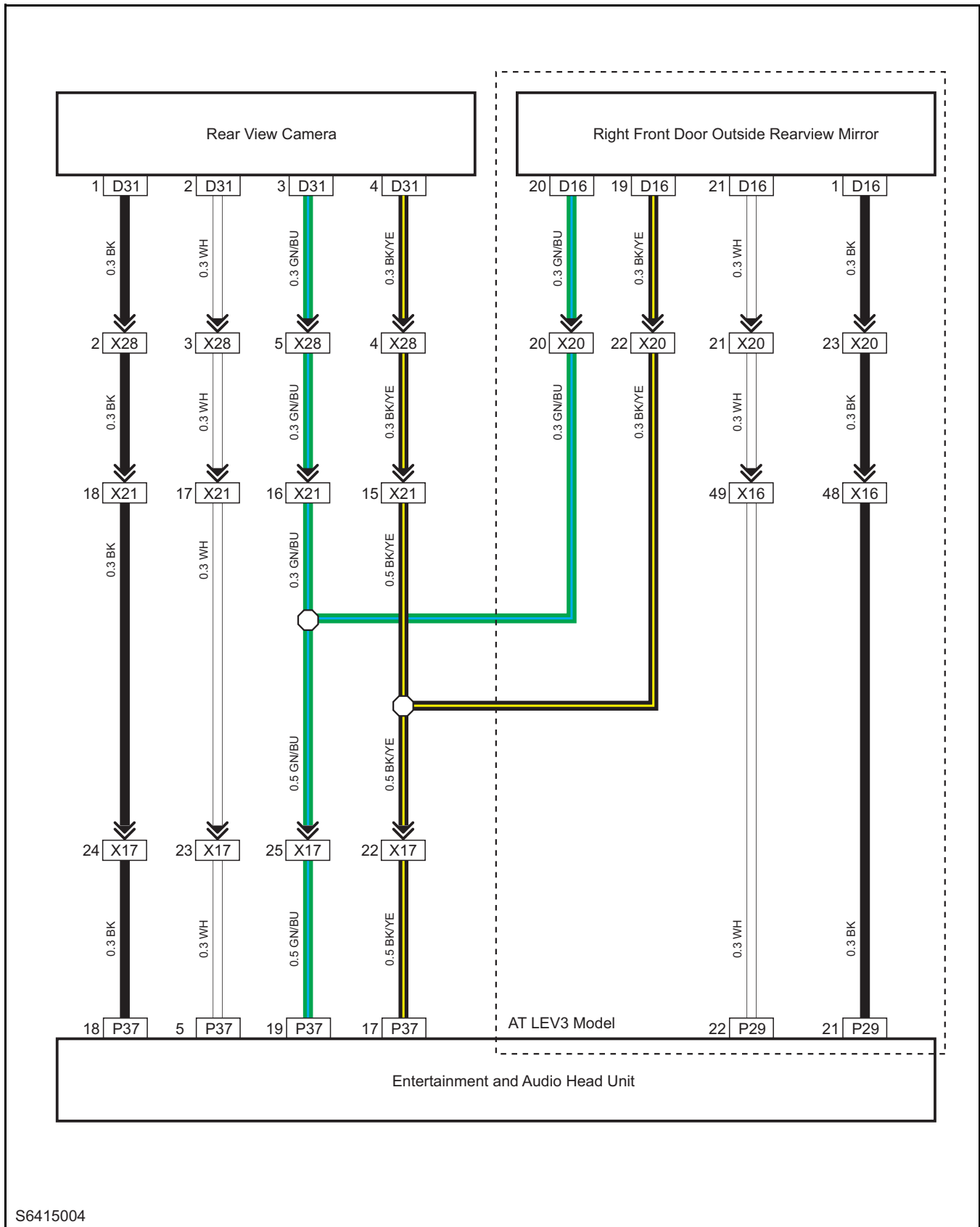
S6415002

Speaker

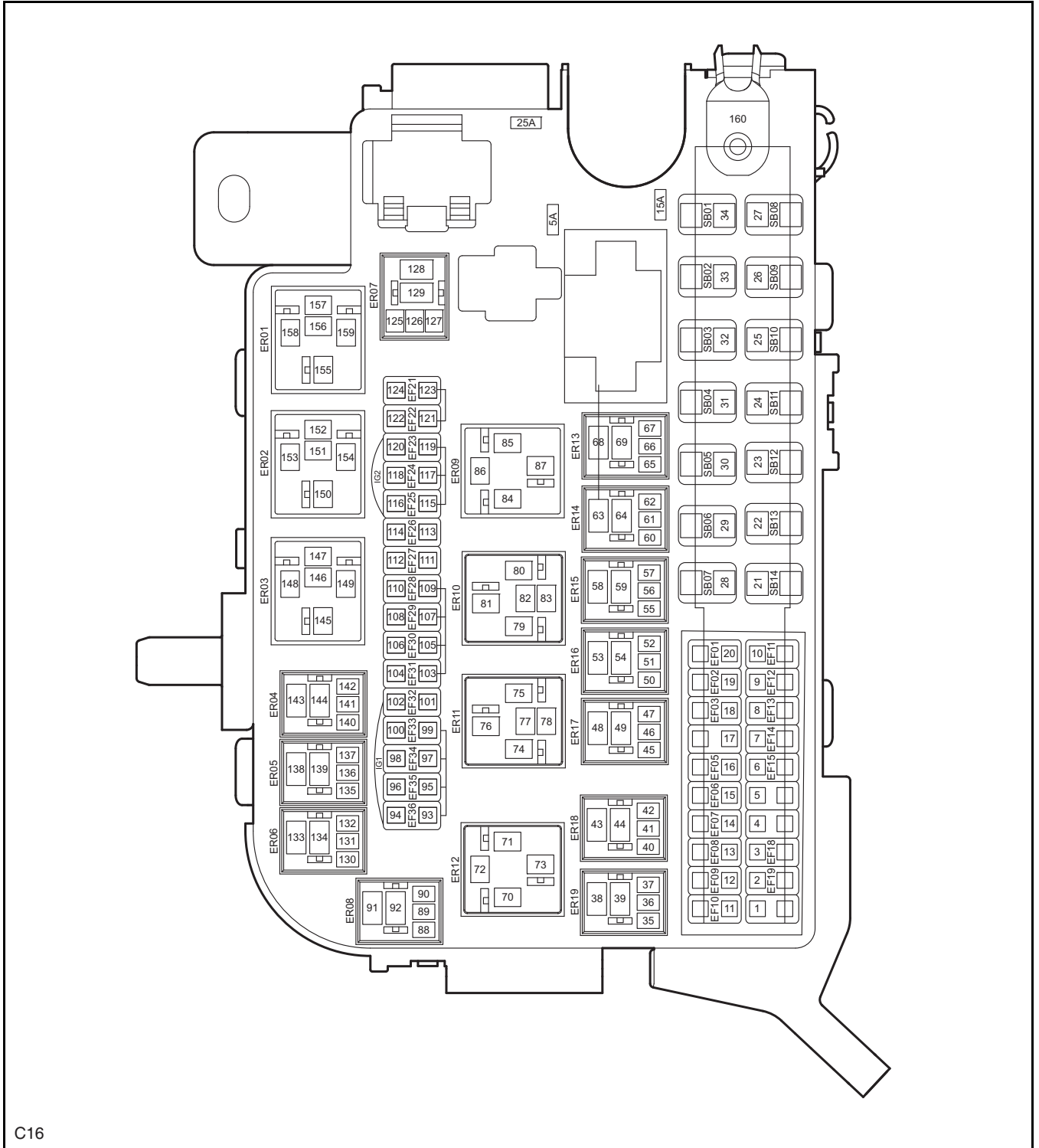


S6415003

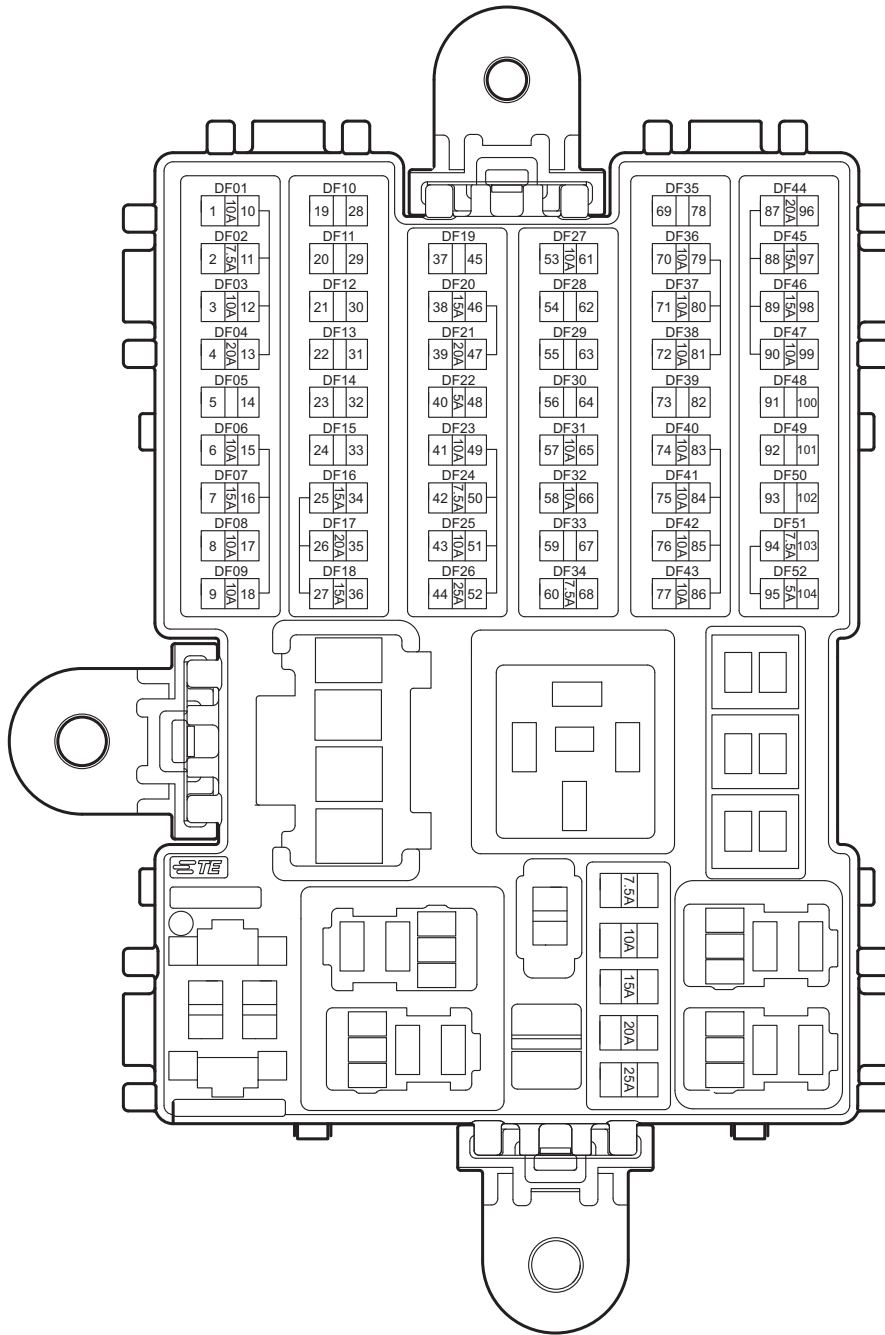
Rearview Monitor



Engine Compartment Fuse Box



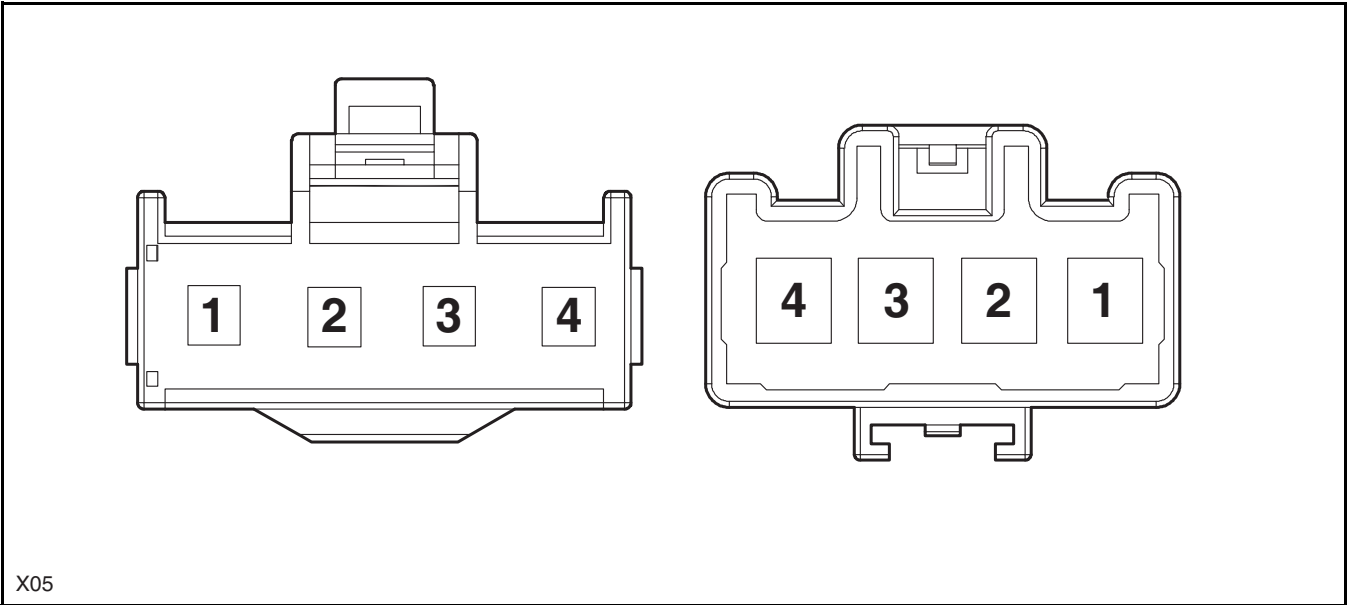
Instrument Panel Fuse Box



P44

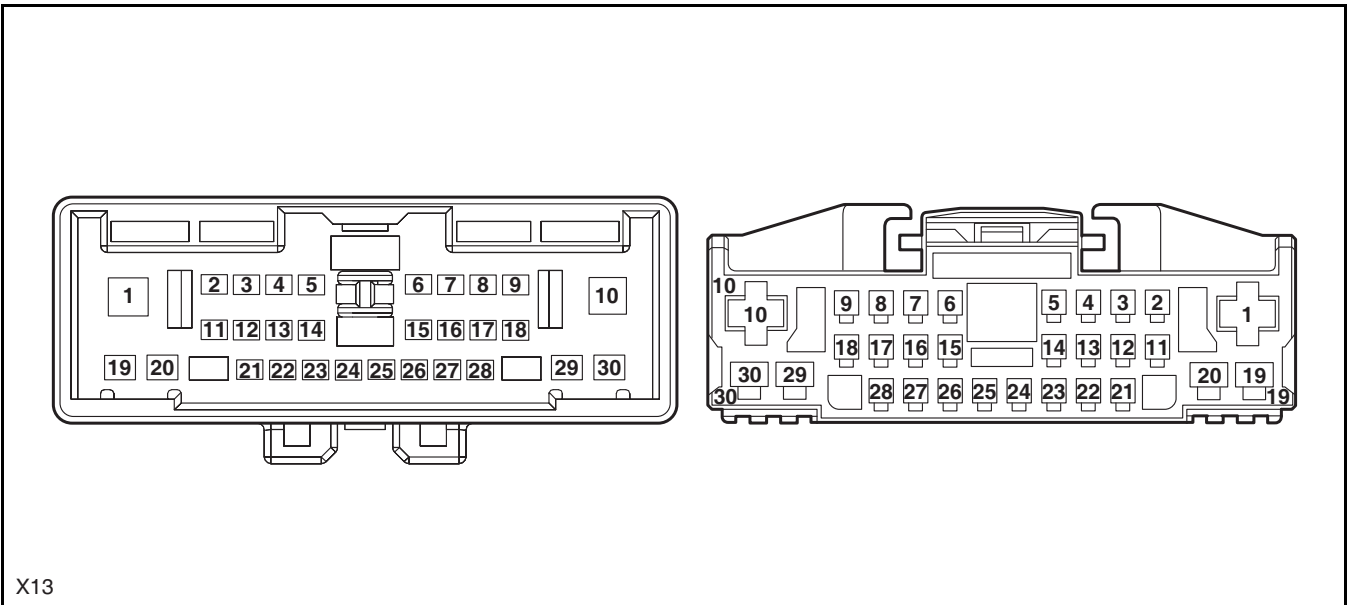
Engine Compartment Wiring Harness to Instrument Panel Wiring Harness C

Instrument Panel Wiring Harness to Engine Compartment Wiring Harness C



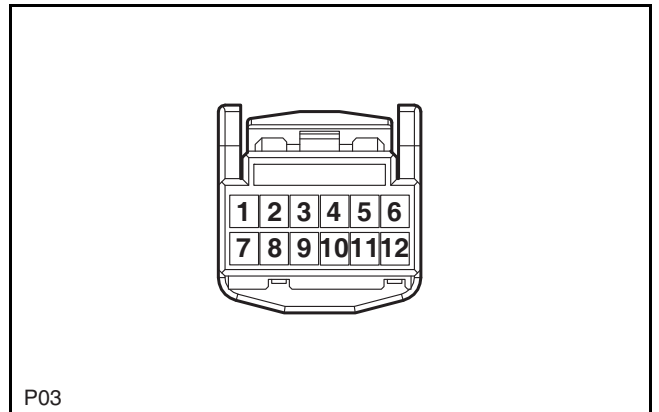
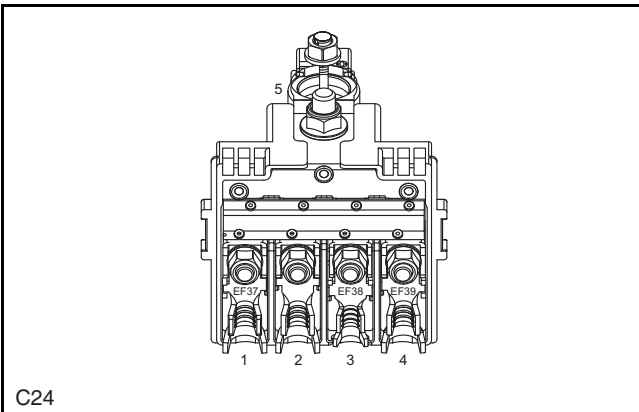
Instrument Panel Wiring Harness to Roof Wiring Harness A

Roof Wiring Harness to Instrument Panel Wiring Harness A

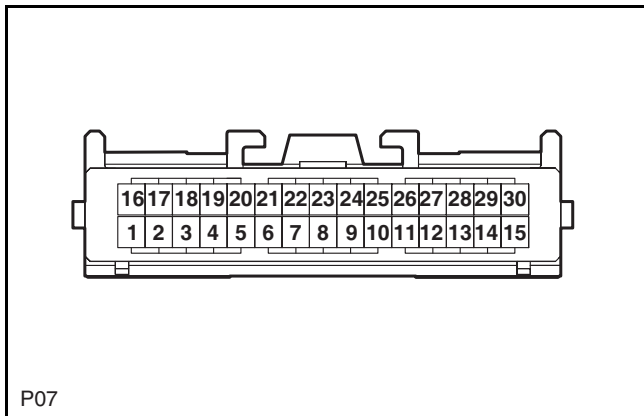


Battery Positive

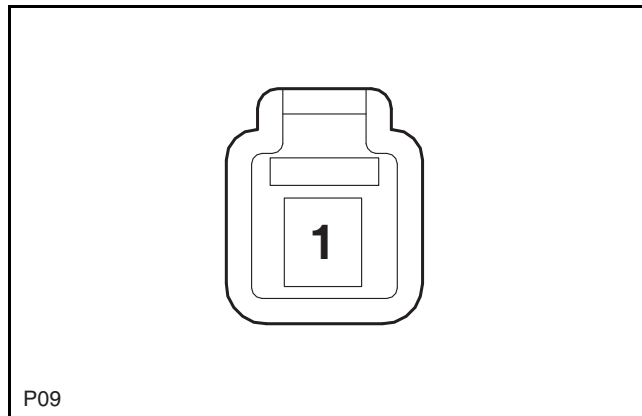
Rotary Connector - Multi-functional Switch



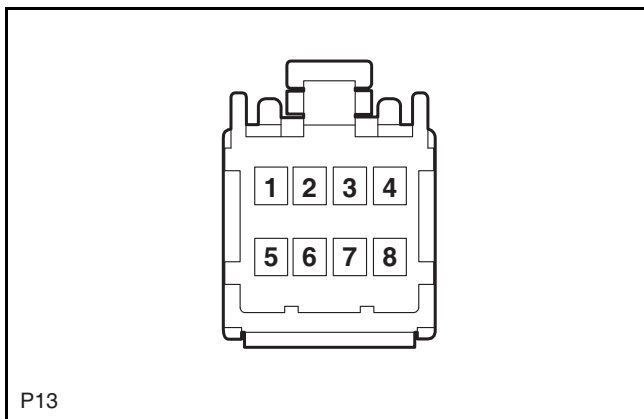
PCAN Short Circuiter



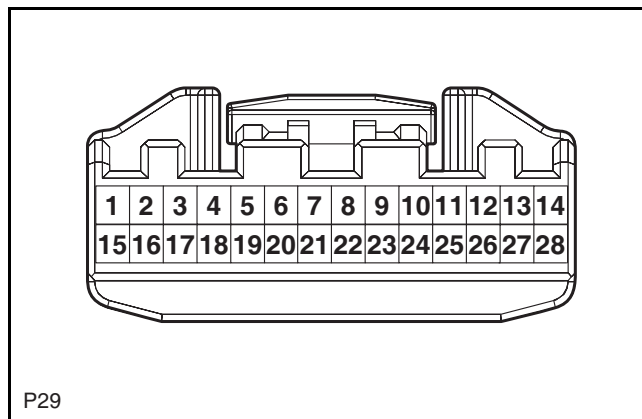
Antenna Power Supply



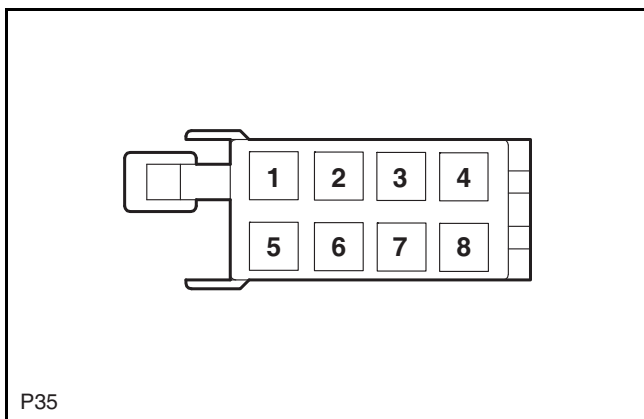
Radio/DVD



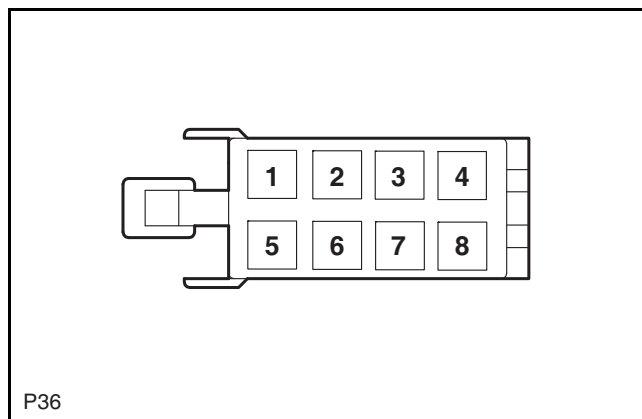
Entertainment and Audio Head Unit-D



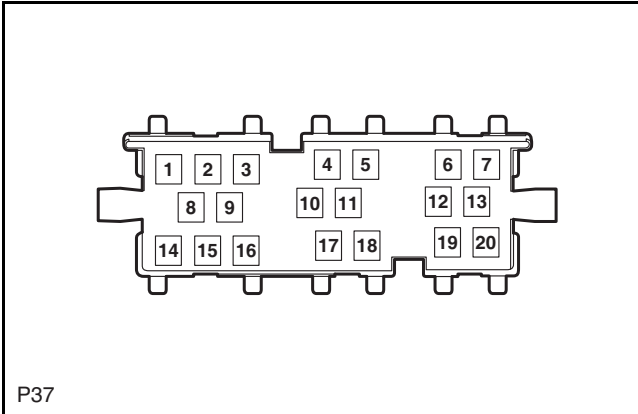
Entertainment and Audio Head Unit-A



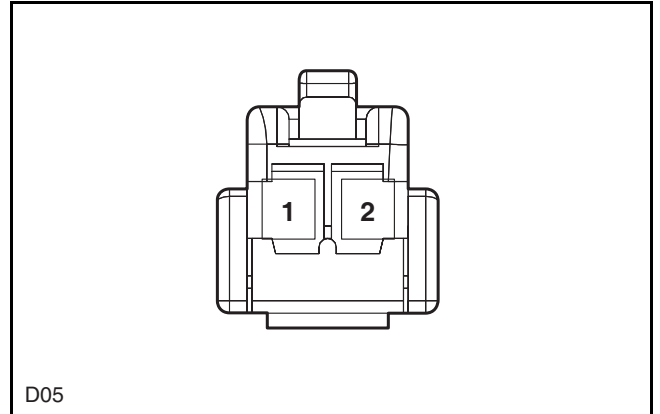
Entertainment and Audio Head Unit-B



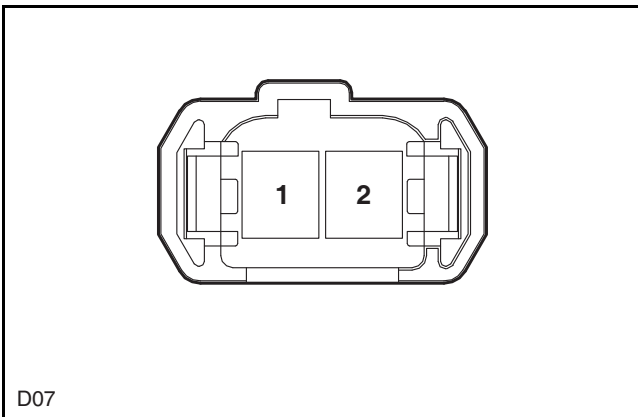
Entertainment and Audio Head Unit-C



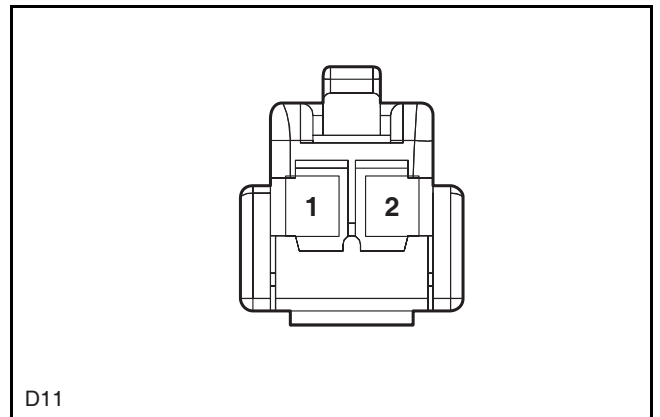
Left Front Door High Pitched Horn



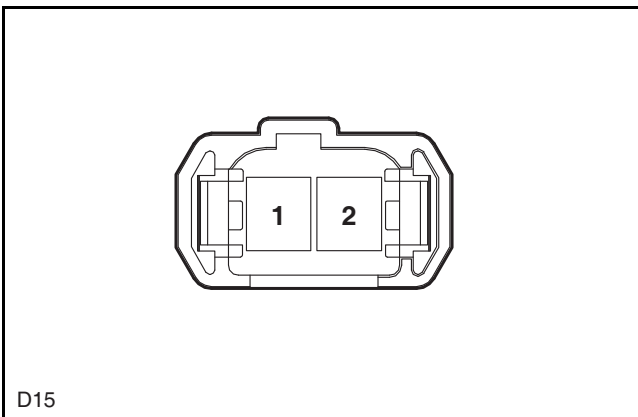
Left Front Door Low Pitched Horn



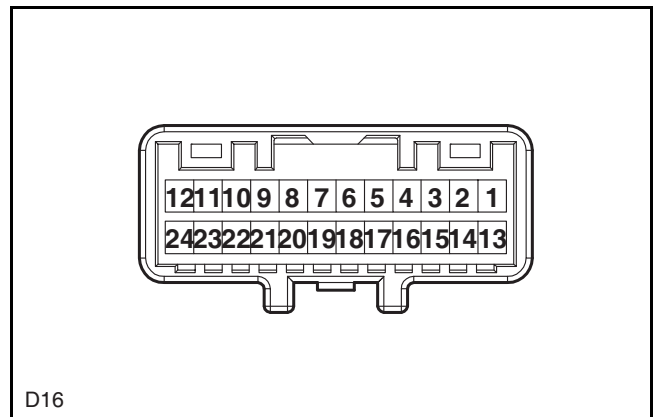
Right Front Door High Pitched Horn



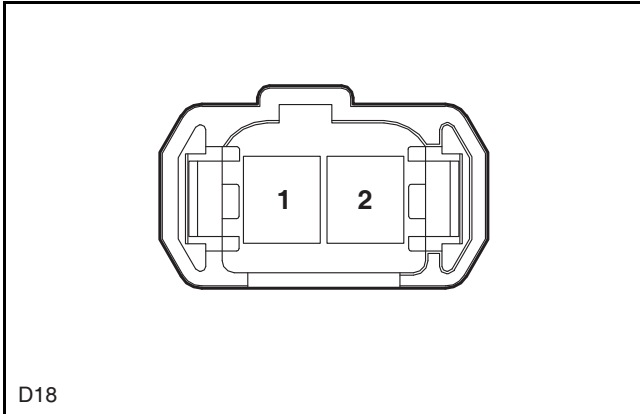
Right Front Door Low Pitched Horn



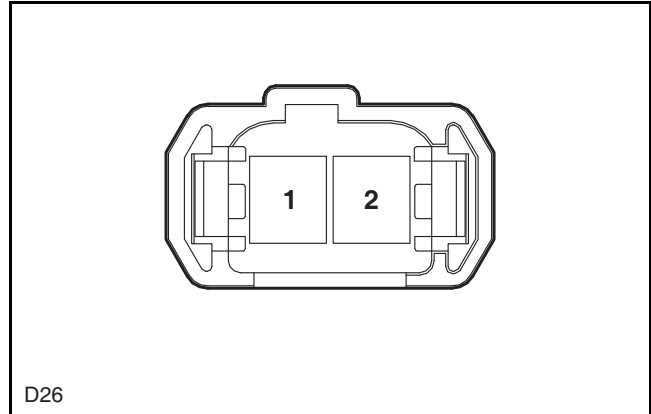
Right Front Door Outside Rearview Mirror



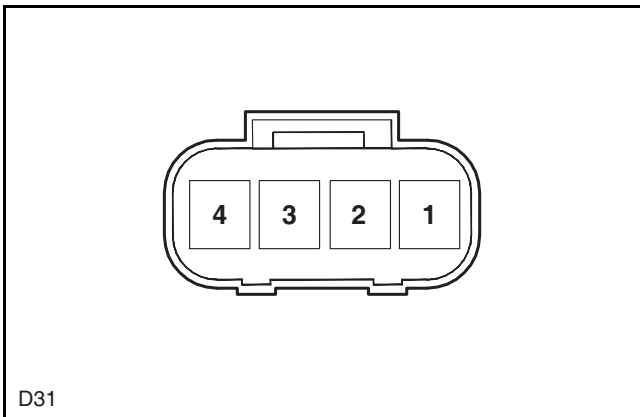
Left Rear Door Speaker



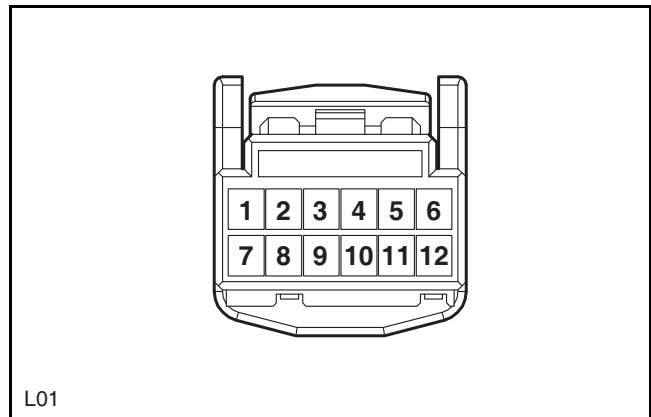
Right Rear Door Speaker



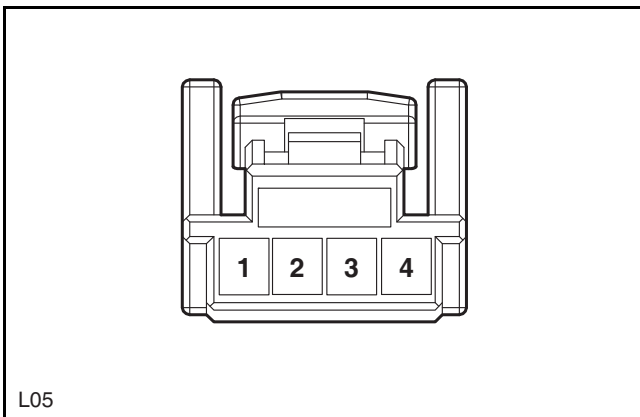
Rear View Camera



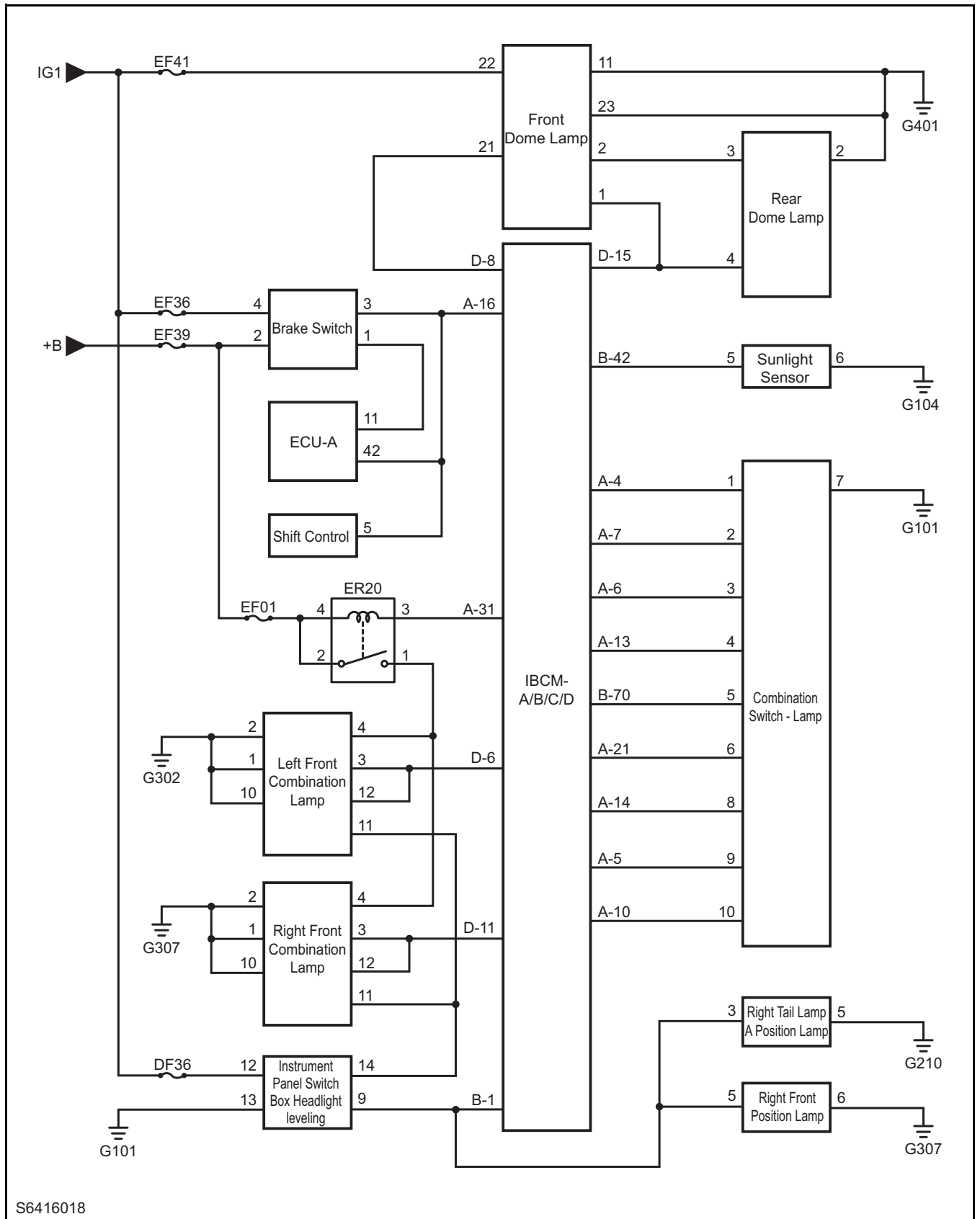
Drive Recorder



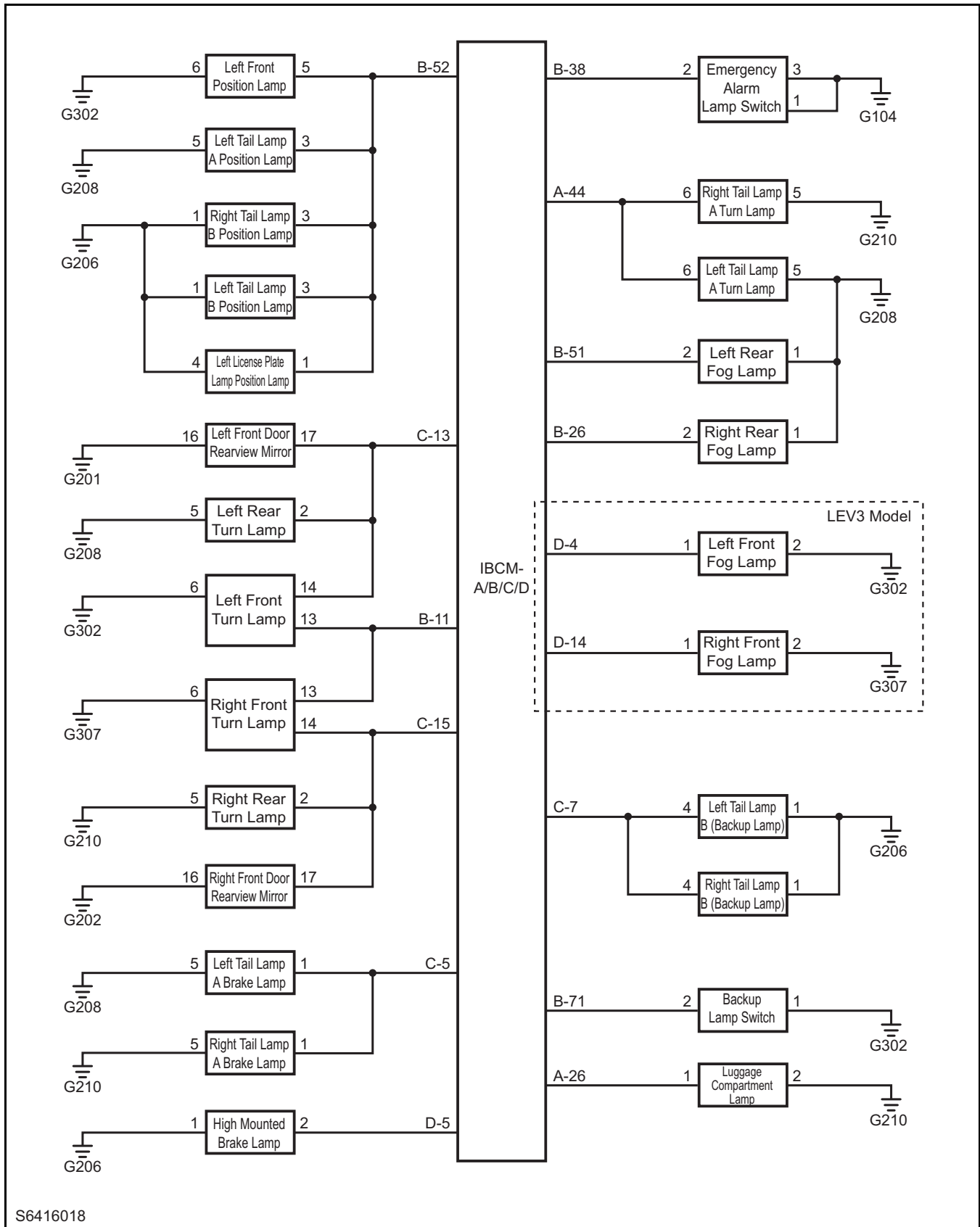
Microphone



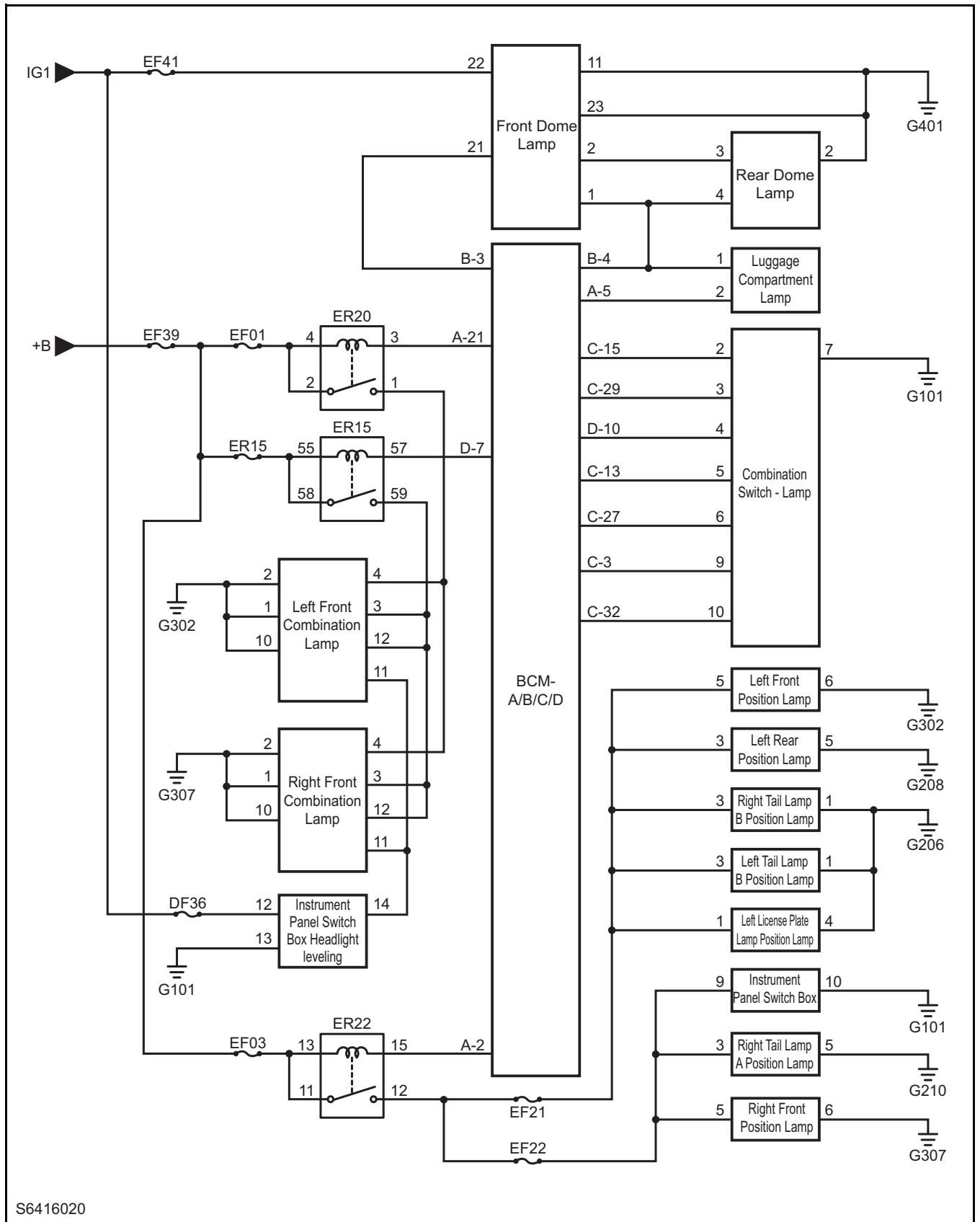
Lighting System (for LEV2, LEV3 Models)



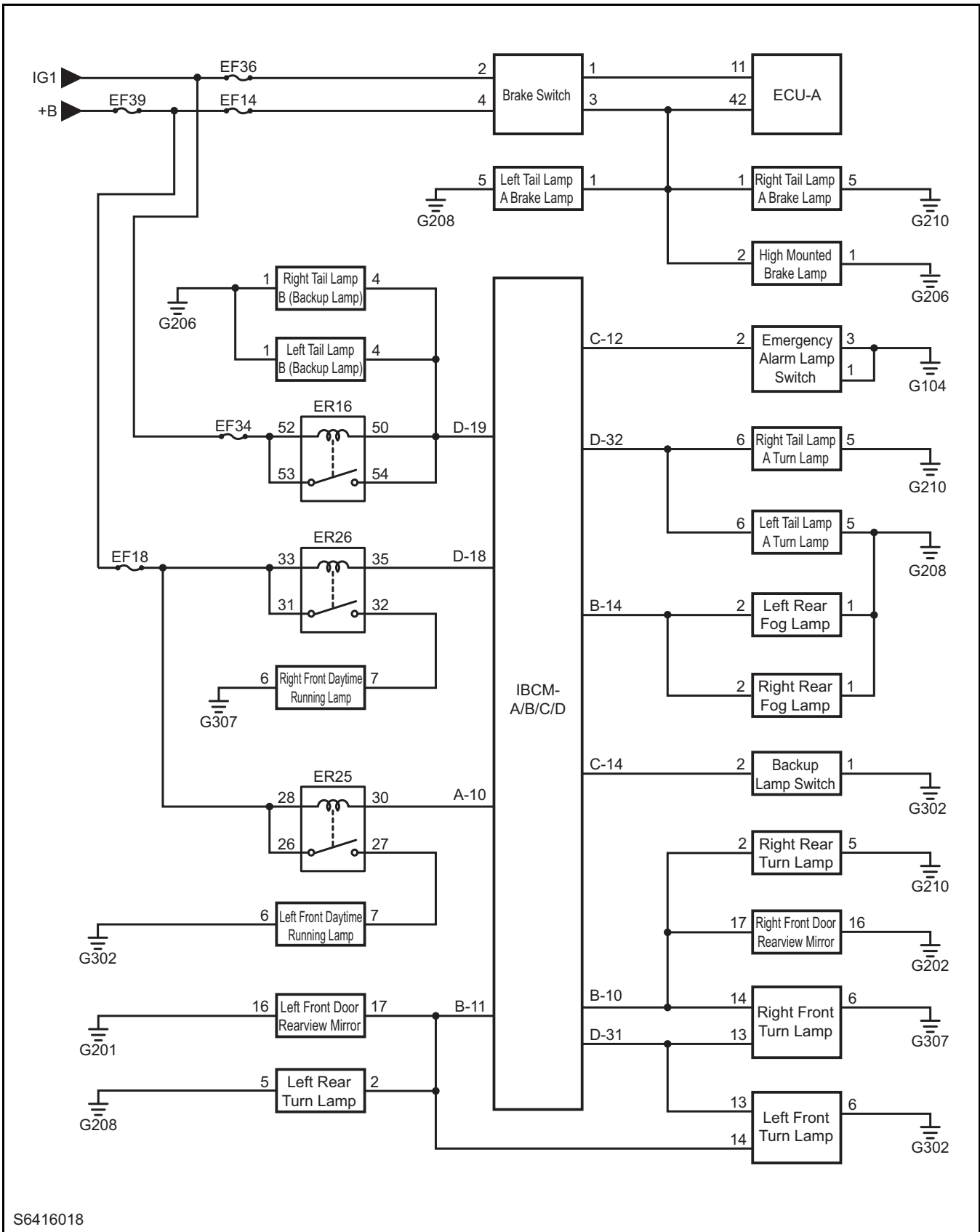
S6416018



Lighting System (for MT LEV1 Model)

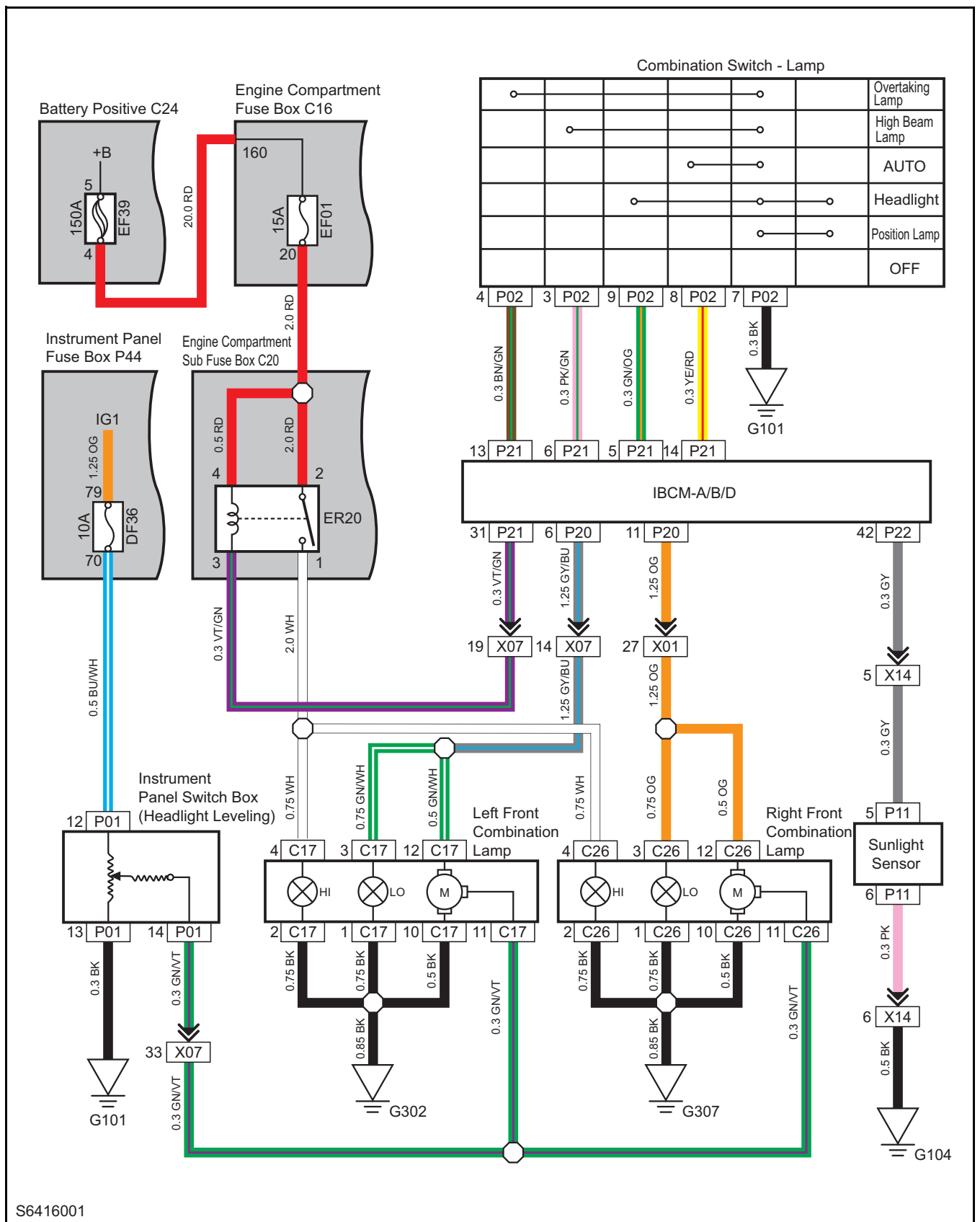


S6416020

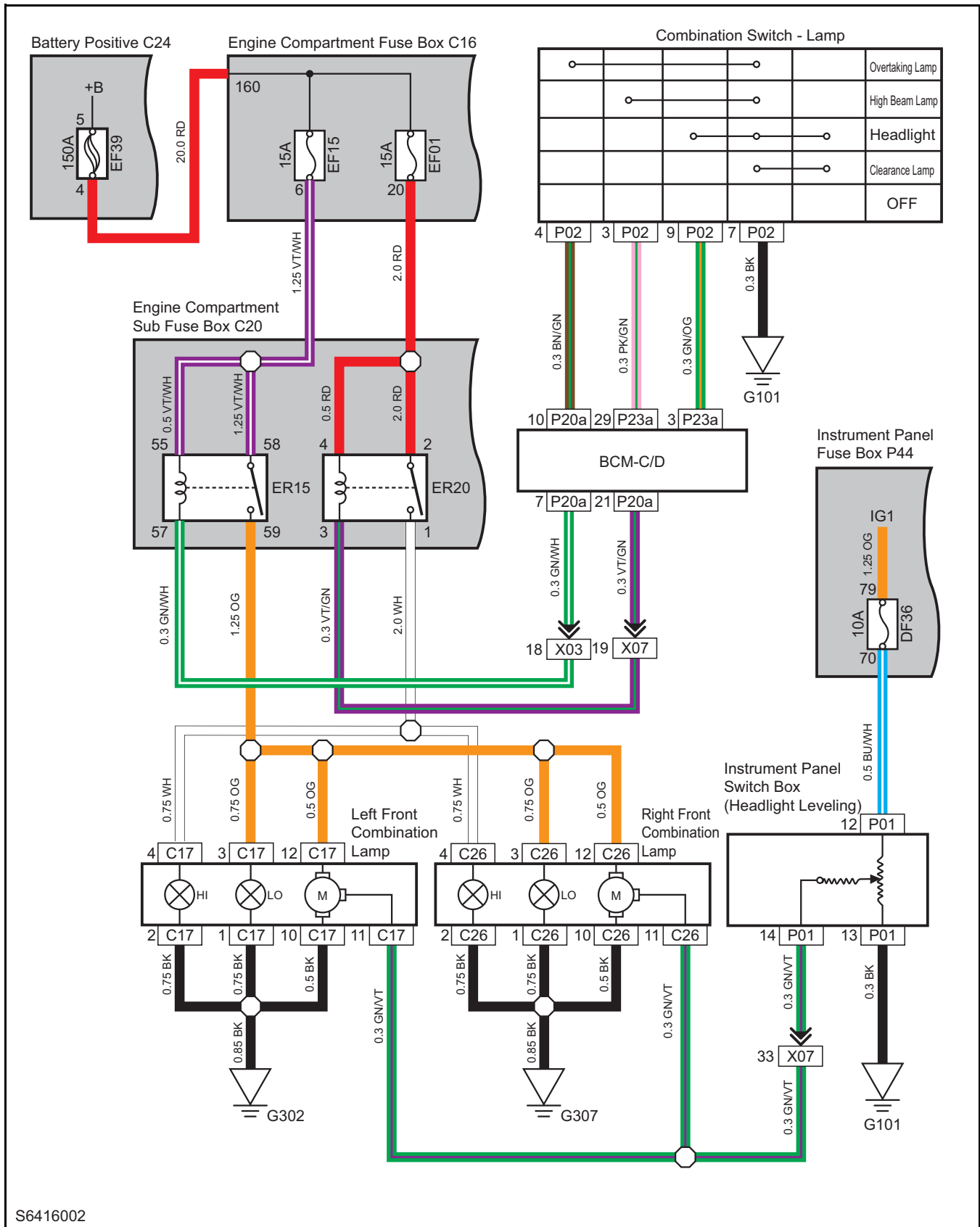


S6416018

Headlamp (for LEV2, LEV3 Models)

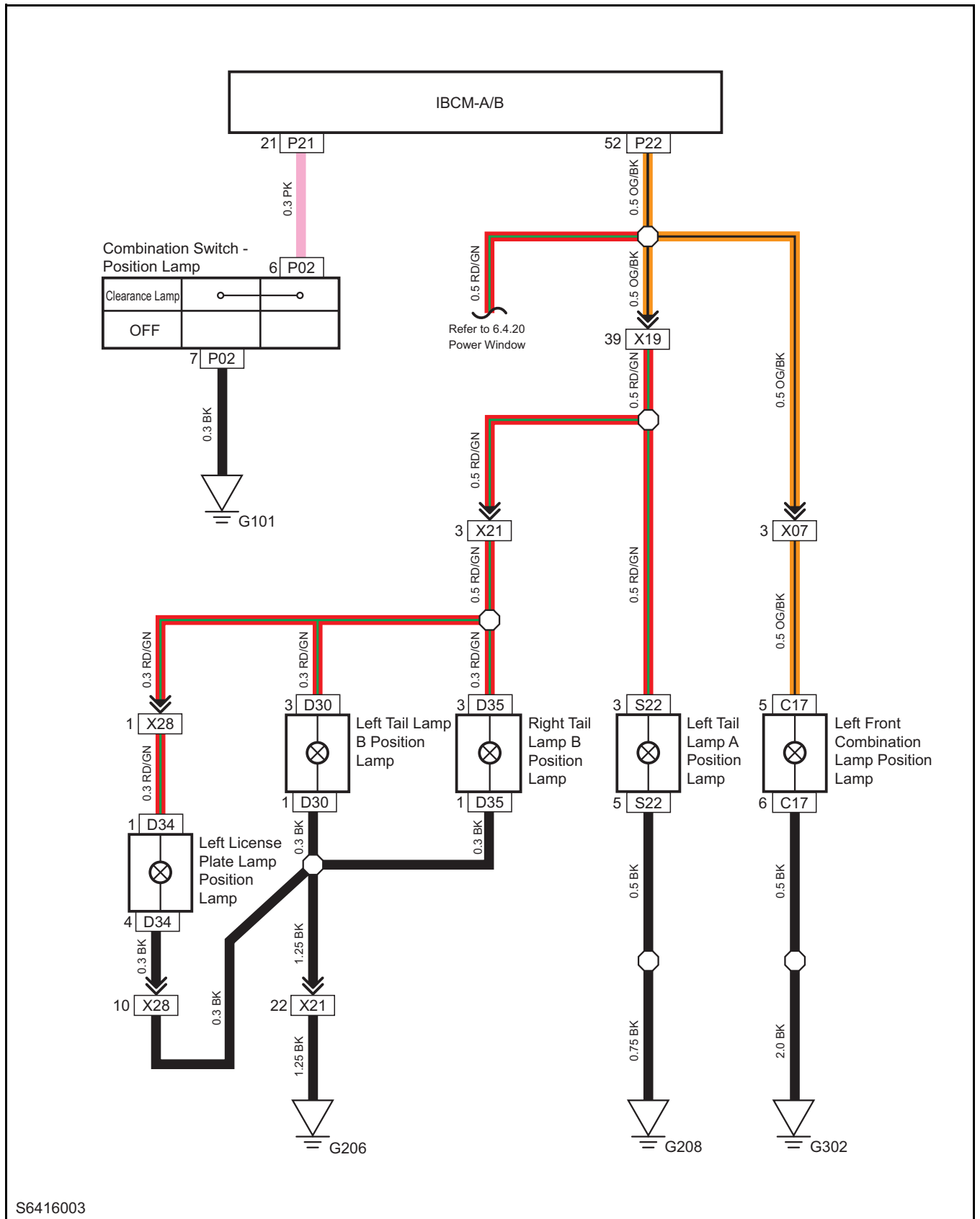


Headlamp (for MT LEV1 Model)

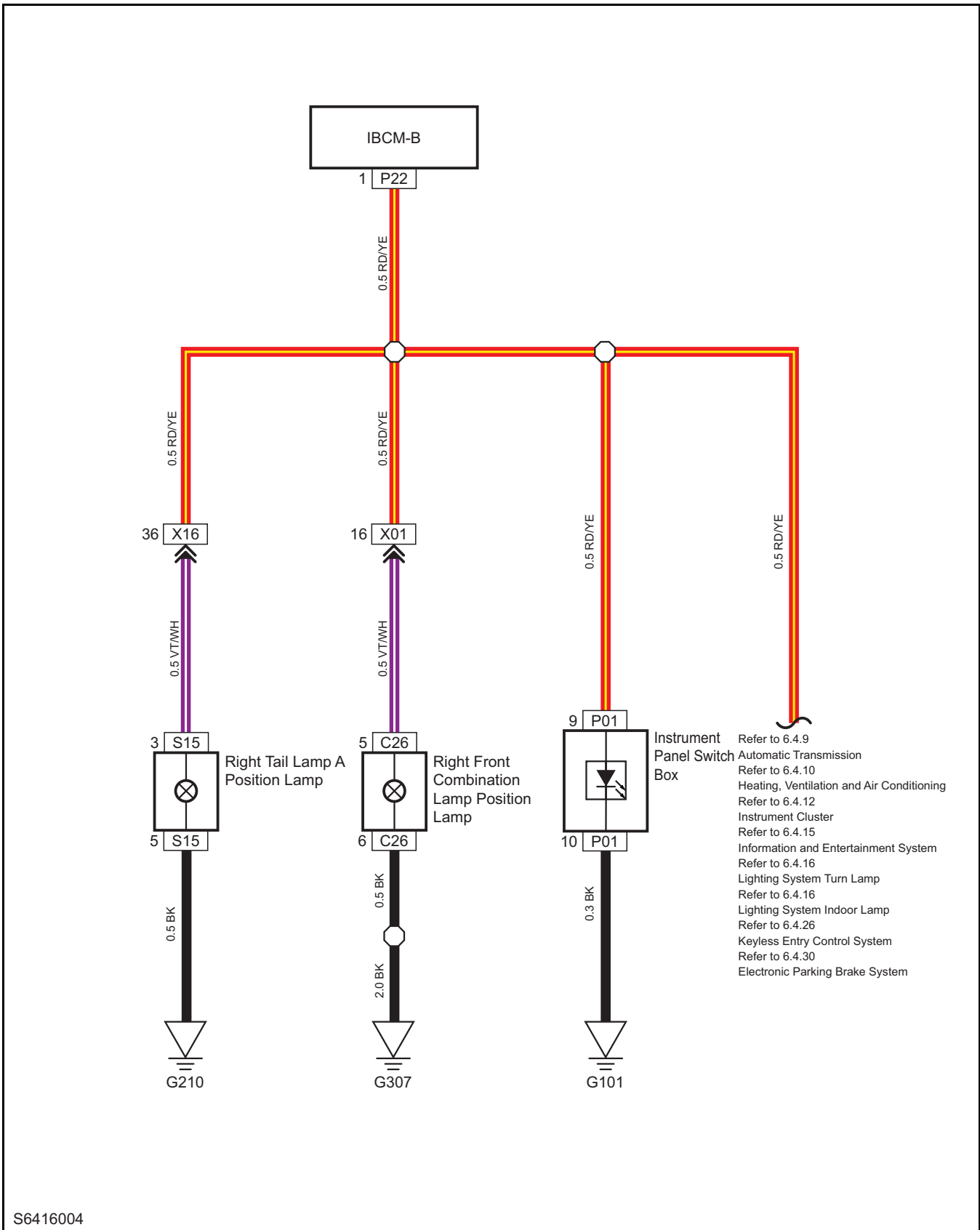


S6416002

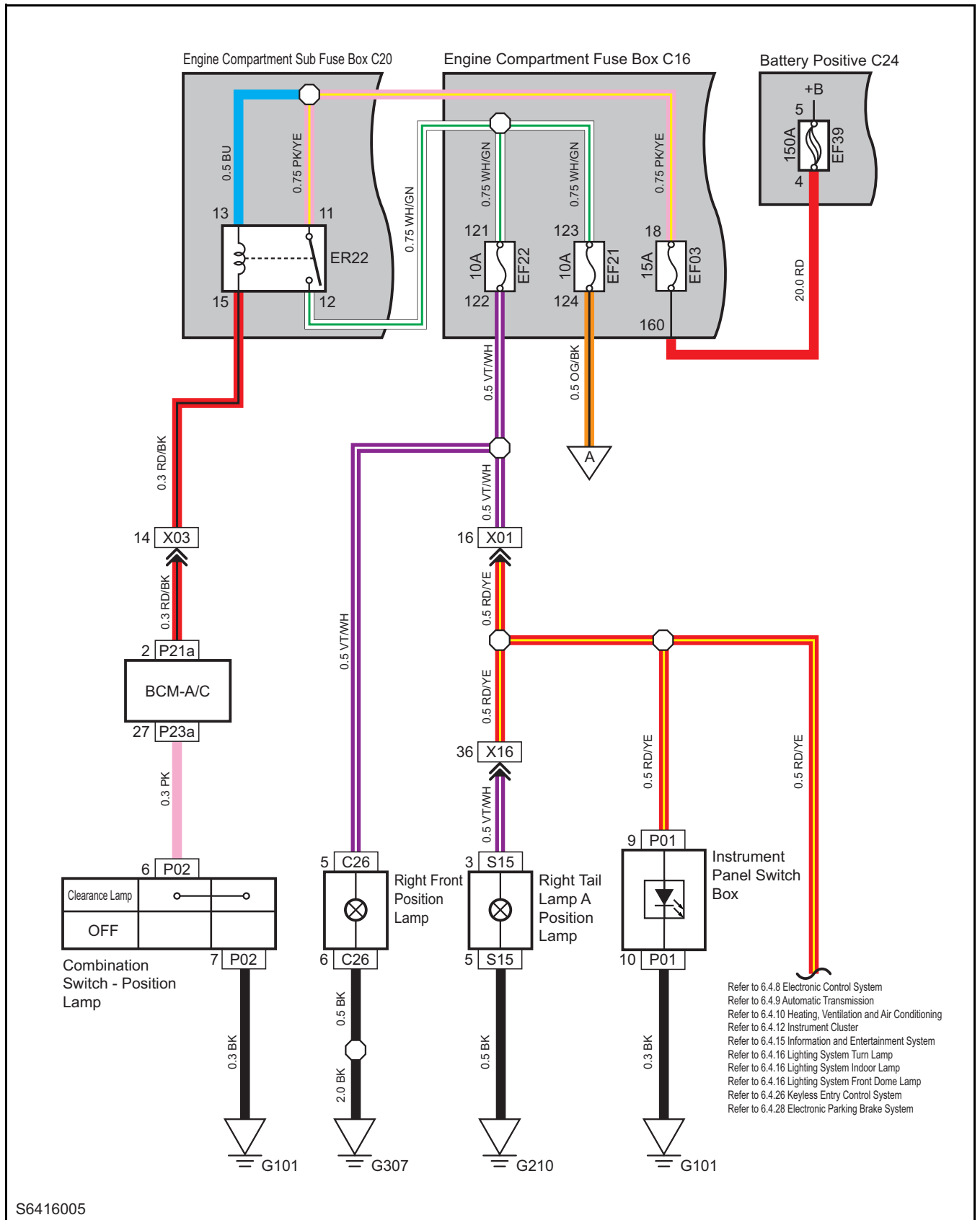
Position Lamp (for LEV2, LEV3 Models)



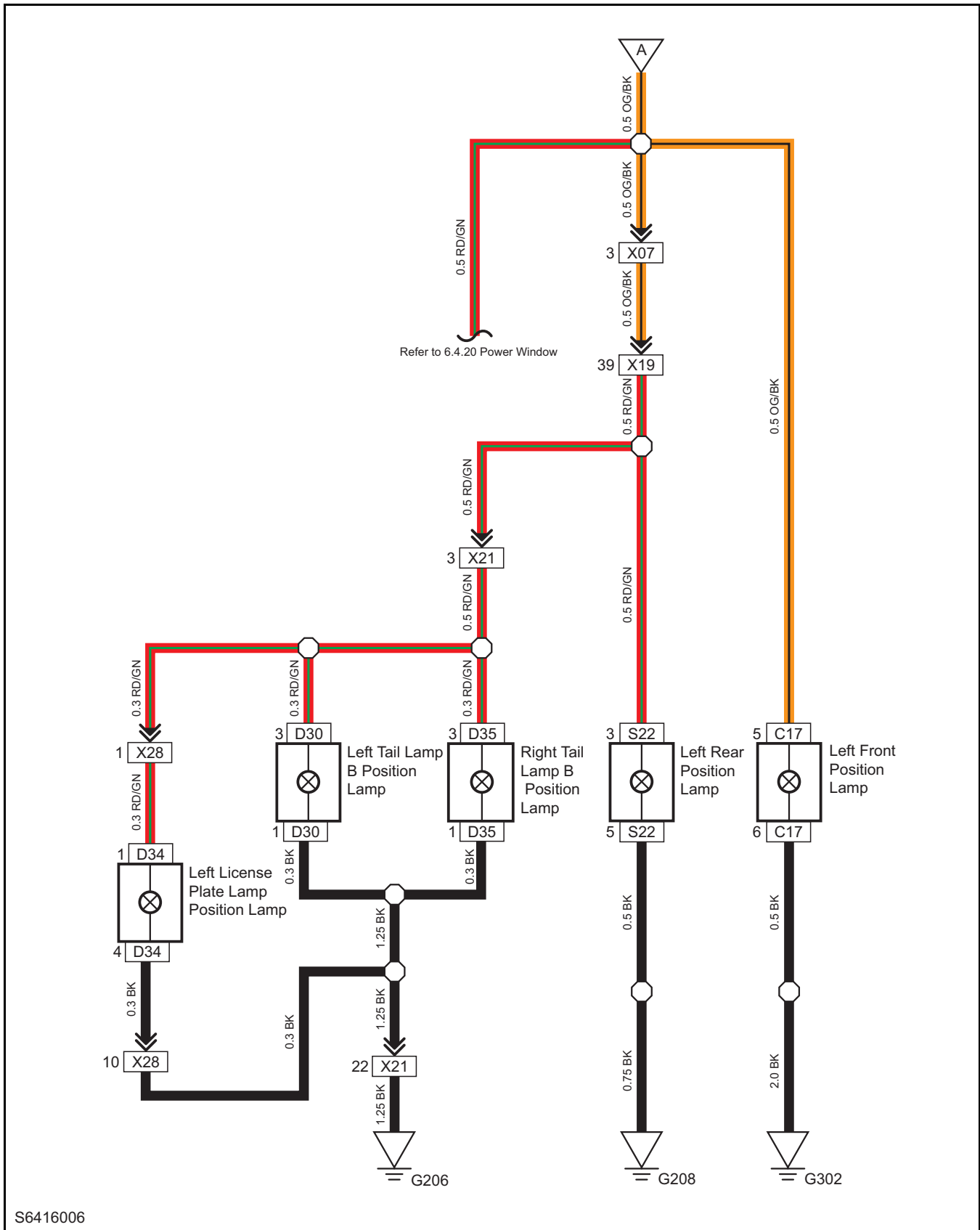
S6416003



Position Lamp (for MT LEV1 Model)

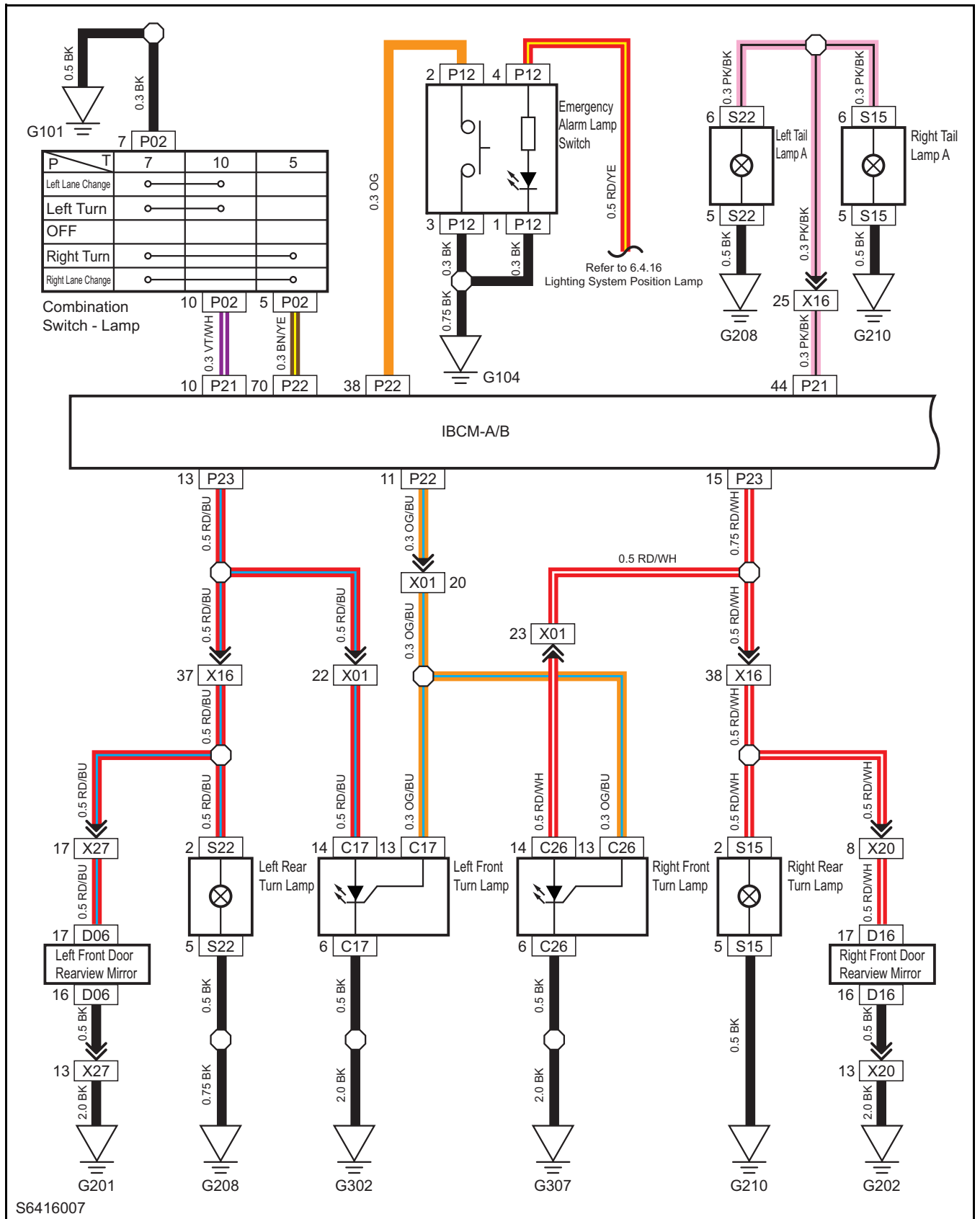


S6416005



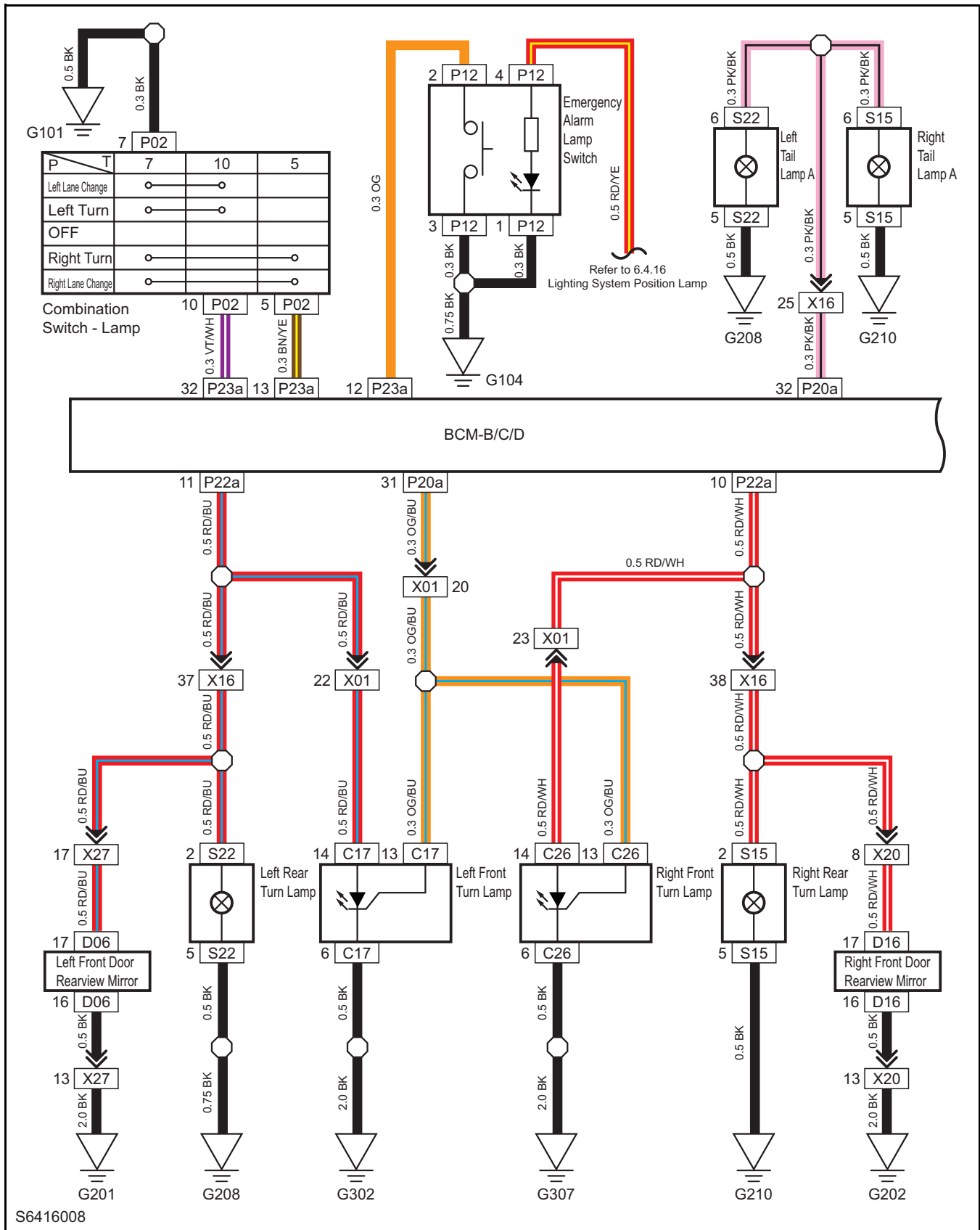
S6416006

Turn Lamp (for LEV2, LEV3 Models)

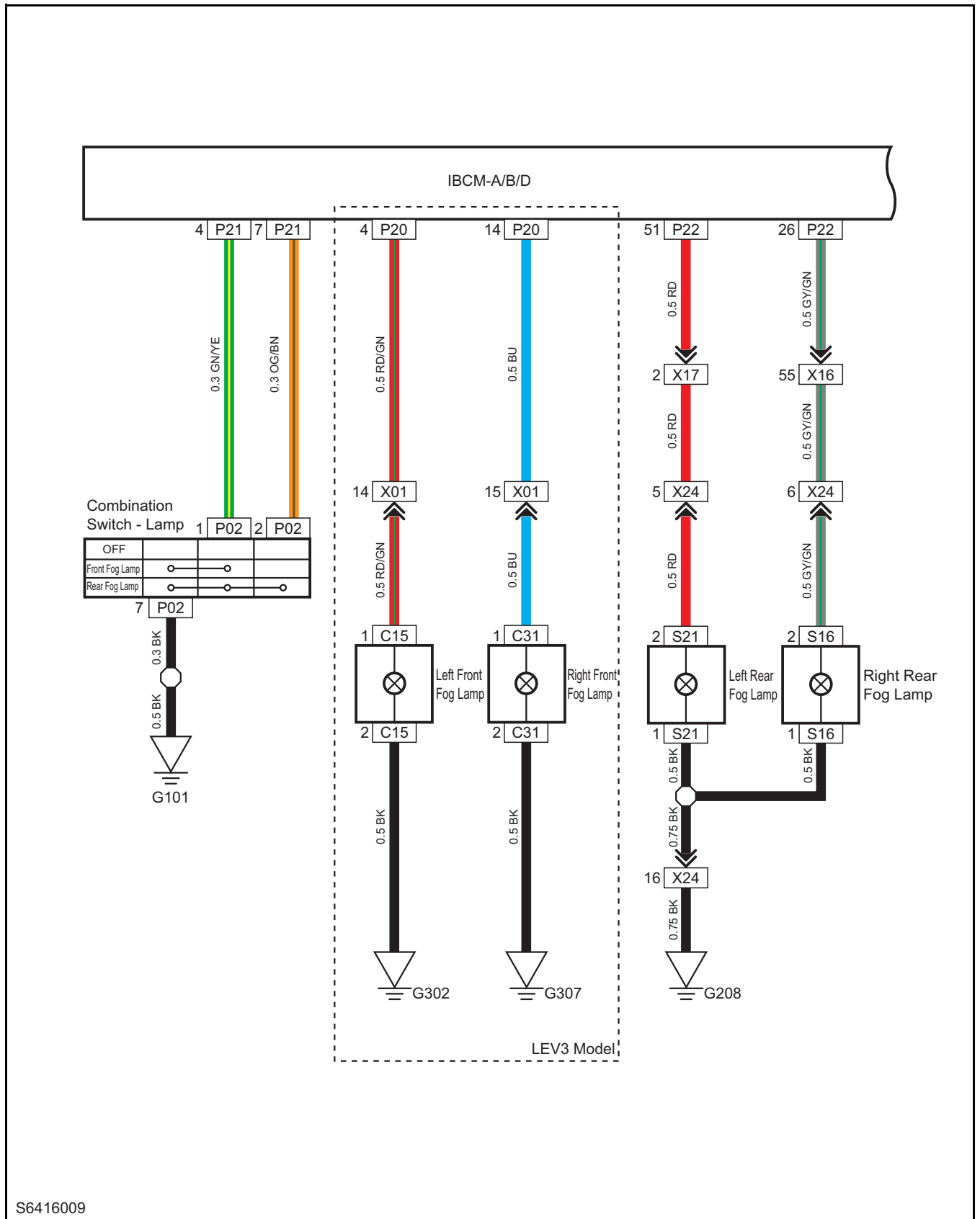


S6416007

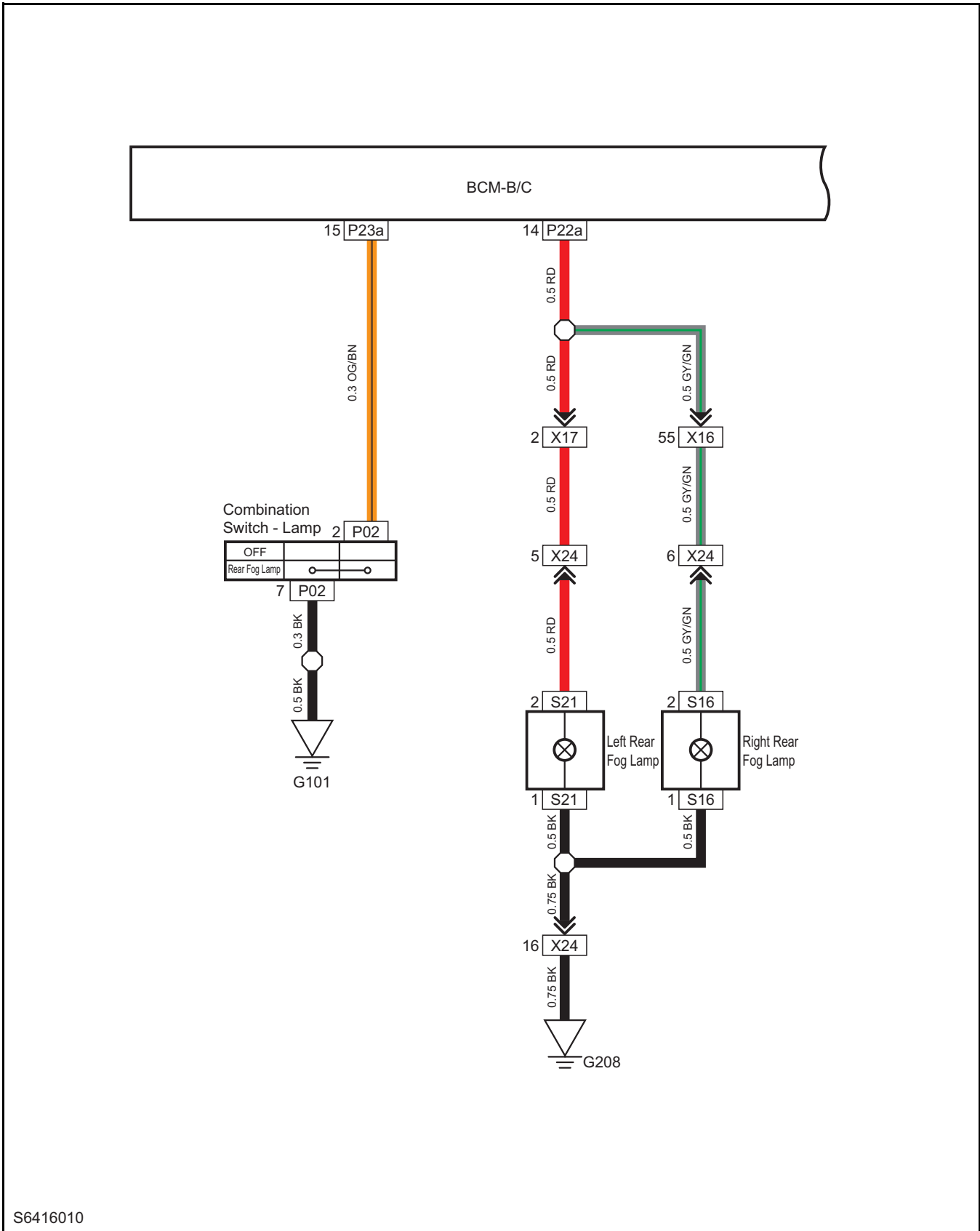
Turn Lamp (for MT LEV1 Model)



Fog Lamp (for LEV2, LEV3 Models)

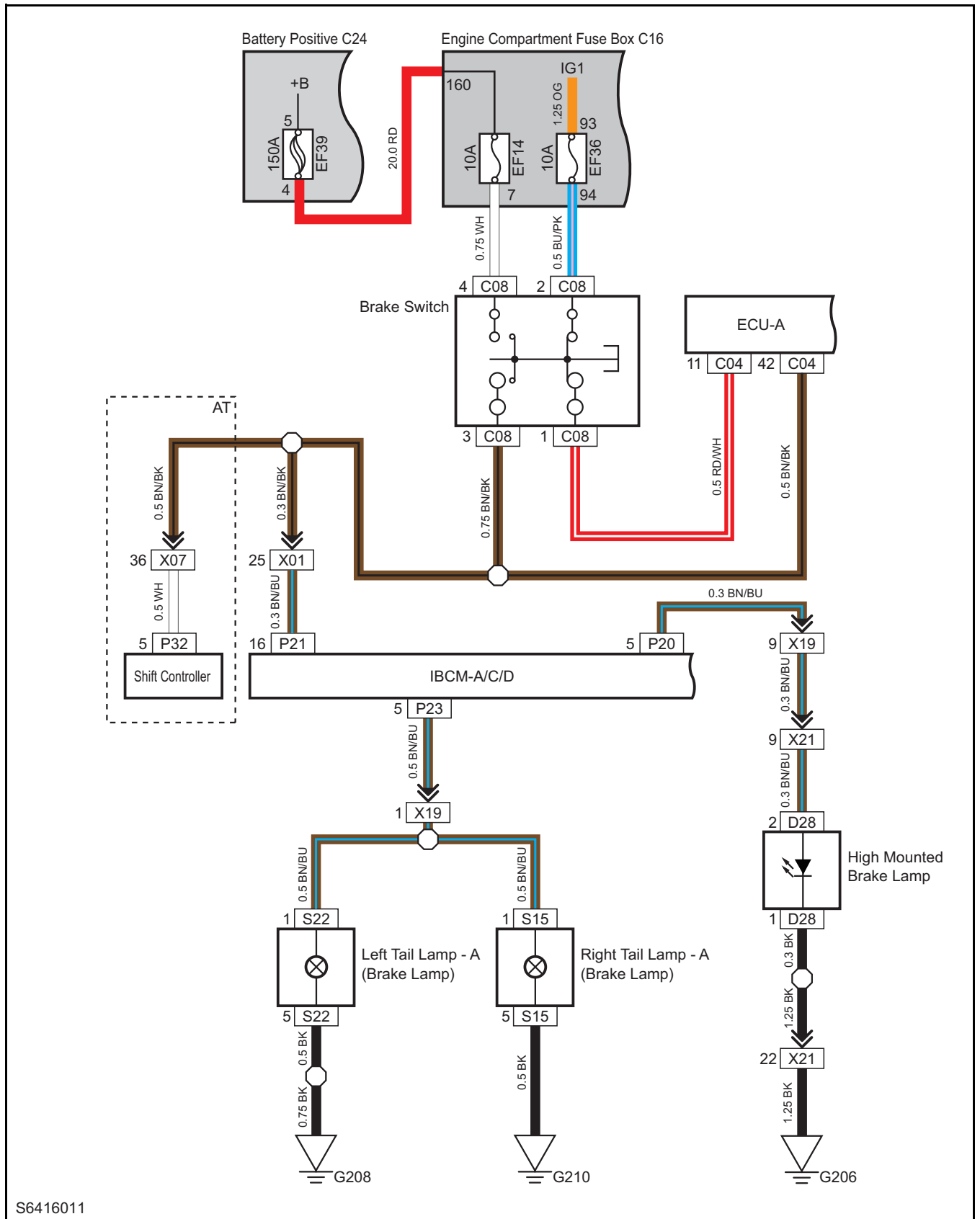


Fog Lamp (for MT LEV1 Model)



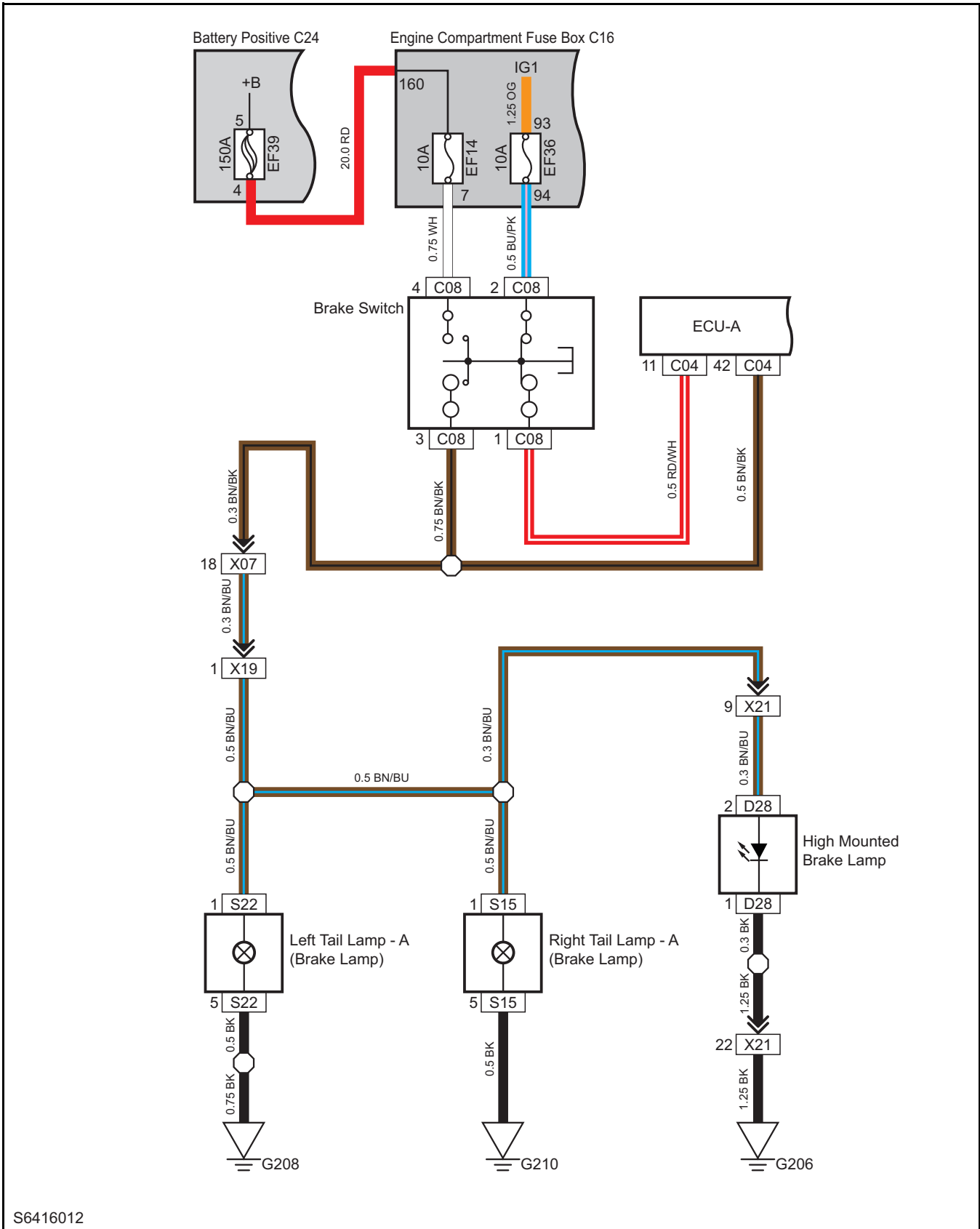
S6416010

Brake Lamp (for LEV2, LEV3 Models)



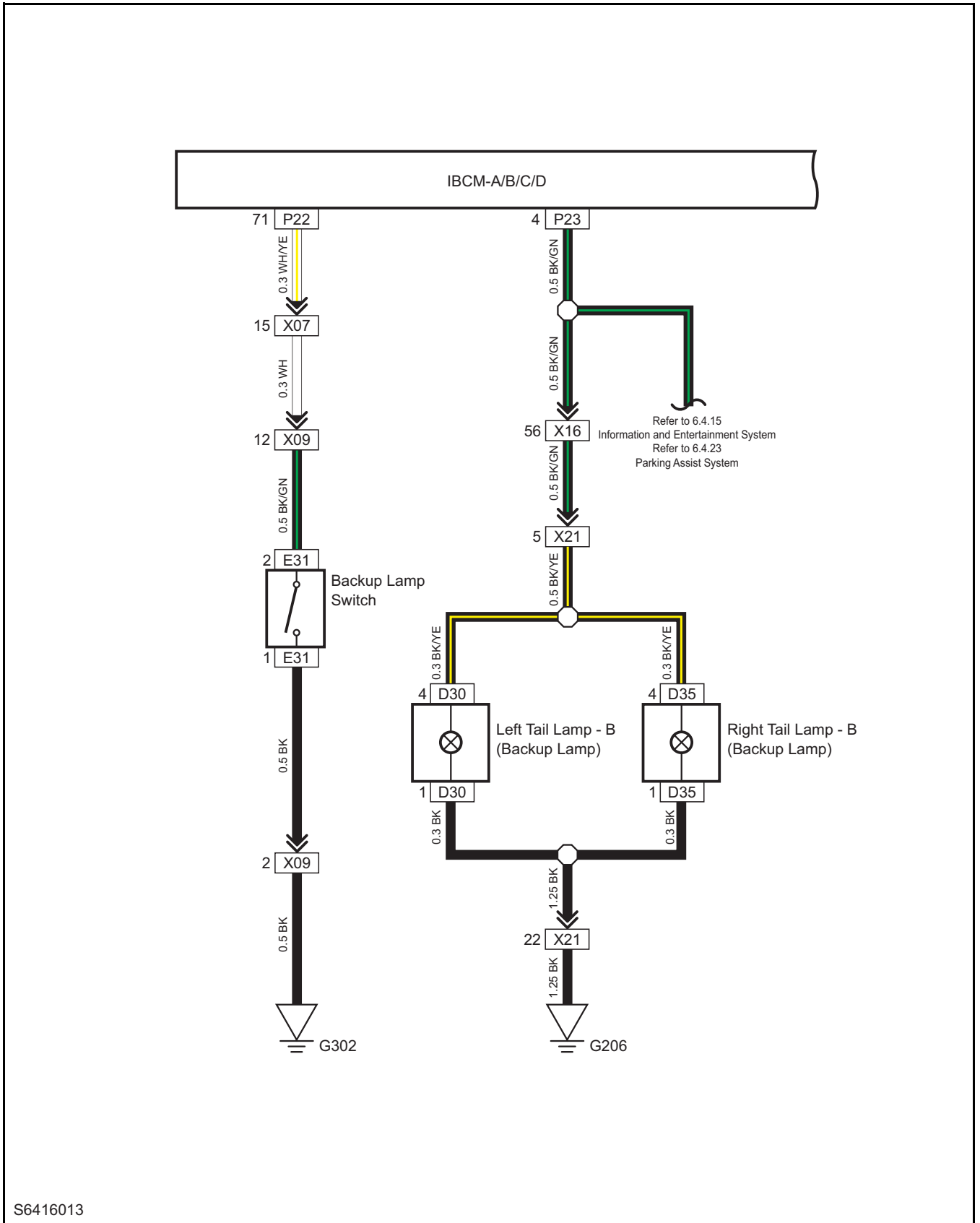
S6416011

Brake Lamp (for MT LEV1 Model)



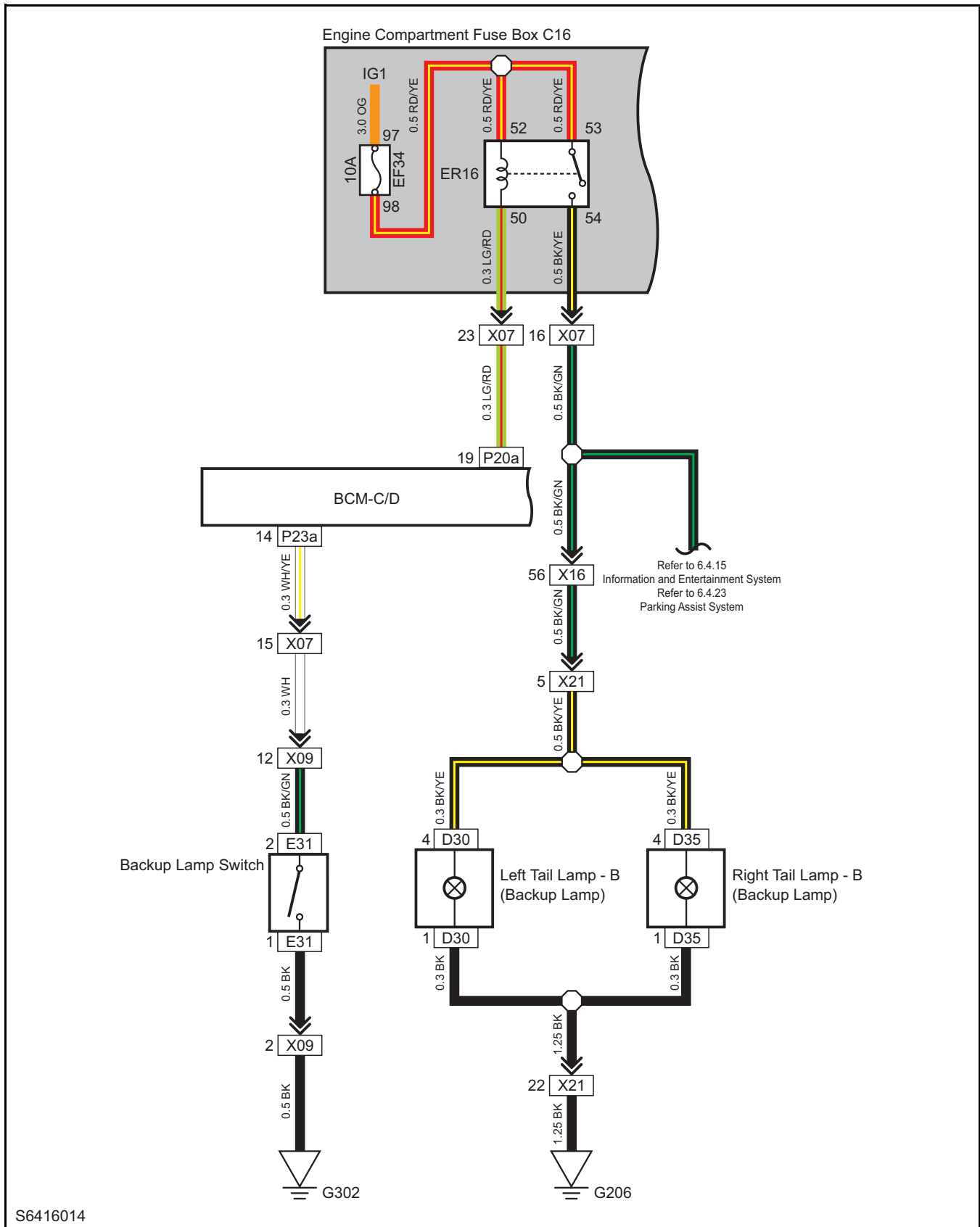
S6416012

Backup Lamp (for LEV2, LEV3 Models)

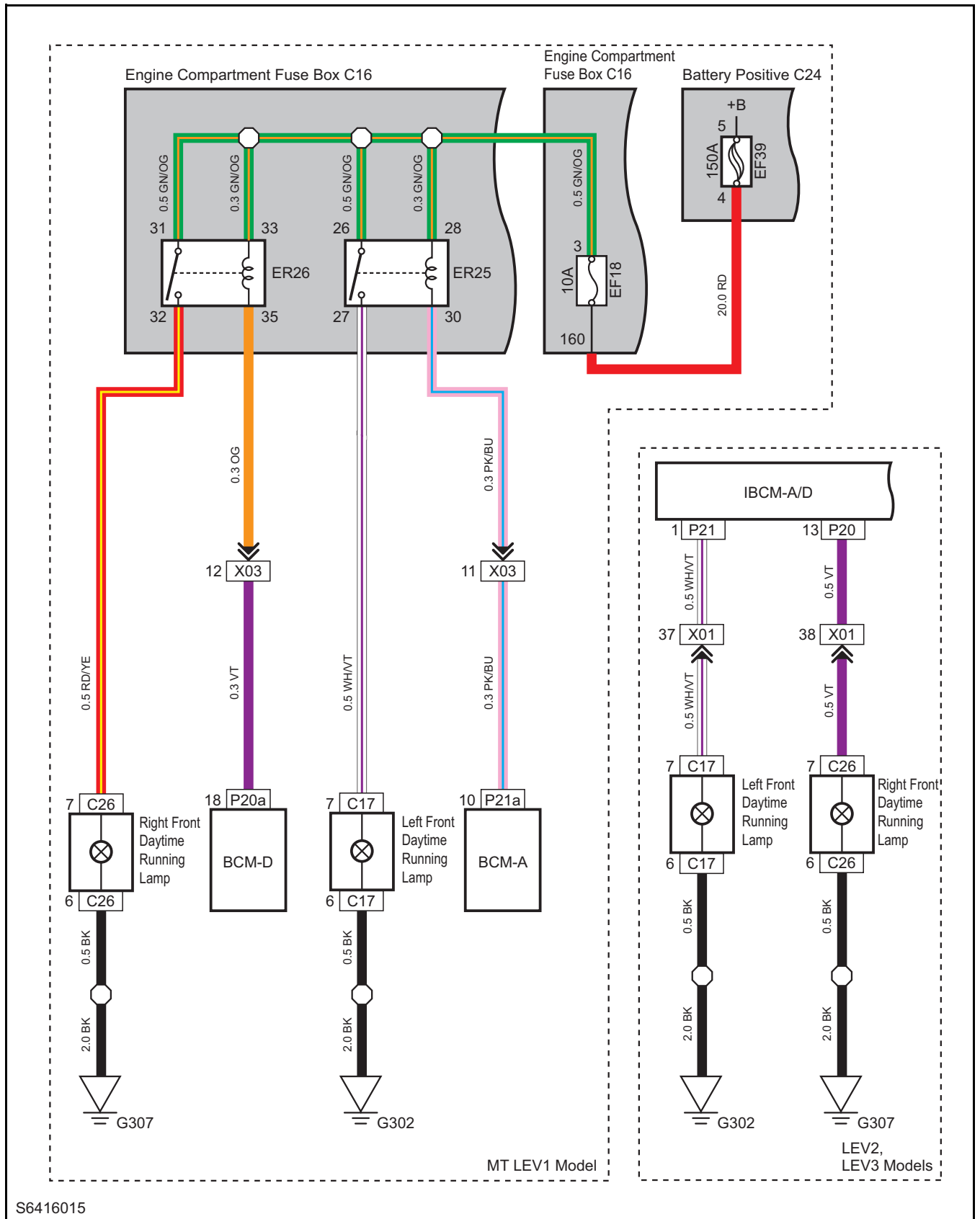


S6416013

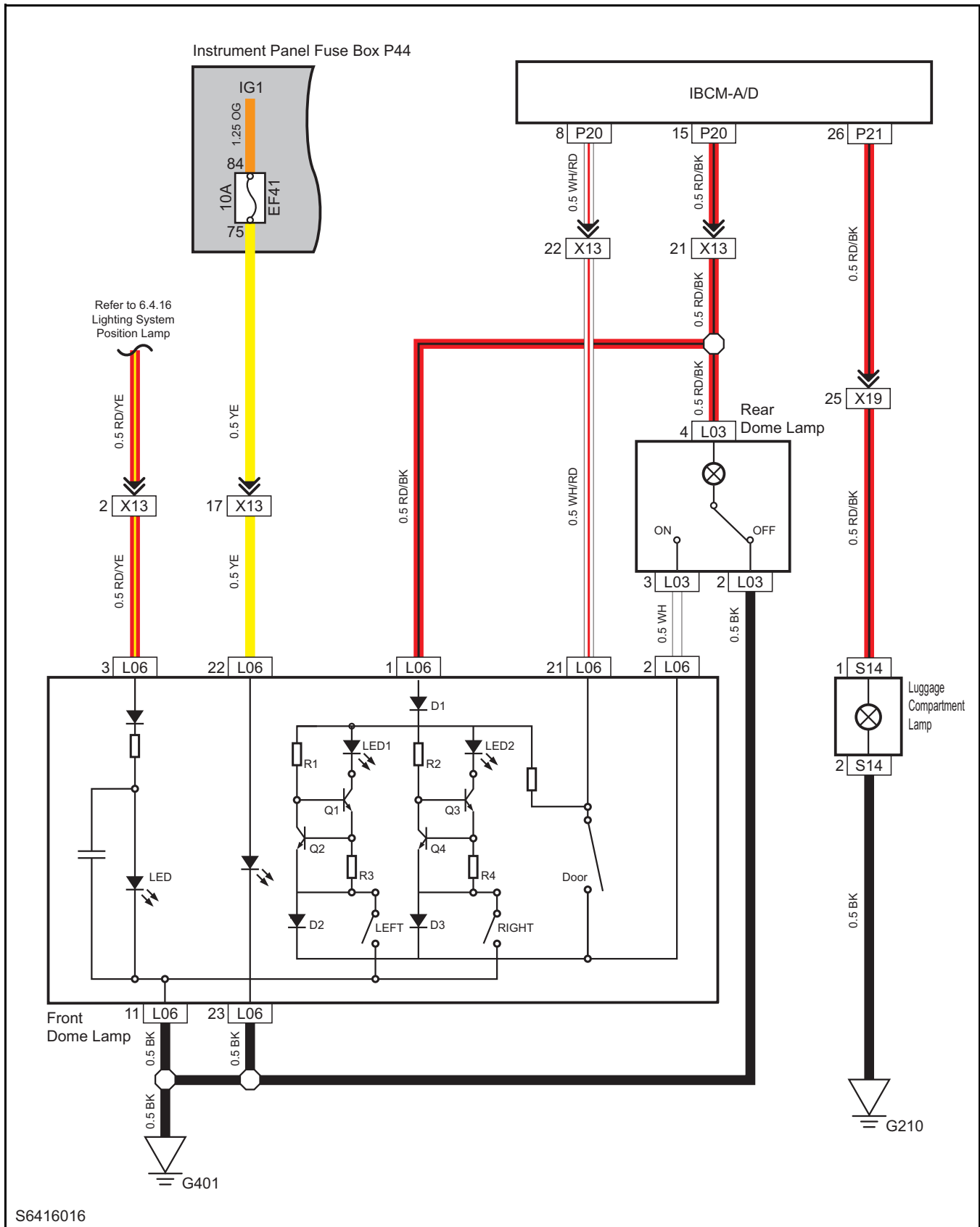
Backup Lamp (for MT LEV1 Model)



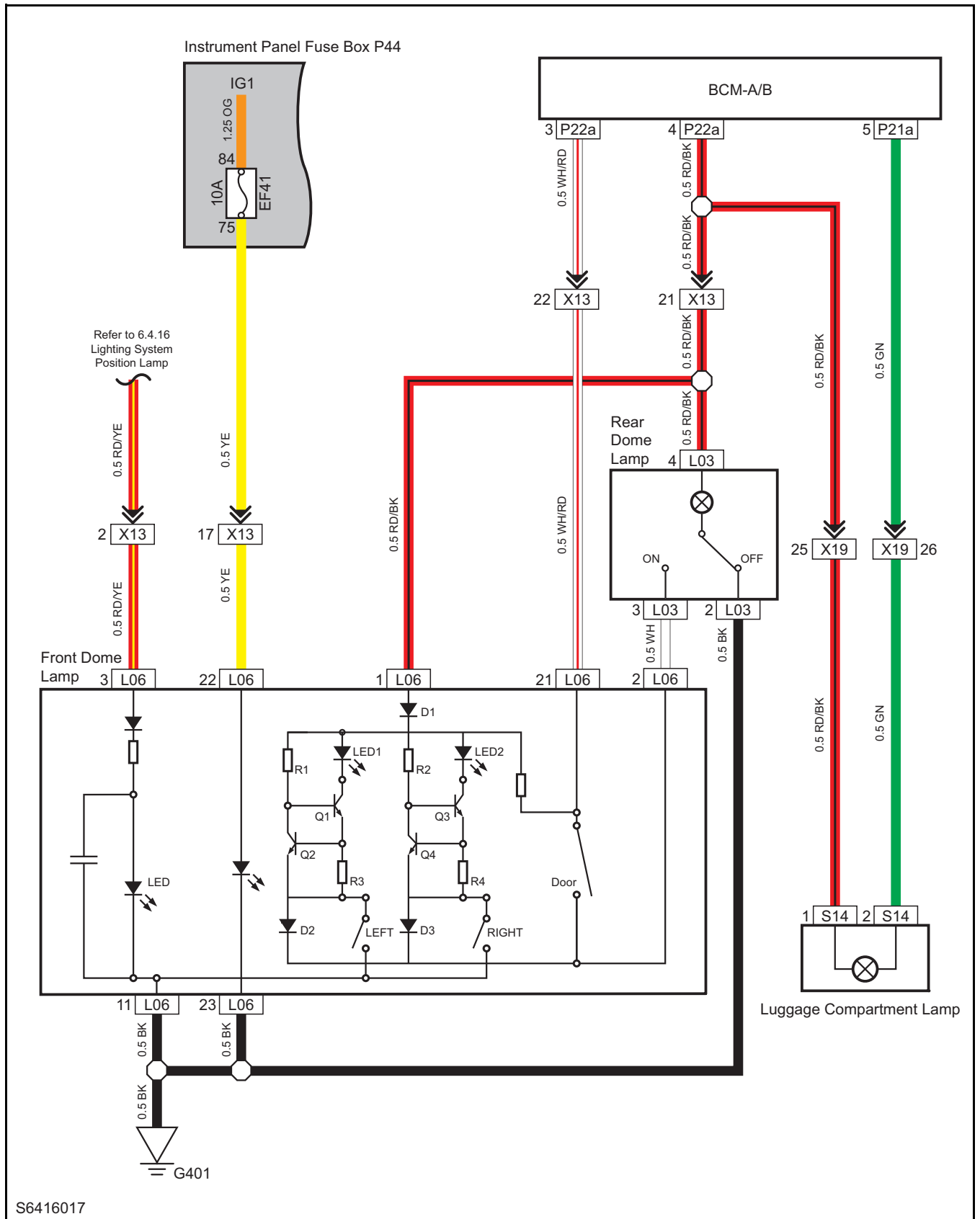
Daytime Running Lamp



Indoor Lamp (for LEV2, LEV3 Models)

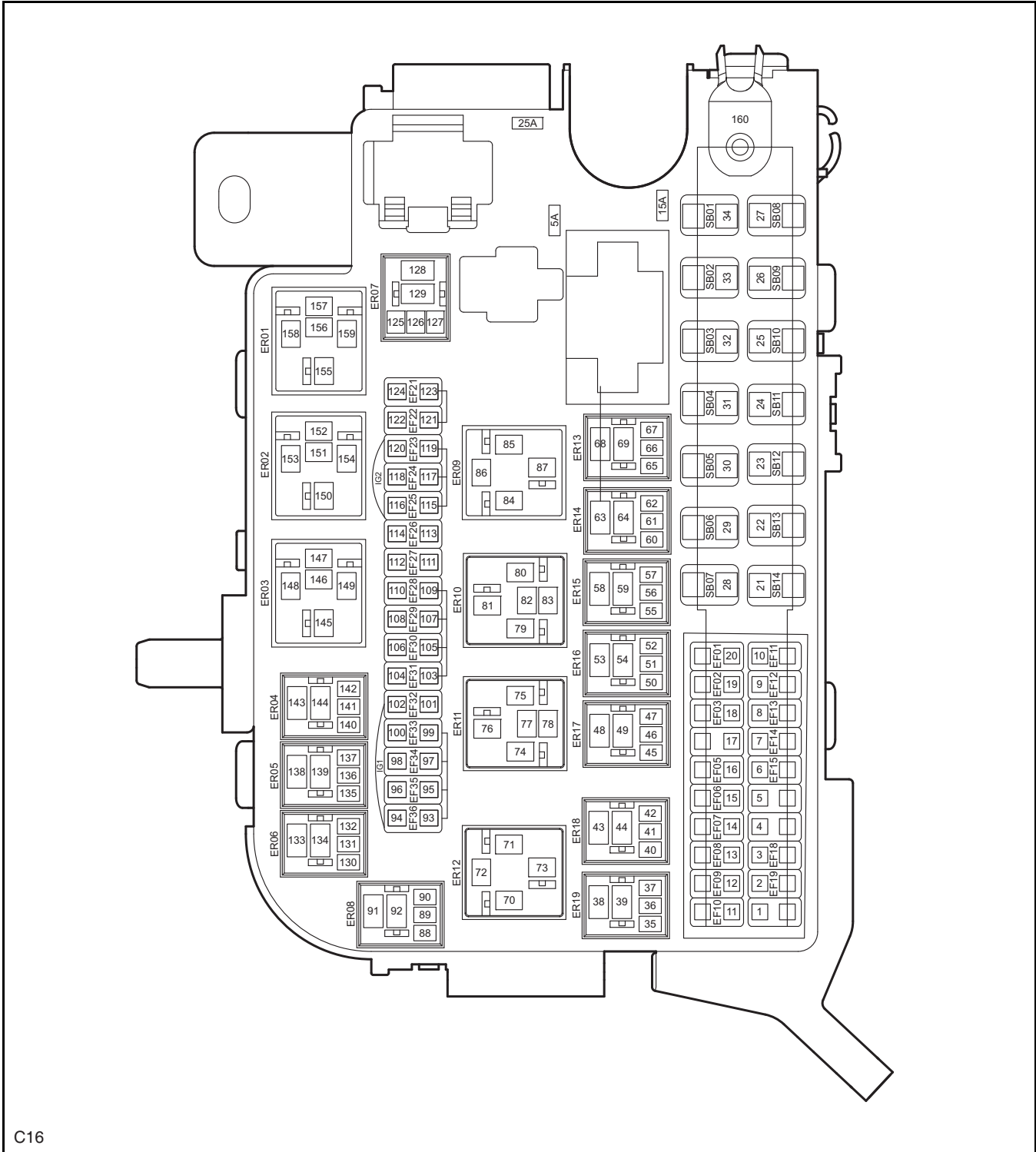


Indoor Lamp (for MT LEV1 Model)



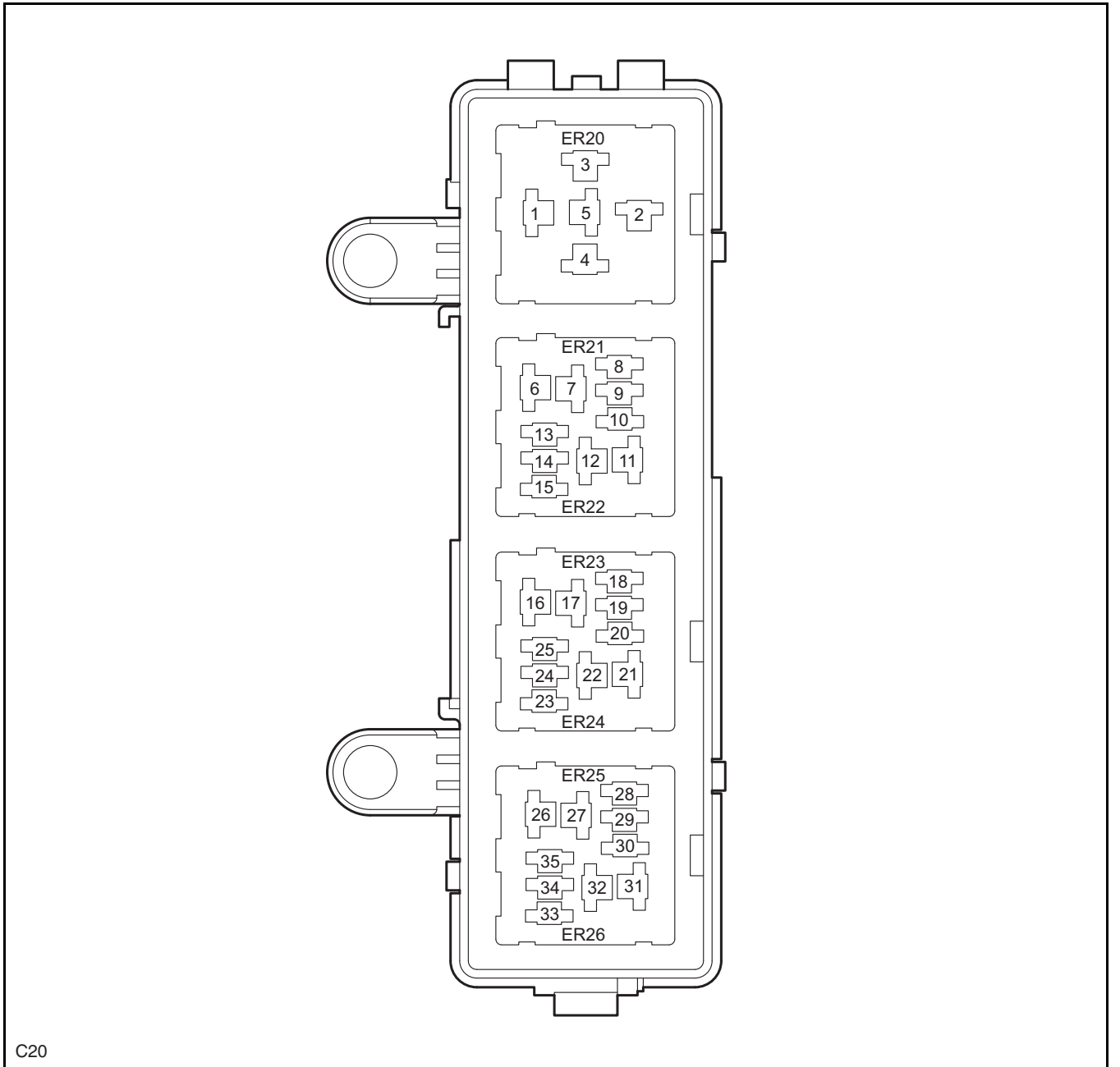
S6416017

Engine Compartment Fuse Box



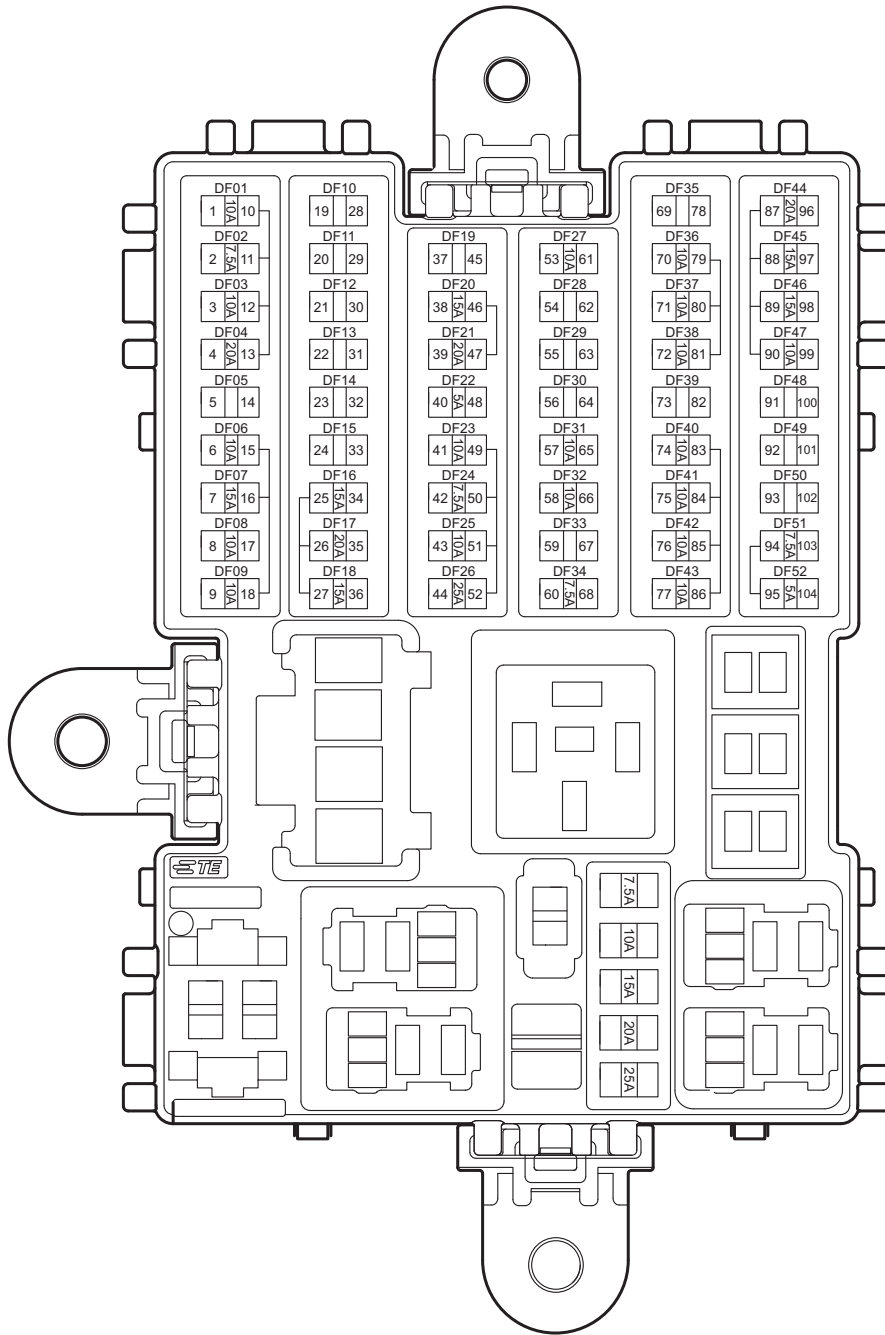
C16

Engine Compartment Sub Fuse Box



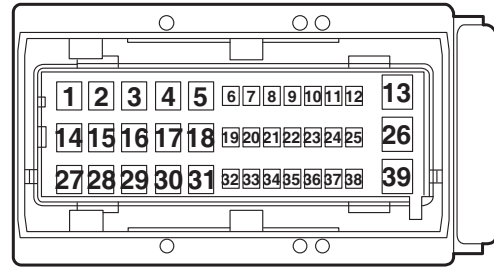
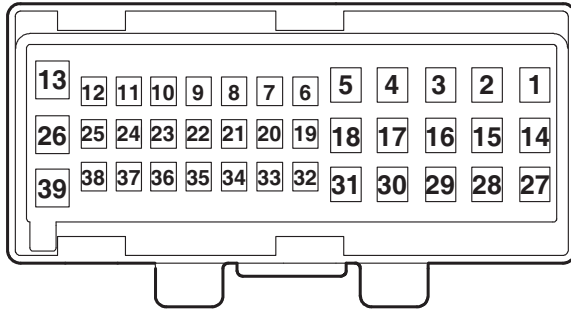
C20

Instrument Panel Fuse Box



Engine Compartment Wiring Harness to Instrument Panel Wiring Harness E

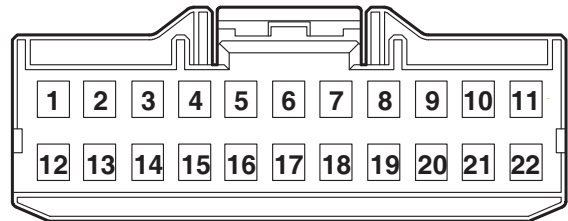
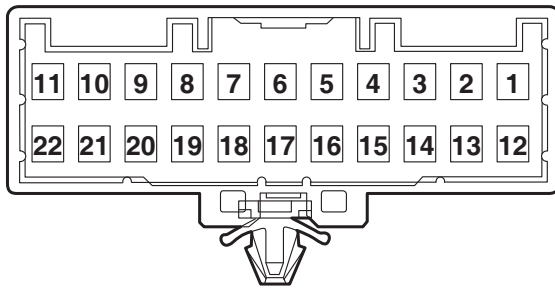
Instrument Panel Wiring Harness to Engine Compartment Wiring Harness E



X01

Engine Compartment Wiring Harness to Instrument Panel Wiring Harness D

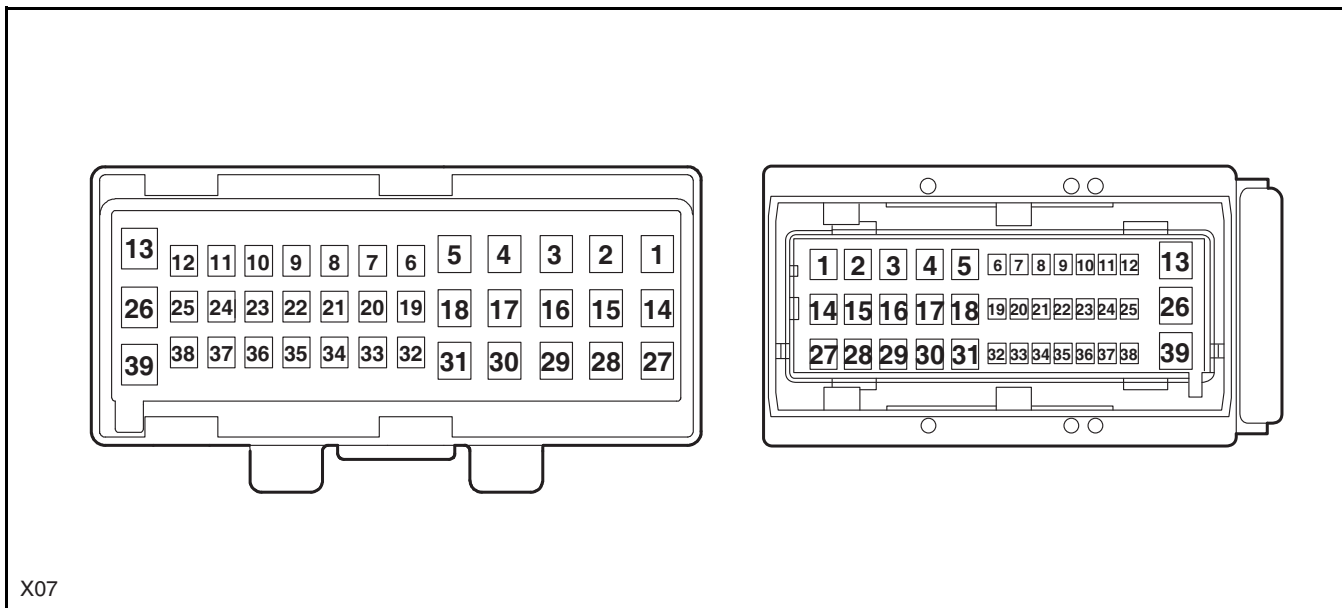
Instrument Panel Wiring Harness to Engine Compartment Wiring Harness D



X03

Engine Compartment Wiring Harness to Instrument Panel Wiring Harness A

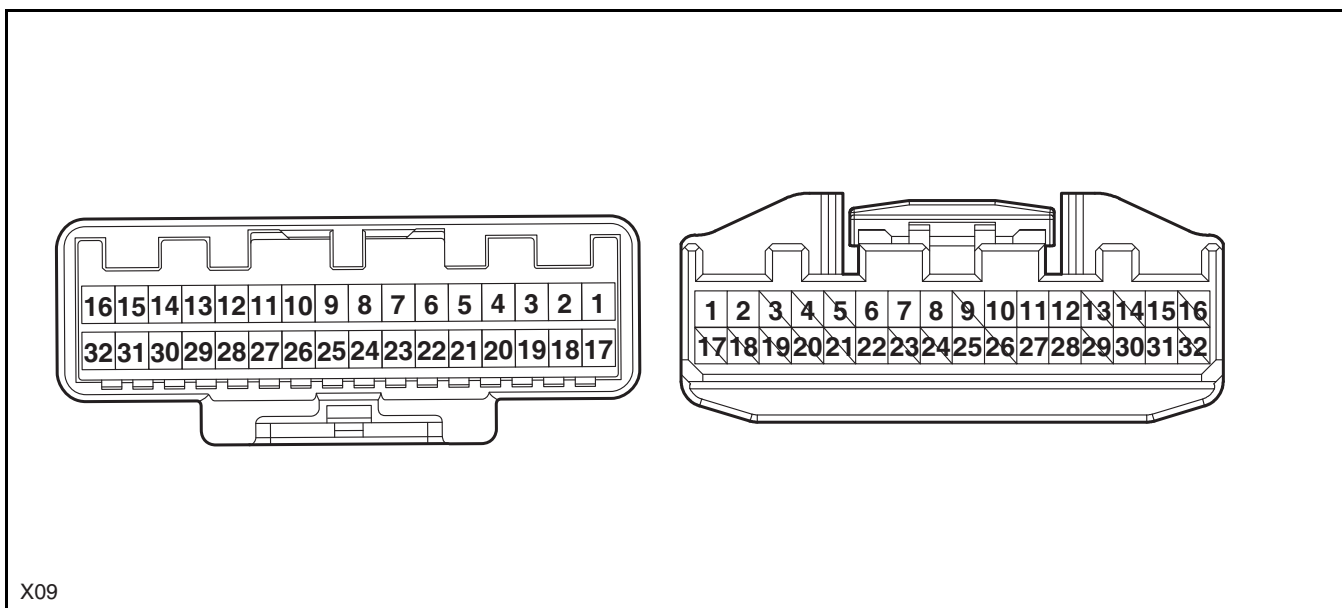
Instrument Panel Wiring Harness to Engine Compartment Wiring Harness A



X07

Engine Compartment Wiring Harness to Engine Wiring Harness A

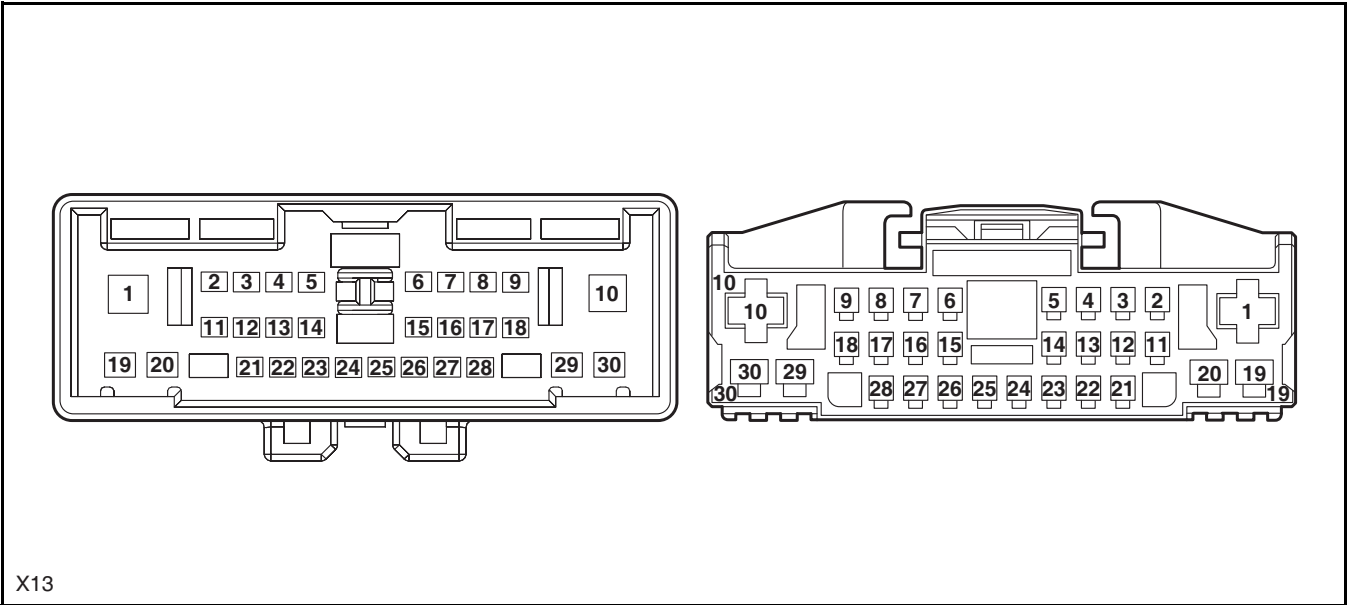
Engine Wiring Harness to Engine Compartment Wiring Harness A



X09

Instrument Panel Wiring Harness to Roof Wiring Harness A

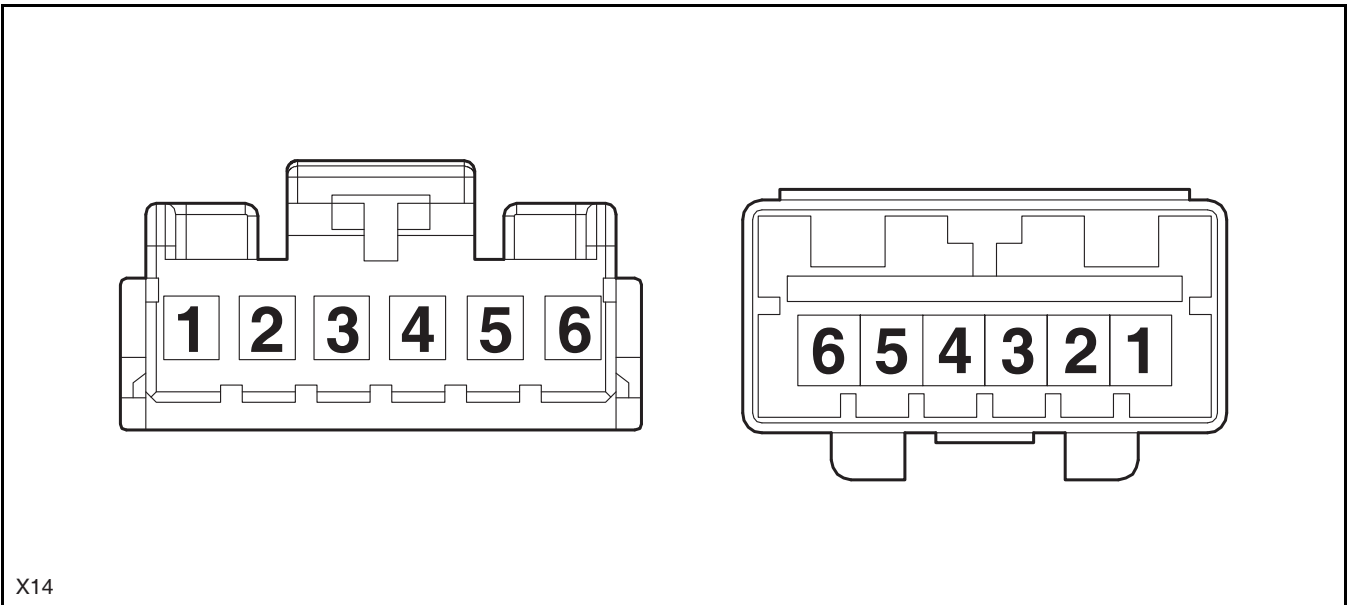
Roof Wiring Harness to Instrument Panel Wiring Harness A



X13

Instrument Panel Wiring Harness to Sunlight Sensor Wiring Harness

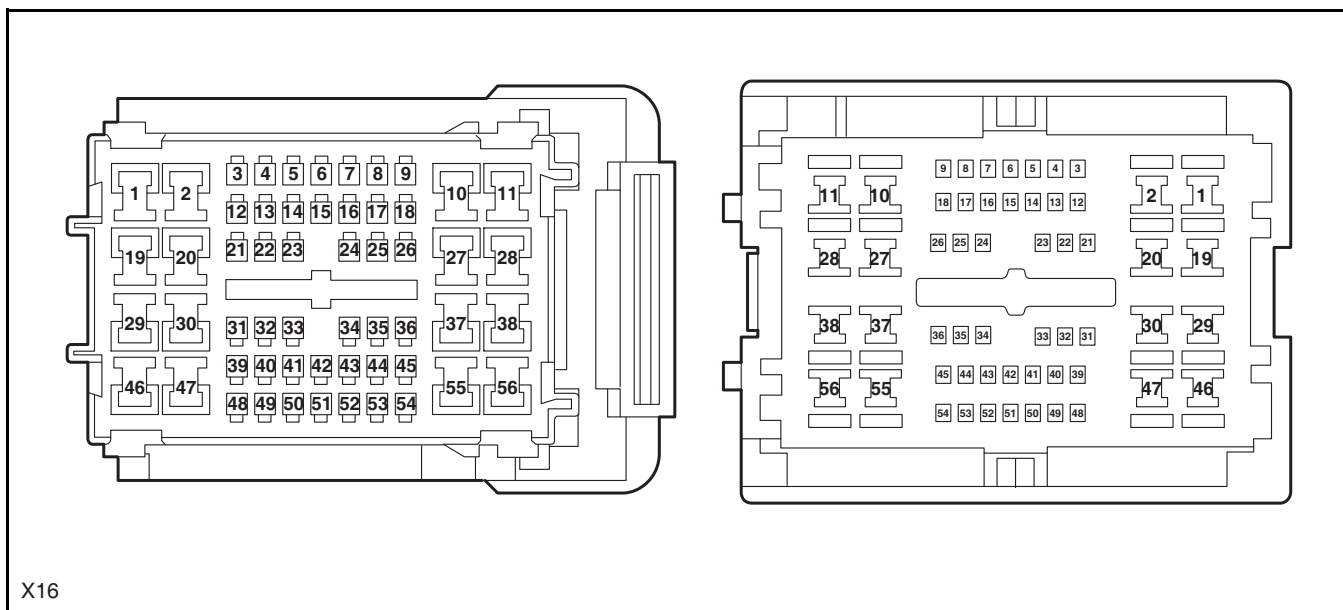
Sunlight Sensor Wiring Harness to Instrument Panel Wiring Harness



X14

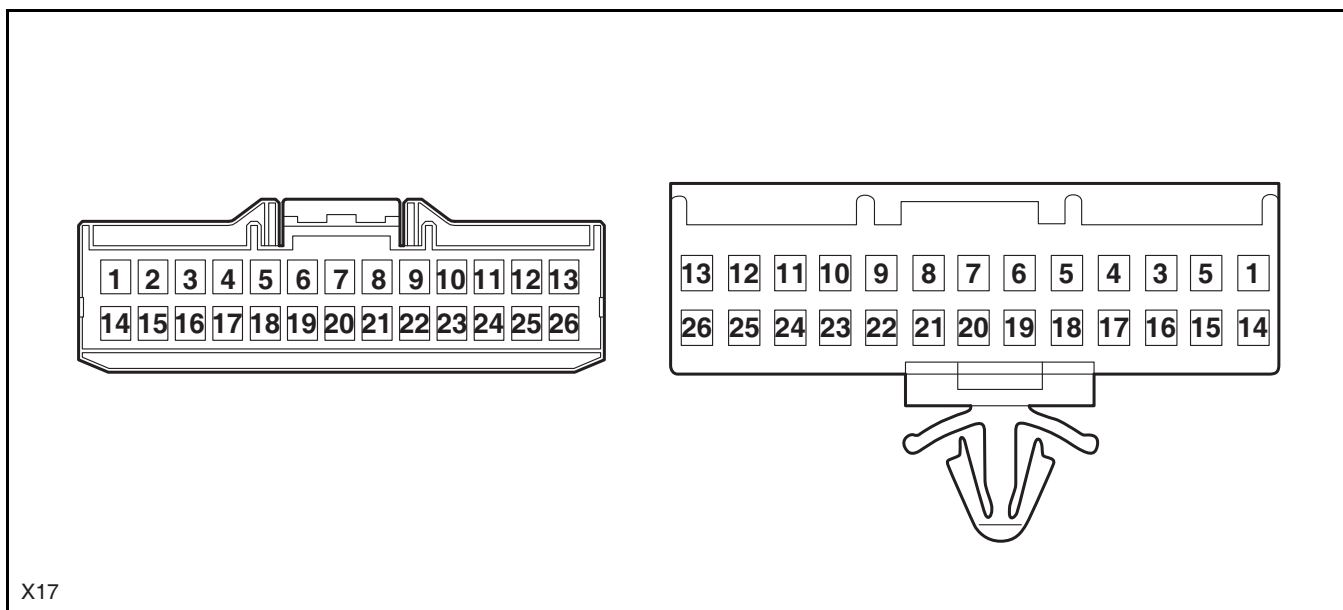
Instrument Panel Wiring Harness to Chassis Wiring Harness C

Chassis Wiring Harness to Instrument Panel Wiring Harness C



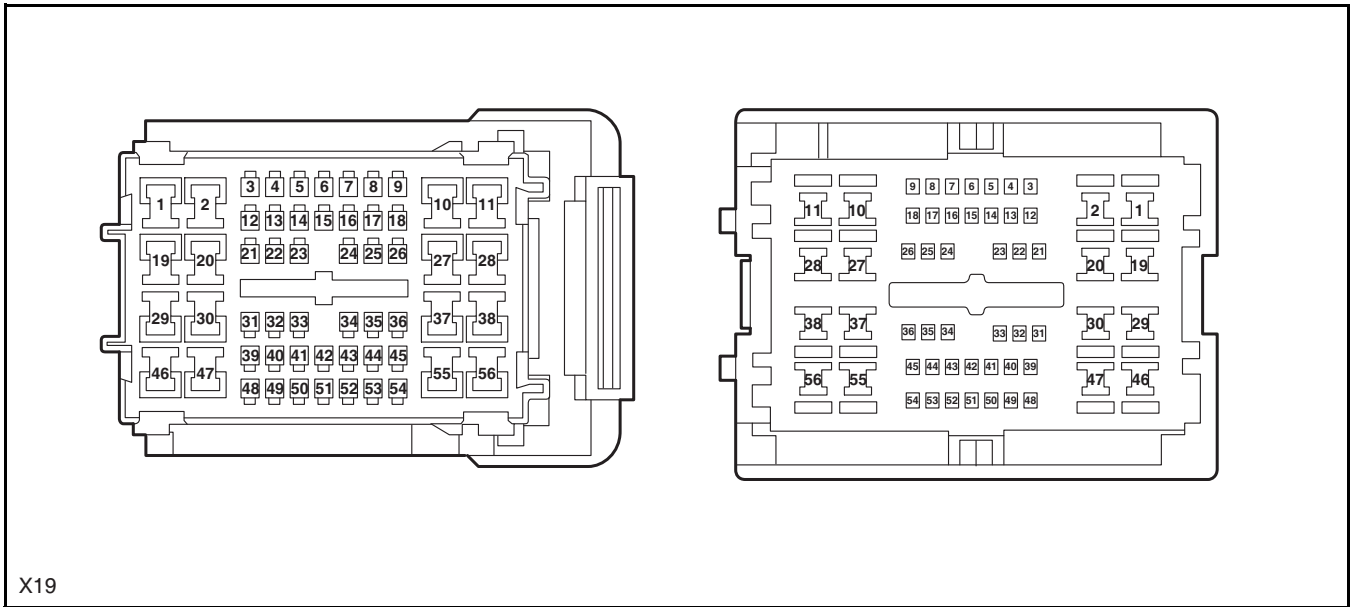
Instrument Panel Wiring Harness to Chassis Wiring Harness D

Chassis Wiring Harness to Instrument Panel Wiring Harness D



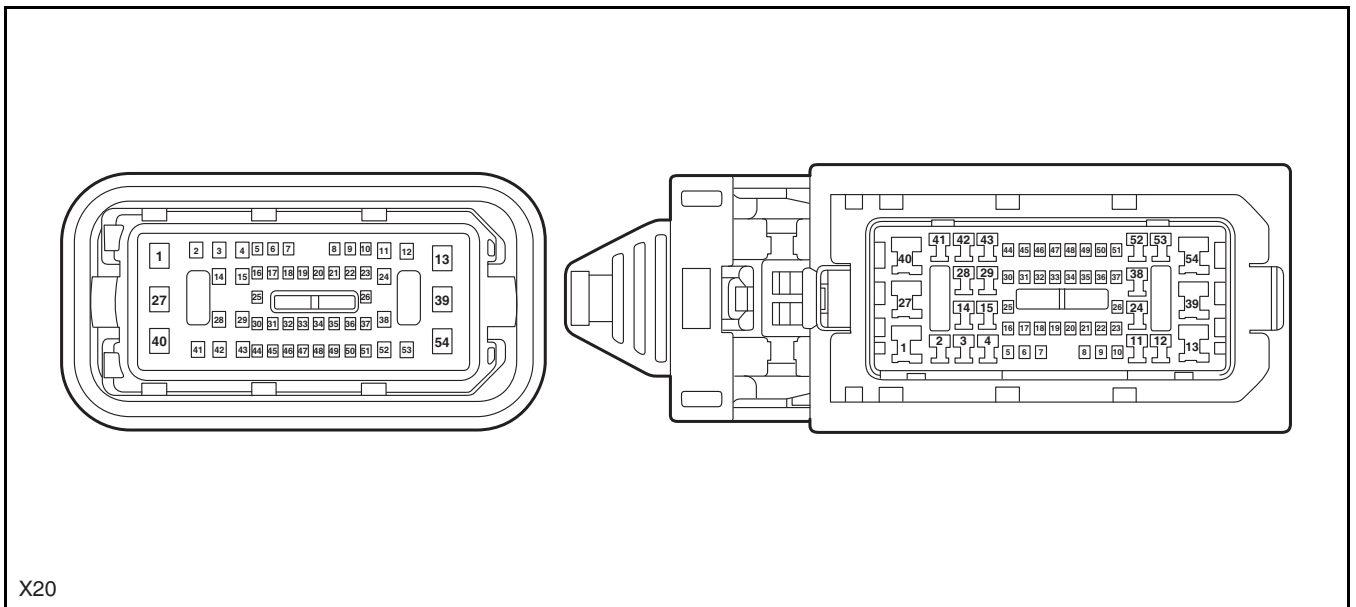
Instrument Panel Wiring Harness to Chassis Wiring Harness A

Chassis Wiring Harness to Instrument Panel Wiring Harness A



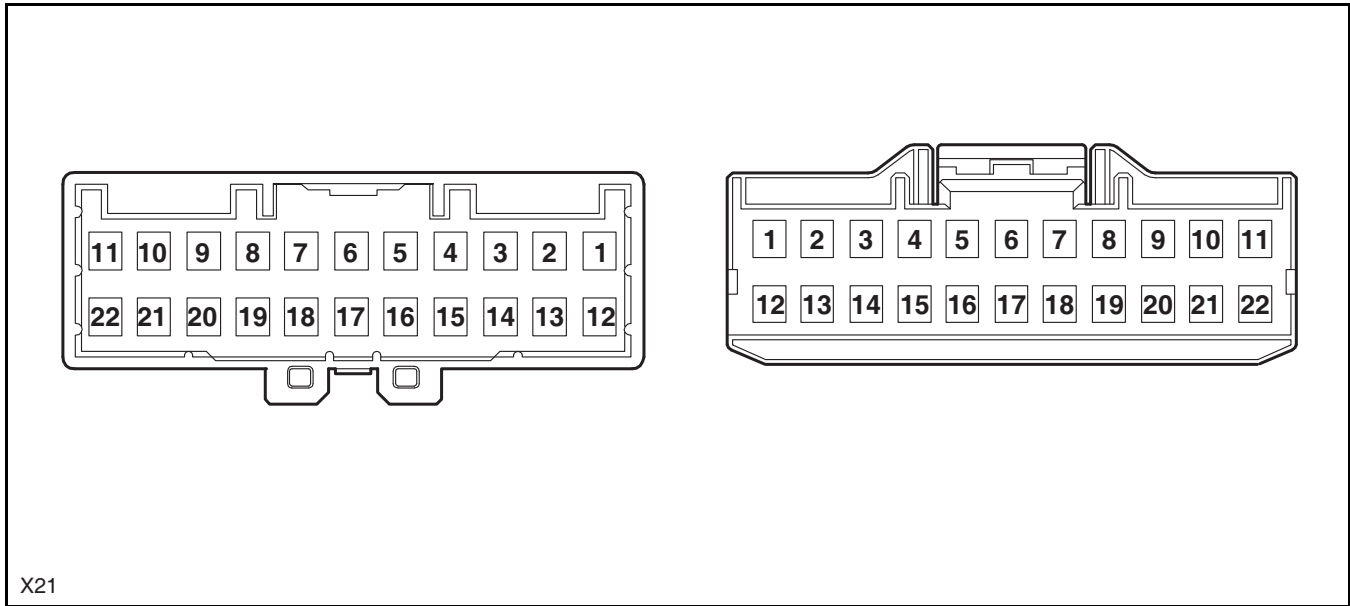
Chassis Wiring Harness to Right Front Door Wiring Harness

Right Front Door Wiring Harness to Chassis Wiring Harness



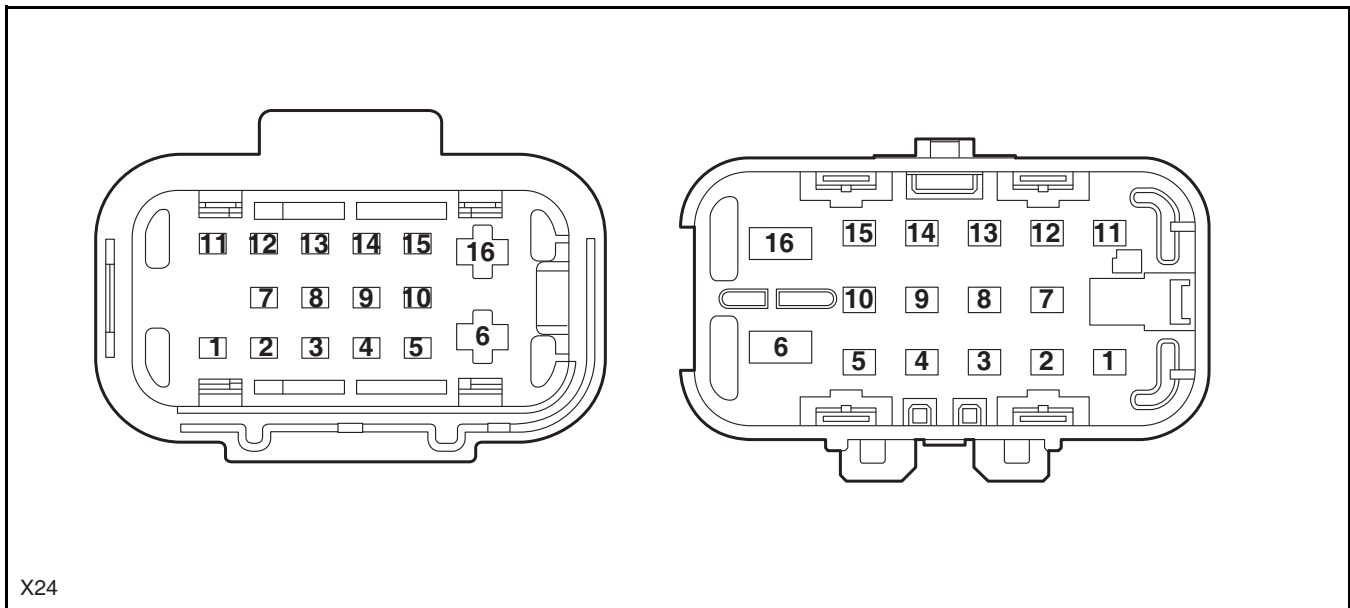
Chassis Wiring Harness to Back Door Wiring Harness

Back Door Wiring Harness to Chassis Wiring Harness



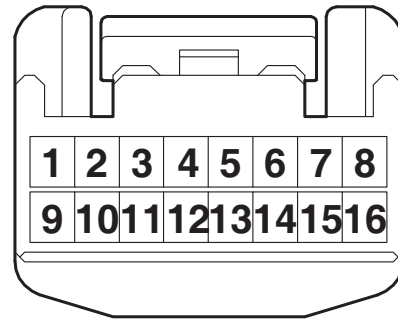
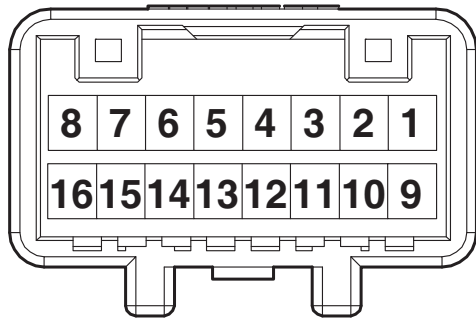
Chassis Wiring Harness to Rear Bumper Wiring Harness

Rear Bumper Wiring Harness to Chassis Wiring Harness



Back Door Wiring Harness to License Plate Lamp
Wiring Harness

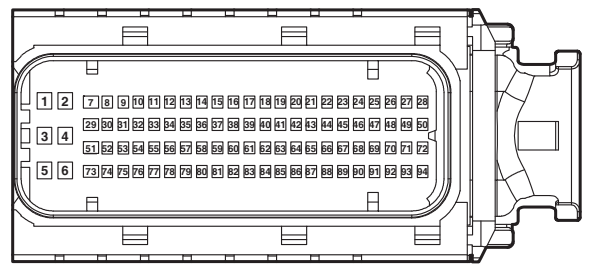
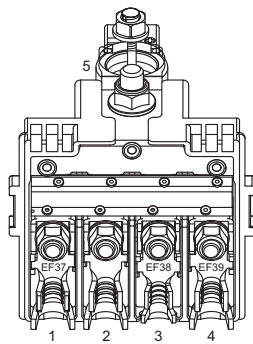
License Plate Lamp Wiring Harness to Back Door
Wiring Harness



X28

Battery Positive

ECU-A

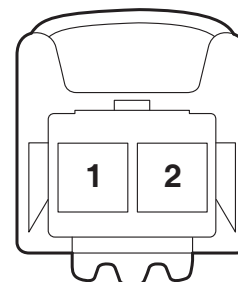
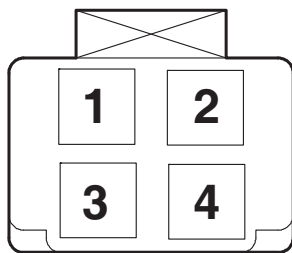


C24

C04

Brake Switch 2

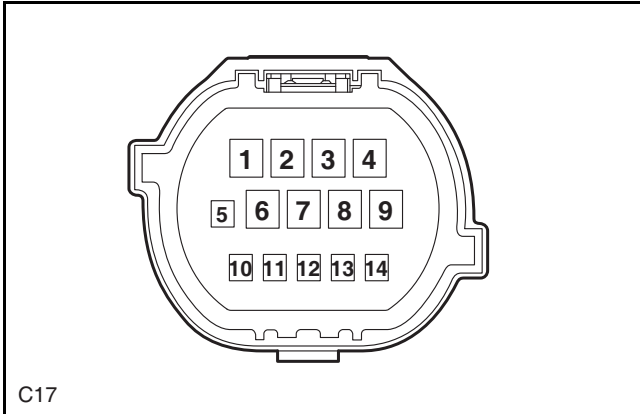
Left Front Fog Lamp



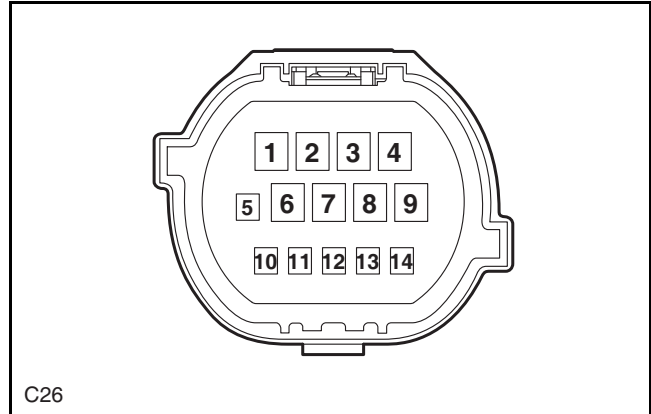
C08

C15

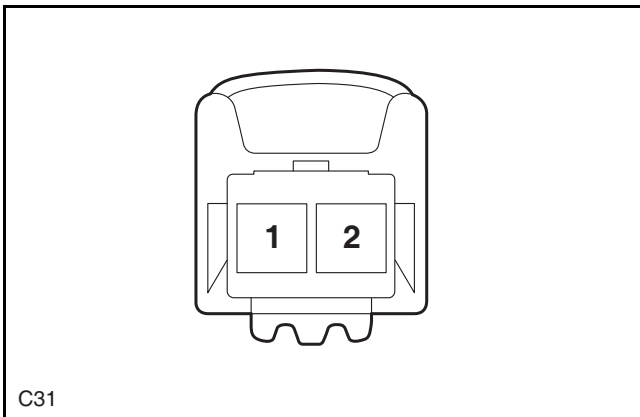
Left Front Combination Lamp



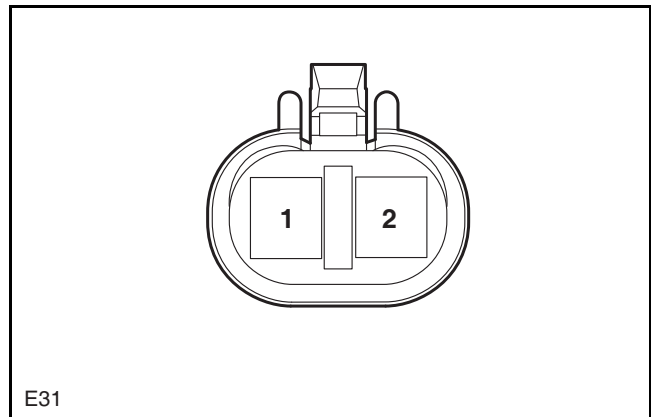
Right Front Combination Lamp



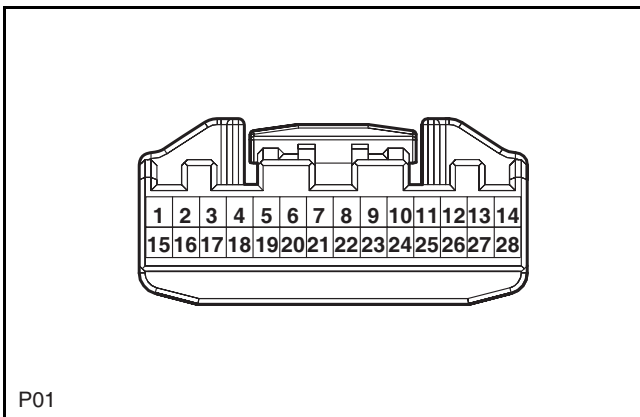
Right Front Fog Lamp



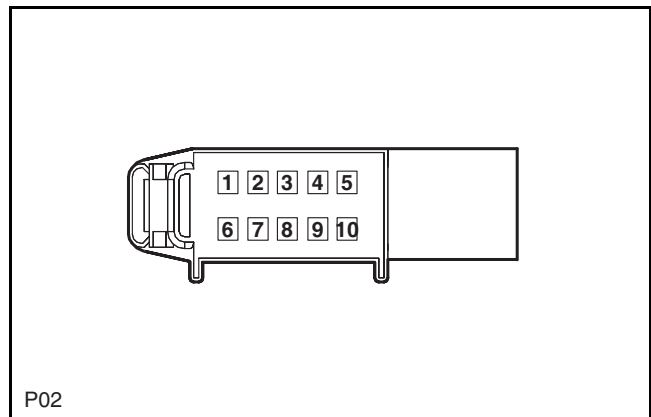
Backup Lamp Switch (MT)



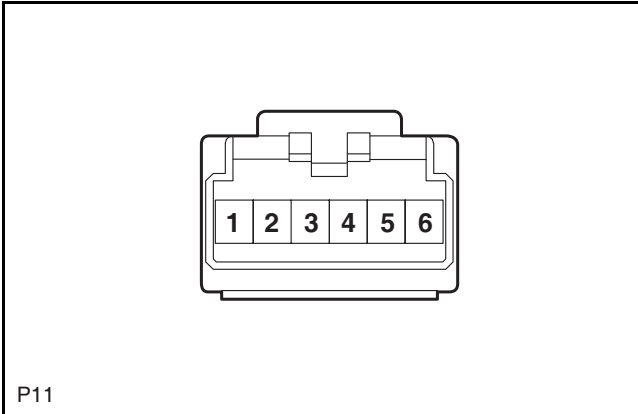
Instrument Panel Switch Box



Combination Switch - Lamp



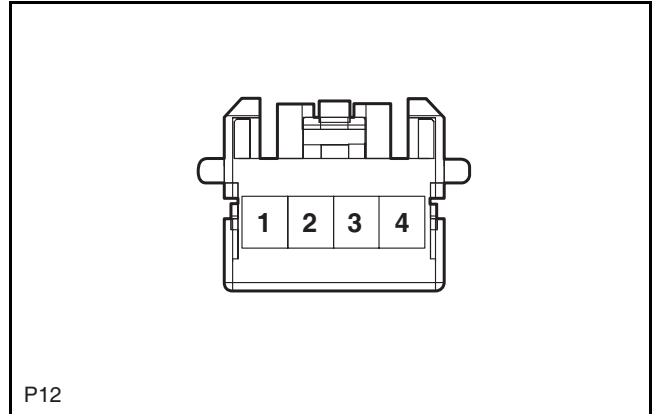
Sunlight Sensor



P11

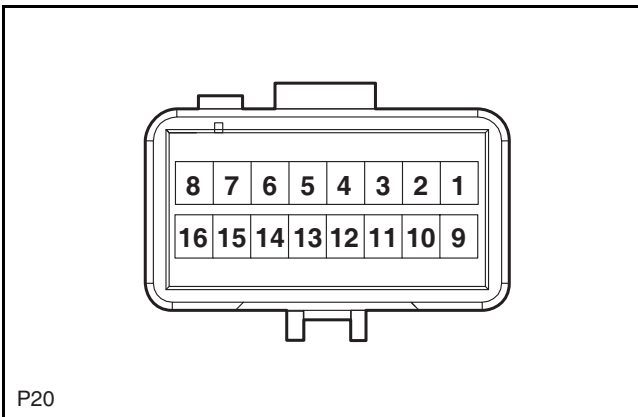
IBCM-D

Emergency Alarm Switch



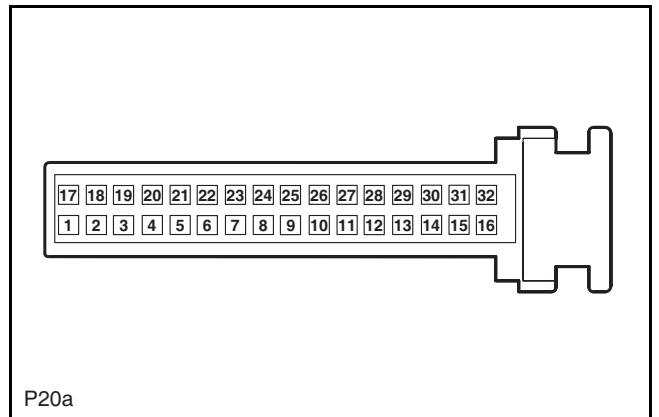
P12

BCM-D



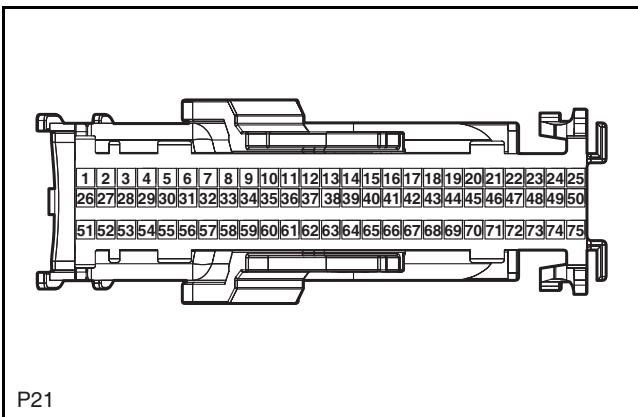
P20

IBCM-A

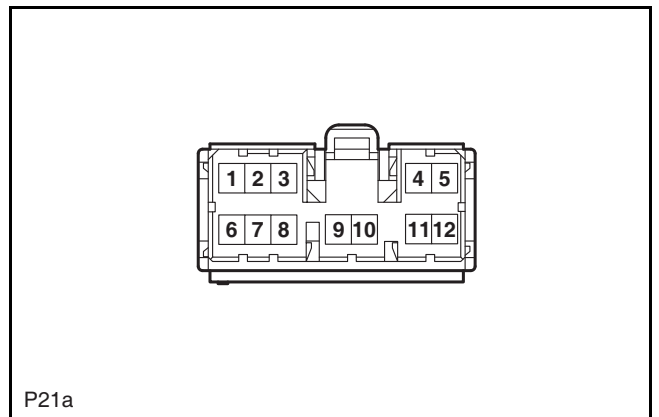


P20a

BCM-A

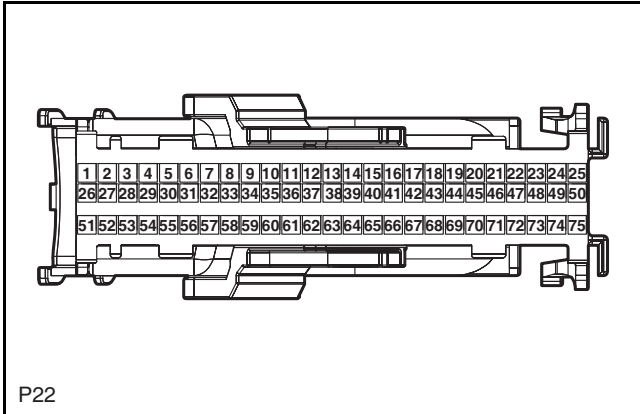


P21



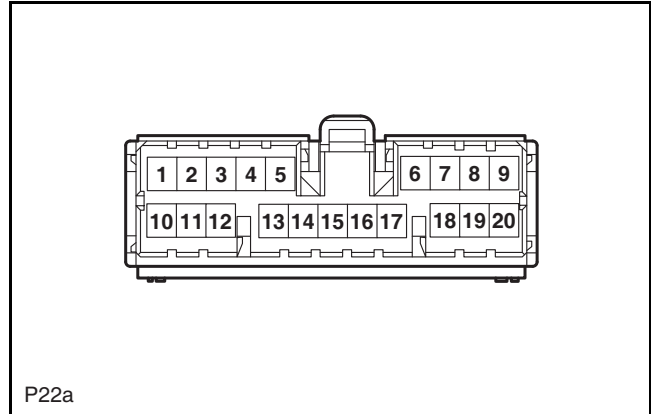
P21a

IBCM-B



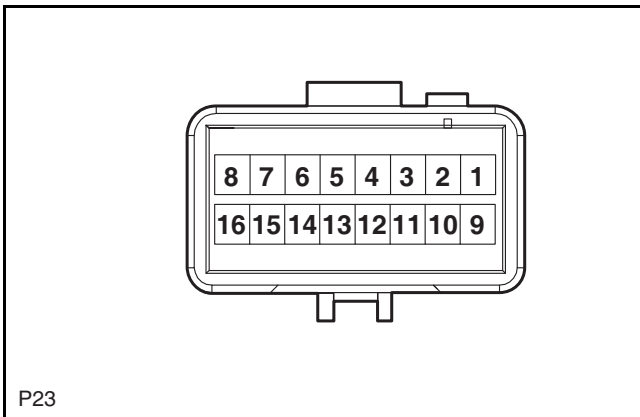
P22

BCM-B



P22a

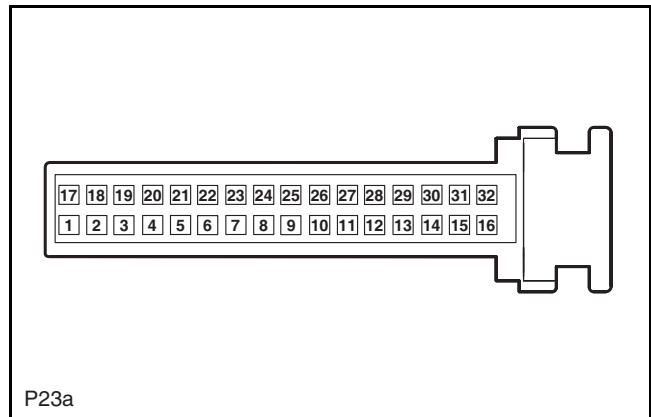
IBCM-C



P23

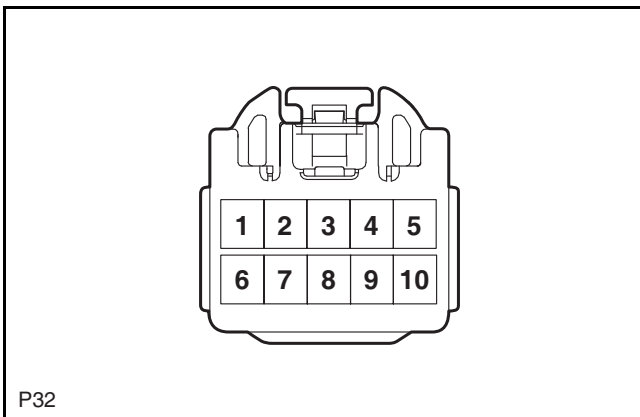
Shift Controller

BCM-C

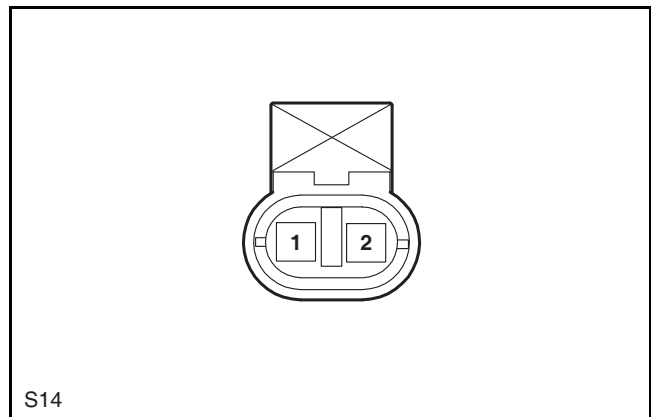


P23a

Luggage Compartment Lamp

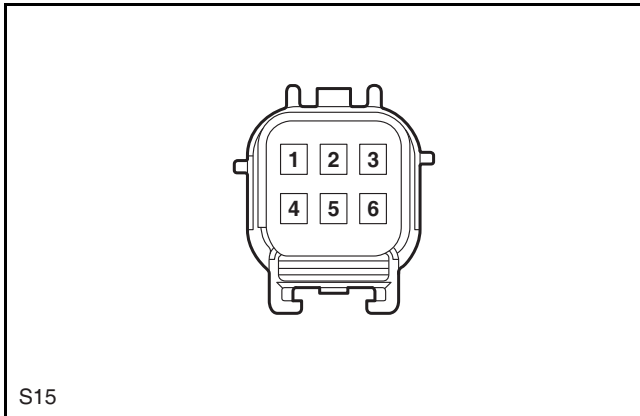


P32

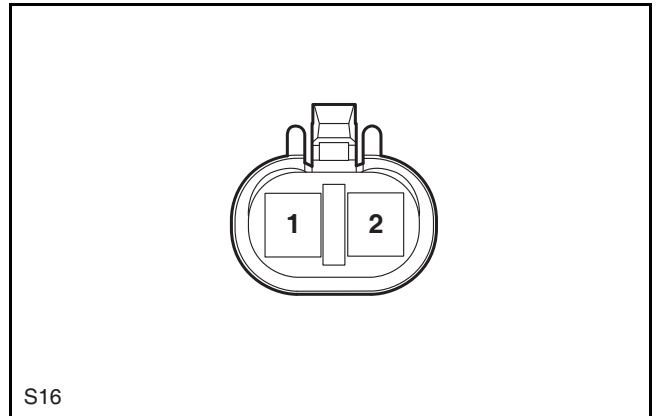


S14

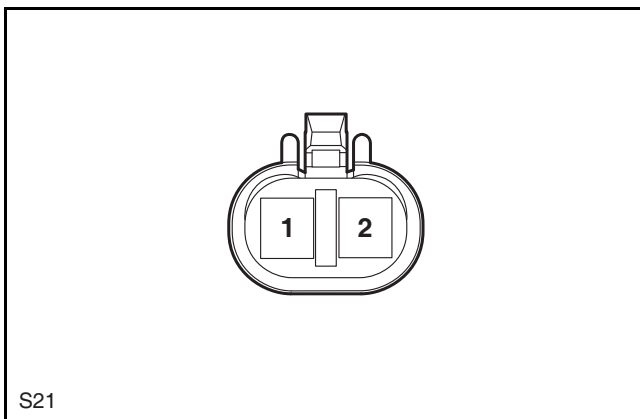
Right Tail Lamp - A\



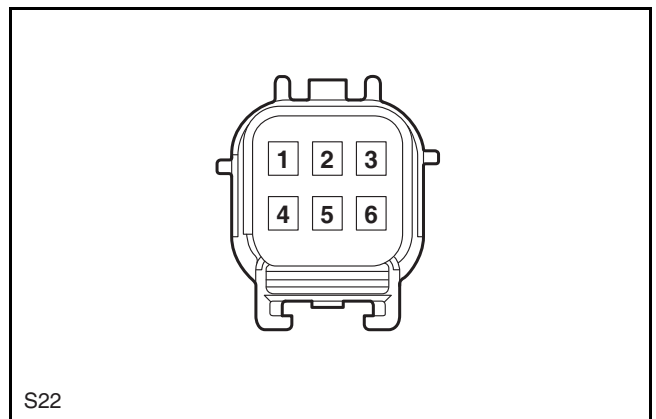
Right Rear Fog Lamp



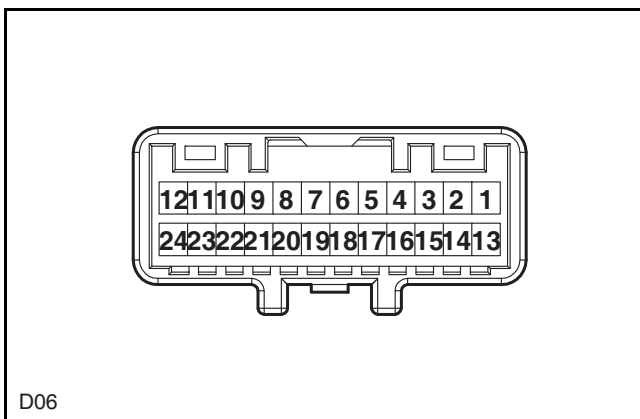
Left Rear Fog Lamp



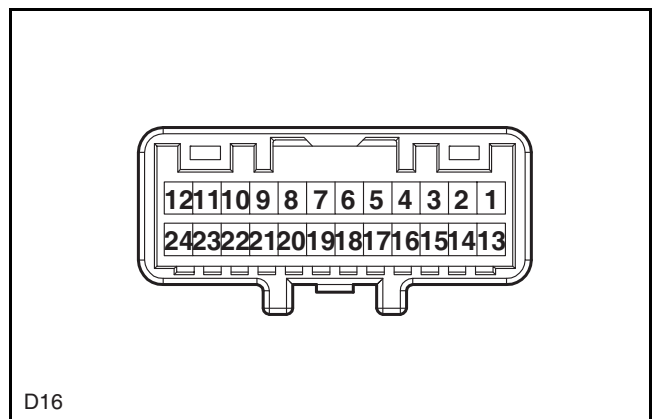
Left Tail Lamp - A



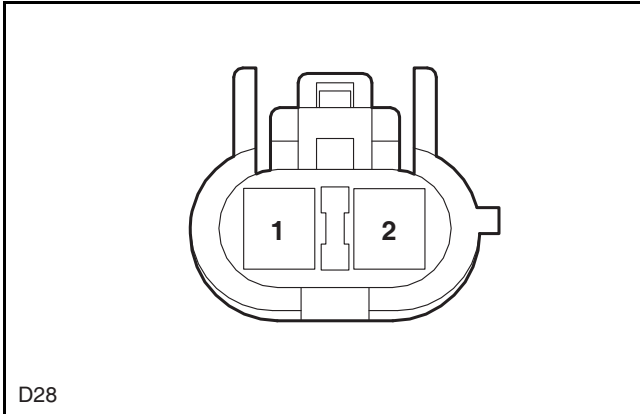
Left Front Door Outside Rearview Mirror



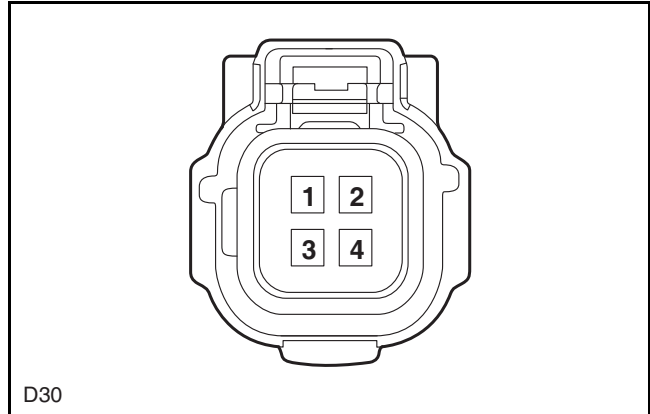
Right Front Door Outside Rearview Mirror



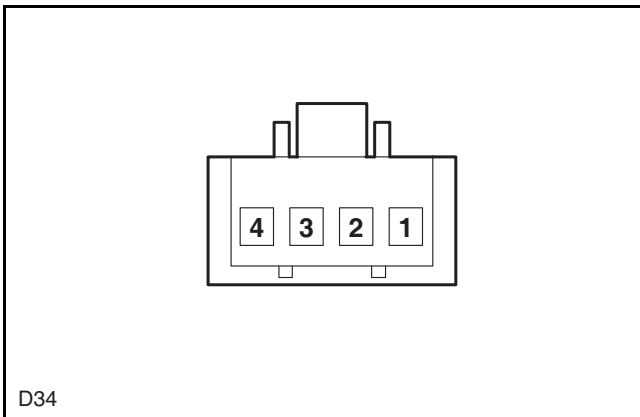
High Mounted Brake Lamp



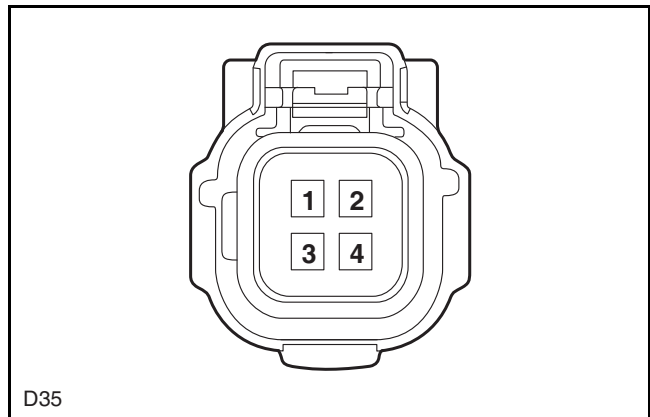
Left Tail Lamp - B



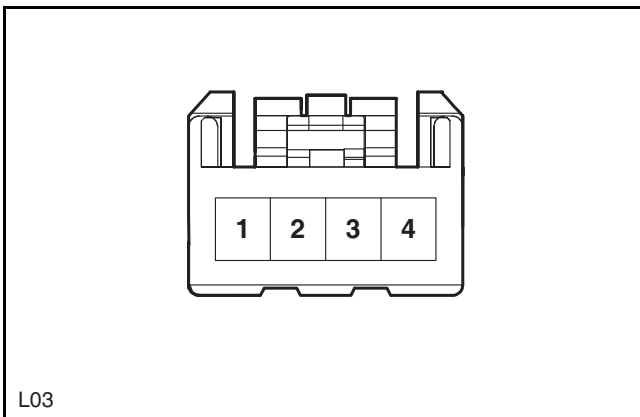
Left License Plate Lamp



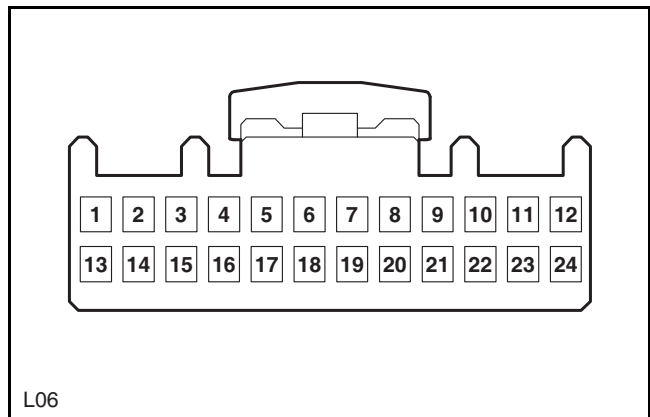
Right Tail Lamp - B



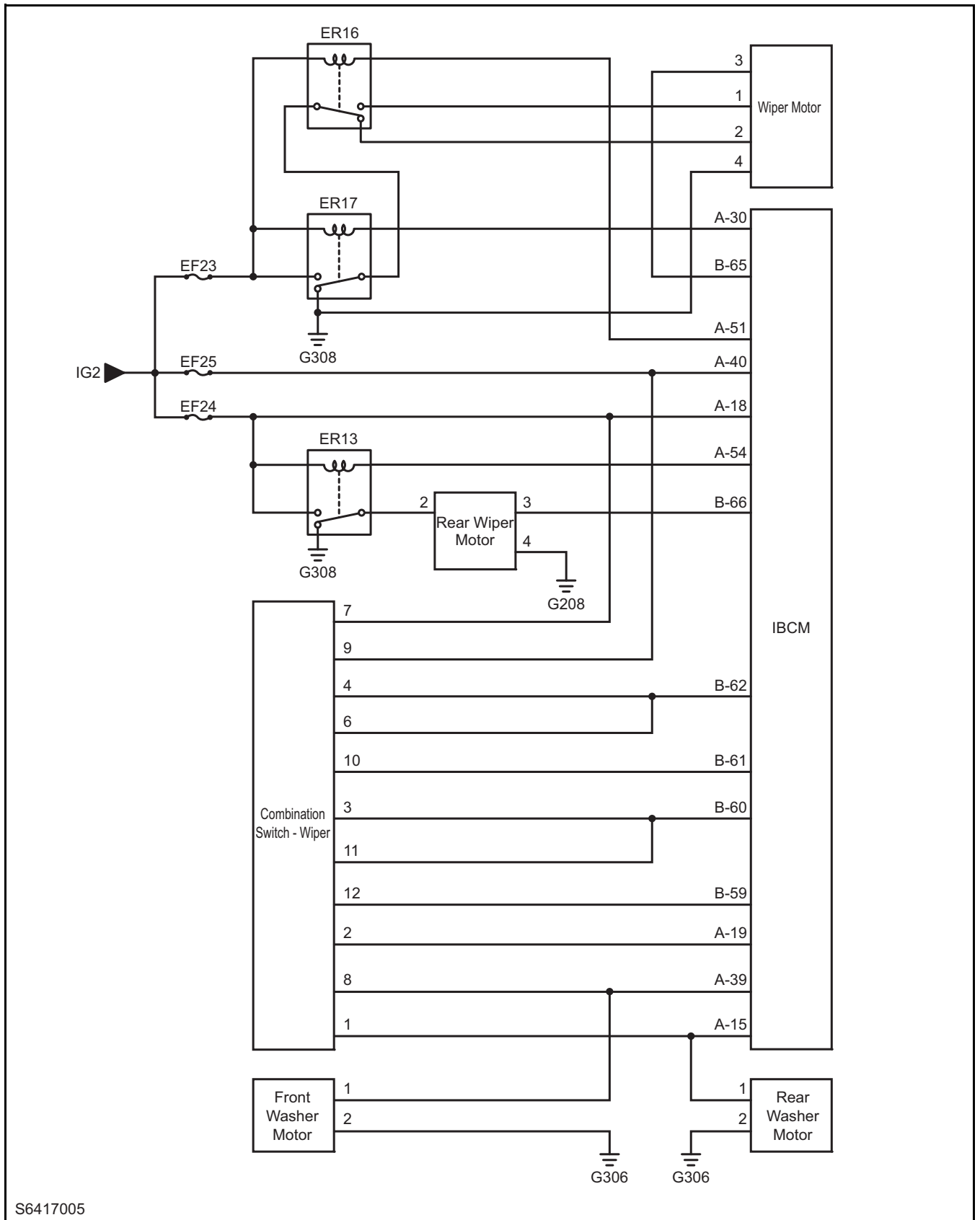
Rear Dome Lamp



Front Dome Lamp

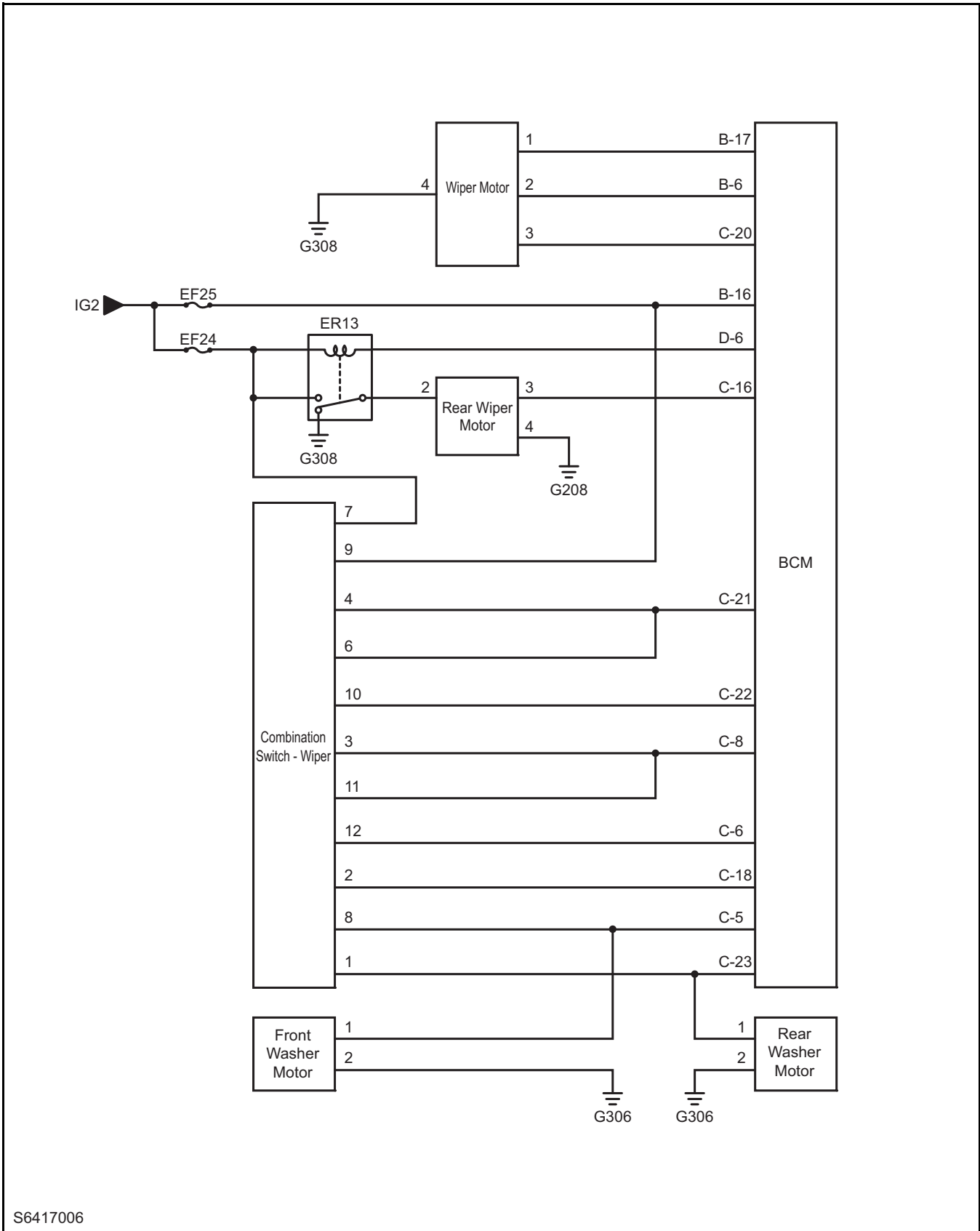


Wiper (for LEV2, LEV3 Models)



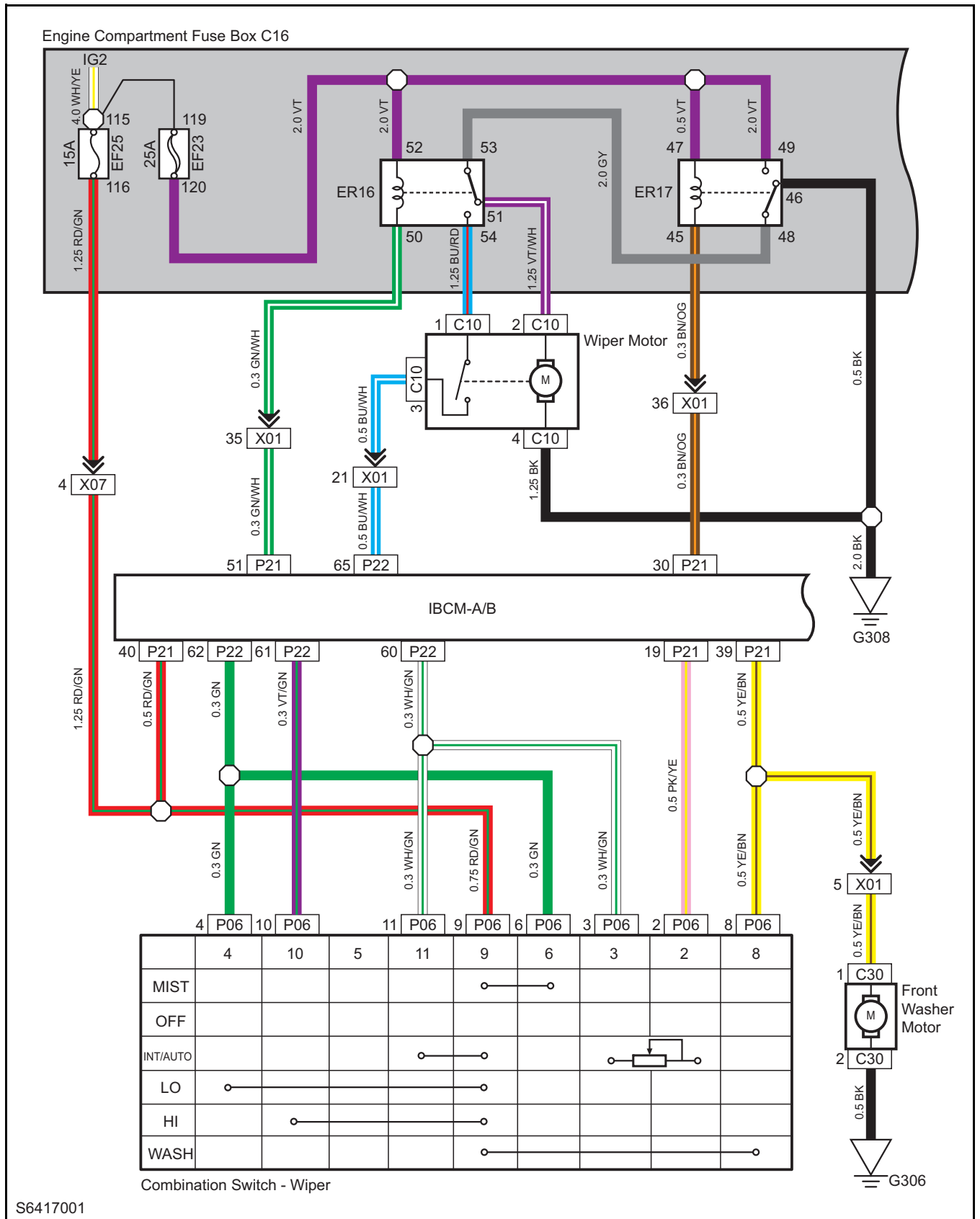
S6417005

Wiper (for MT LEV1 Model)

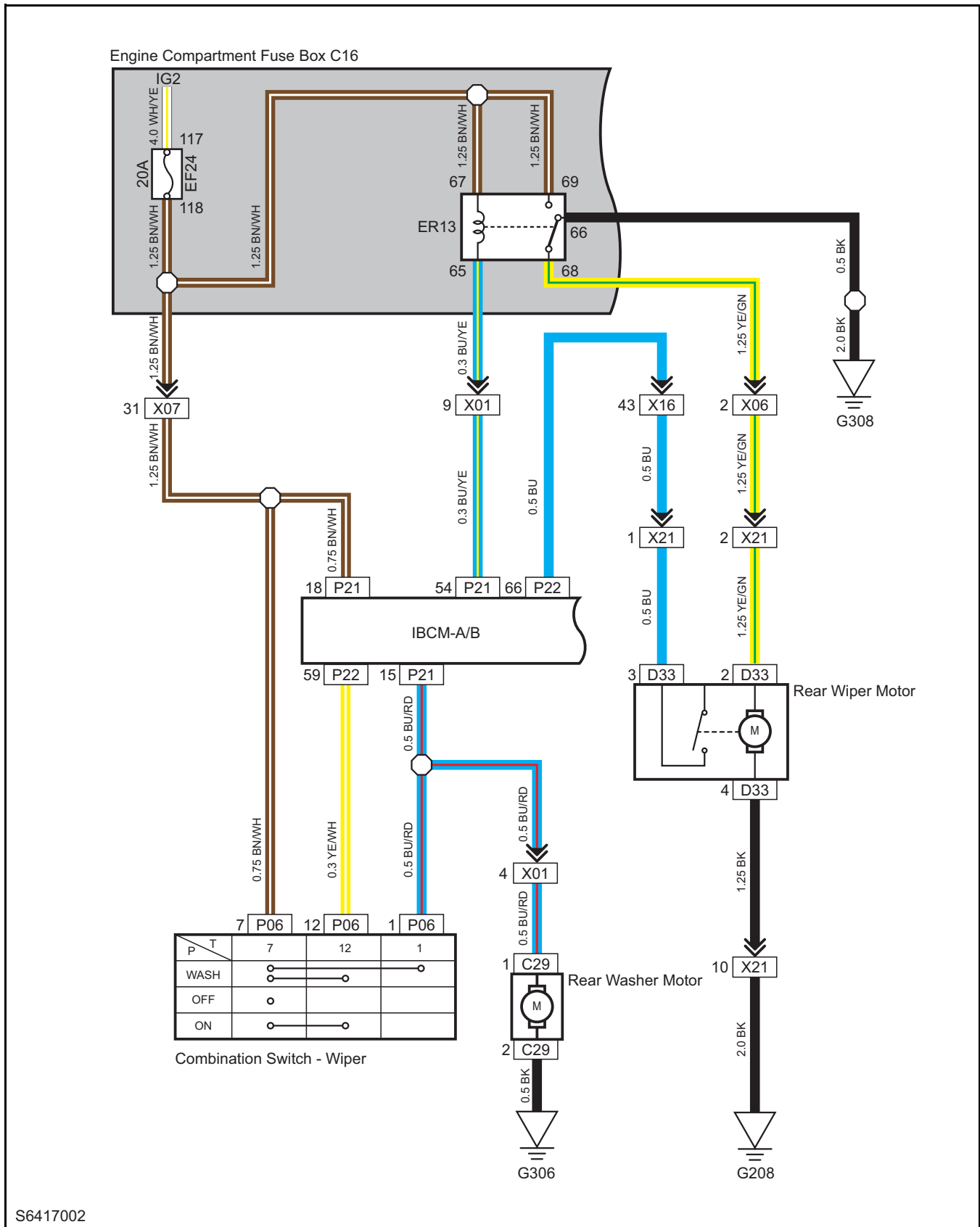


S6417006

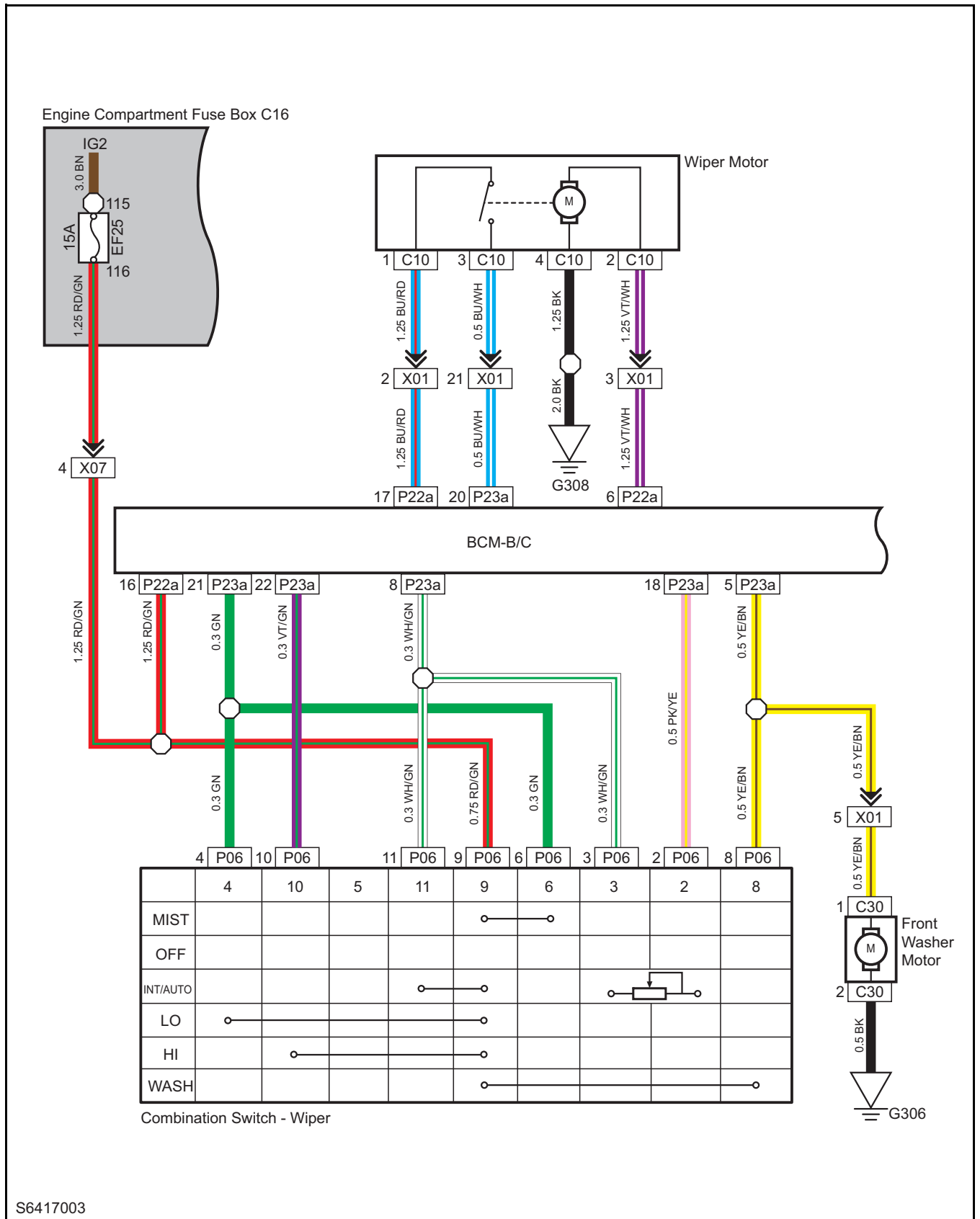
Front Wiper (for LEV2, LEV3 Models)



Rear Wiper (for LEV2, LEV3 Models)

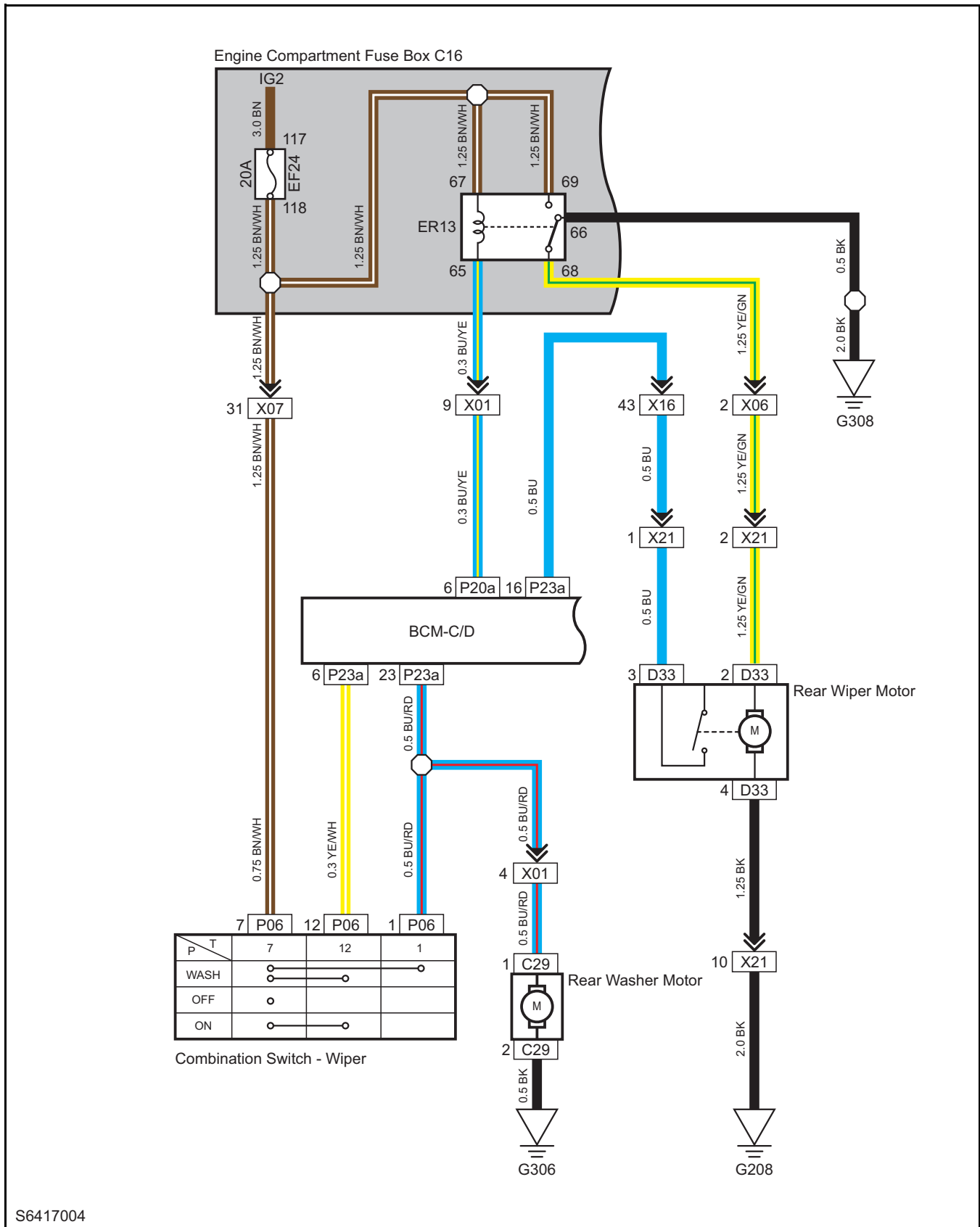


Front Wiper (for MT LEV1 Model)



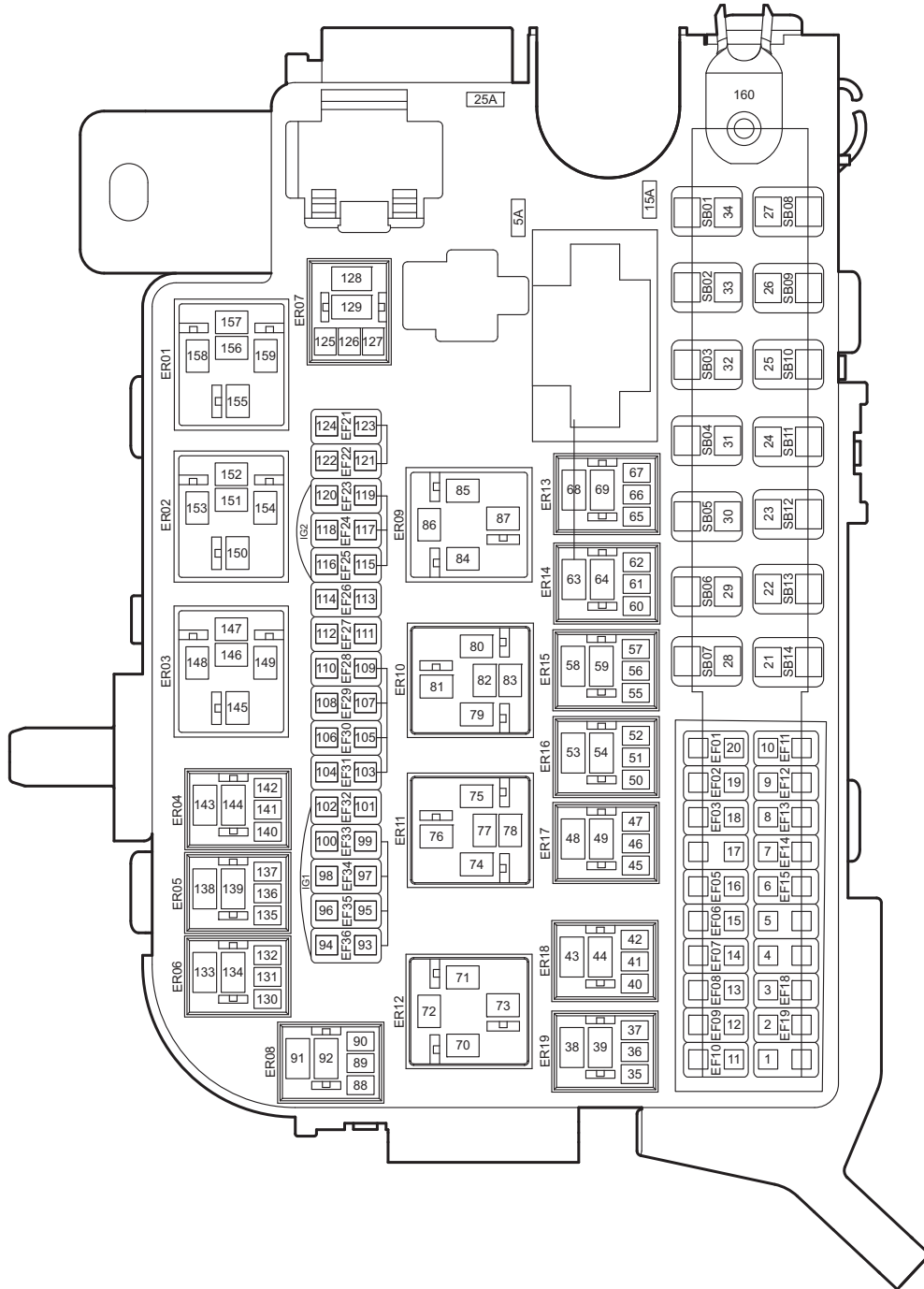
S6417003

Rear Wiper (for MT LEV1 Model)



S6417004

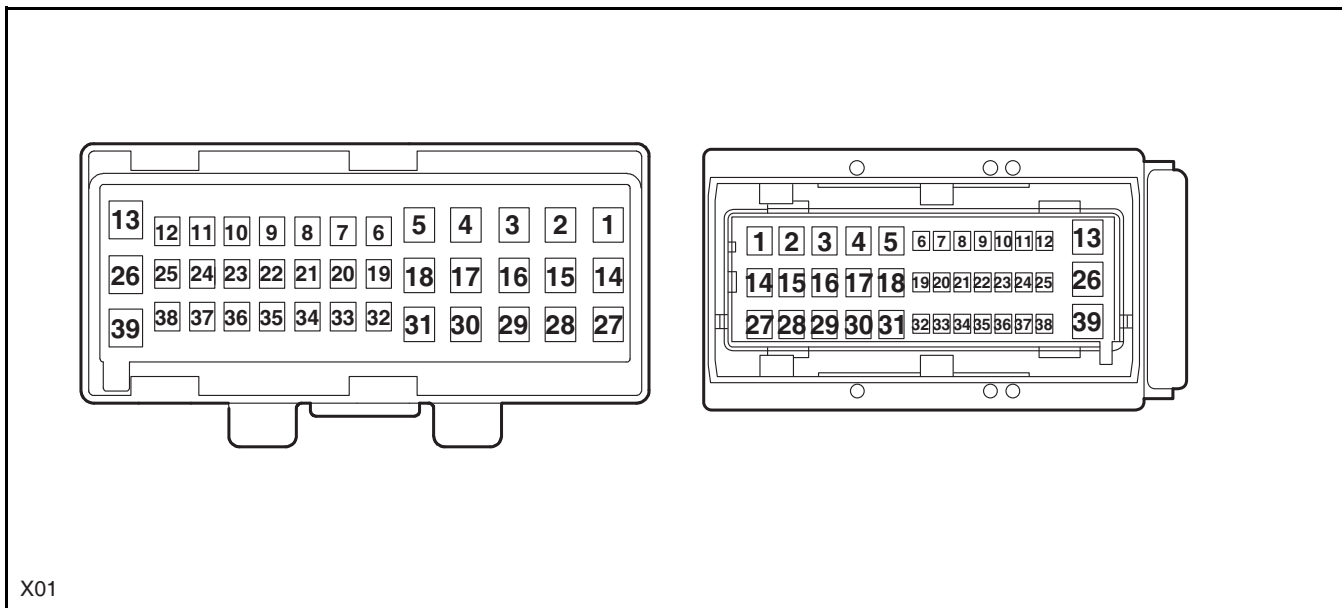
Engine Compartment Fuse Box



C16

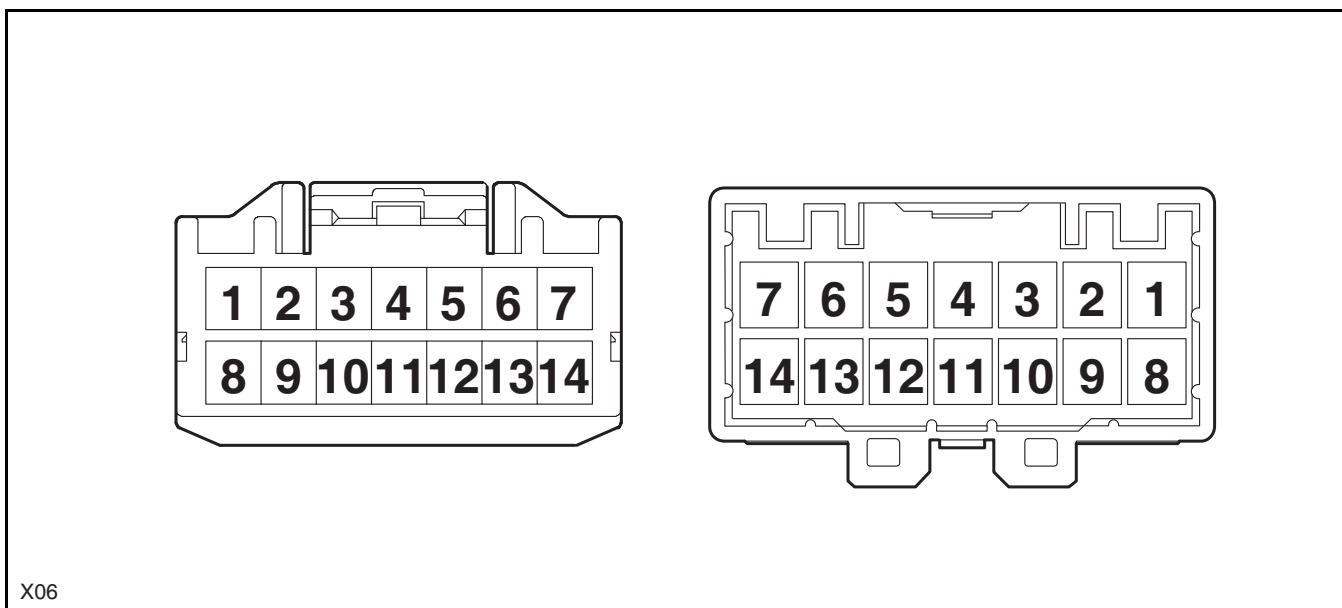
Engine Compartment Wiring Harness to Instrument Panel Wiring Harness E

Instrument Panel Wiring Harness to Engine Compartment Wiring Harness E



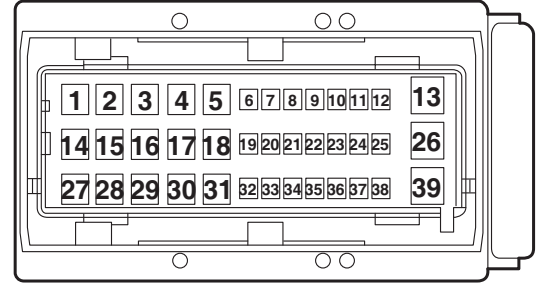
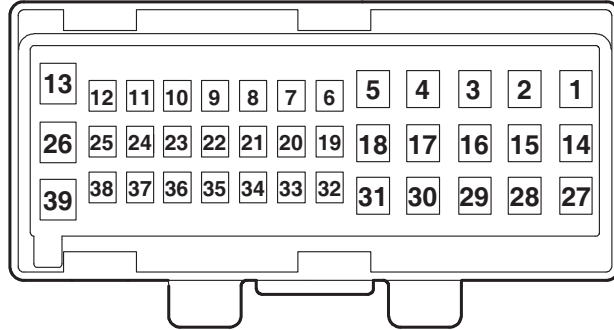
Engine Compartment Wiring Harness to Chassis Wiring Harness A

Chassis Wiring Harness to Engine Compartment Wiring Harness A



Engine Compartment Wiring Harness to Instrument Panel Wiring Harness A

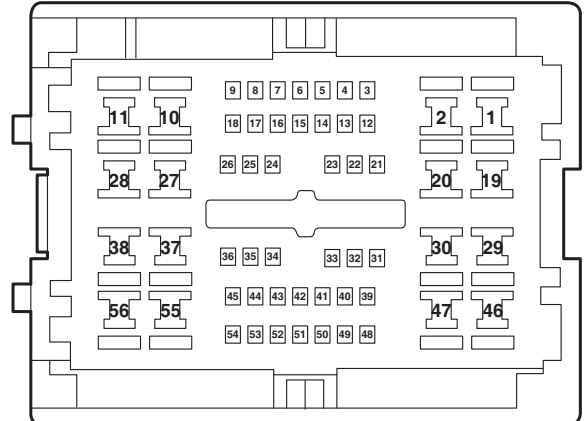
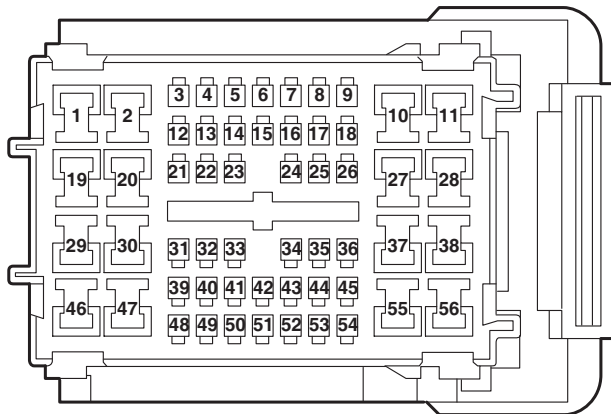
Instrument Panel Wiring Harness to Engine Compartment Wiring Harness A



X07

Instrument Panel Wiring Harness to Chassis Wiring Harness C

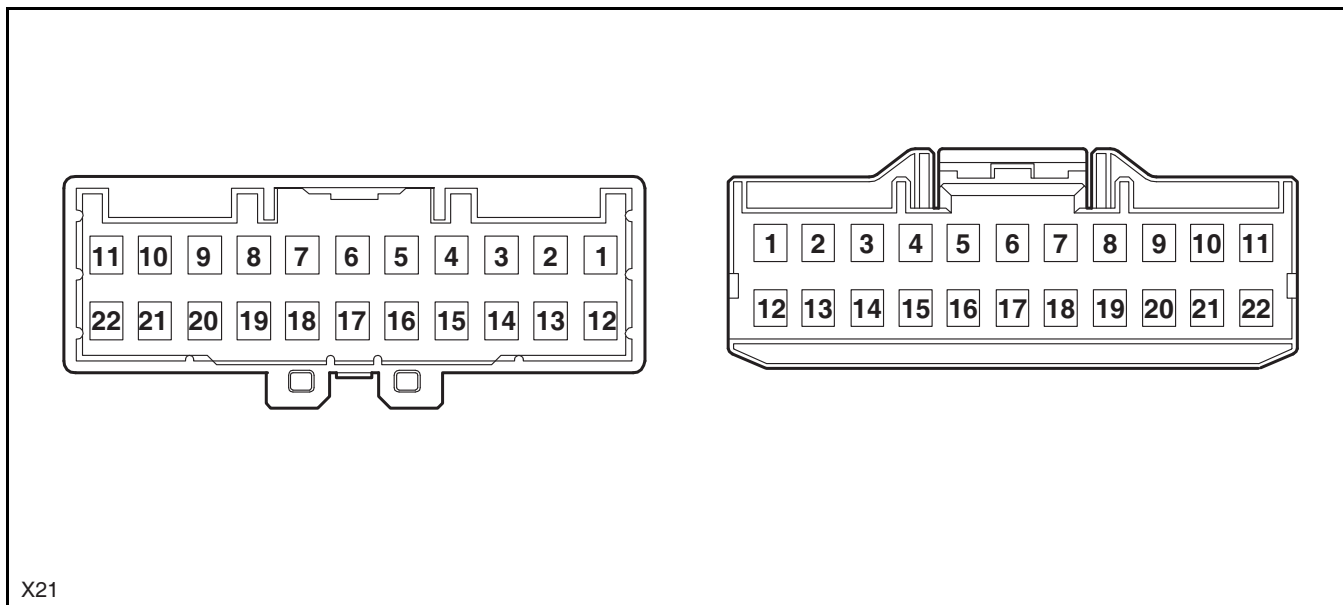
Chassis Wiring Harness to Instrument Panel Wiring Harness C



X16

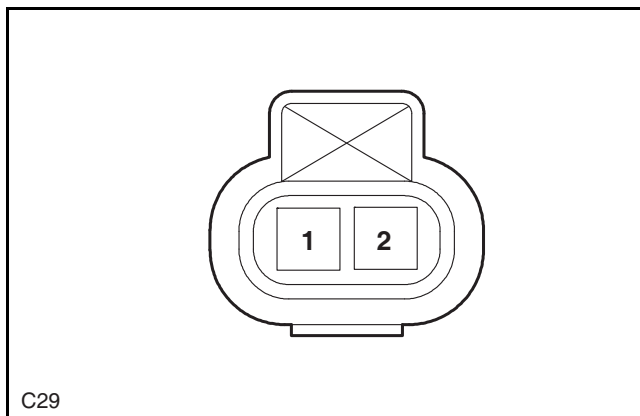
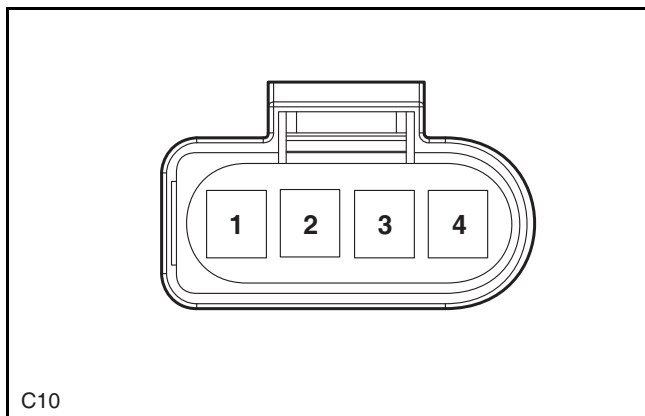
Chassis Wiring Harness to Back Door Wiring Harness

Back Door Wiring Harness to Chassis Wiring Harness



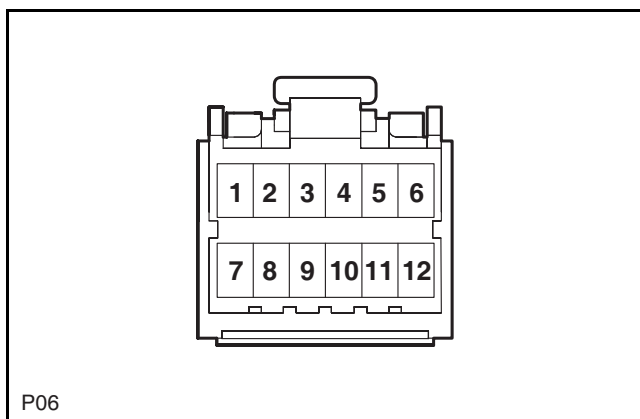
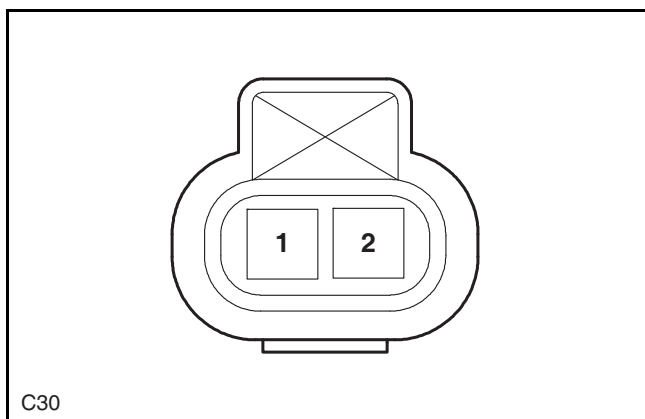
Wiper Motor

Rear Washer Motor

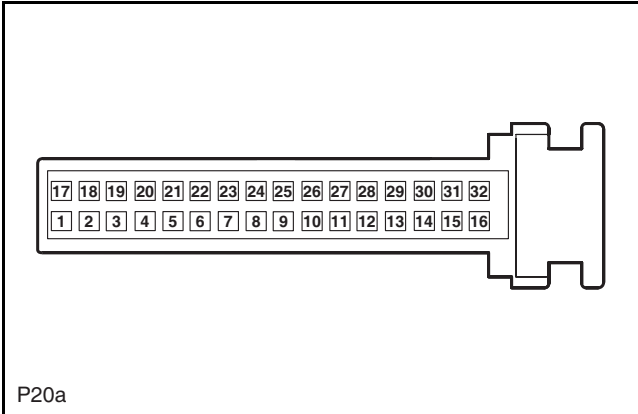


Front Washer Motor

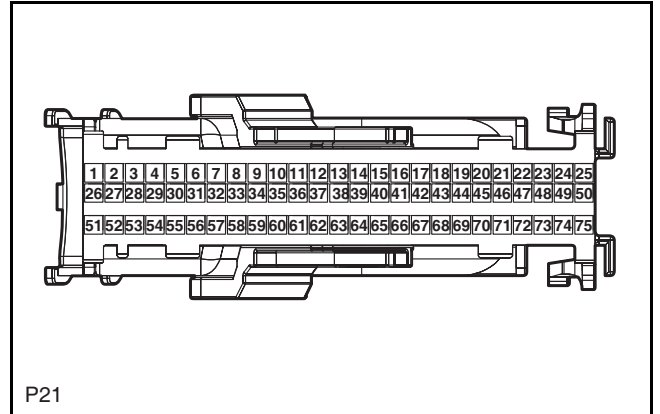
Combination Switch - Wiper



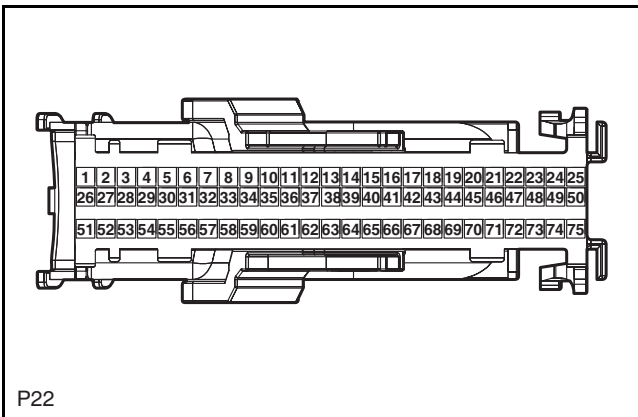
BCM-D



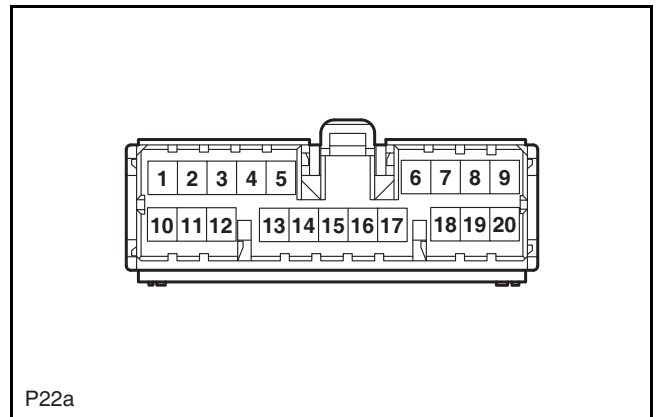
IBCM-A



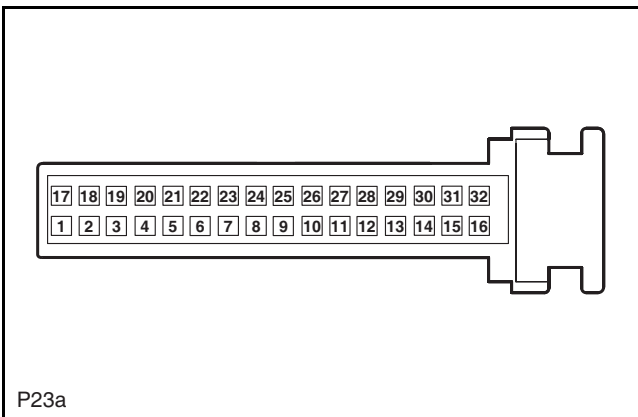
IBCM-B



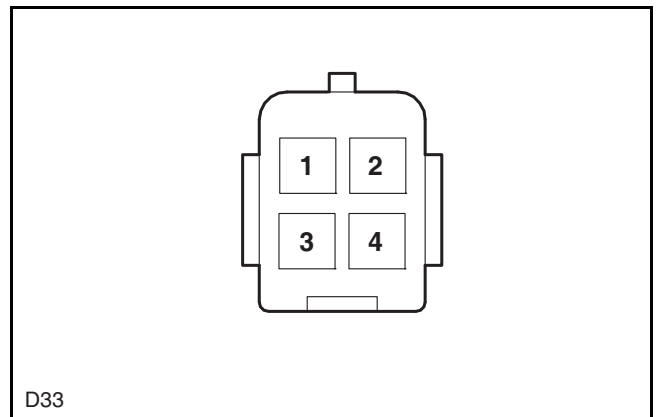
BCM-B



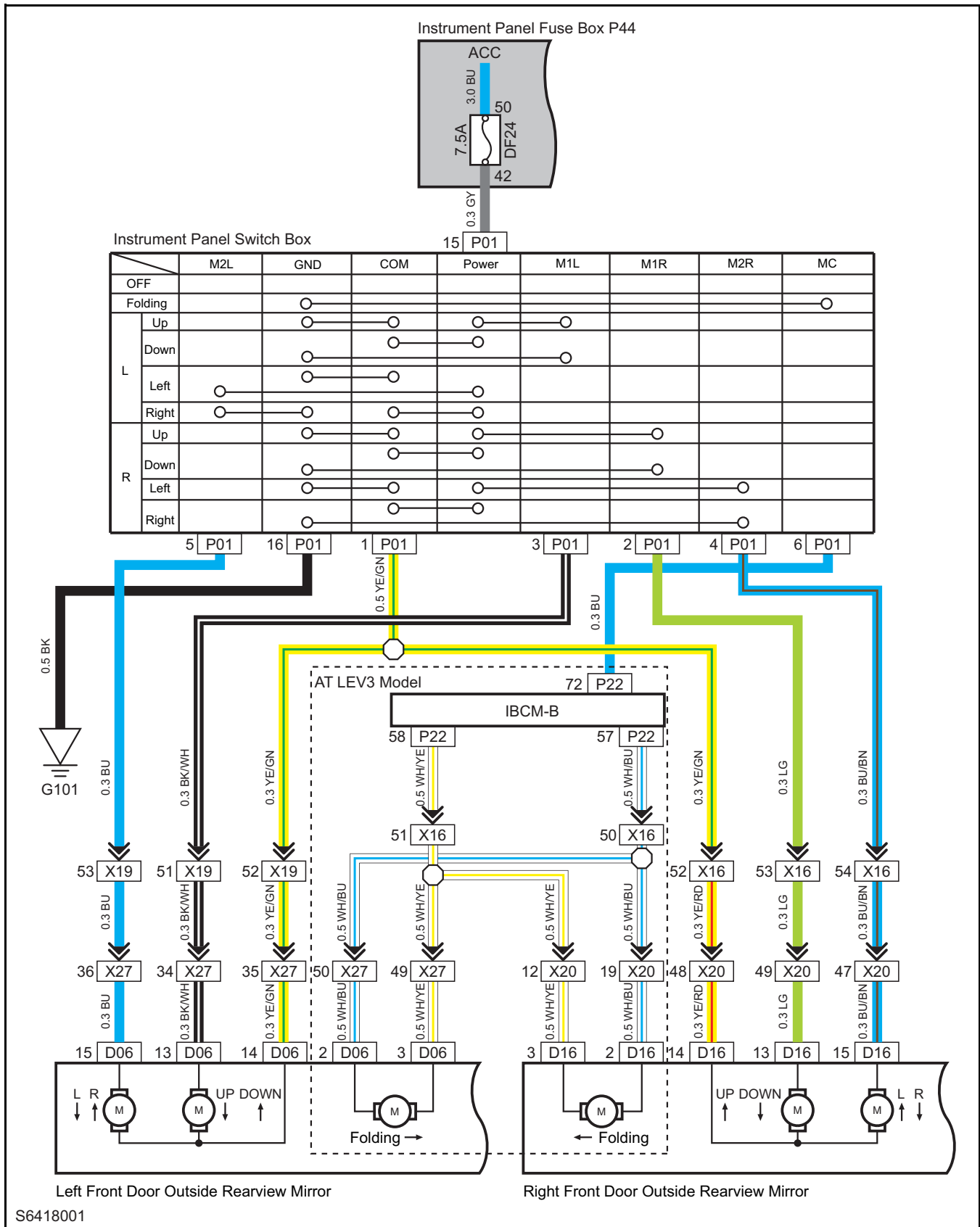
BCM-C



Rear Wiper Motor

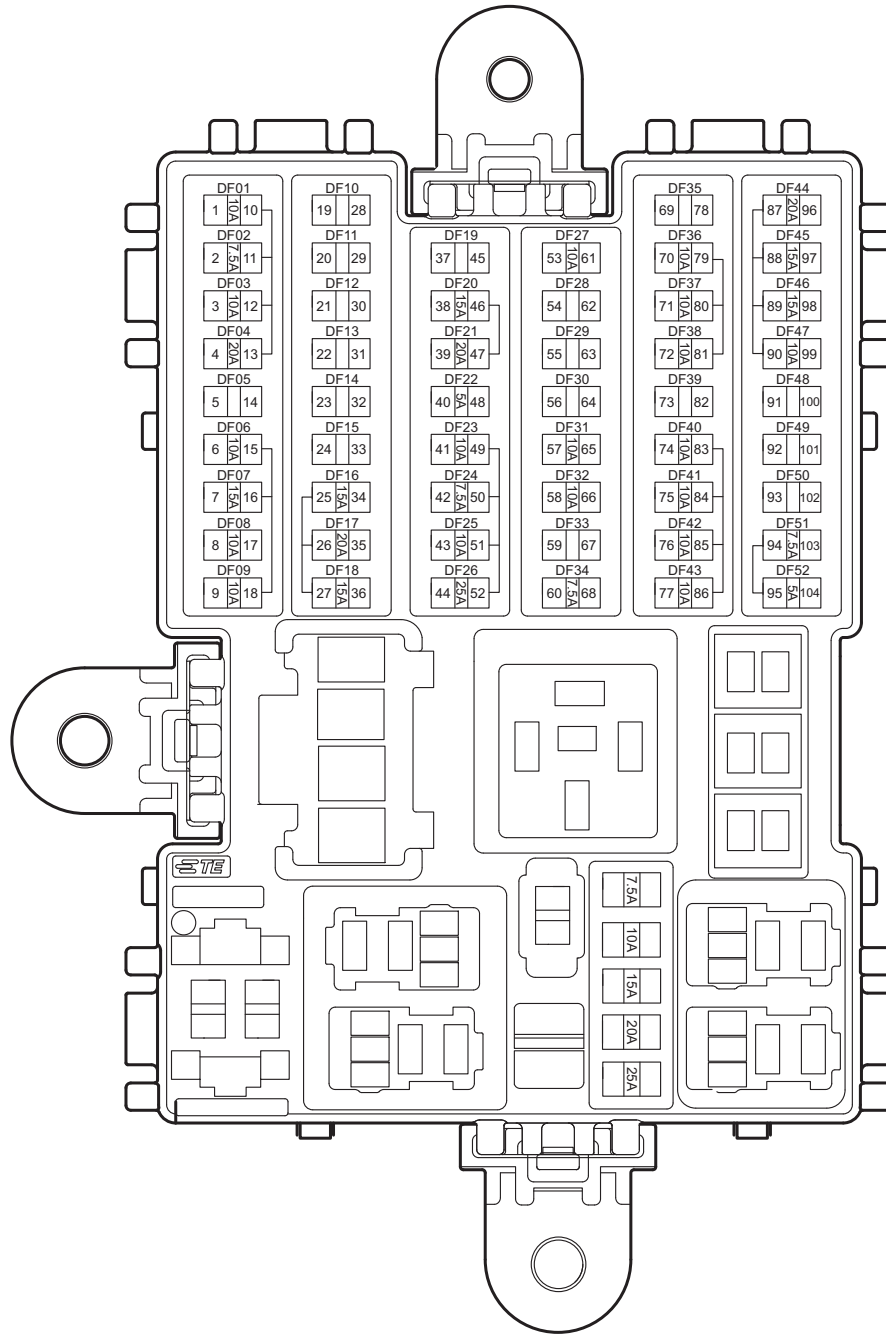


Power Rearview Mirror



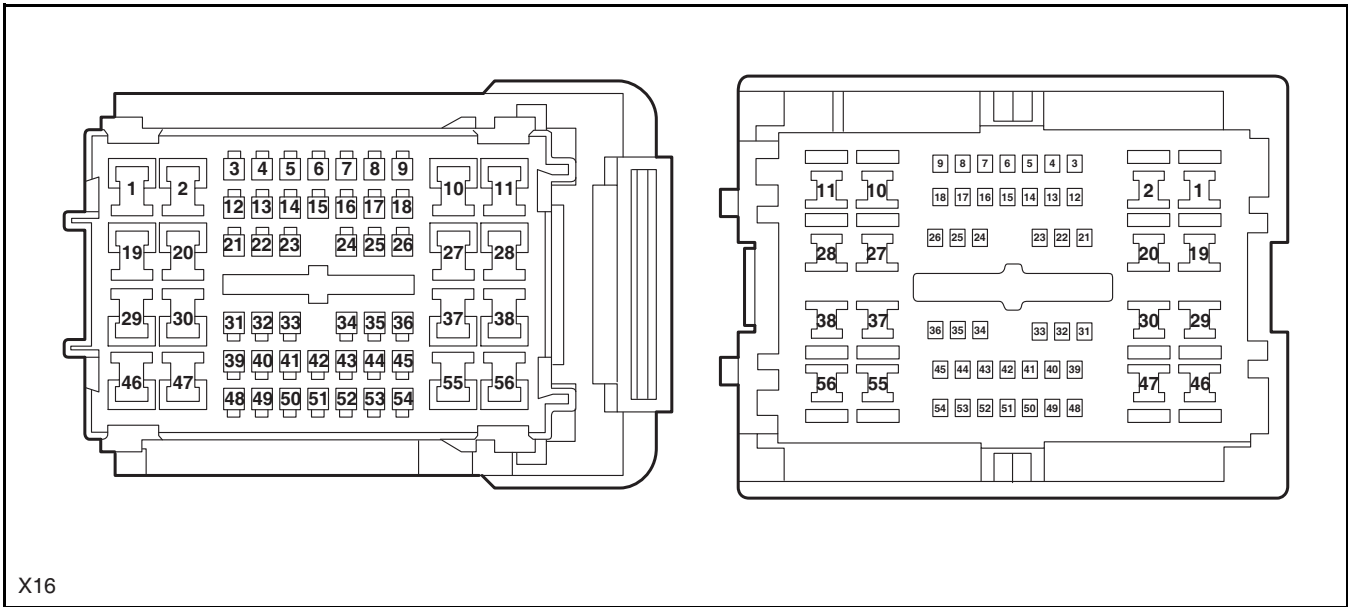
S6418001

Instrument Panel Fuse Box



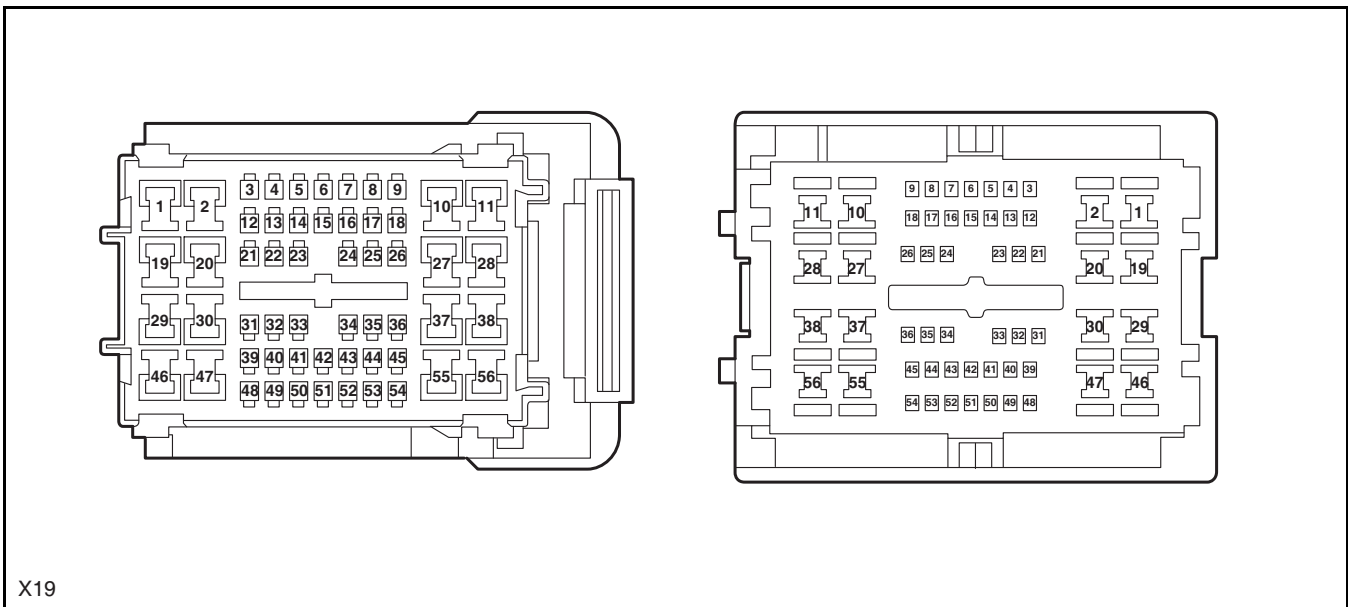
Instrument Panel Wiring Harness to Chassis Wiring Harness C

Chassis Wiring Harness to Instrument Panel Wiring Harness C



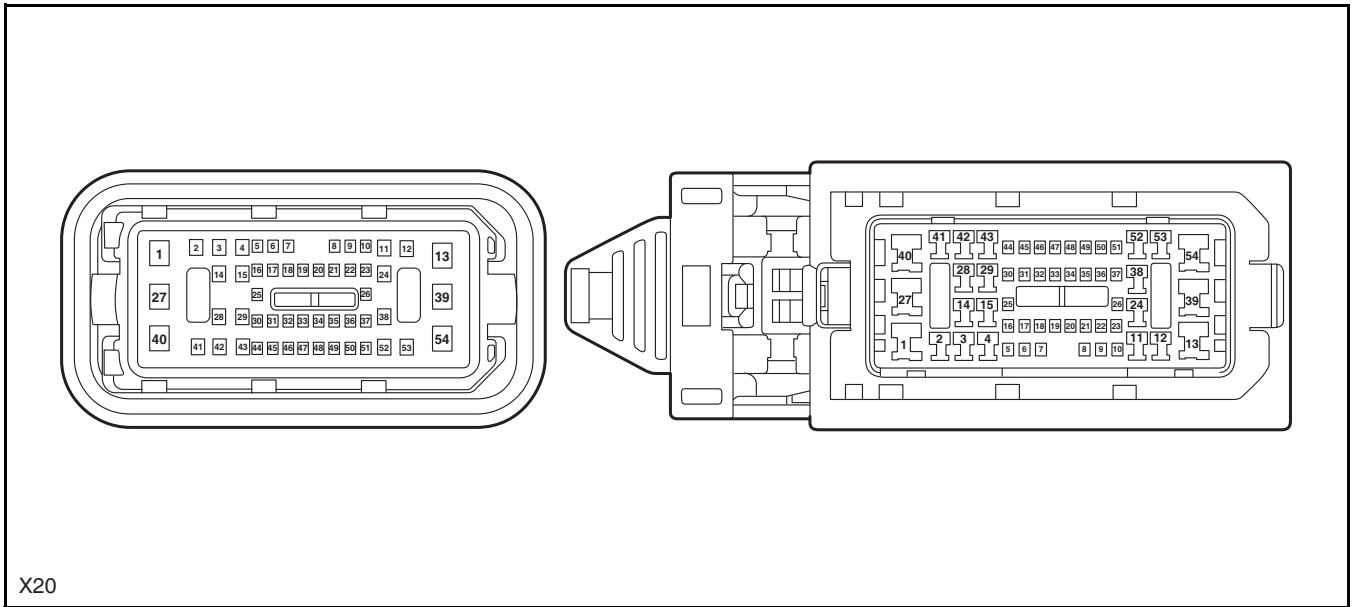
Instrument Panel Wiring Harness to Chassis Wiring Harness A

Chassis Wiring Harness to Instrument Panel Wiring Harness A



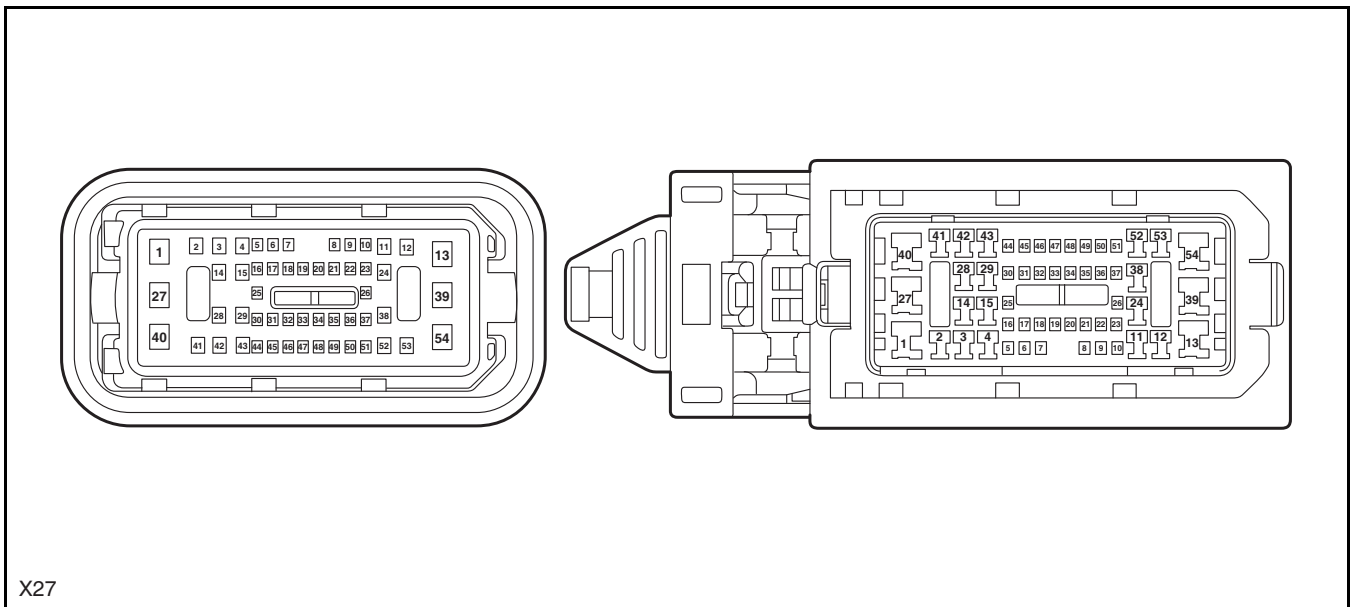
Chassis Wiring Harness to Right Front Door Wiring Harness

Right Front Door Wiring Harness to Chassis Wiring Harness



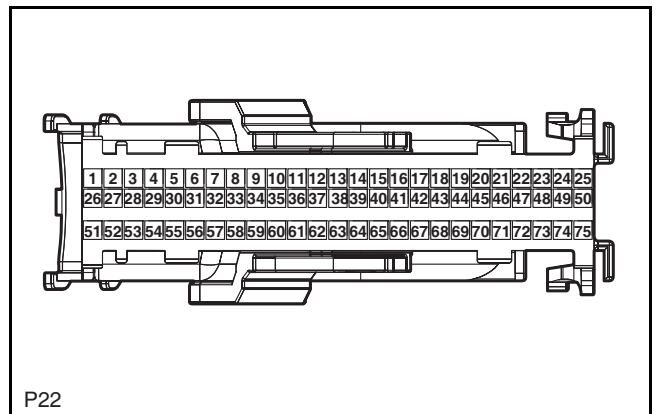
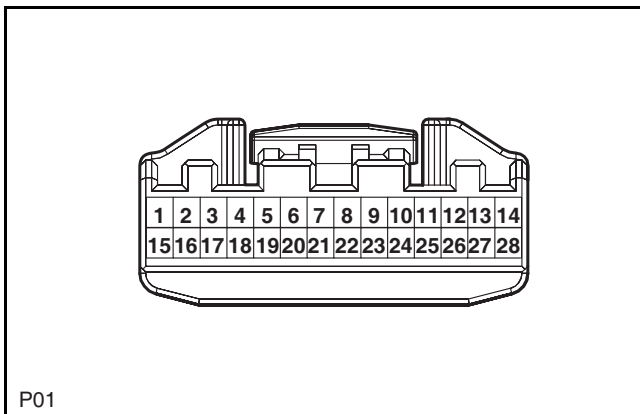
Chassis Wiring Harness to Left Front Door Wiring Harness

Left Front Door Wiring Harness to Chassis Wiring Harness



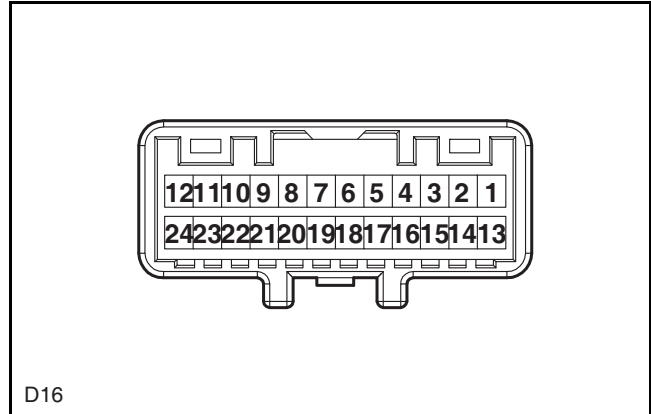
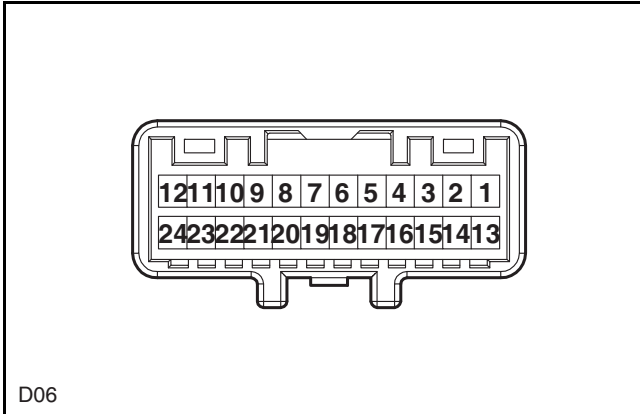
Instrument Panel Switch Box

IBCM-B

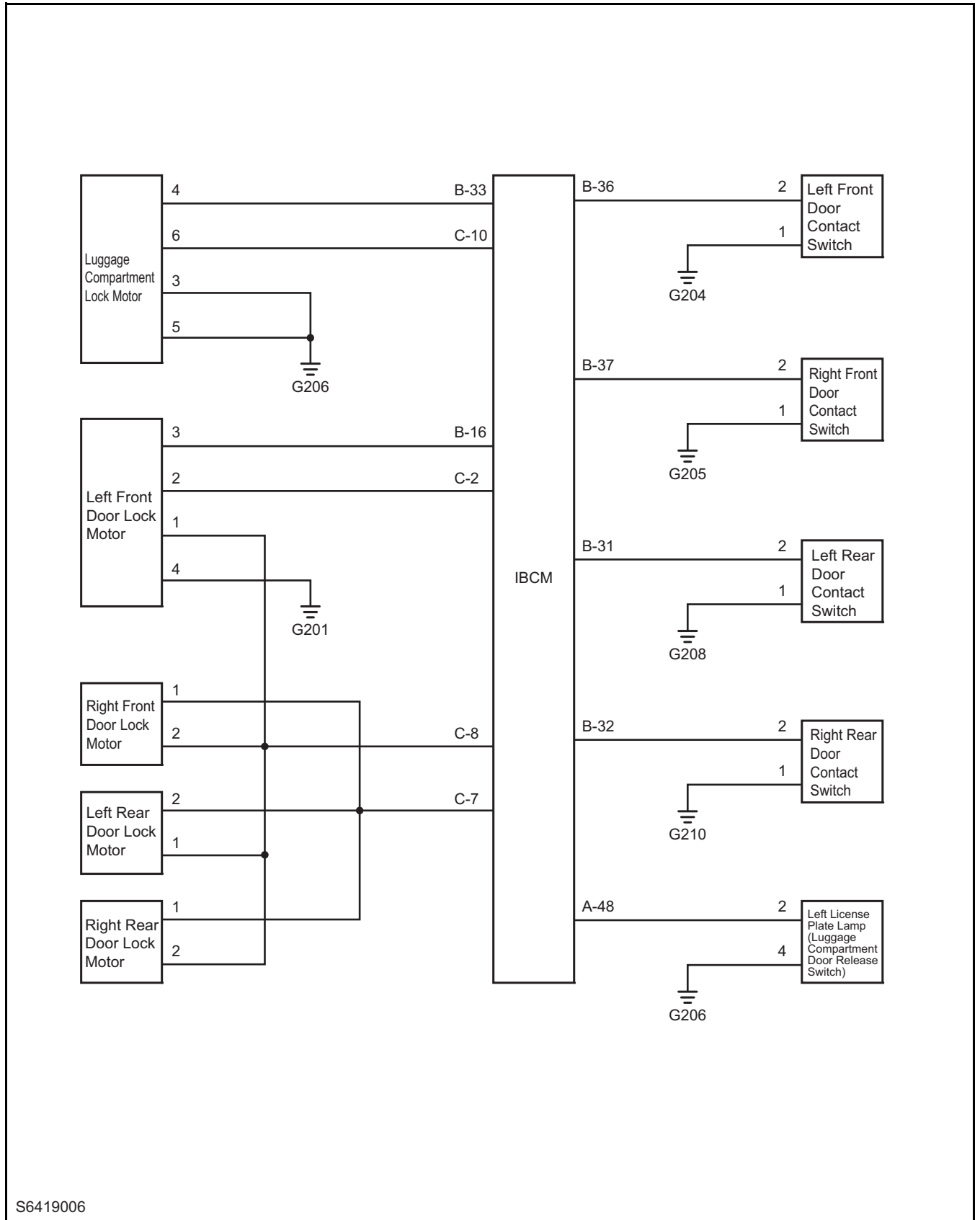


Left Front Door Outside Rearview Mirror

Right Front Door Outside Rearview Mirror

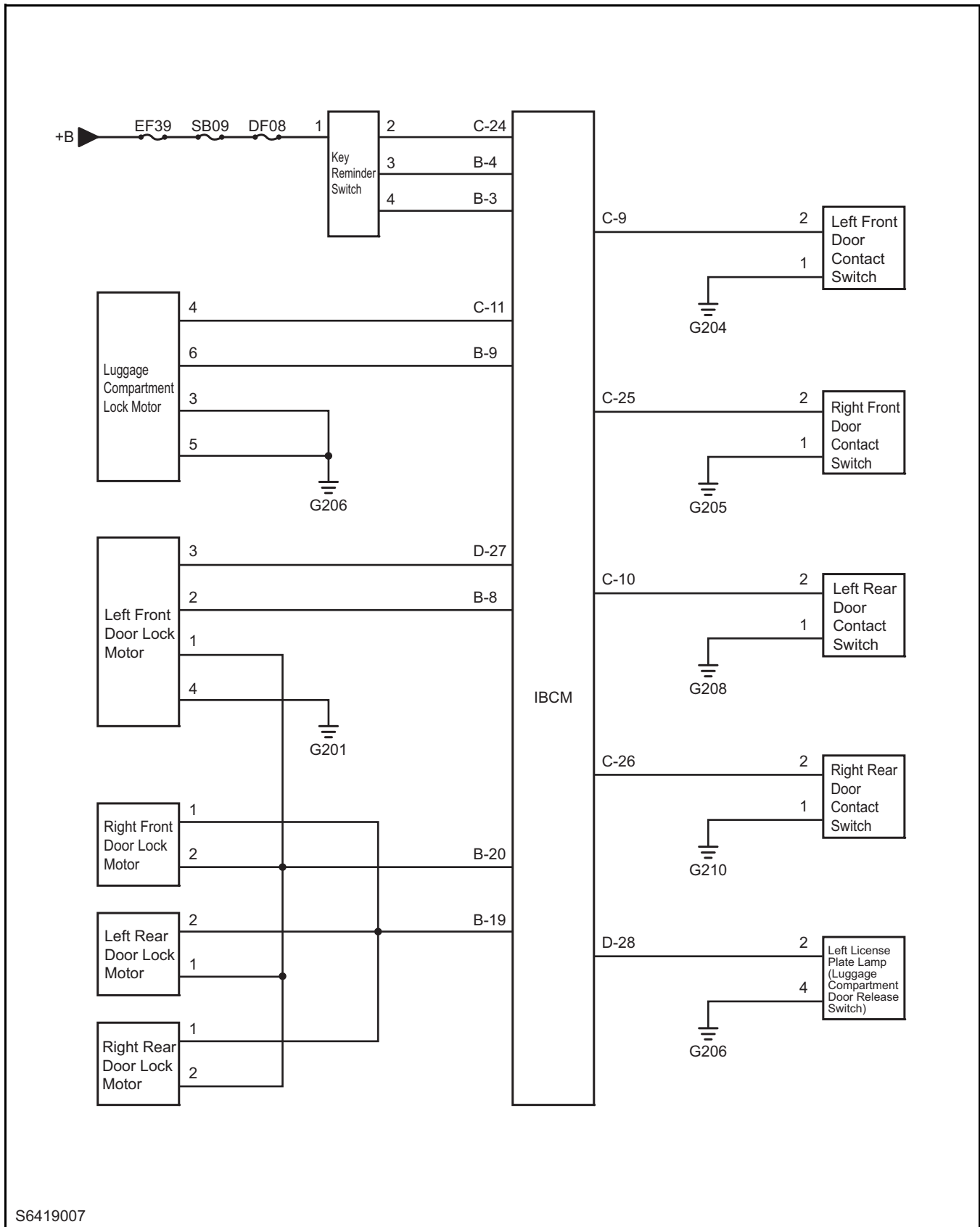


Central Door Lock and Body Theft Deterrent System (for LEV2, LEV3 Models)



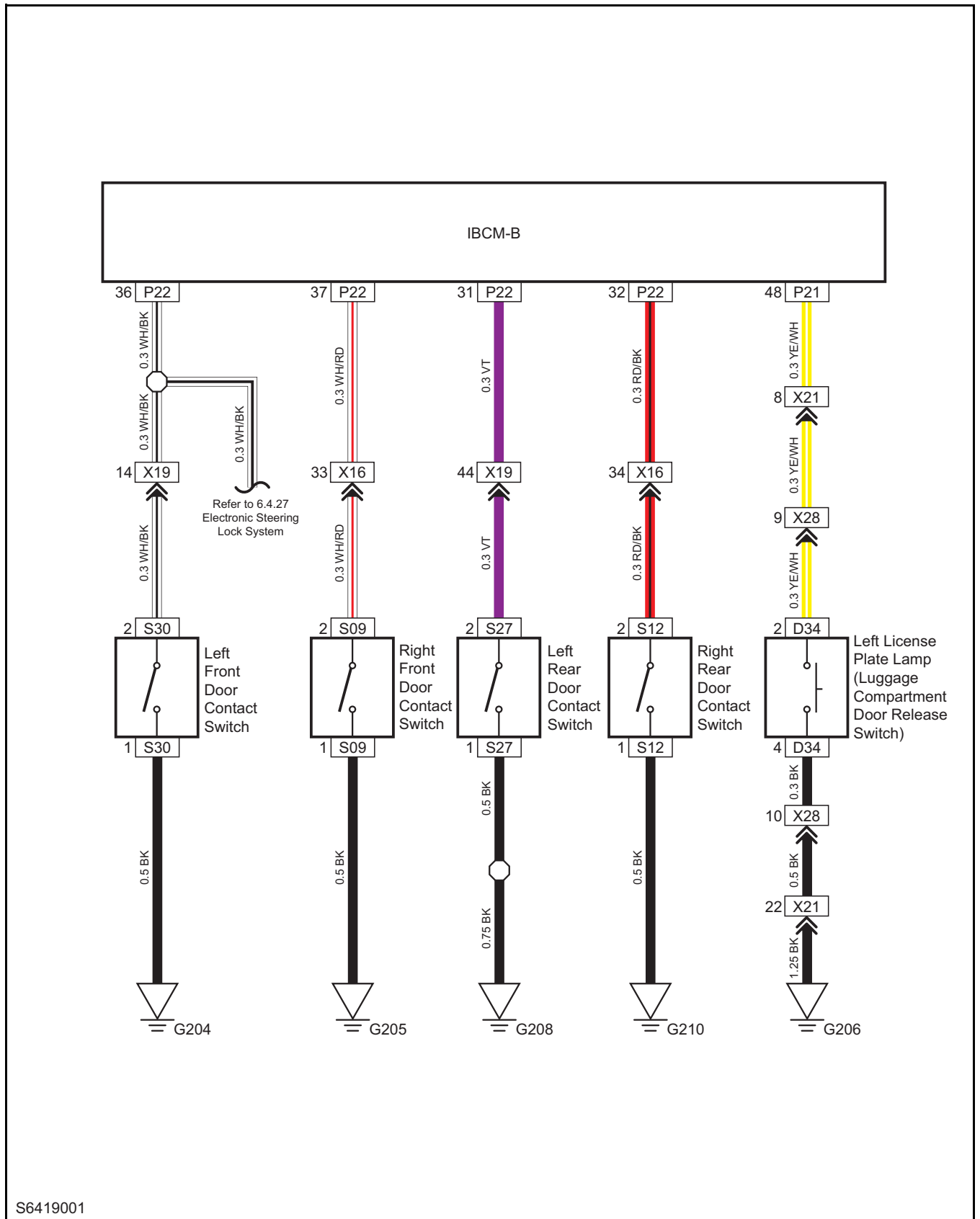
S6419006

Central Door Lock and Body Theft Deterrent System (for MT LEV1 Model)



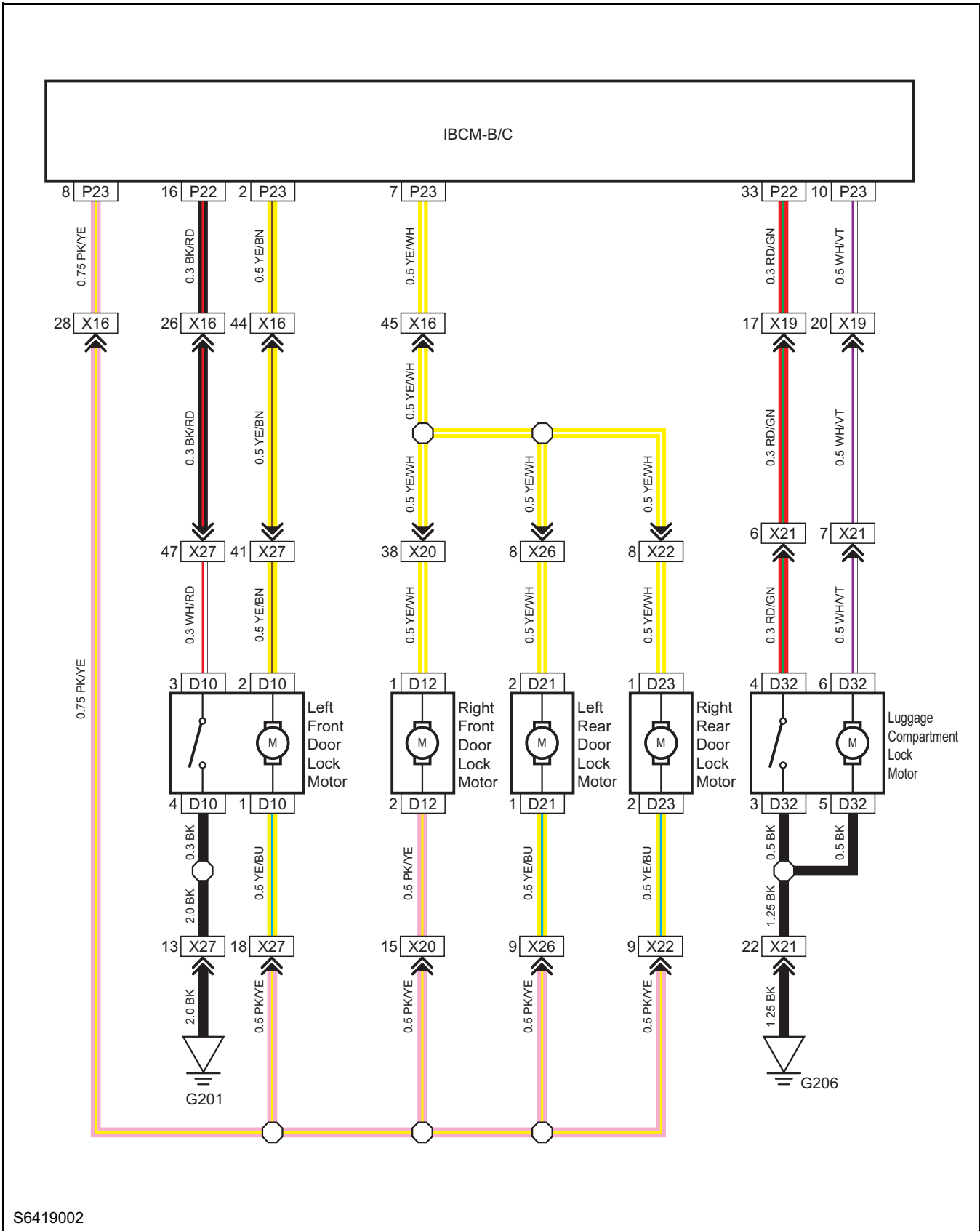
S6419007

Switch Signal (for LEV2, LEV3 Models)



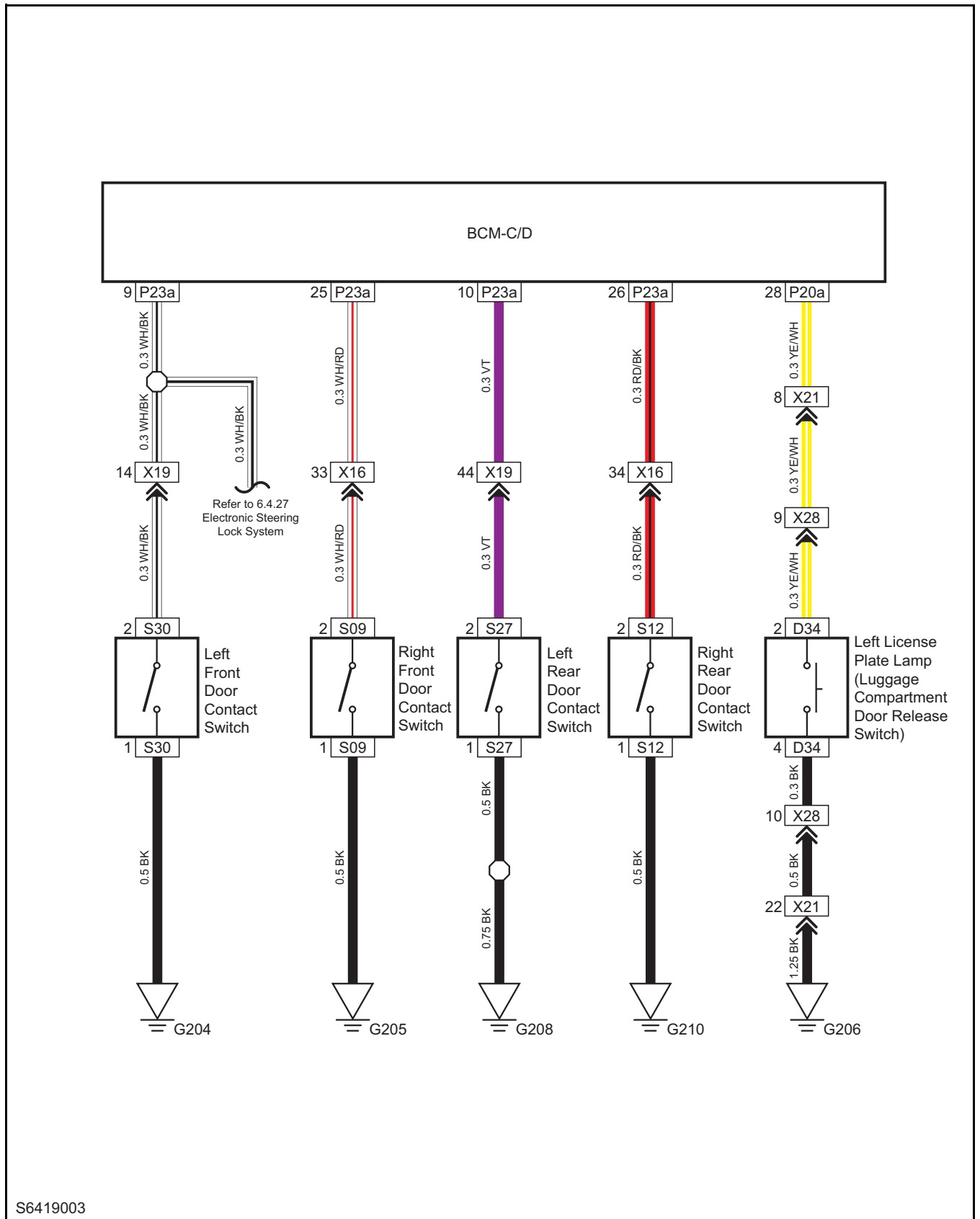
S6419001

Actuator (for LEV2, LEV3 Models)

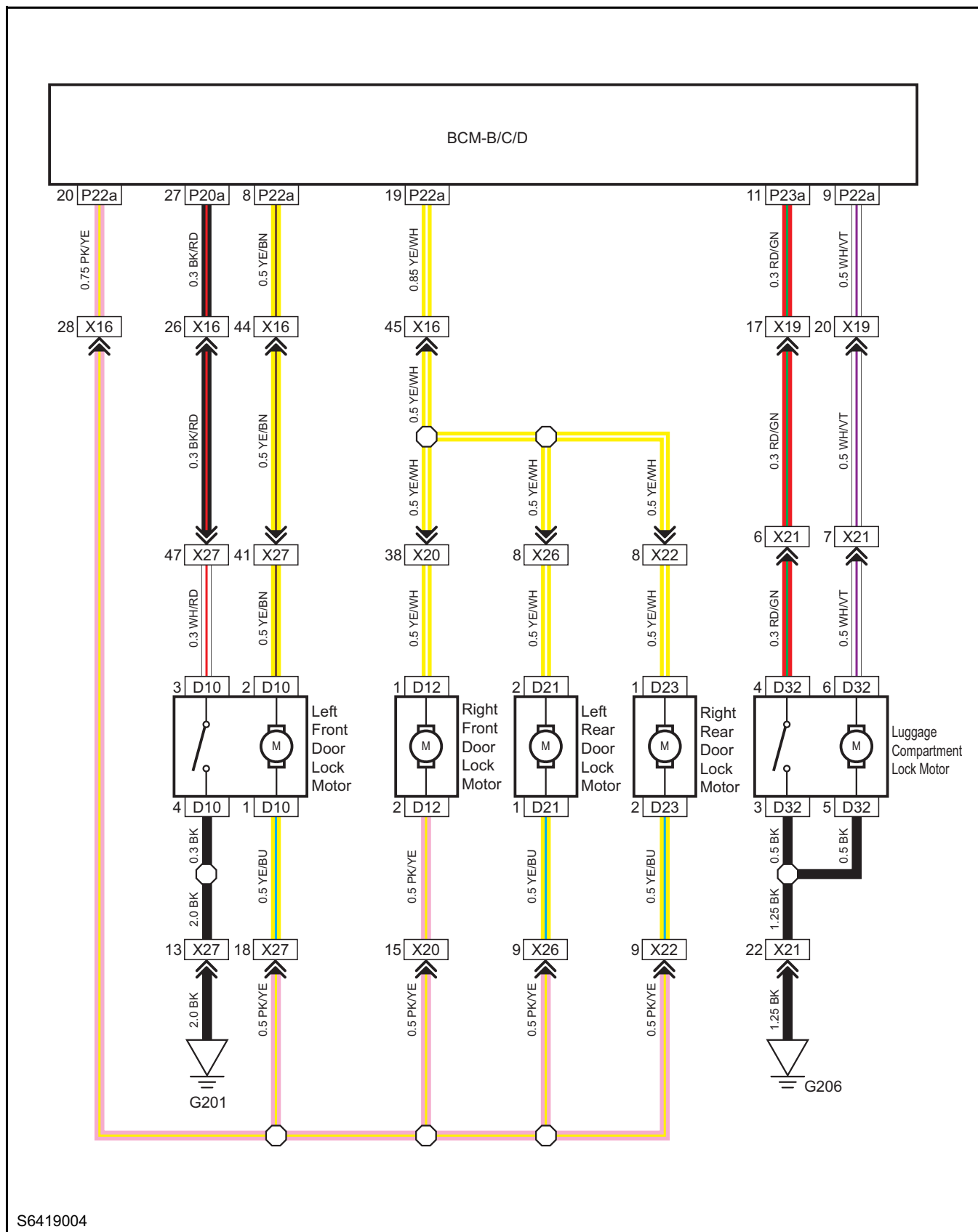


S6419002

Switch Signal (for MT LEV1 Model)

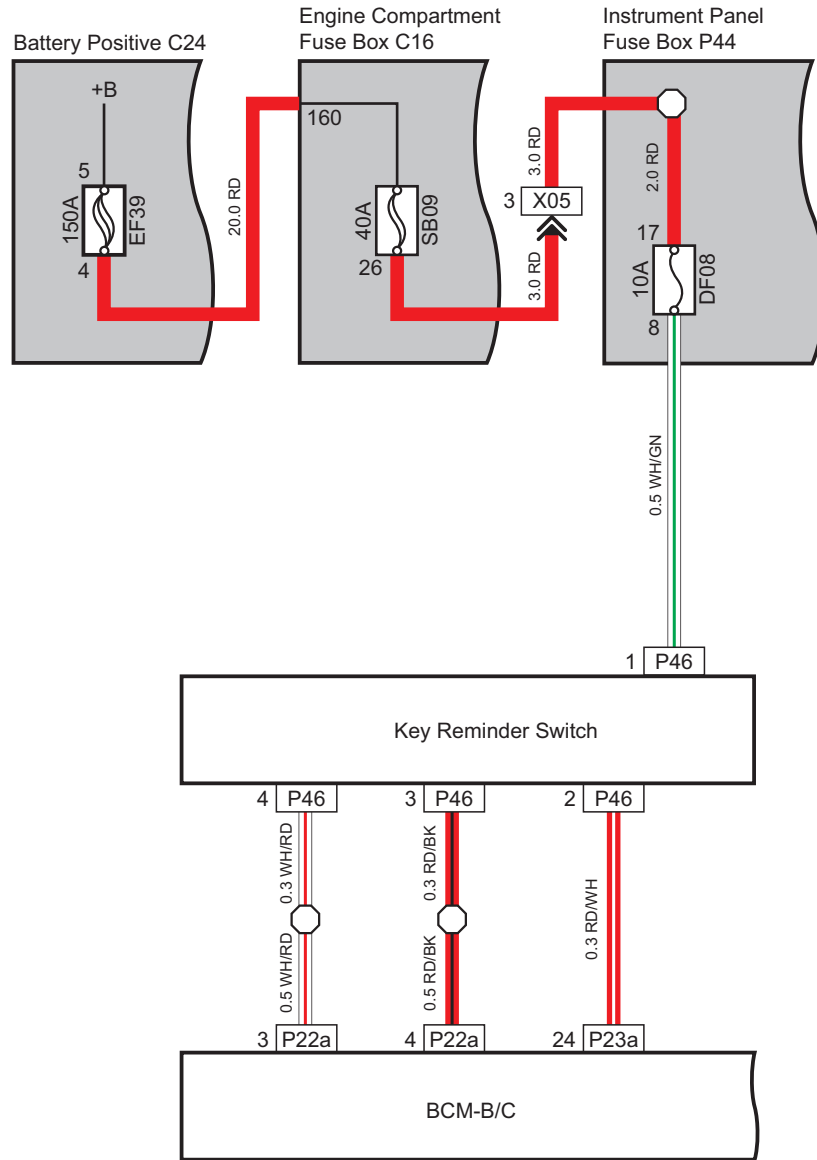


Actuator (for MT LEV1 Model)



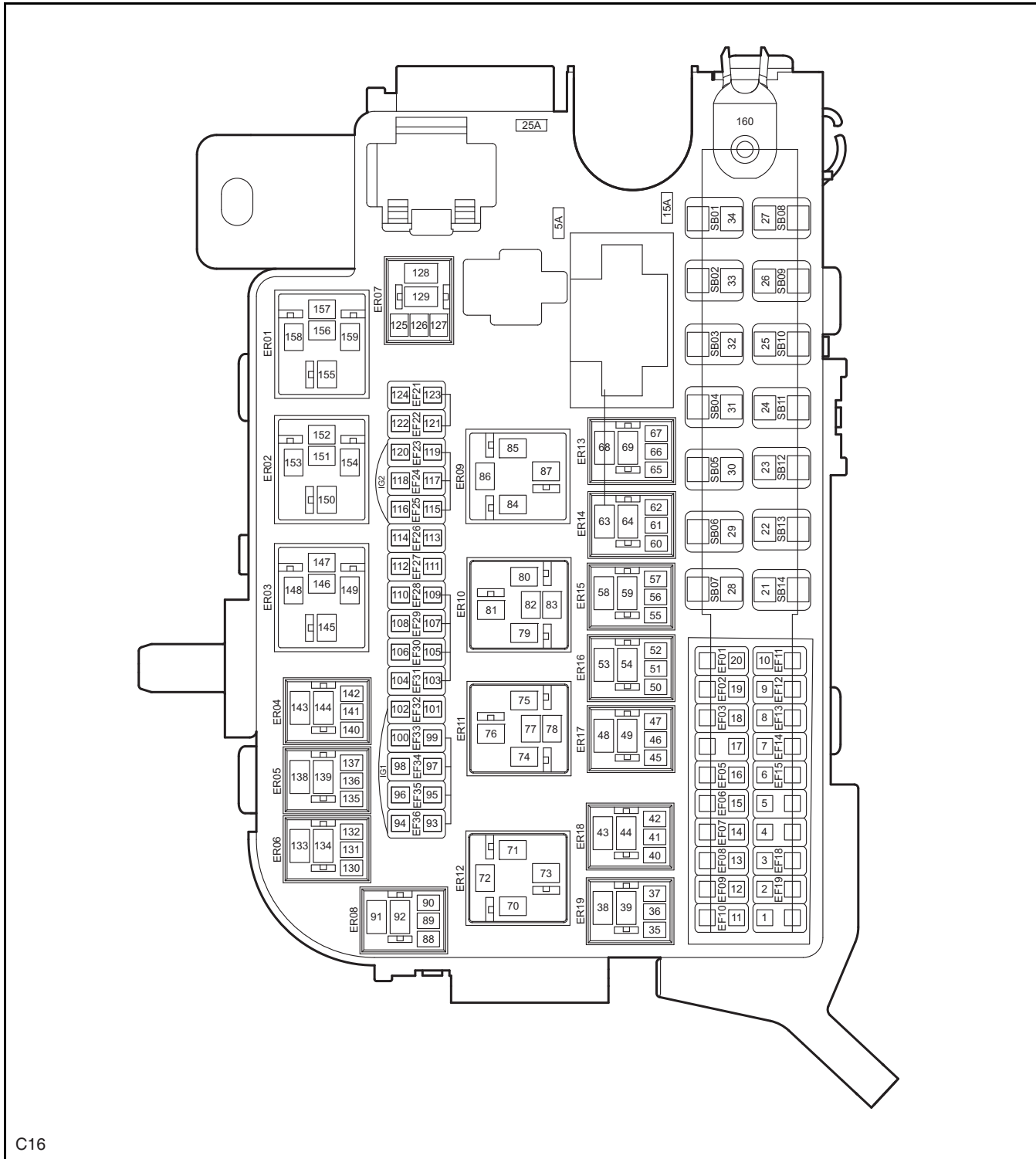
S6419004

Key Reminder Switch (for MT LEV1 Model)



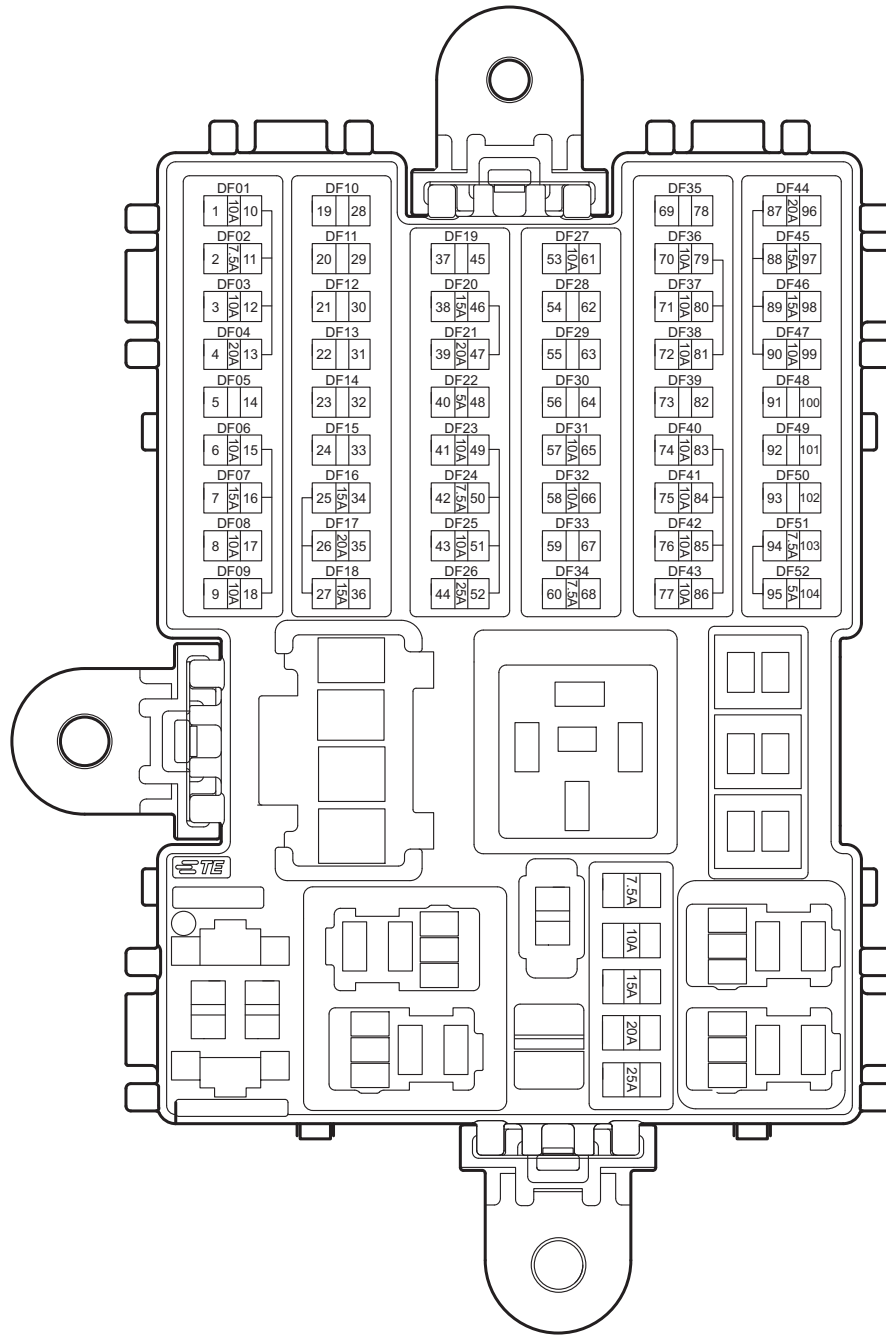
S6419005

Engine Compartment Fuse Box



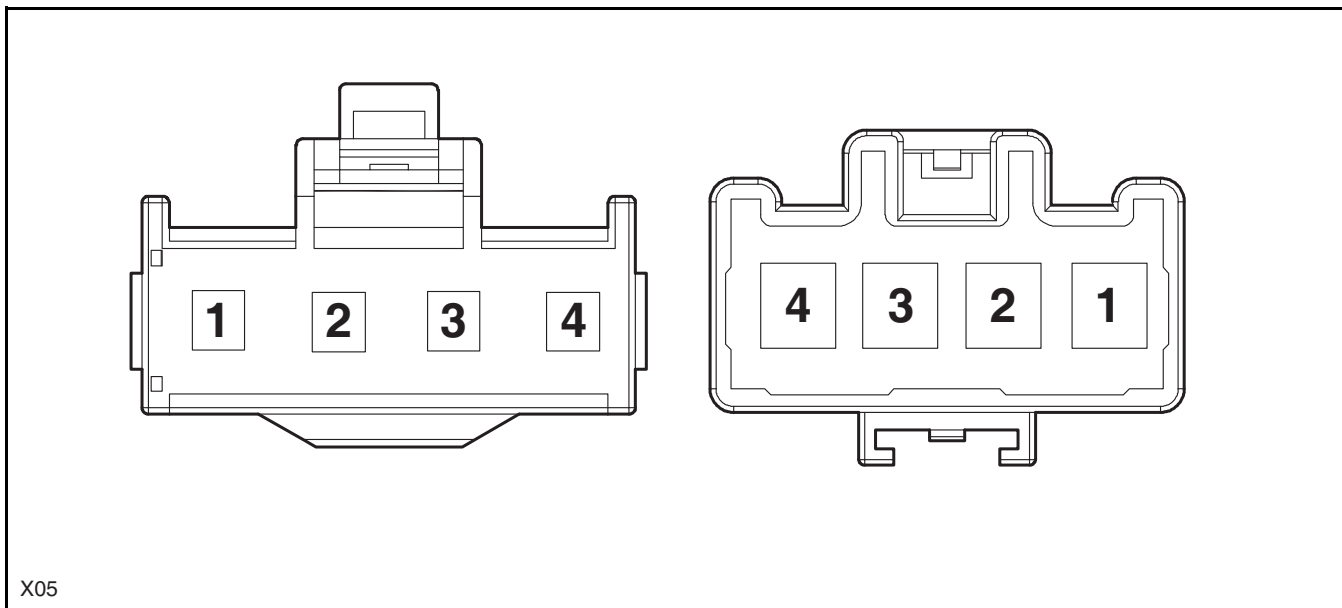
C16

Instrument Panel Fuse Box



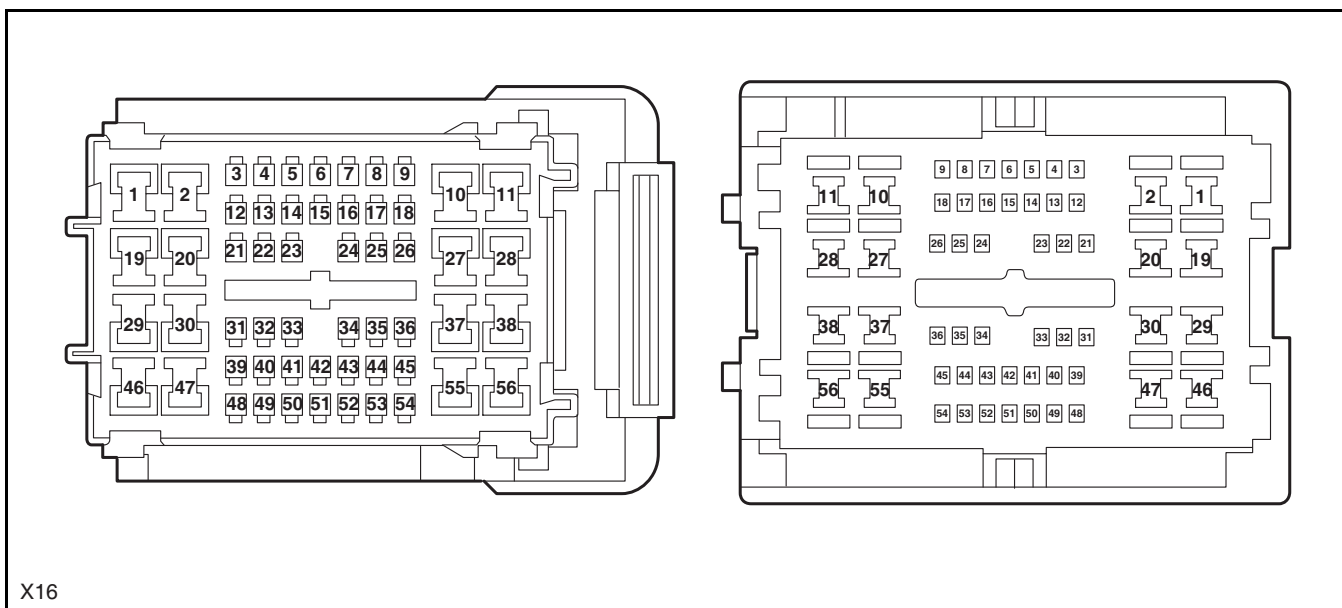
Engine Compartment Wiring Harness to Instrument Panel Wiring Harness C

Instrument Panel Wiring Harness to Engine Compartment Wiring Harness C



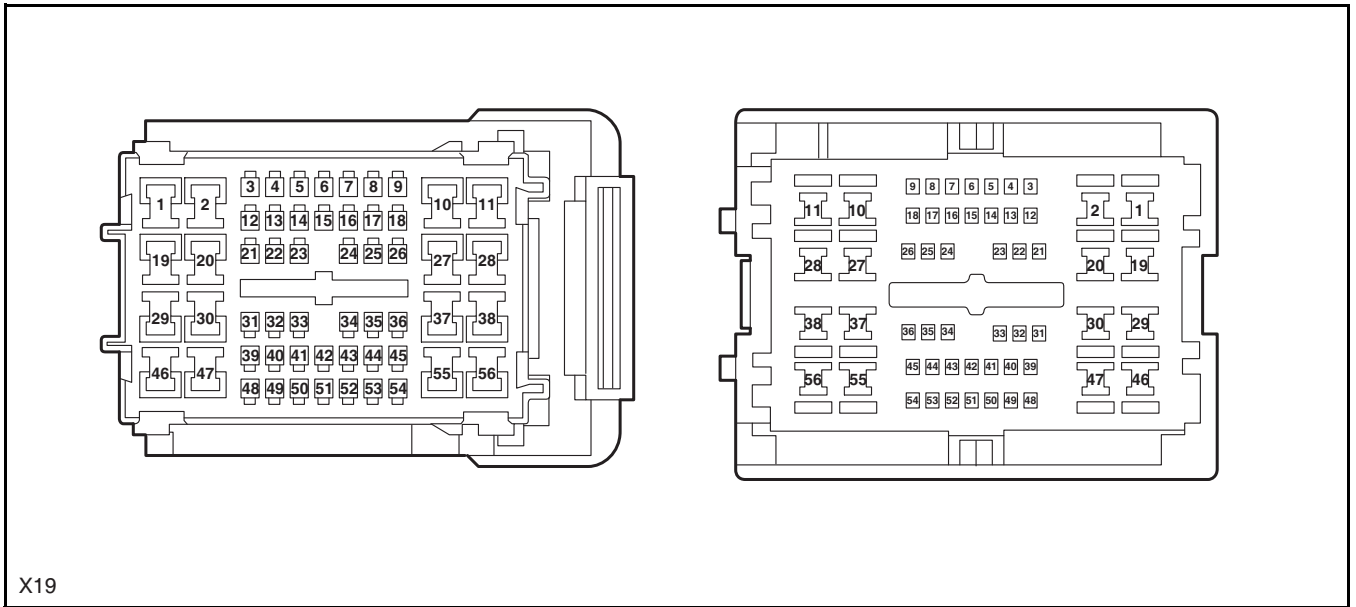
Instrument Panel Wiring Harness to Chassis Wiring Harness C

Chassis Wiring Harness to Instrument Panel Wiring Harness C



Instrument Panel Wiring Harness to Chassis Wiring Harness A

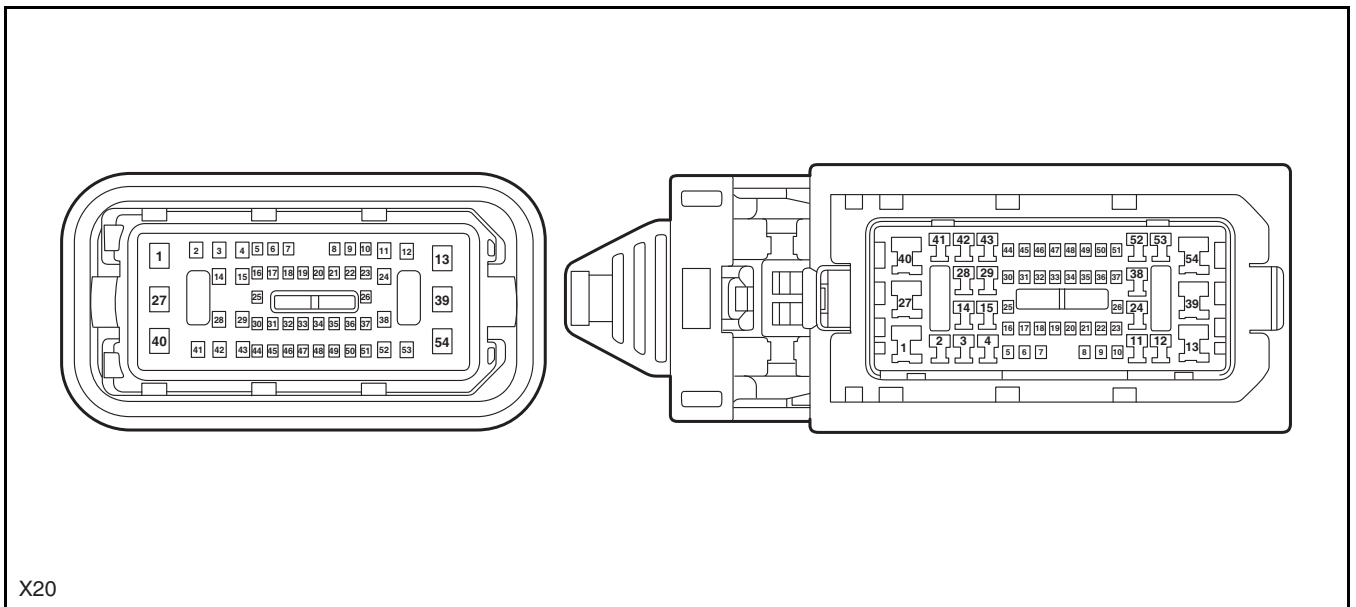
Chassis Wiring Harness to Instrument Panel Wiring Harness A



X19

Chassis Wiring Harness to Right Front Door Wiring Harness

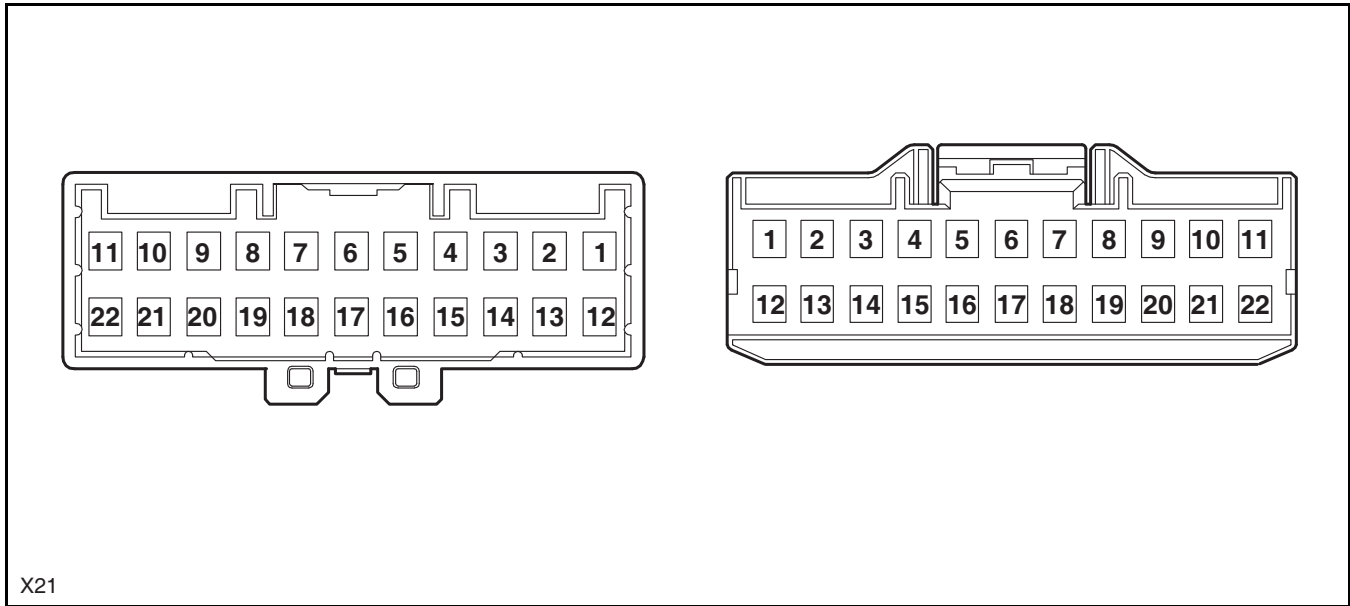
Right Front Door Wiring Harness to Chassis Wiring Harness



X20

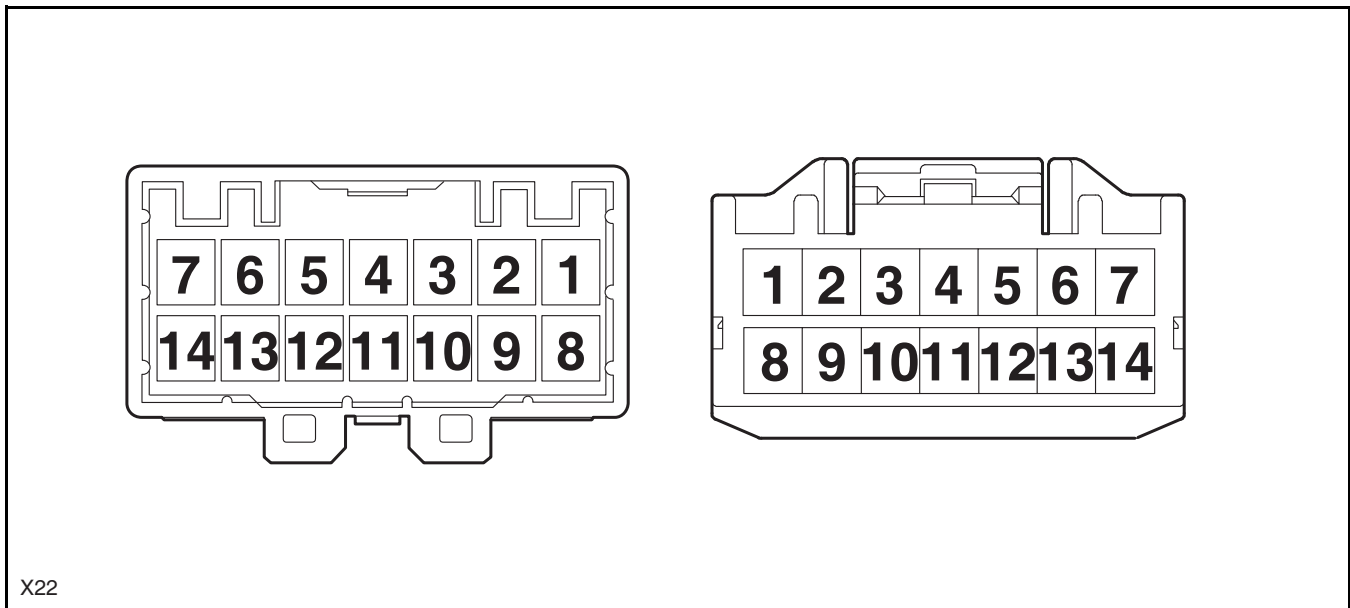
Chassis Wiring Harness to Back Door Wiring Harness

Back Door Wiring Harness to Chassis Wiring Harness



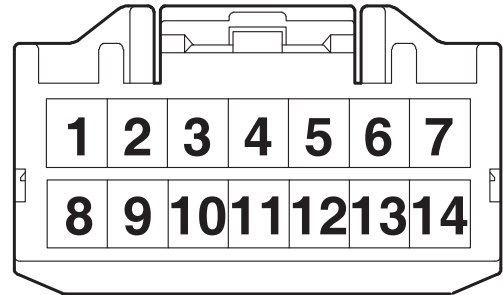
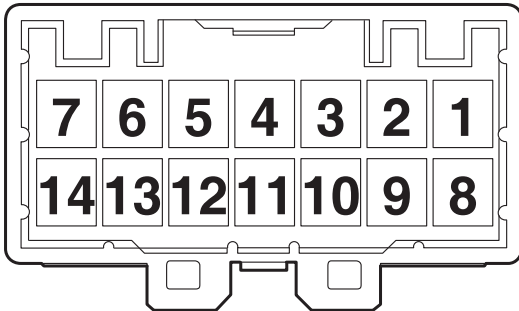
Chassis Wiring Harness to Right Rear Door Wiring Harness

Right Rear Door Wiring Harness to Chassis Wiring Harness



Chassis Wiring Harness to Left Rear Door Wiring Harness

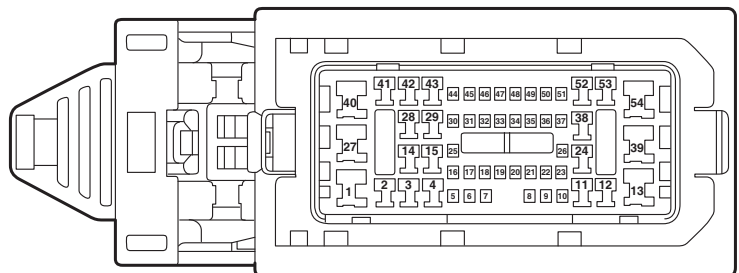
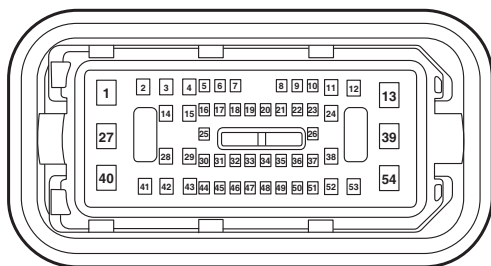
Left Rear Door Wiring Harness to Chassis Wiring Harness



X26

Chassis Wiring Harness to Left Front Door Wiring Harness

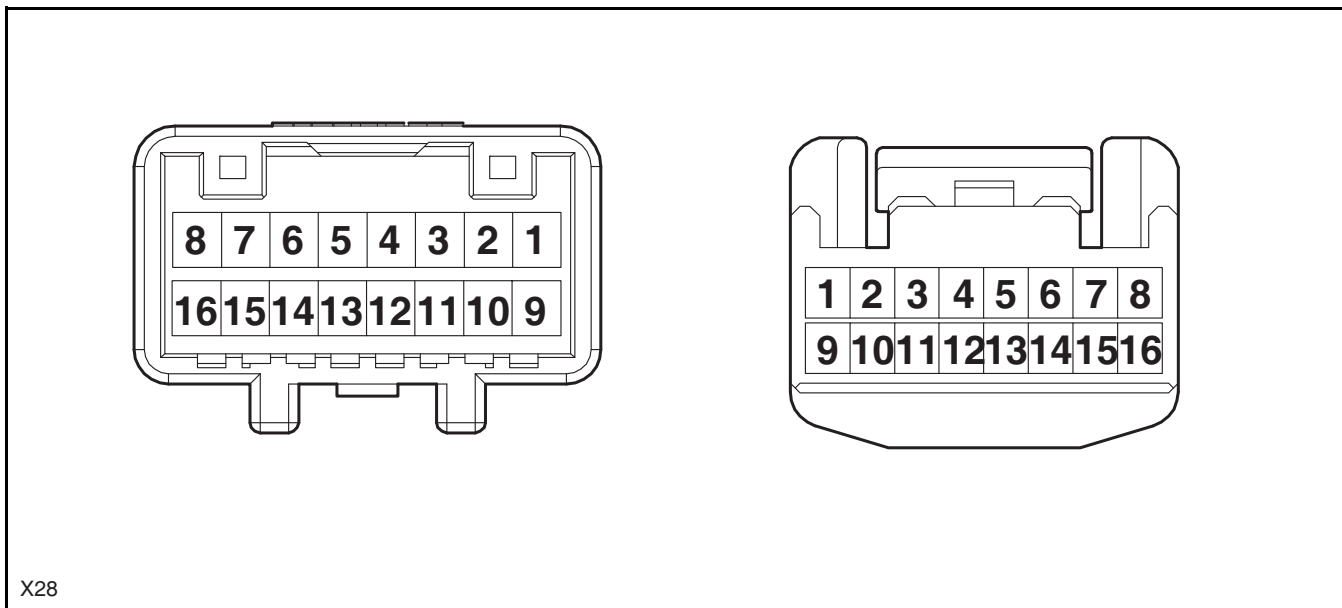
Left Front Door Wiring Harness to Chassis Wiring Harness



X27

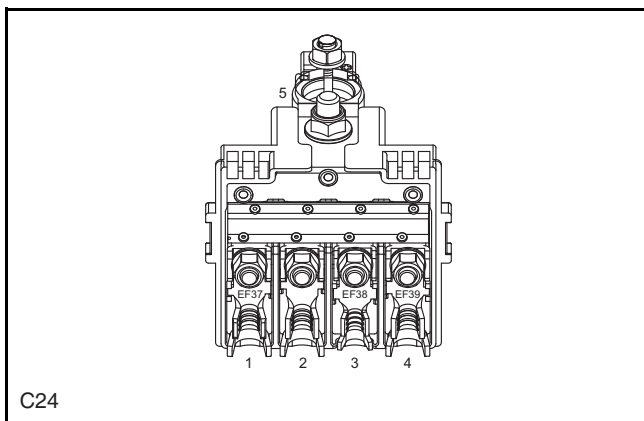
Back Door Wiring Harness to License Plate Lamp Wiring Harness

License Plate Lamp Wiring Harness to Back Door Wiring Harness

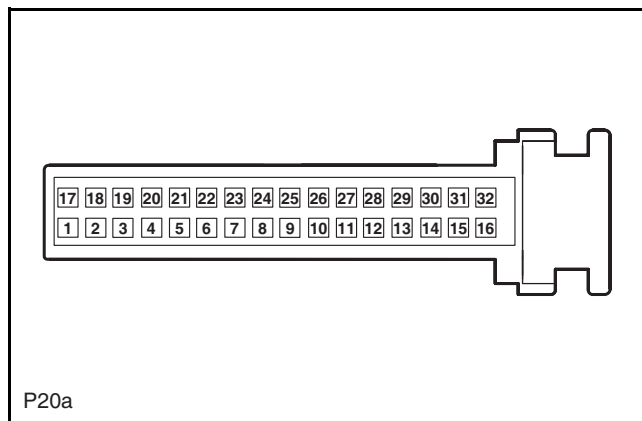


Battery Positive

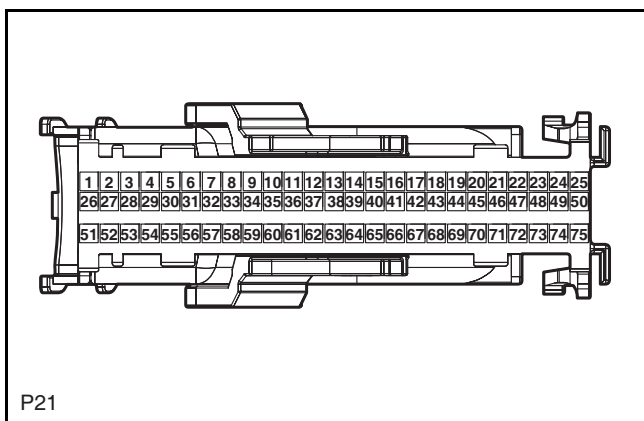
BCM-D



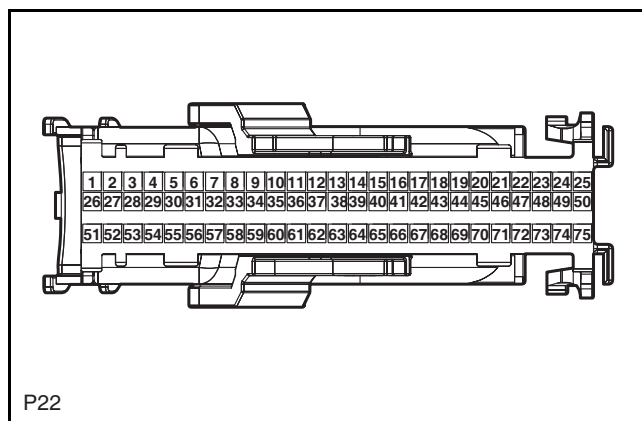
IBCM-A



IBCM-B

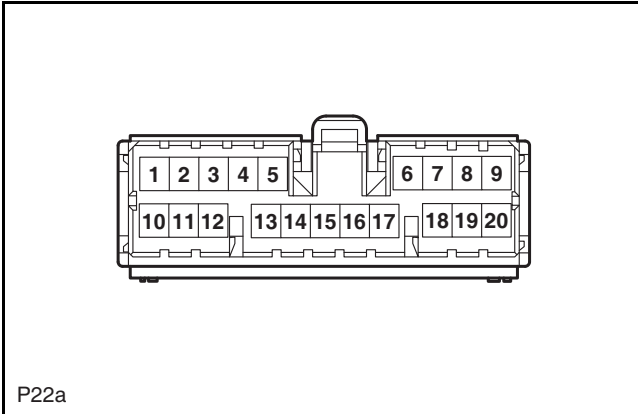


P21

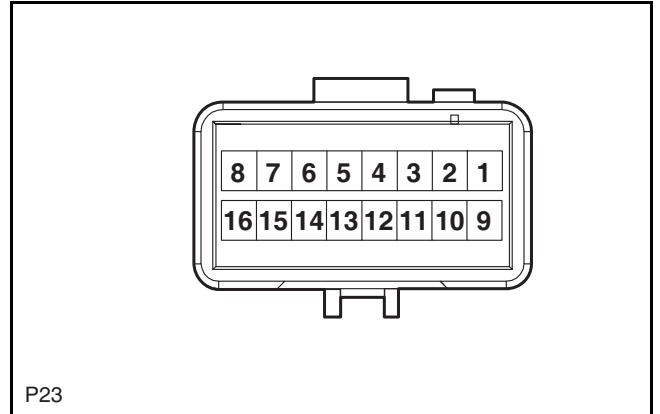


P22

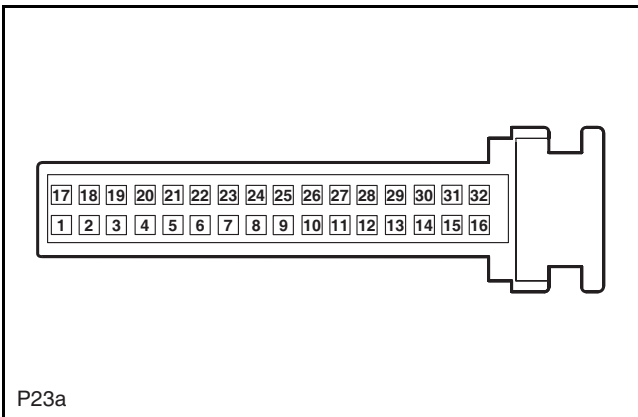
BCM-B



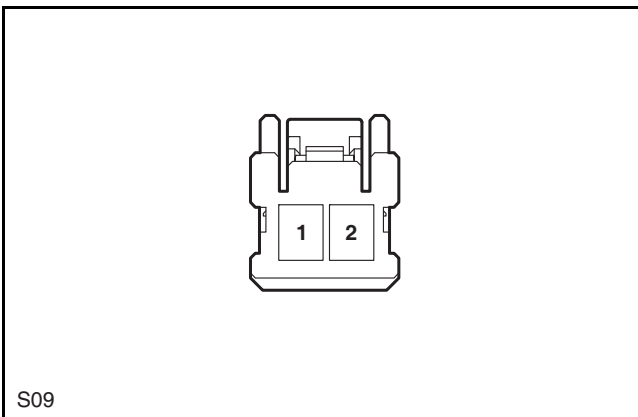
IBCM-C



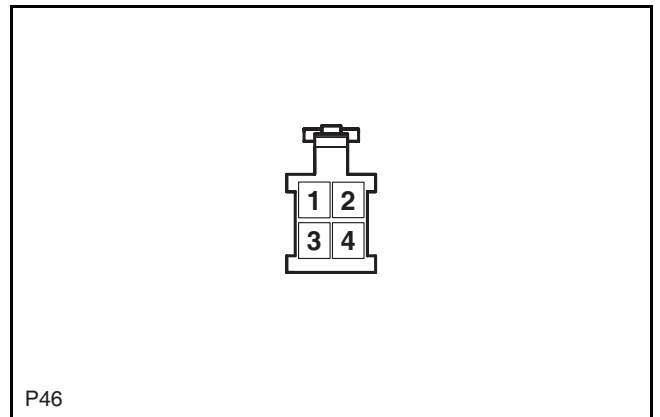
BCM-C



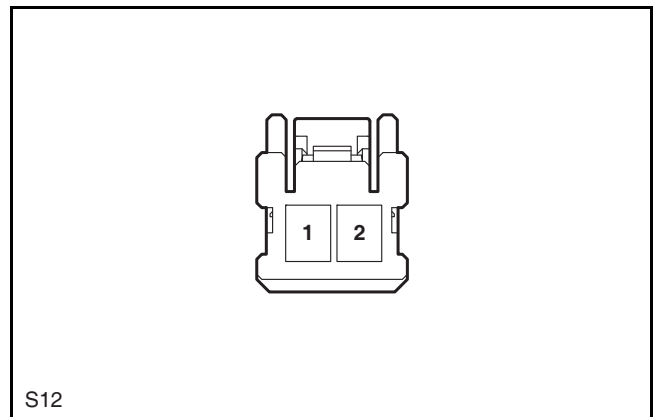
Right Front Door Contact Switch



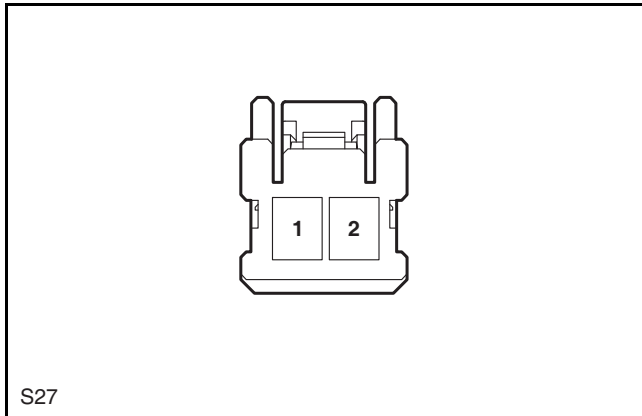
Key Reminder Switch



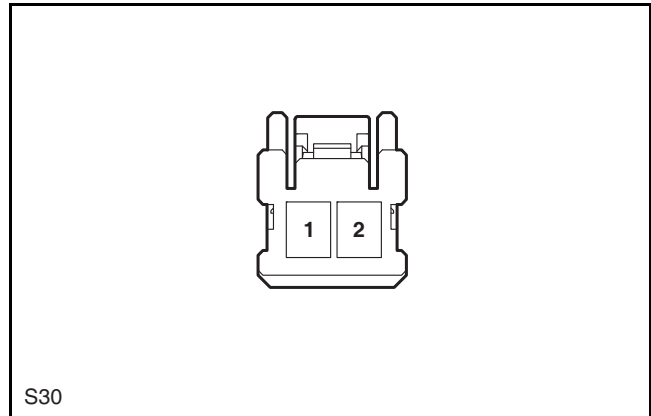
Right Rear Door Contact Switch



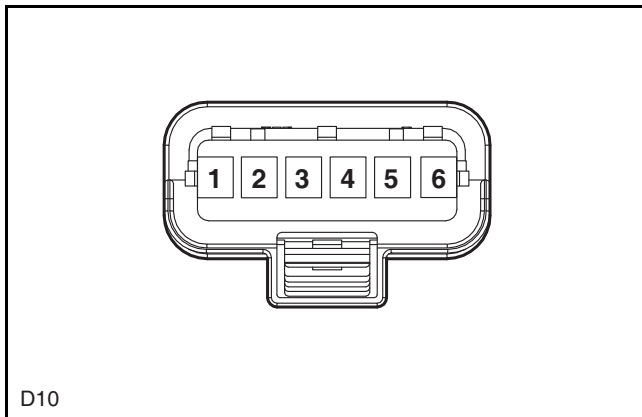
Left Rear Door Contact Switch



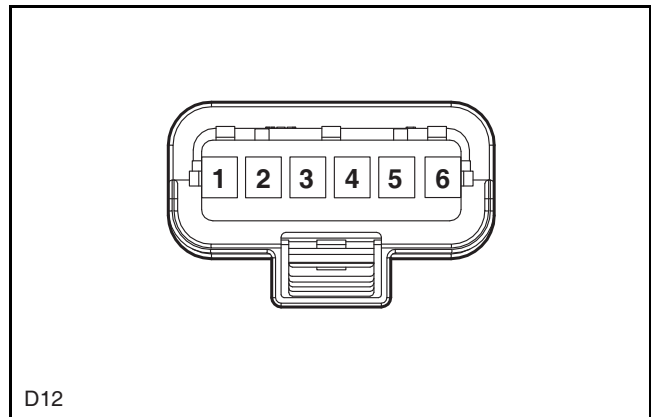
Left Front Door Contact Switch



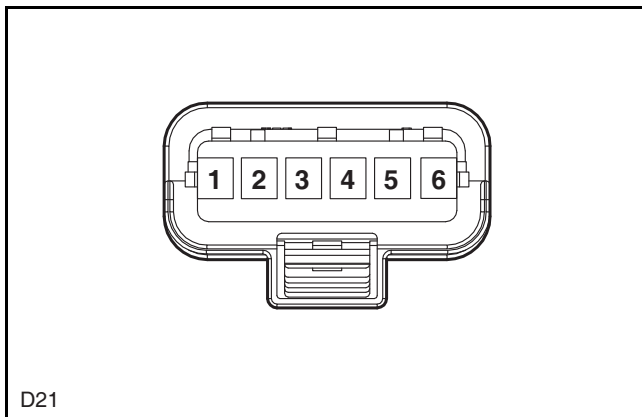
Left Front Door Lock Motor



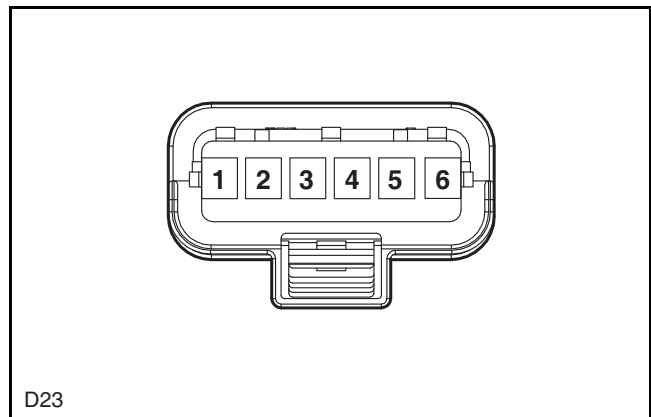
Right Front Door Lock Motor



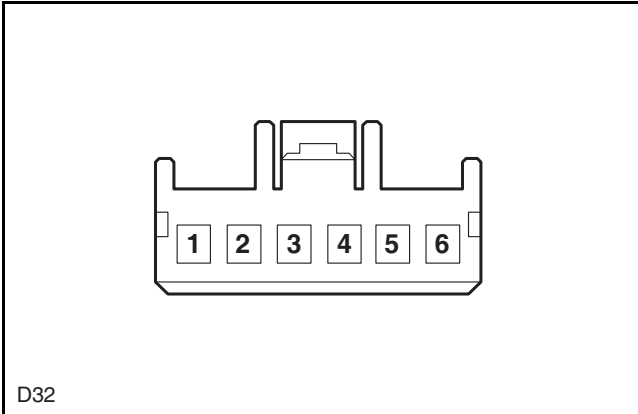
Left Rear Door Lock Motor



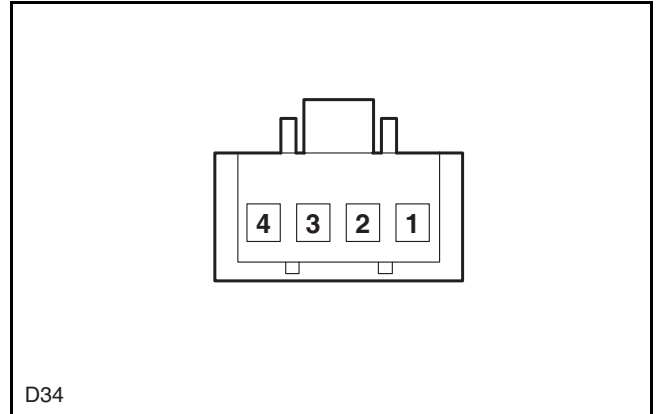
Right Rear Door Lock Motor



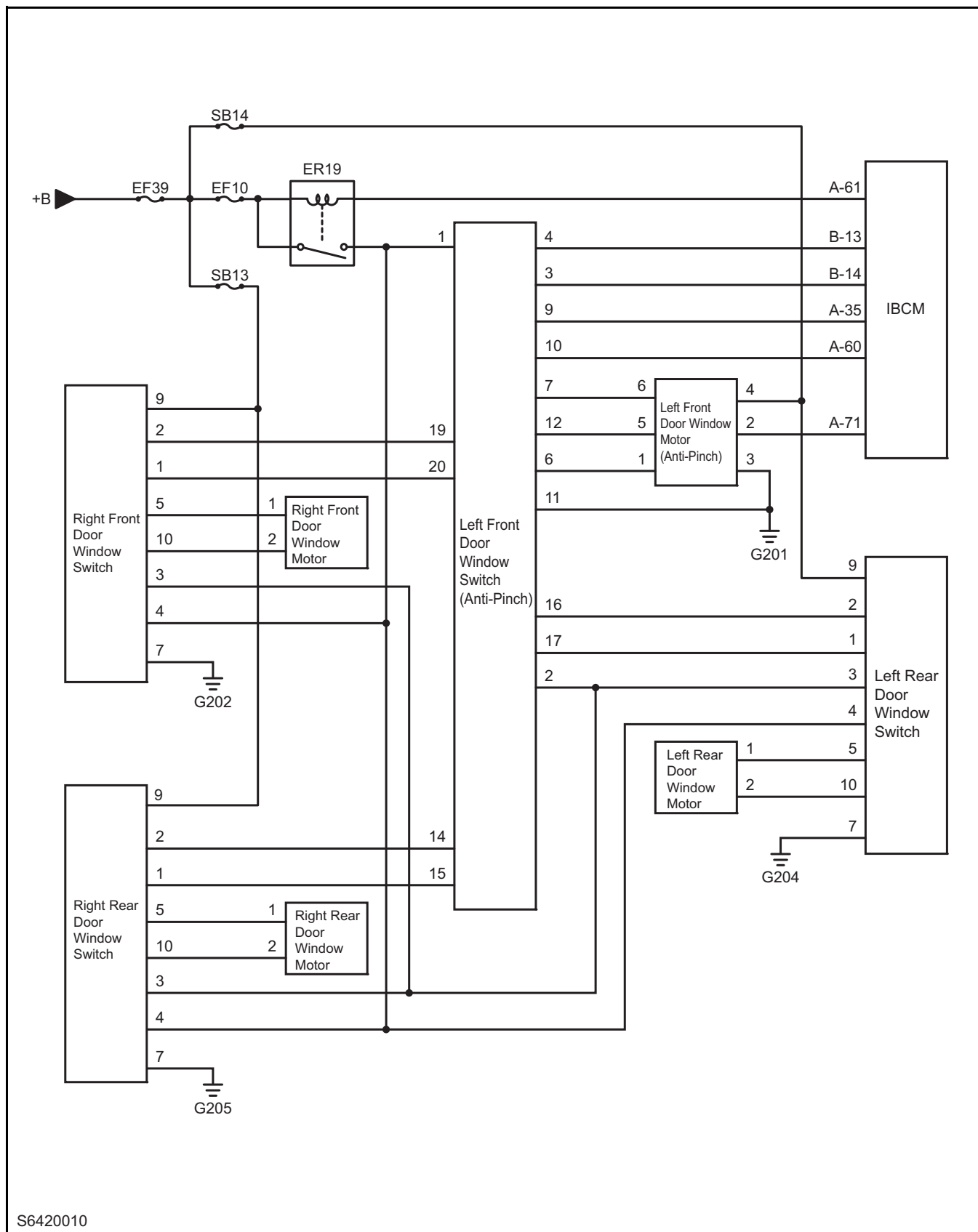
Luggage Compartment Lock Motor



Left License Plate Lamp

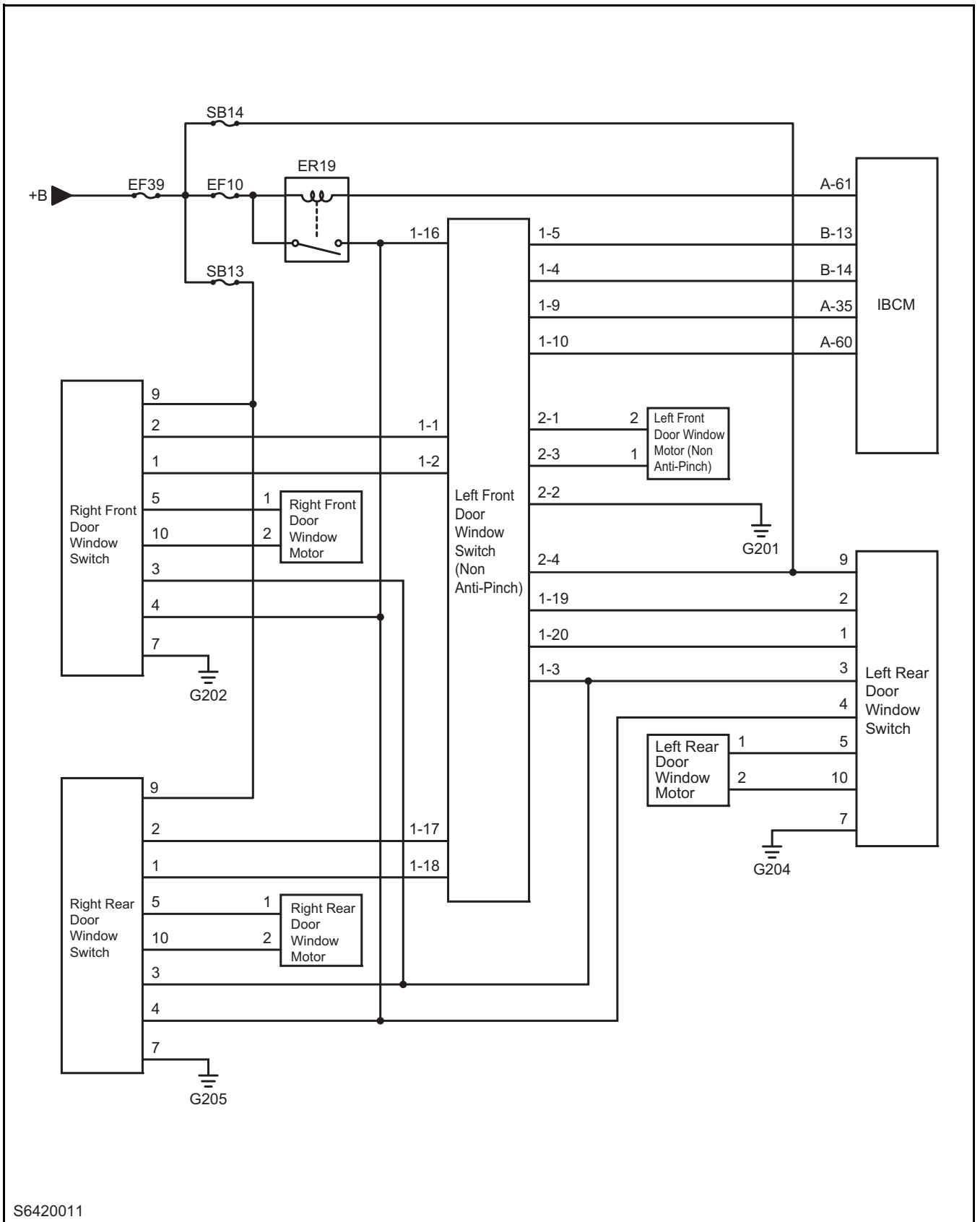


Power Window (for MT LEV3, AT LEV3 Models)



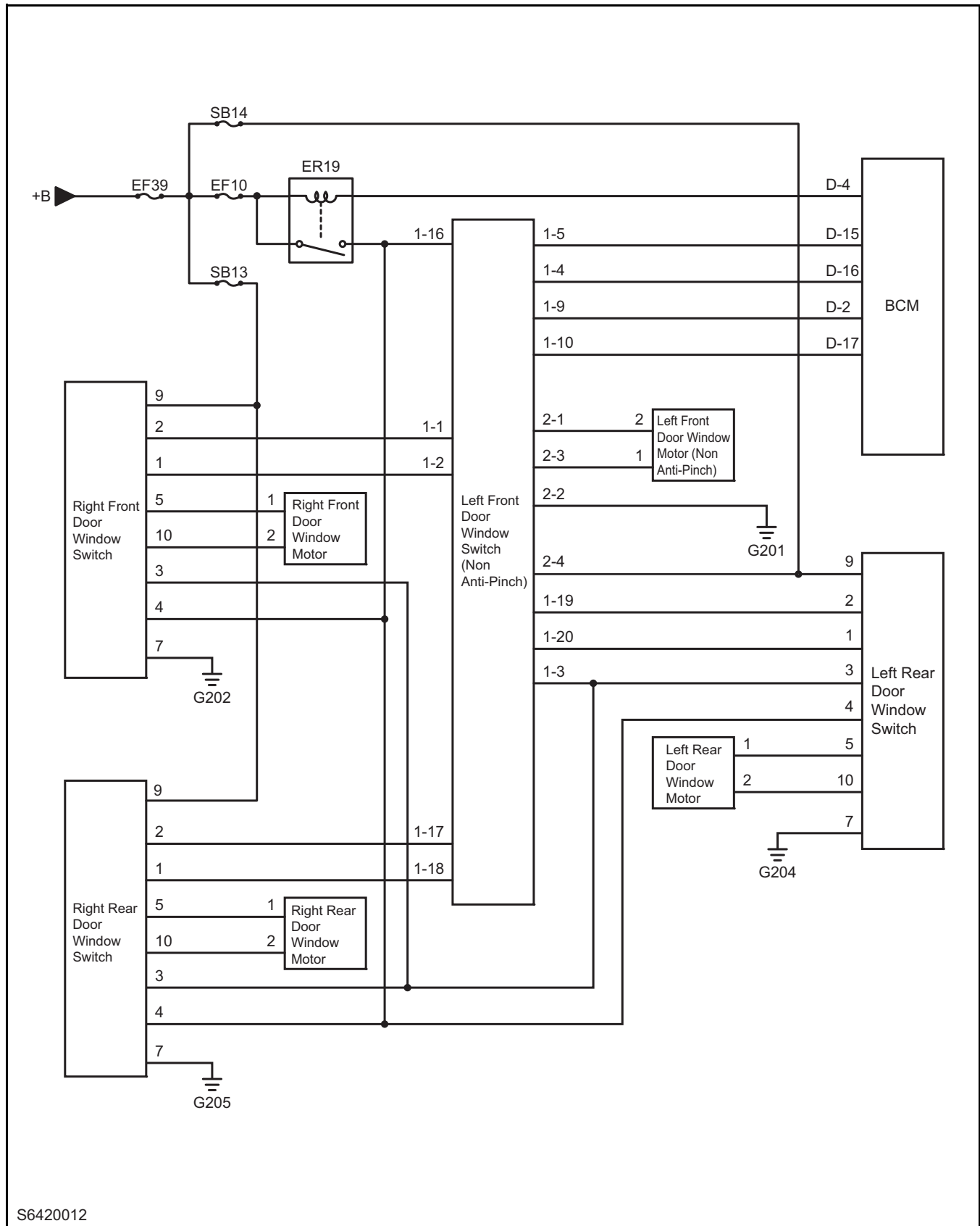
S6420010

Power Window (for MT LEV2, AT LEV2 Models)



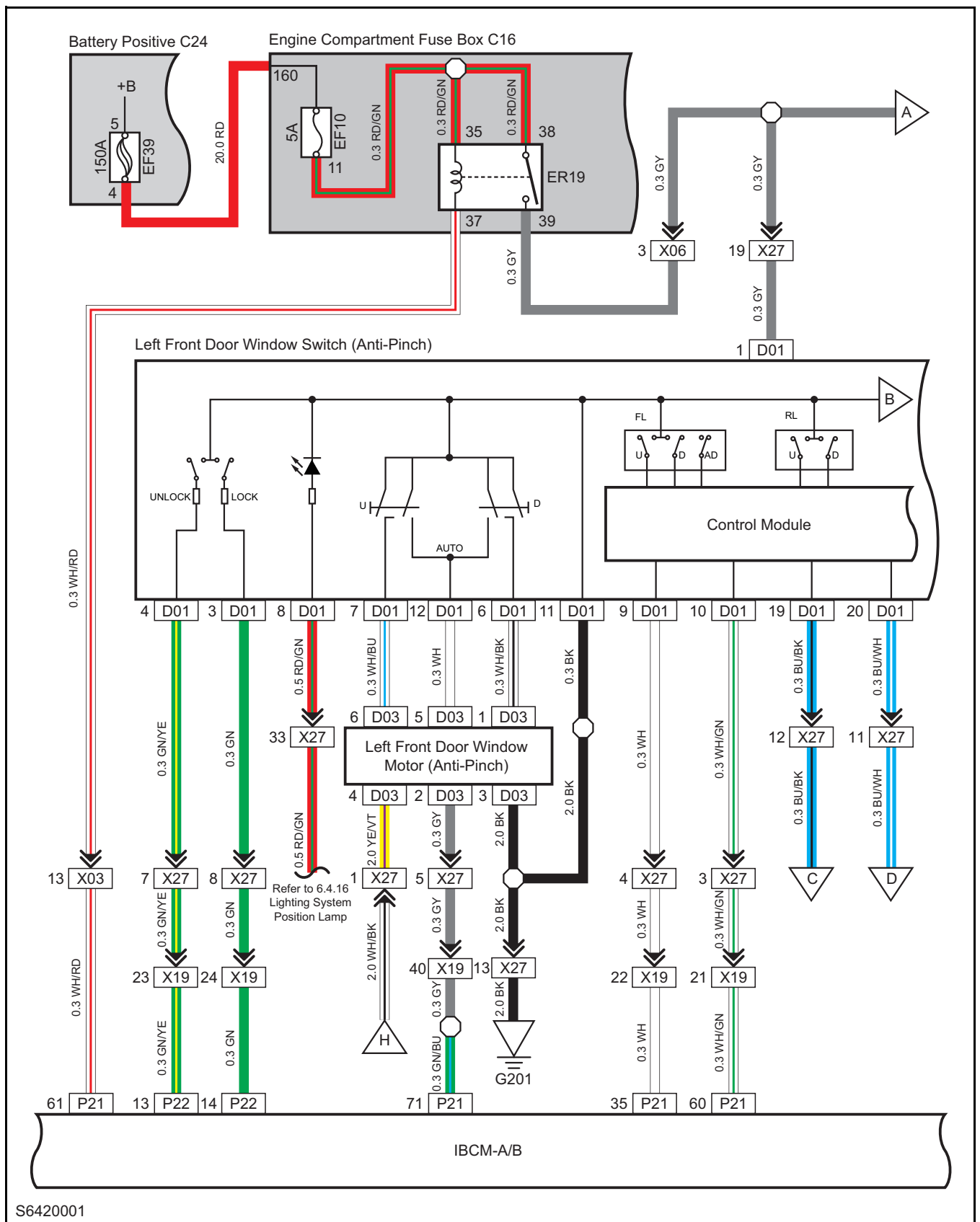
S6420011

Power Window (for MT LEV1 Model)



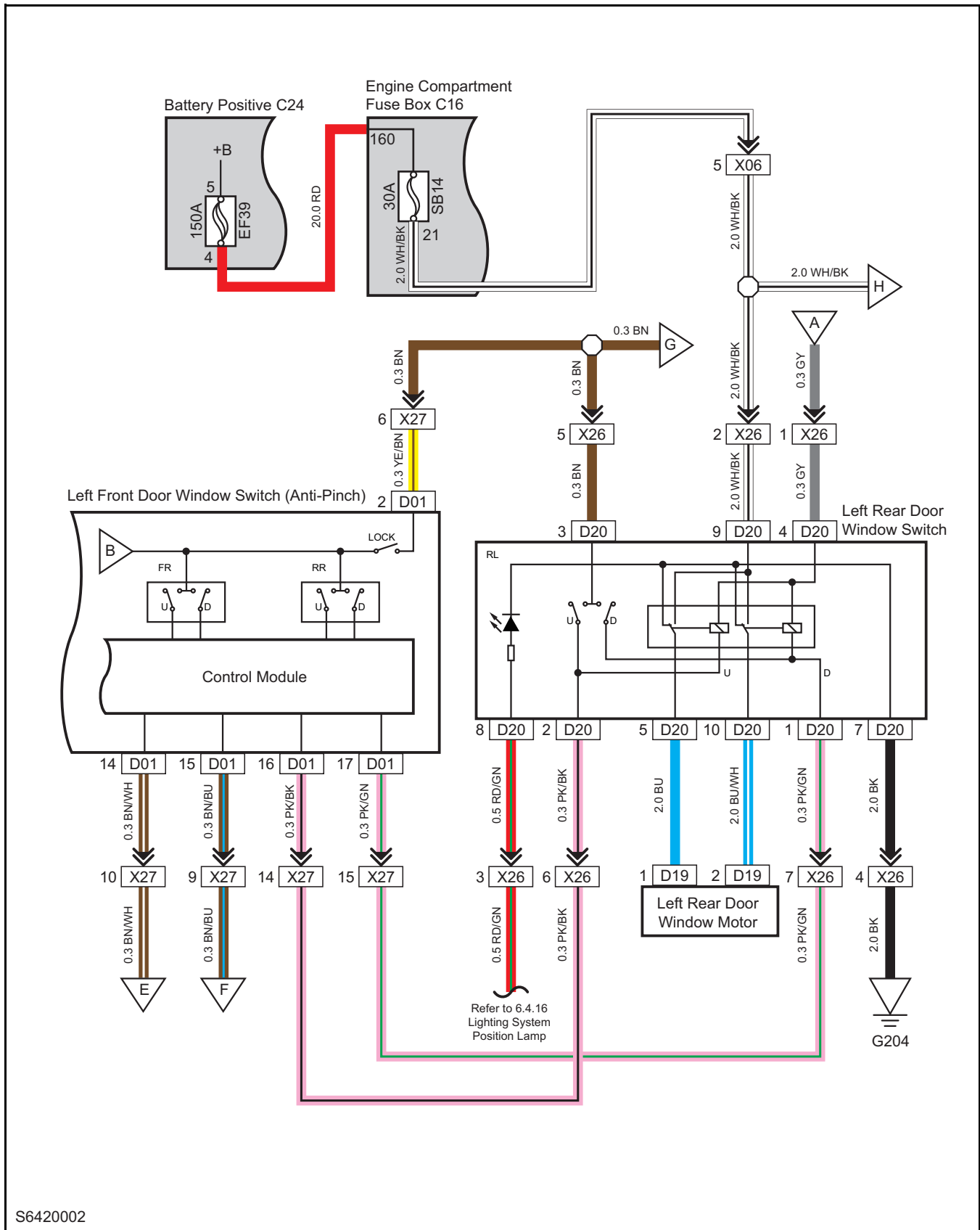
S6420012

Left Front Door Window (Anti-Pinch) (for MT LEV3, AT LEV3 Models)



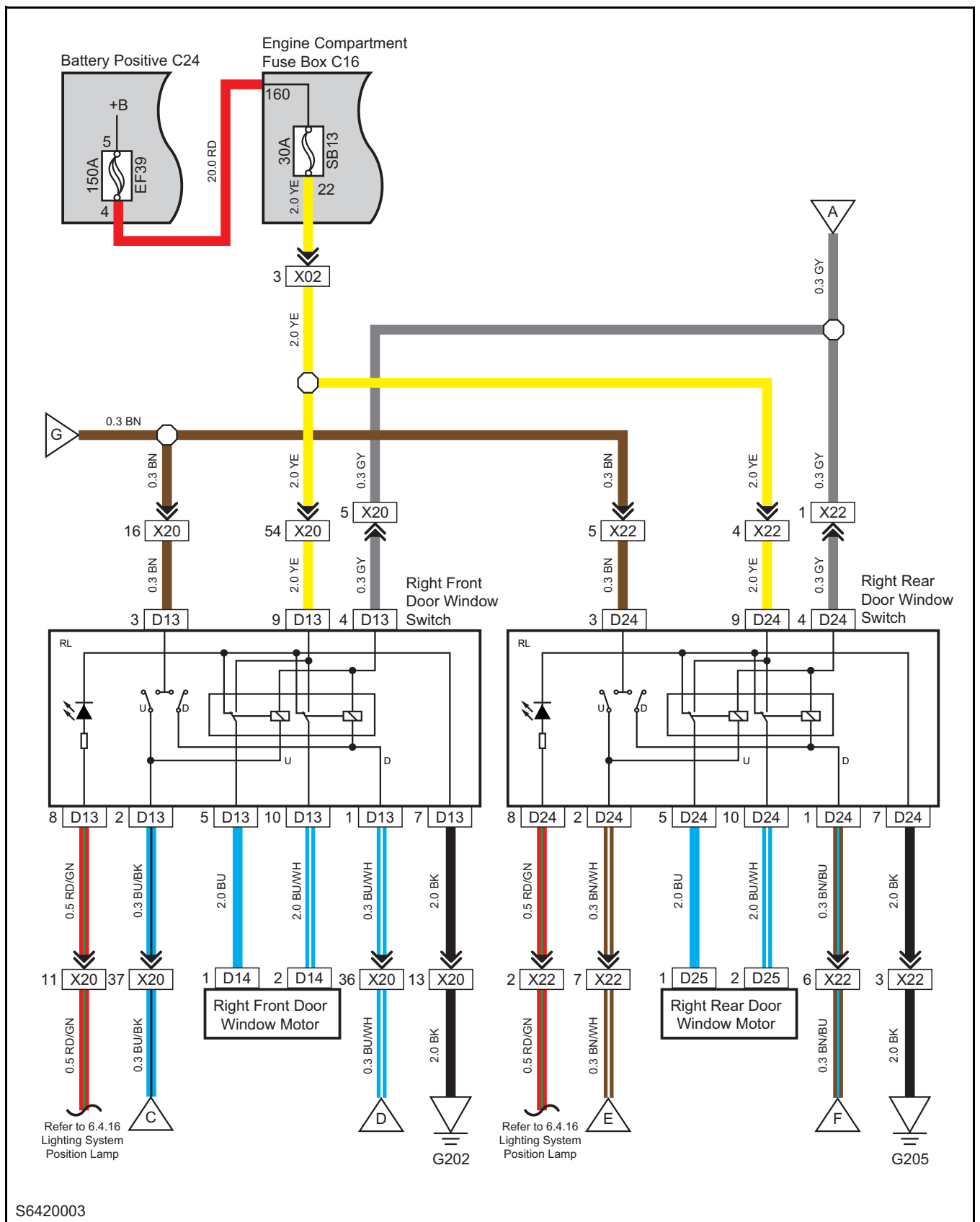
S6420001

Left Rear Door Window (for MT LEV3, AT LEV3 Models)

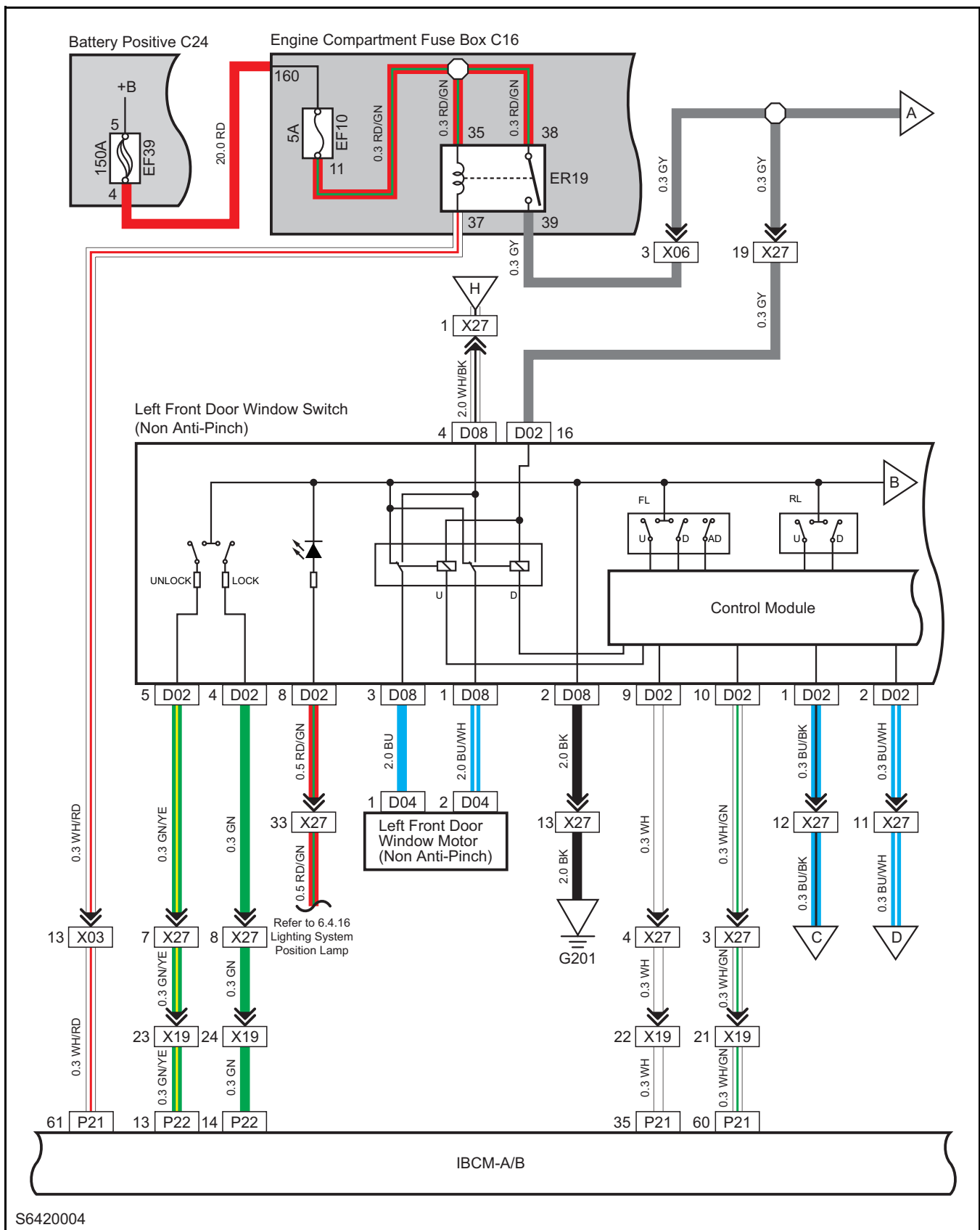


S6420002

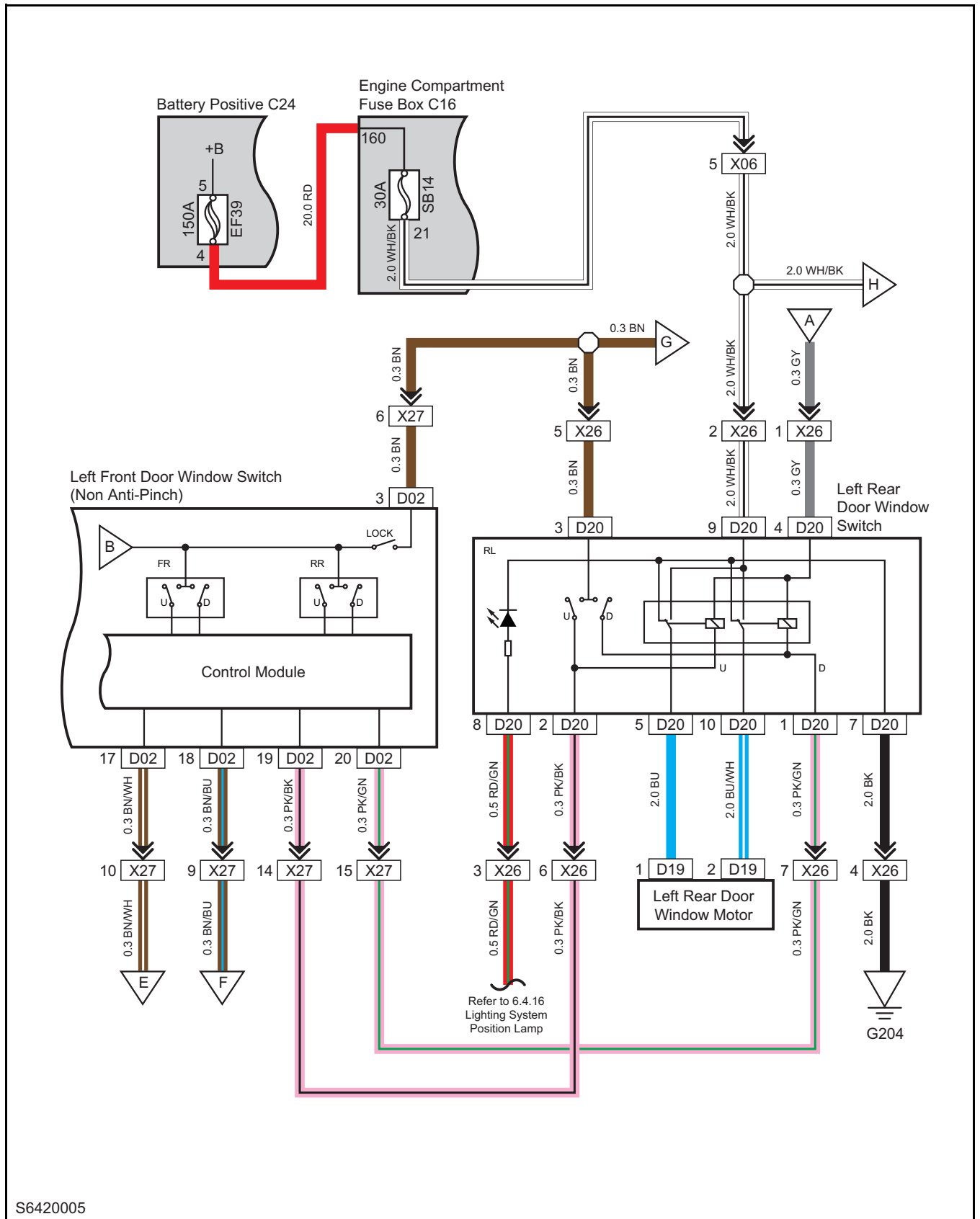
Right Front/Right Rear Door Window (for MT LEV3, AT LEV3 Models)



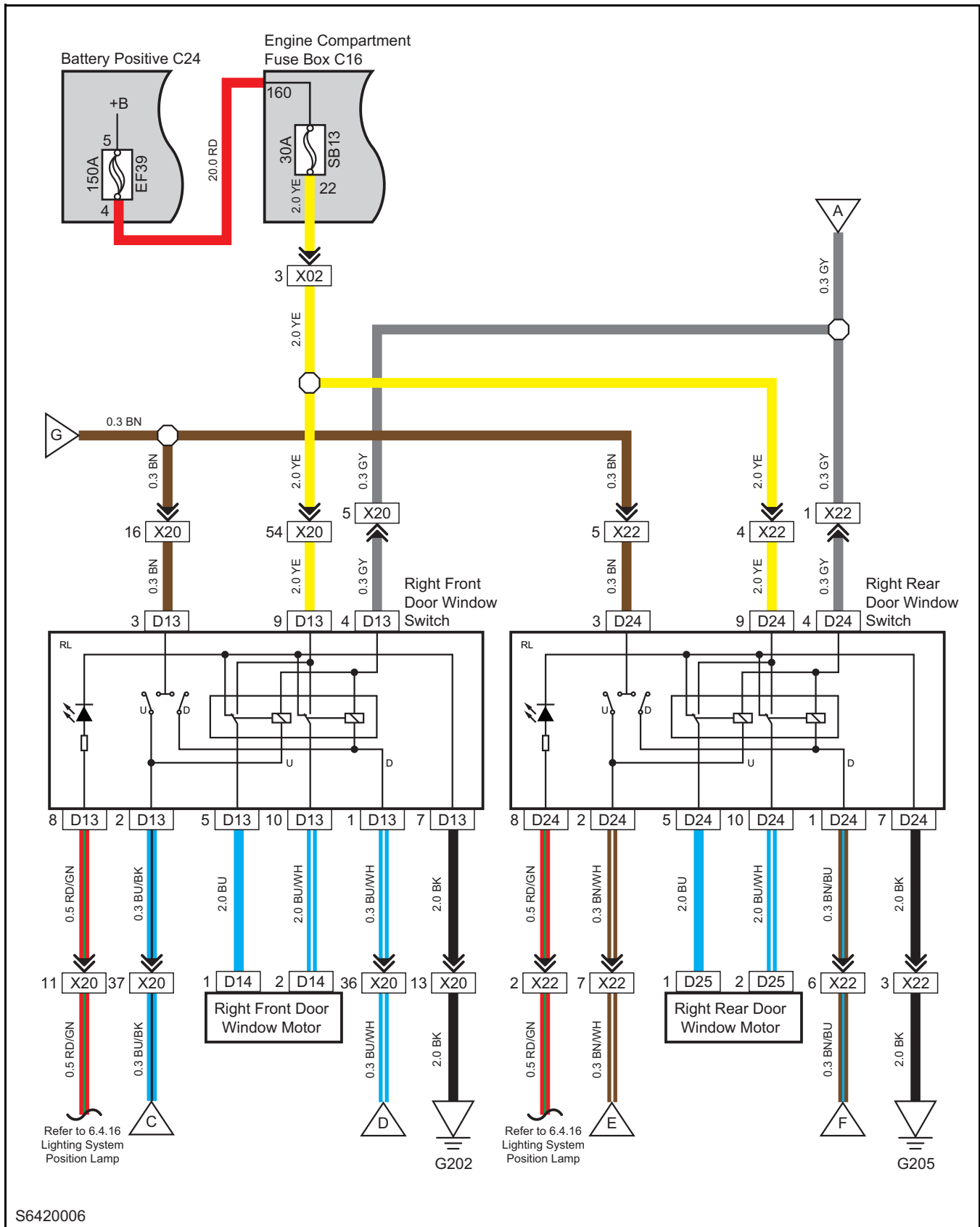
Left Front Door Window (Non Anti-Pinch) (for MT LEV2, AT LEV2 Models)



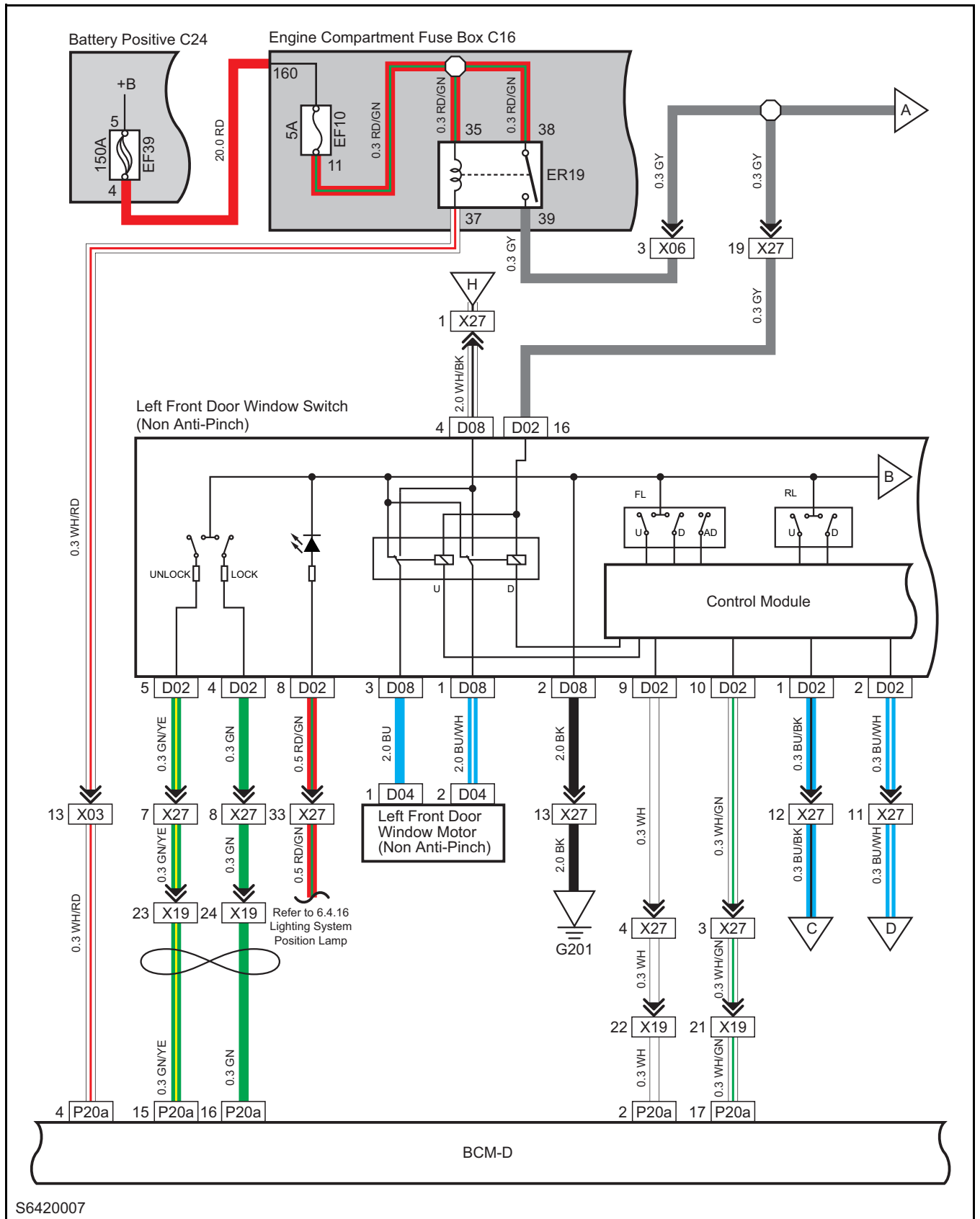
Left Rear Door Window (for MT LEV2, AT LEV2 Models)



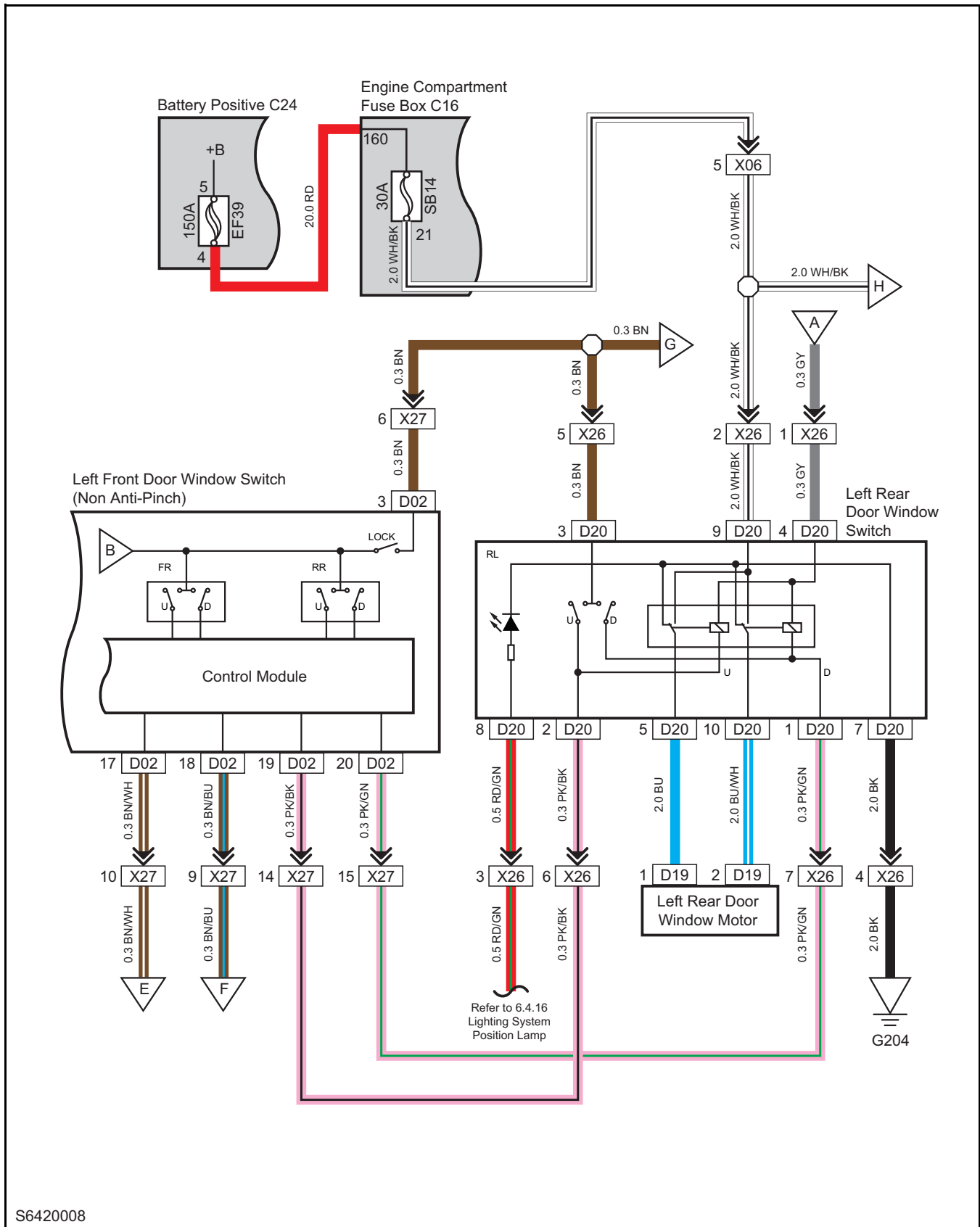
Right Front/Right Rear Door Window (for MT LEV2, AT LEV2 Models)



Left Front Door Window (Non Anti-Pinch) (for MT LEV1 Model)

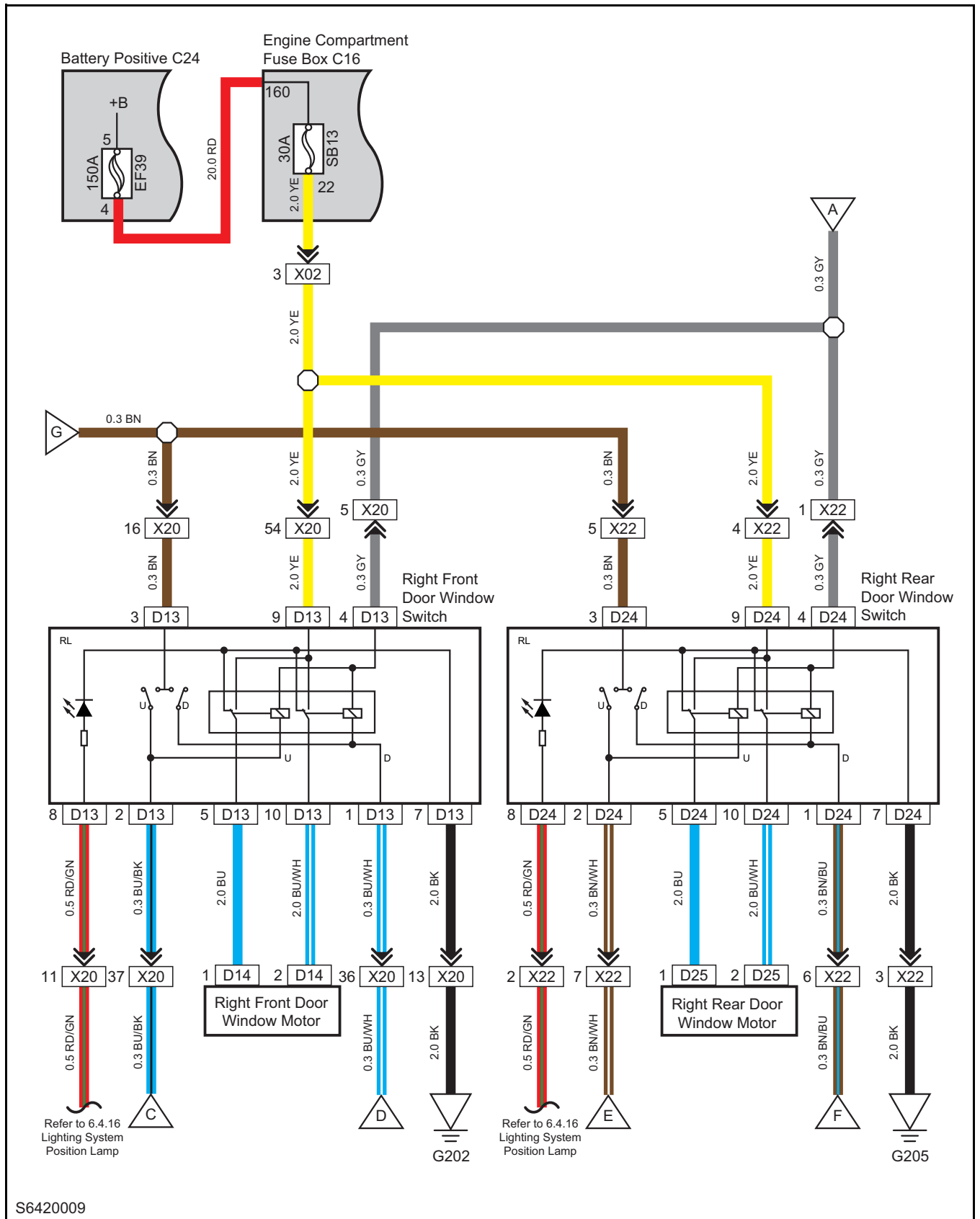


Left Rear Door Window (for MT LEV1 Model)

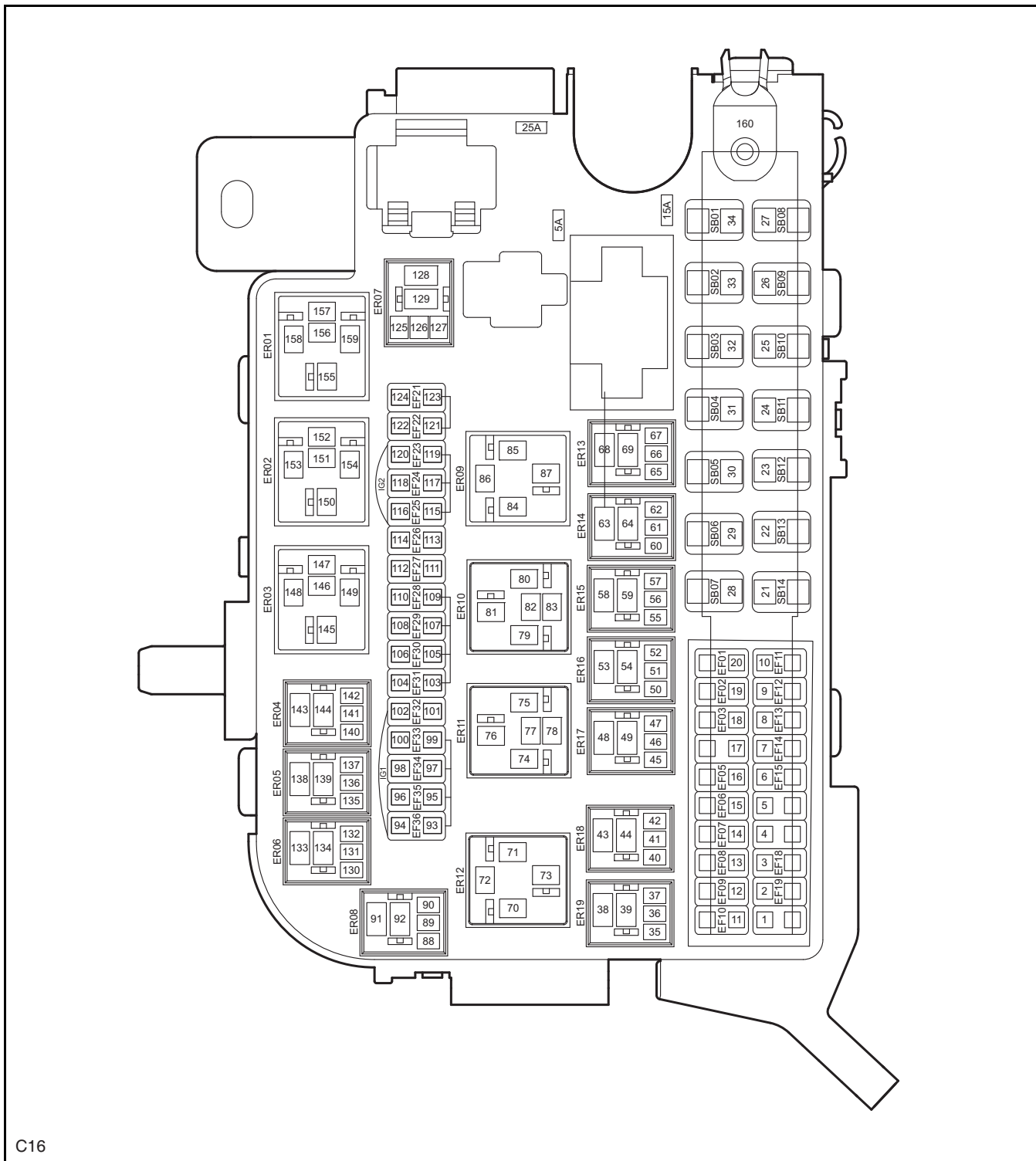


S6420008

Right Front/Right Rear Door Window (for MT LEV1 Model)



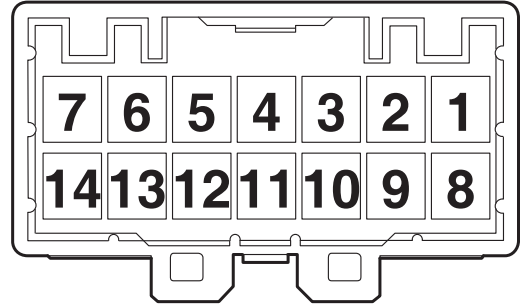
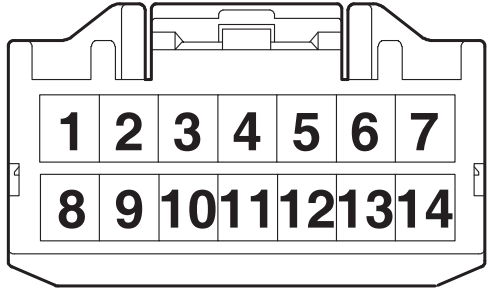
Engine Compartment Fuse Box



C16

Engine Compartment Wiring Harness to Chassis
Wiring Harness B

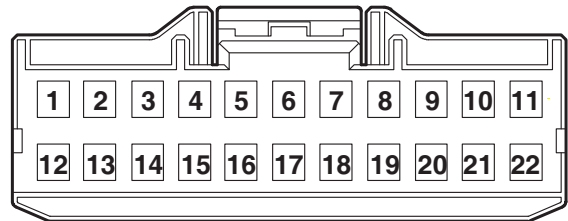
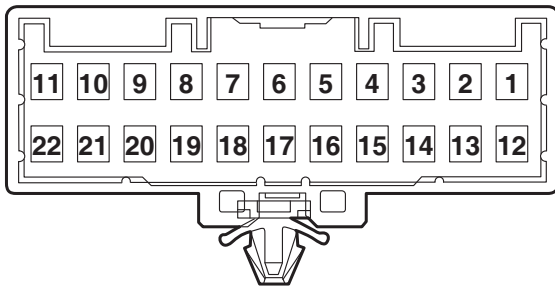
Chassis Wiring Harness to Engine Compartment
Wiring Harness B



X02

Engine Compartment Wiring Harness to Instrument
Panel Wiring Harness D

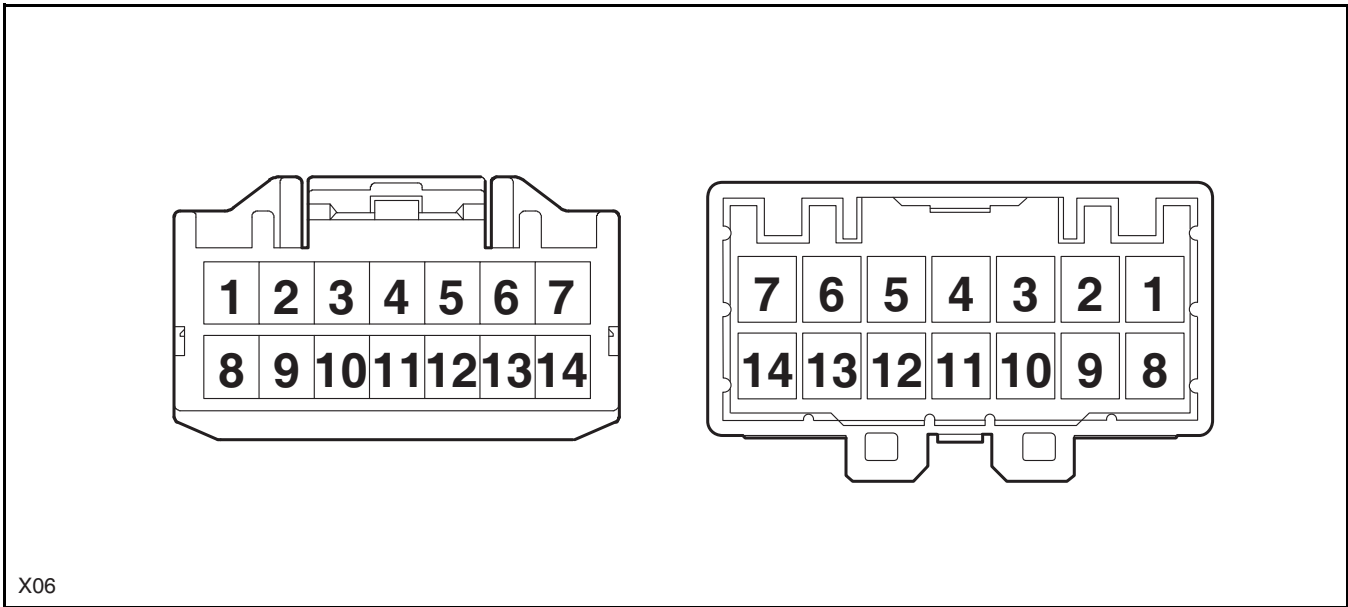
Instrument Panel Wiring Harness to Engine
Compartment Wiring Harness D



X03

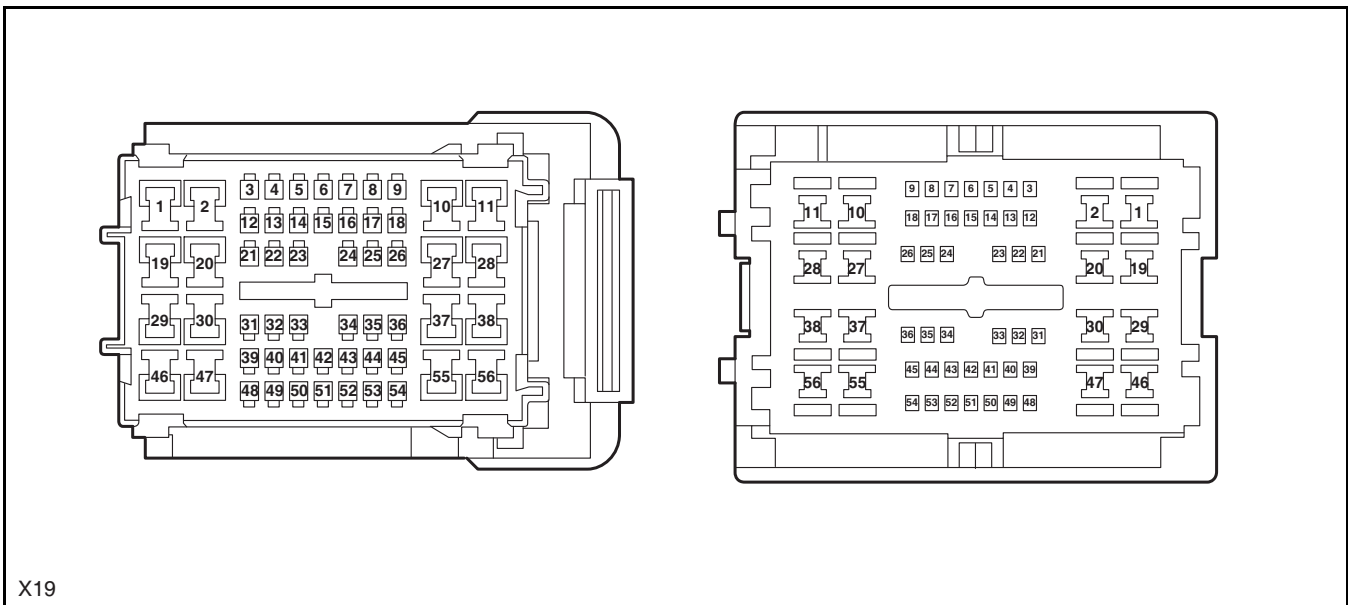
Engine Compartment Wiring Harness to Chassis Wiring Harness A

Chassis Wiring Harness to Engine Compartment Wiring Harness A



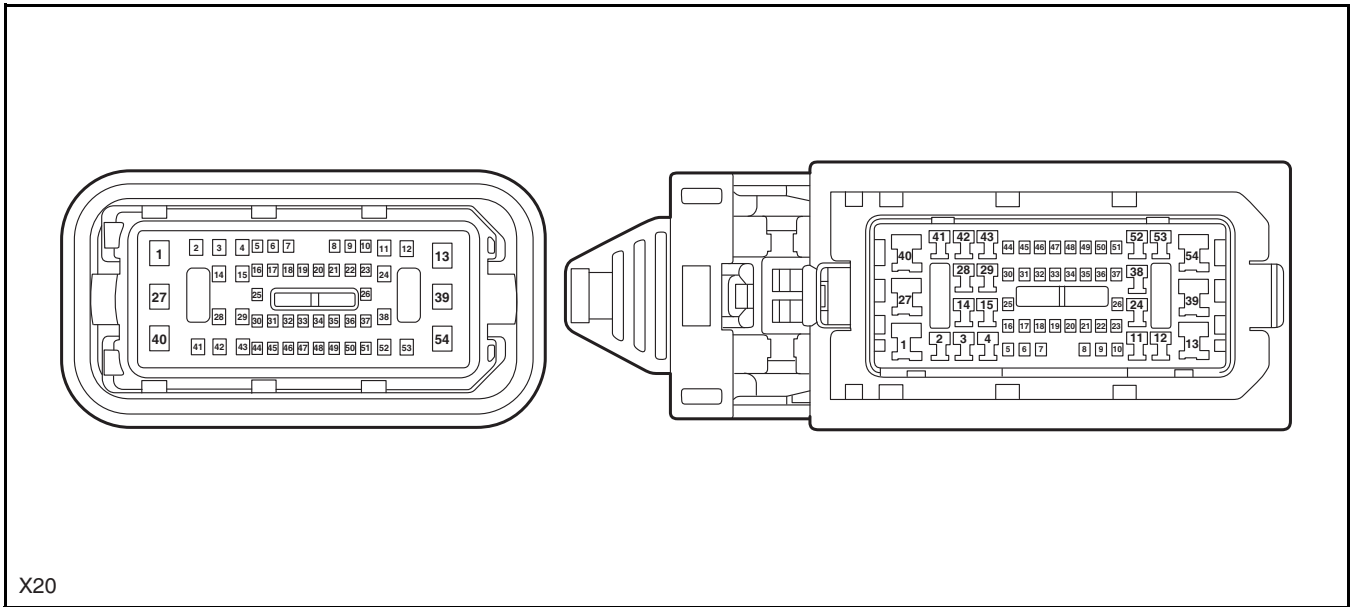
Instrument Panel Wiring Harness to Chassis Wiring Harness A

Chassis Wiring Harness to Instrument Panel Wiring Harness A



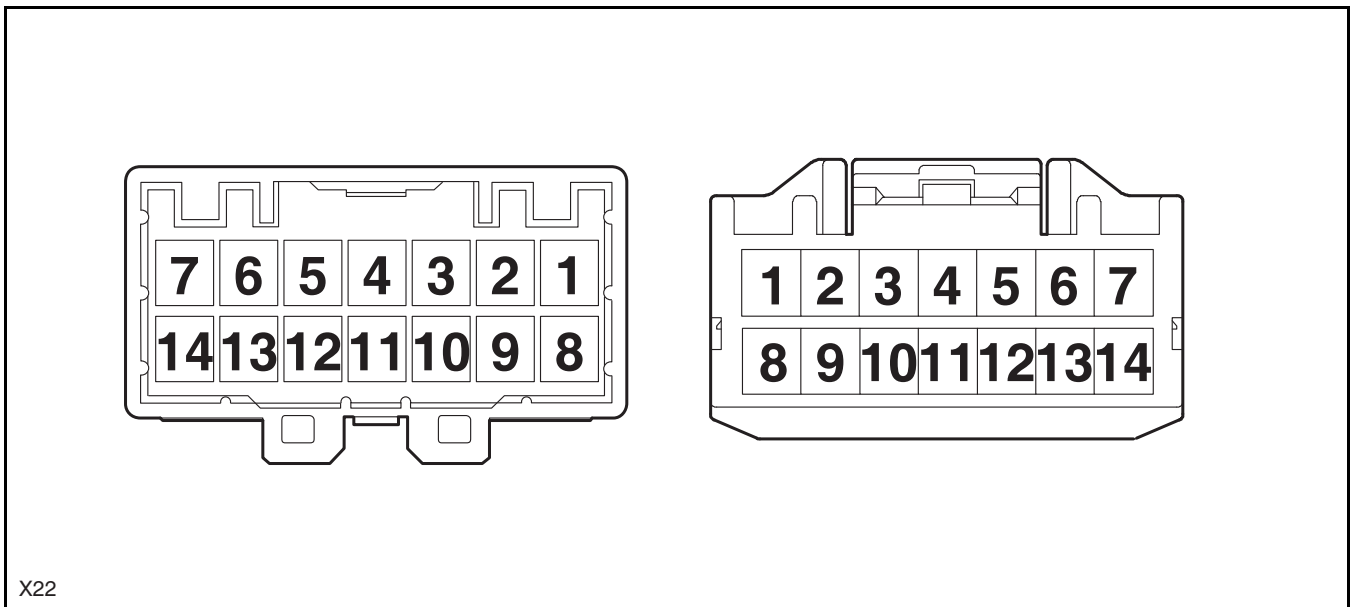
Chassis Wiring Harness to Right Front Door Wiring Harness

Right Front Door Wiring Harness to Chassis Wiring Harness



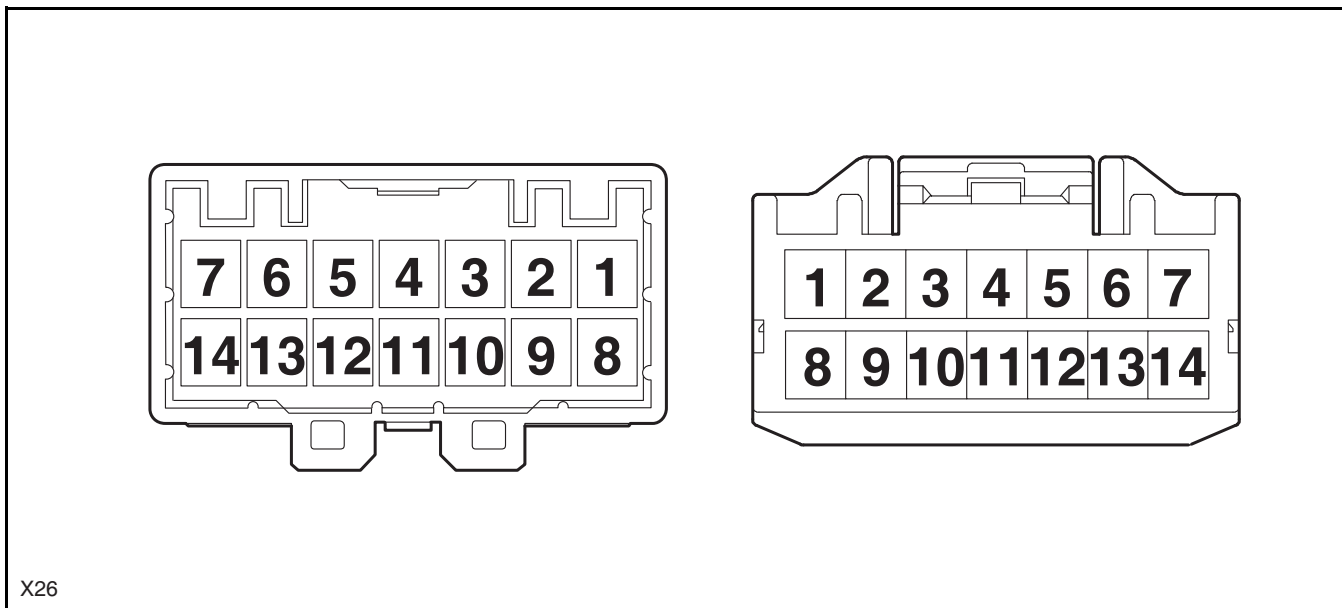
Chassis Wiring Harness to Right Rear Door Wiring Harness

Right Rear Door Wiring Harness to Chassis Wiring Harness



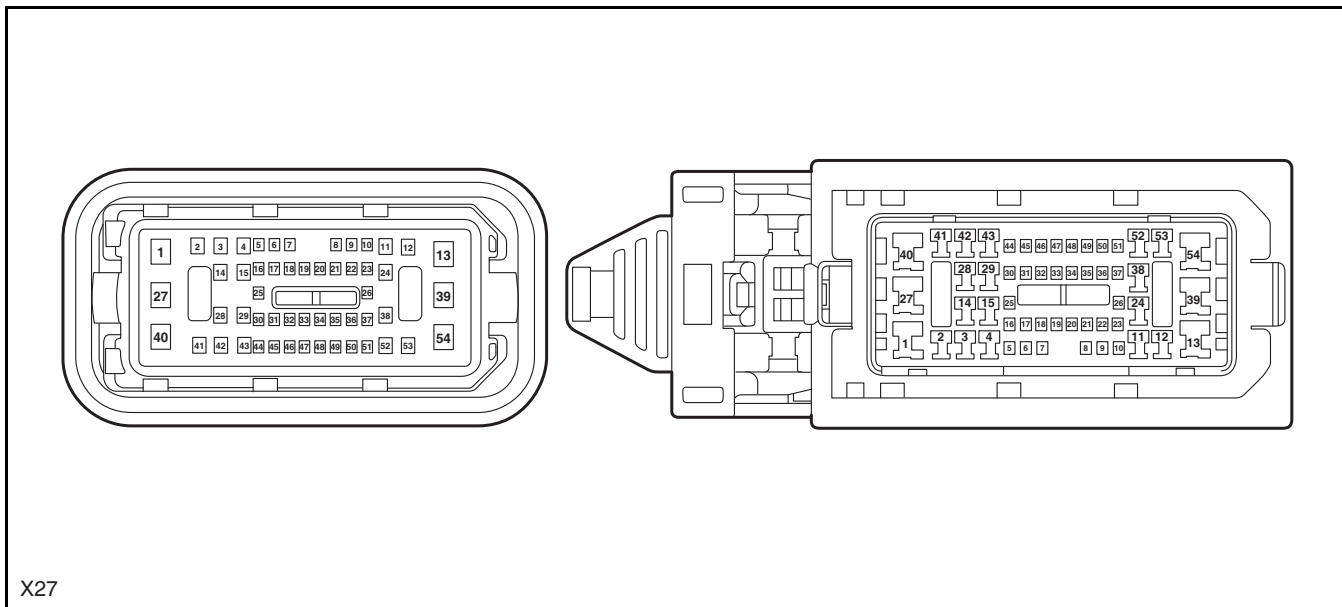
Chassis Wiring Harness to Left Rear Door Wiring Harness

Left Rear Door Wiring Harness to Chassis Wiring Harness



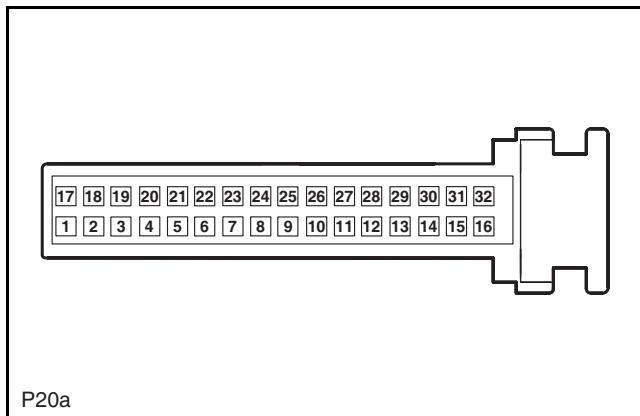
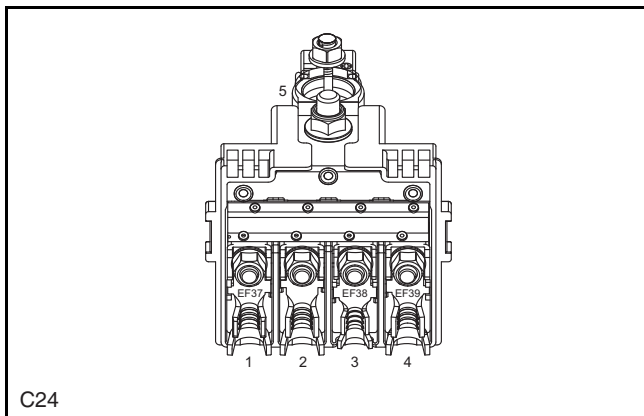
Chassis Wiring Harness to Left Front Door Wiring Harness

Left Front Door Wiring Harness to Chassis Wiring Harness



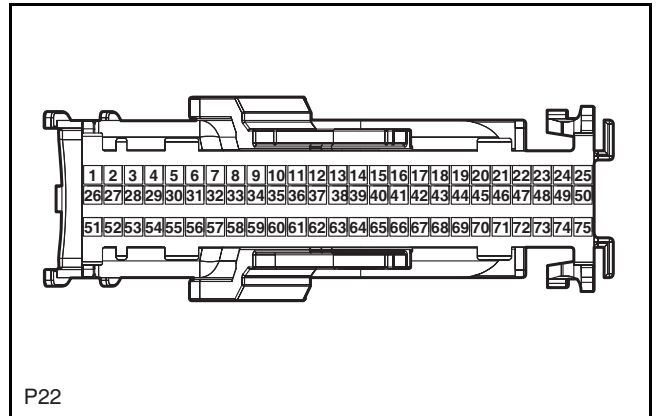
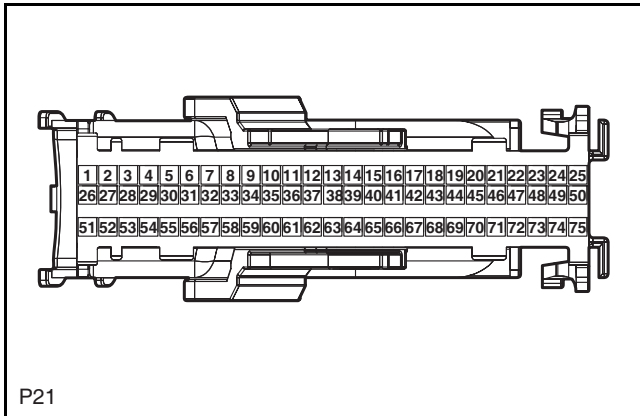
Battery Positive

BCM-D



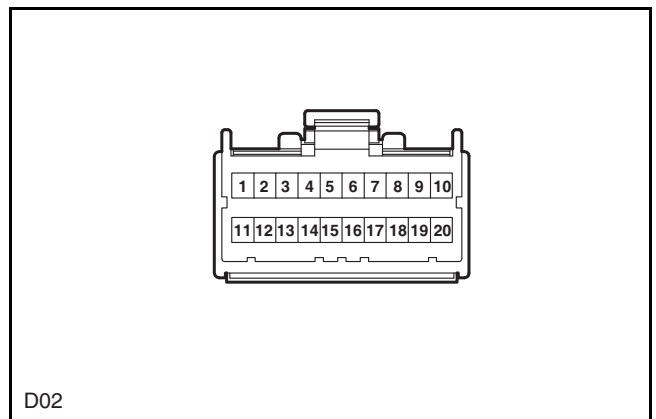
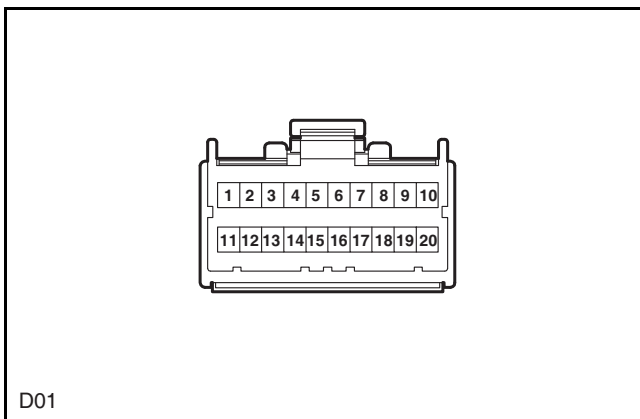
IBCM-A

IBCM-B



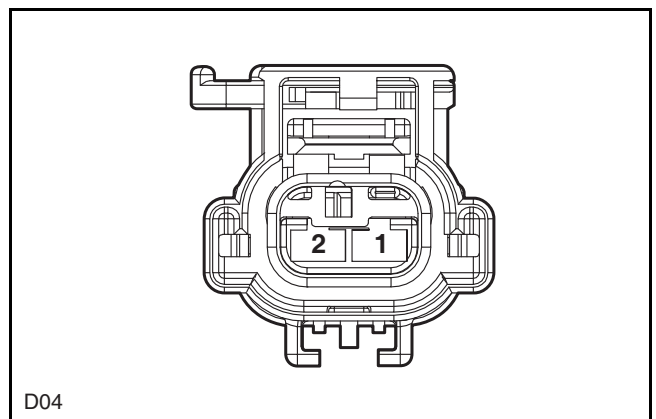
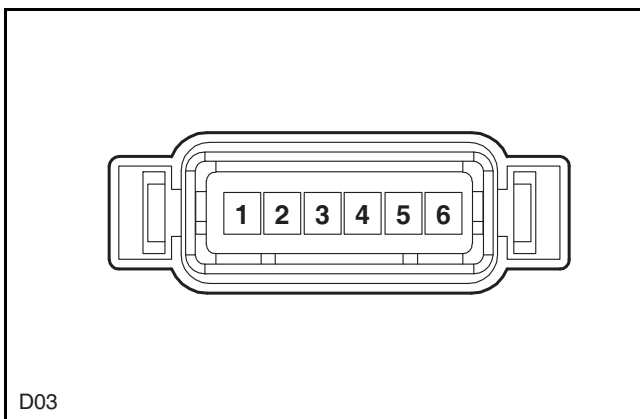
Left Front Door Window Switch (Anti-Pinch)

Left Front Door Window Switch-A (Non Anti-Pinch)



Left Front Door Window Motor (Anti-Pinch)

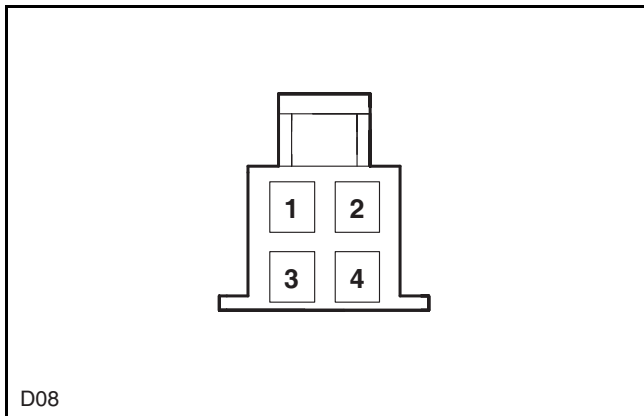
Left Front Door Window Motor (Non Anti-Pinch)



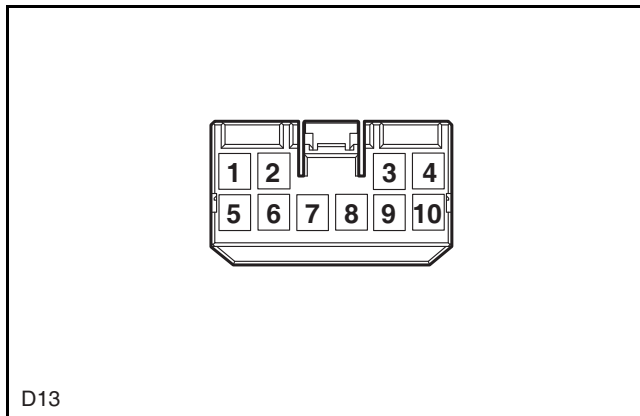
D03

D04

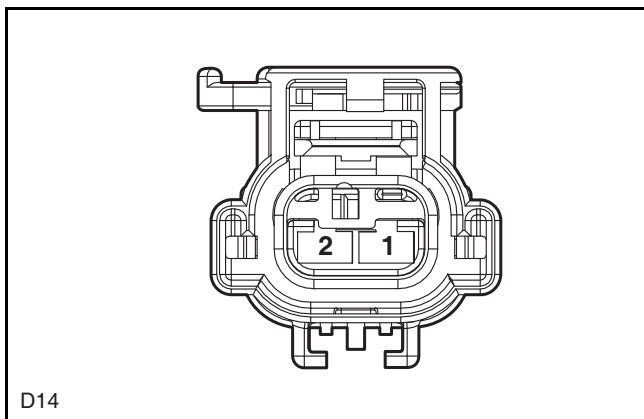
Left Front Door Window Switch-B (Non Anti-Pinch)



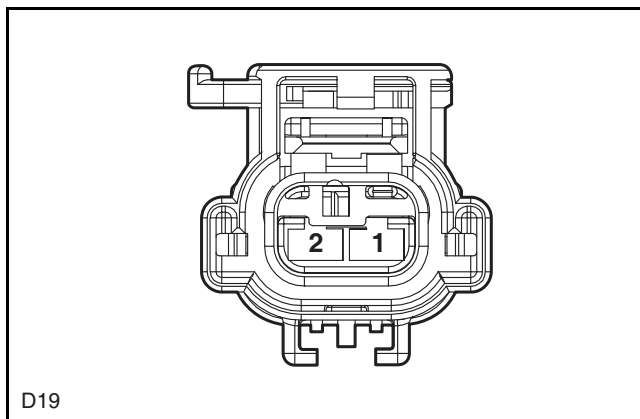
Right Front Door Window Switch



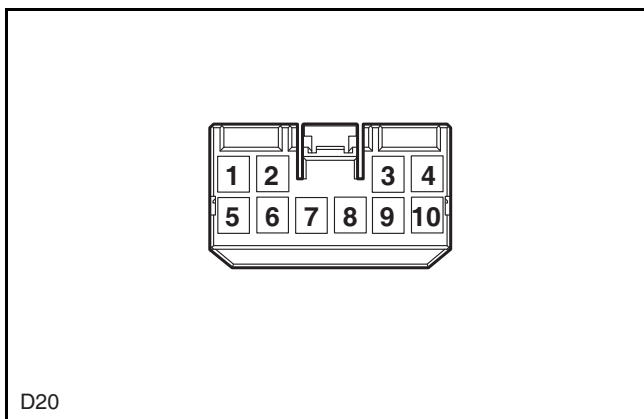
Right Front Door Window Motor



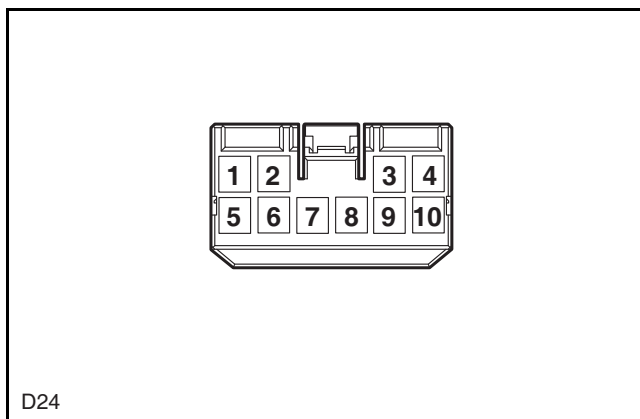
Left Rear Door Window Motor



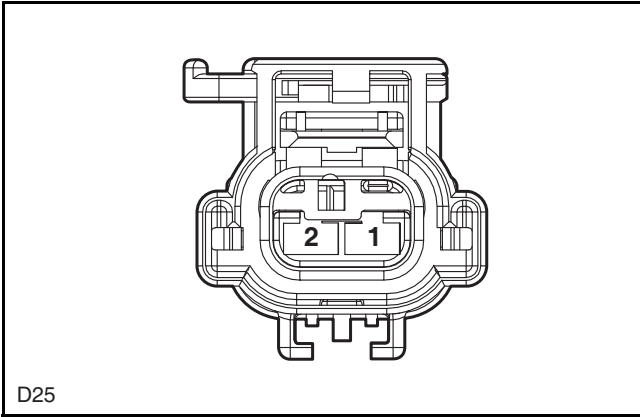
Left Rear Door Window Switch



Right Rear Door Window Switch

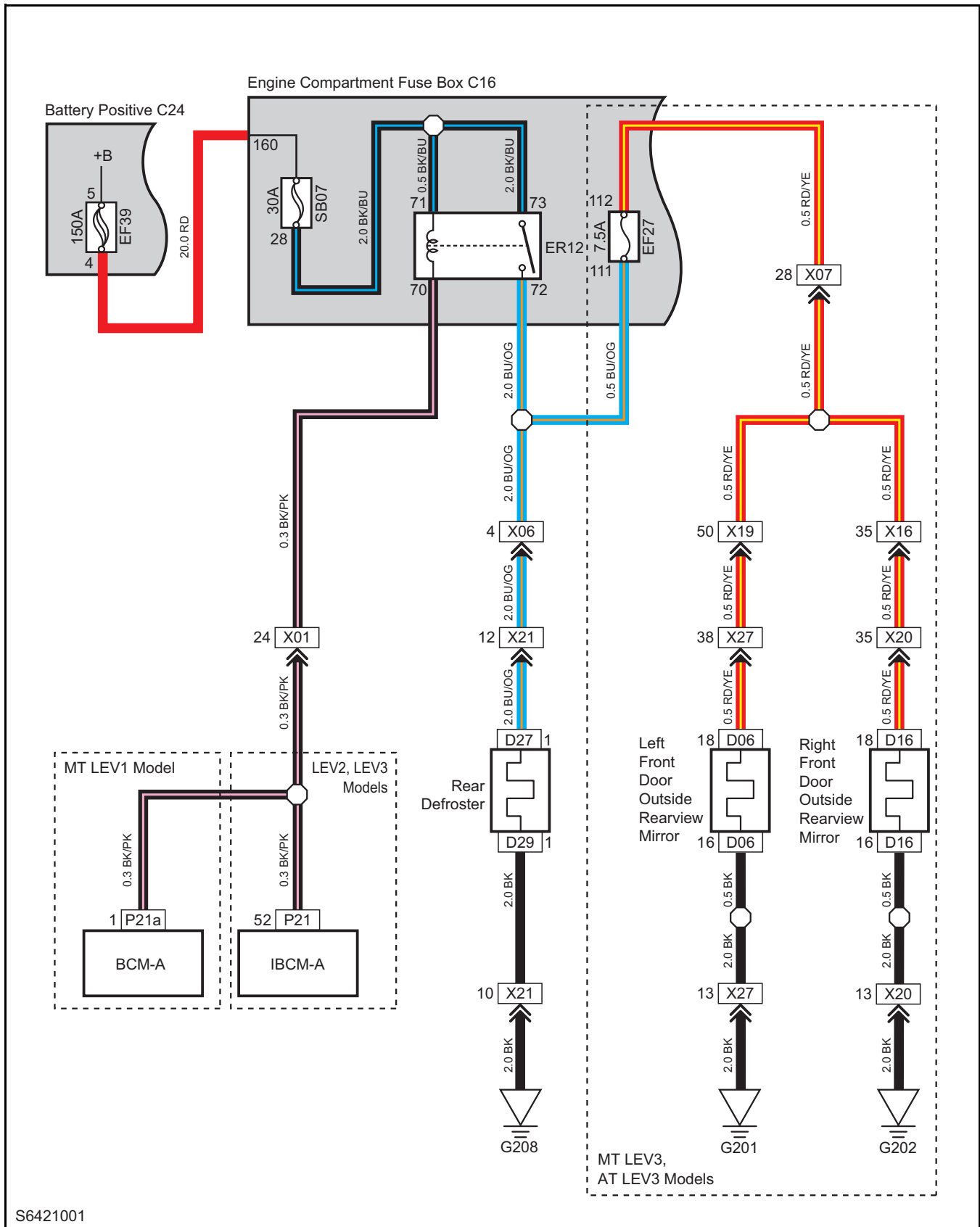


Right Rear Door Window Motor

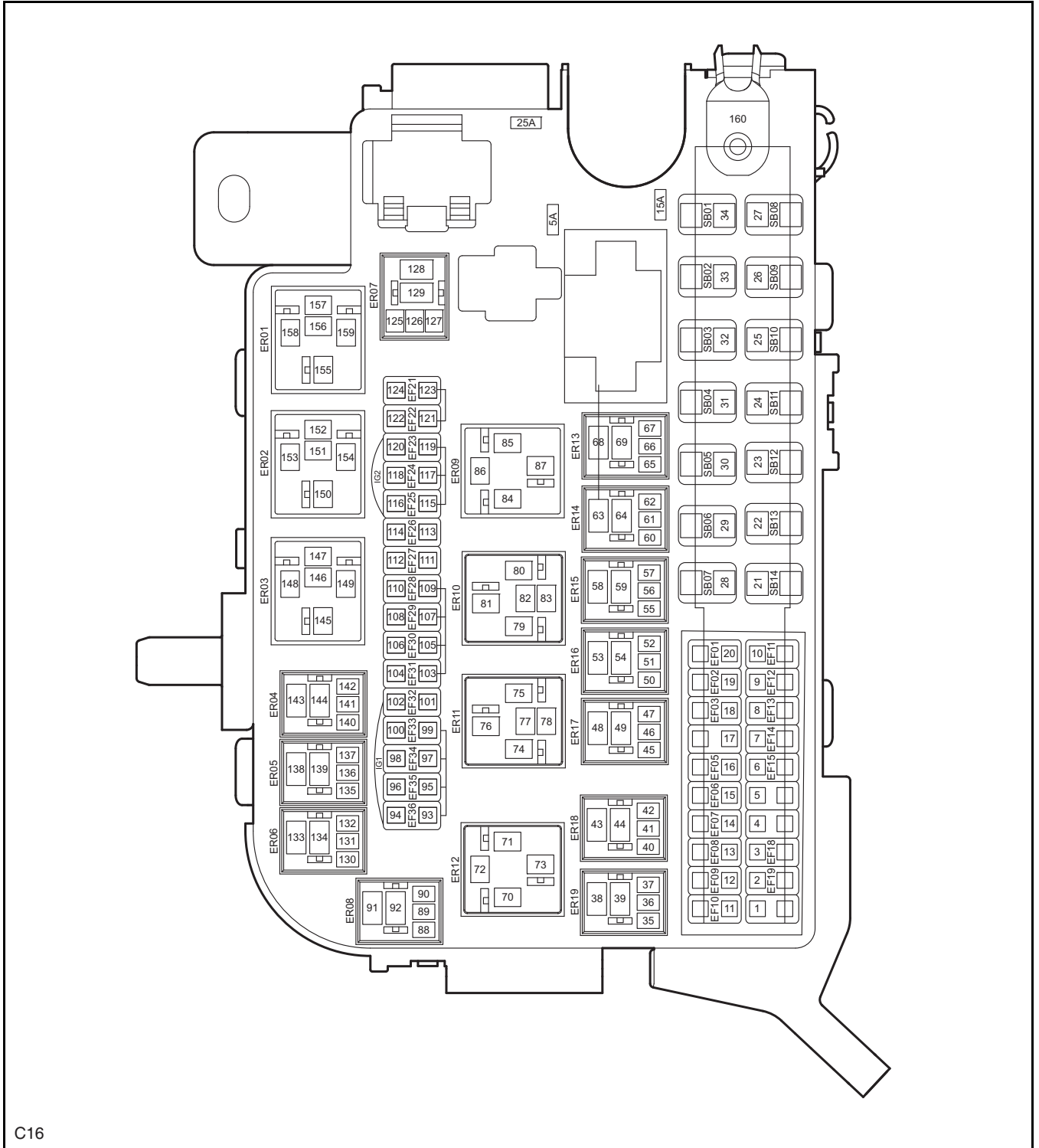


D25

Defroster



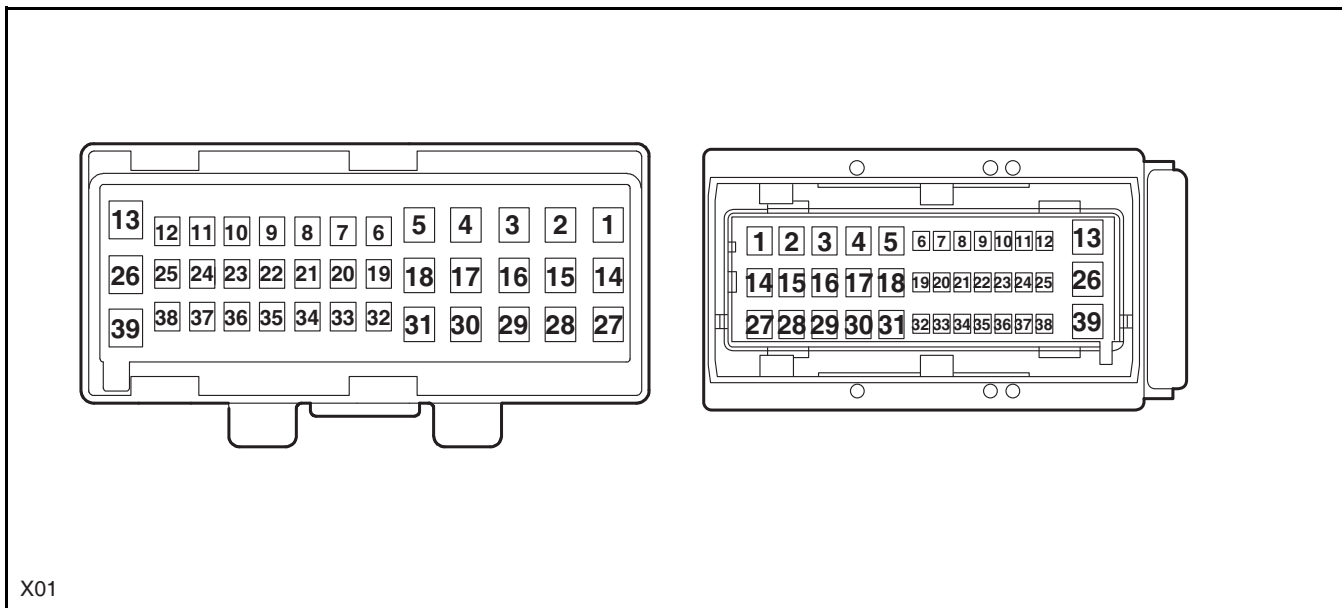
Engine Compartment Fuse Box



C16

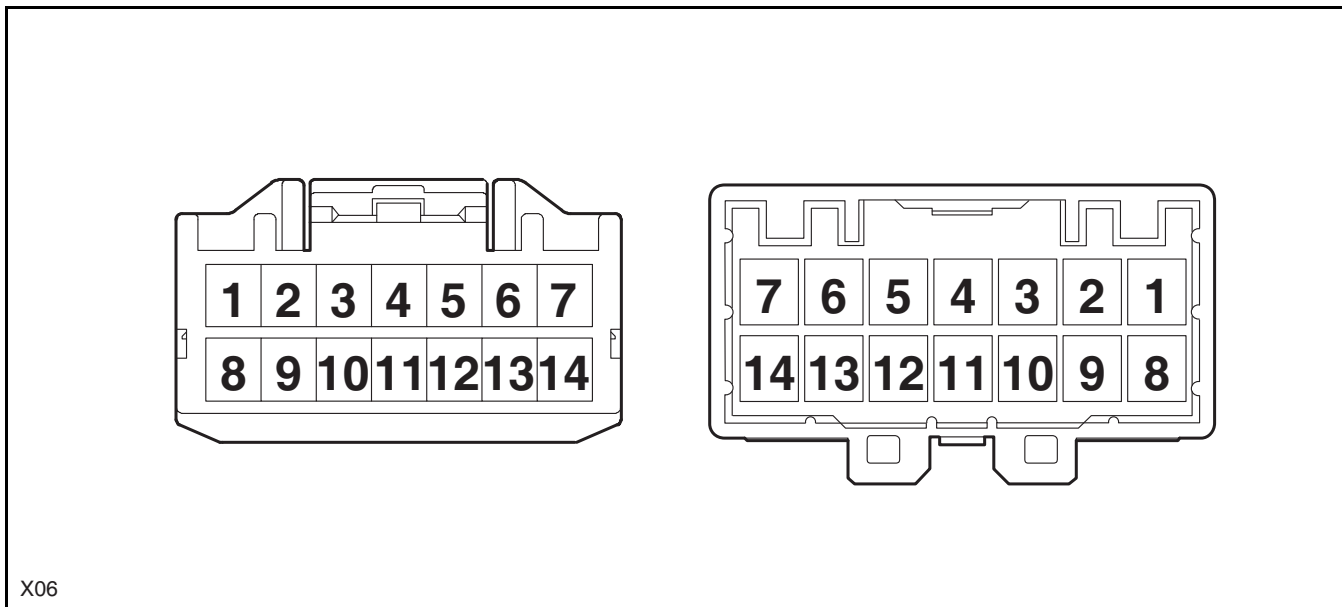
Engine Compartment Wiring Harness to Instrument Panel Wiring Harness E

Instrument Panel Wiring Harness to Engine Compartment Wiring Harness E



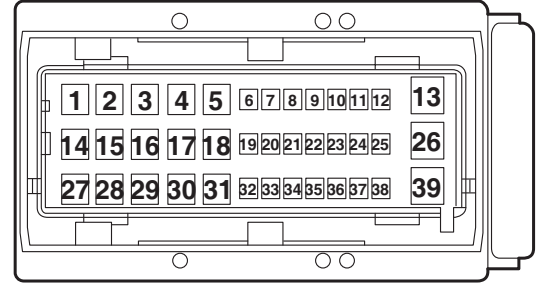
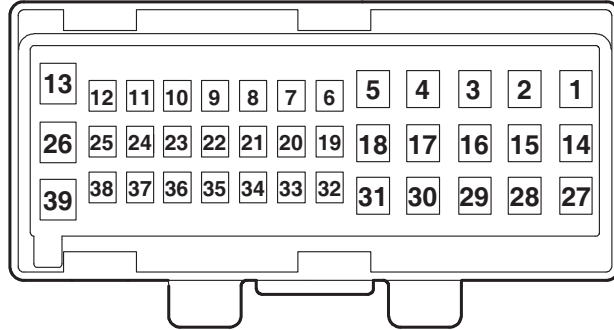
Engine Compartment Wiring Harness to Chassis Wiring Harness A

Chassis Wiring Harness to Engine Compartment Wiring Harness A



Engine Compartment Wiring Harness to Instrument Panel Wiring Harness A

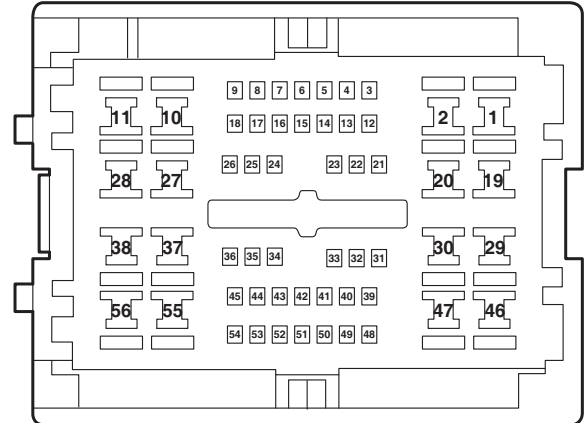
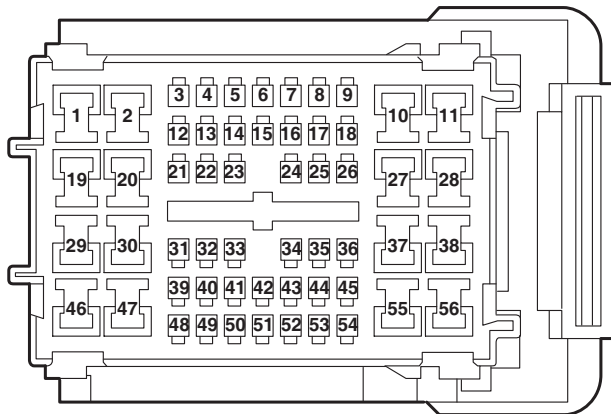
Instrument Panel Wiring Harness to Engine Compartment Wiring Harness A



X07

Instrument Panel Wiring Harness to Chassis Wiring Harness C

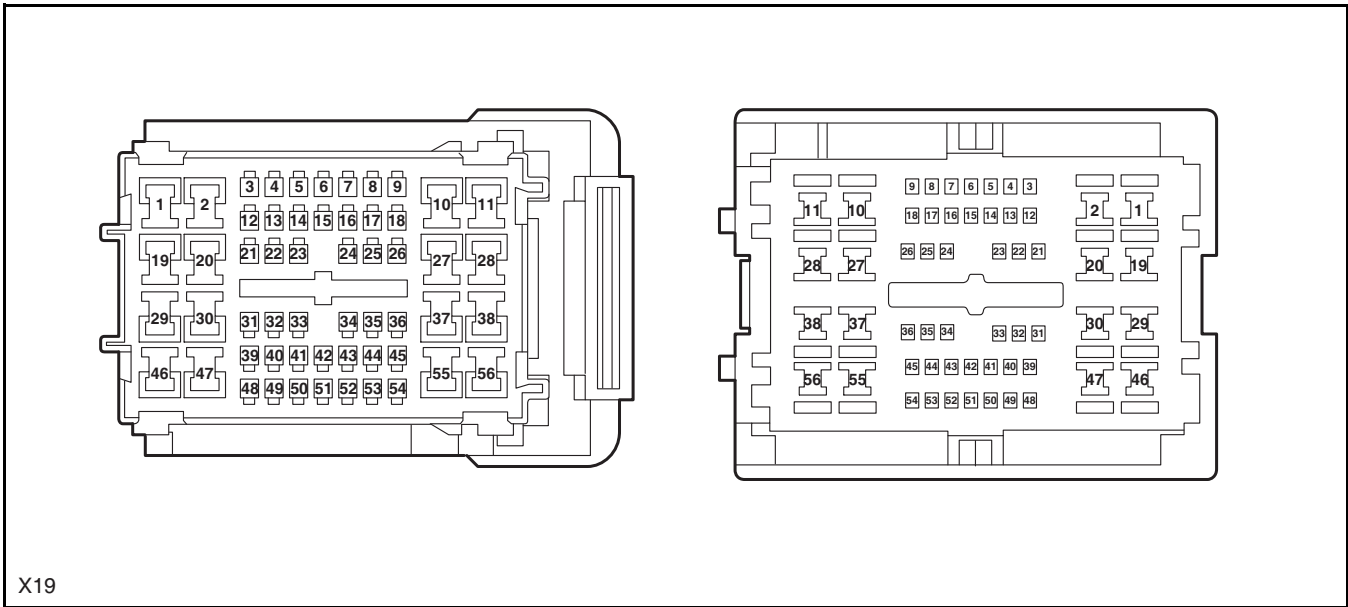
Chassis Wiring Harness to Instrument Panel Wiring Harness C



X16

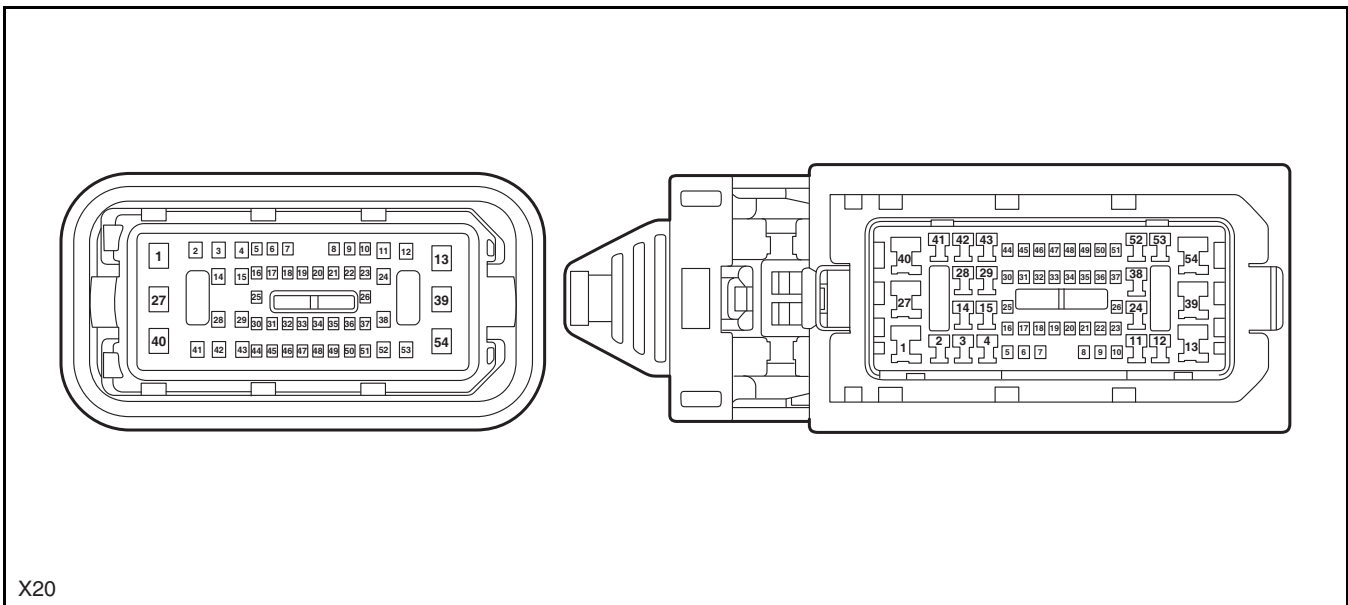
Instrument Panel Wiring Harness to Chassis Wiring Harness A

Chassis Wiring Harness to Instrument Panel Wiring Harness A



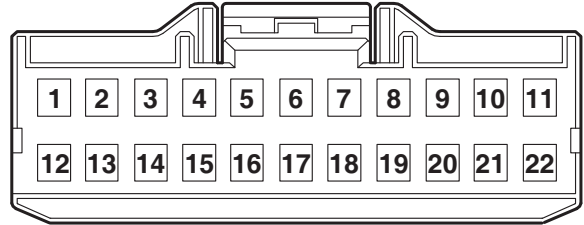
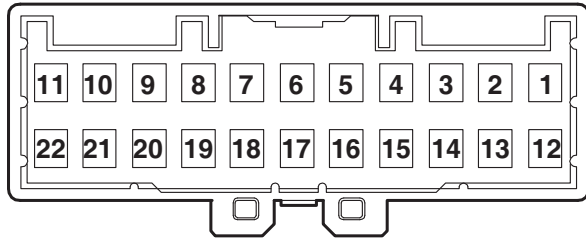
Chassis Wiring Harness to Right Front Door Wiring Harness

Right Front Door Wiring Harness to Chassis Wiring Harness



Chassis Wiring Harness to Back Door
Wiring Harness

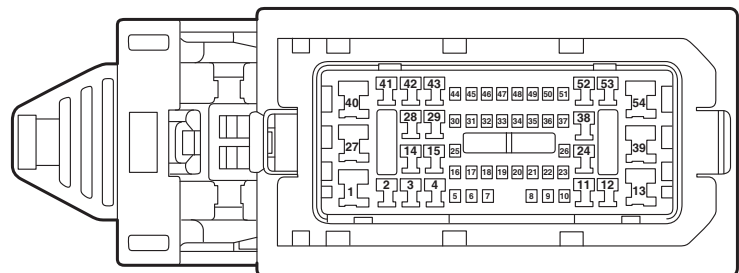
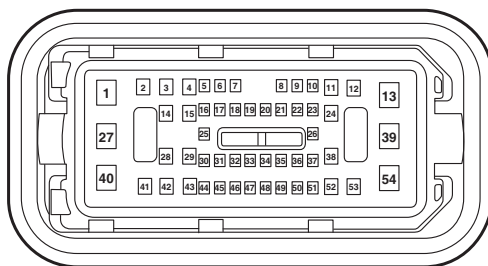
Back Door Wiring Harness to Chassis
Wiring Harness



X21

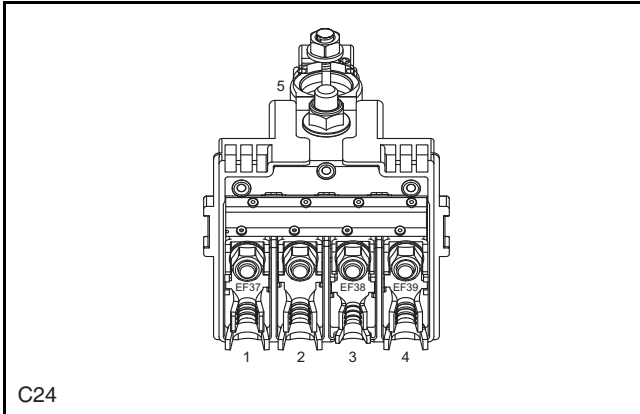
Chassis Wiring Harness to Left Front Door Wiring
Harness

Left Front Door Wiring Harness to Chassis Wiring
Harness



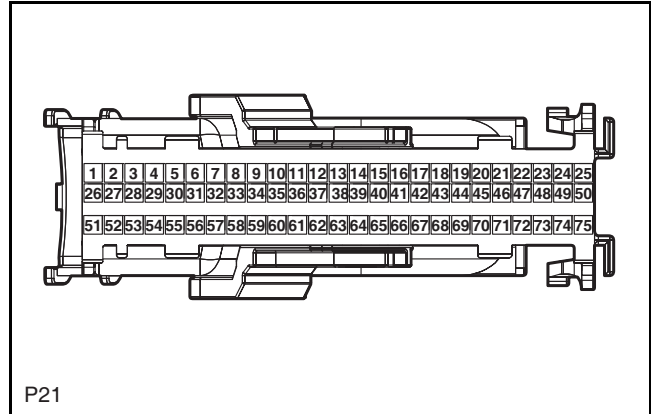
X27

Battery Positive



C24

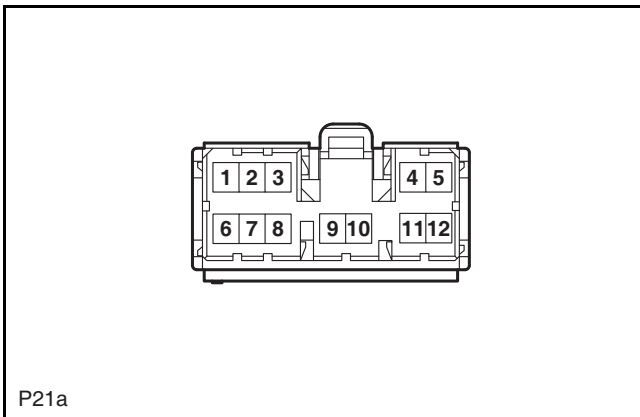
IBCM-A



P21

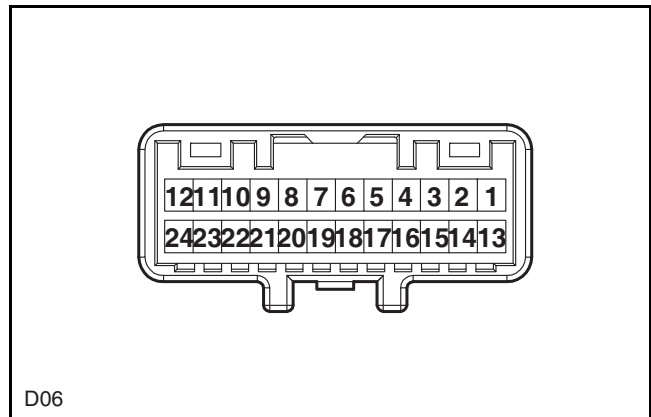
BCM-A

Left Front Door Outside Rearview Mirror



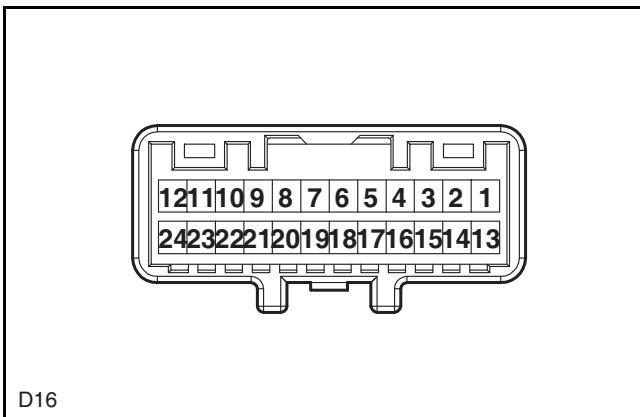
P21a

Right Front Door Outside Rearview Mirror

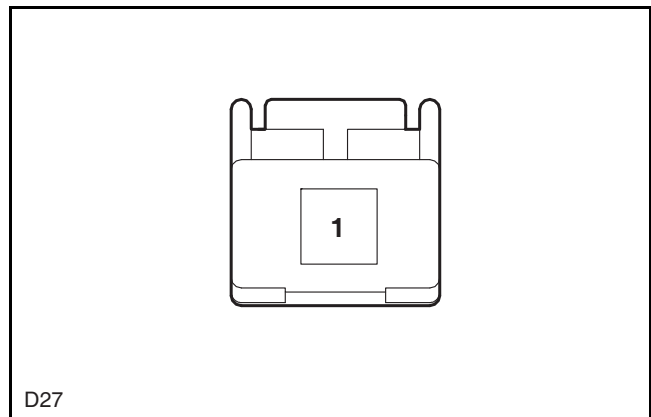


D06

Rear Defroster Power Supply

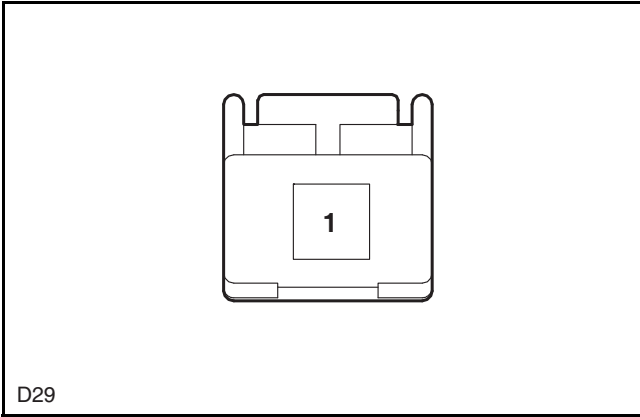


D16



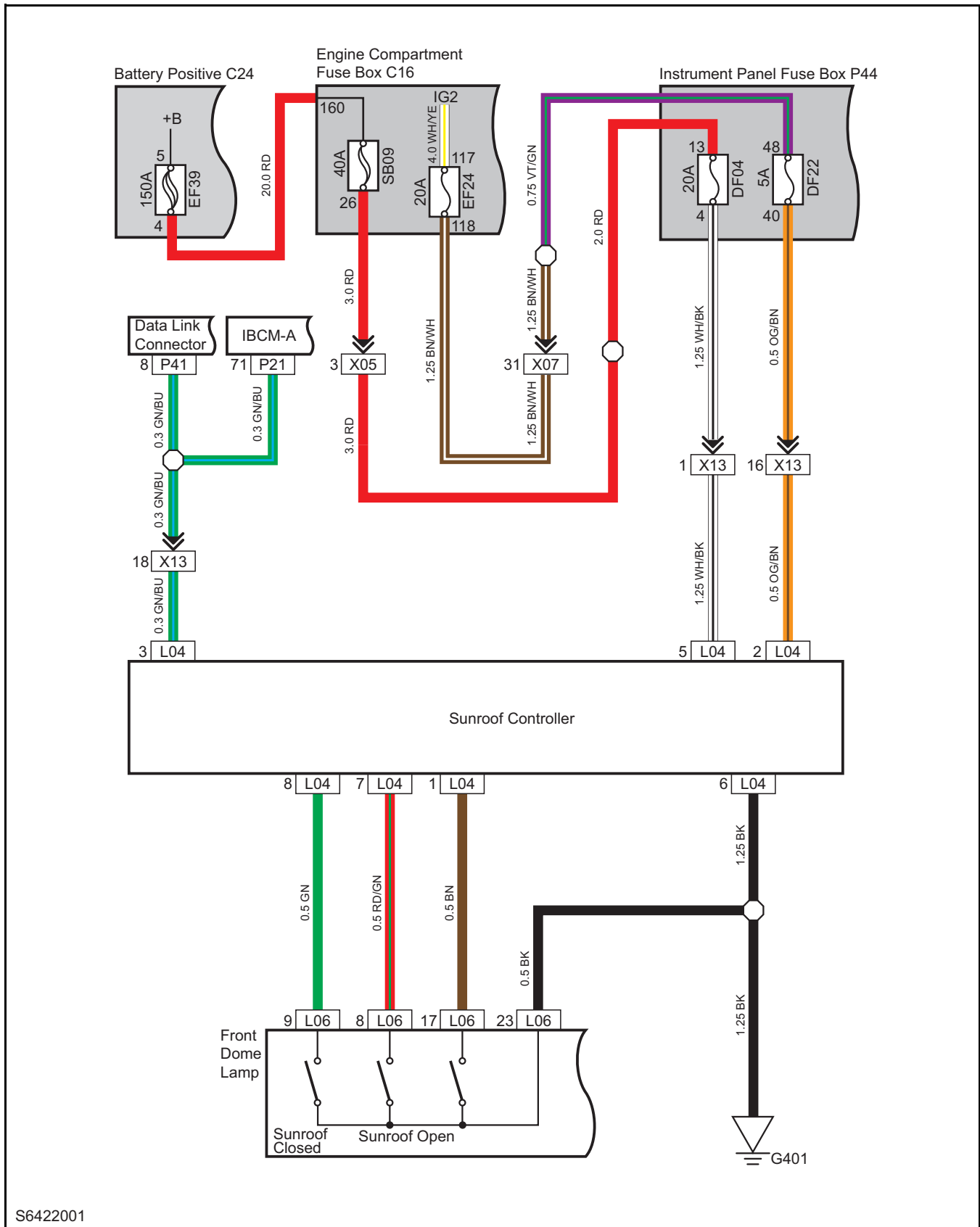
D27

Rear Defroster Grounding



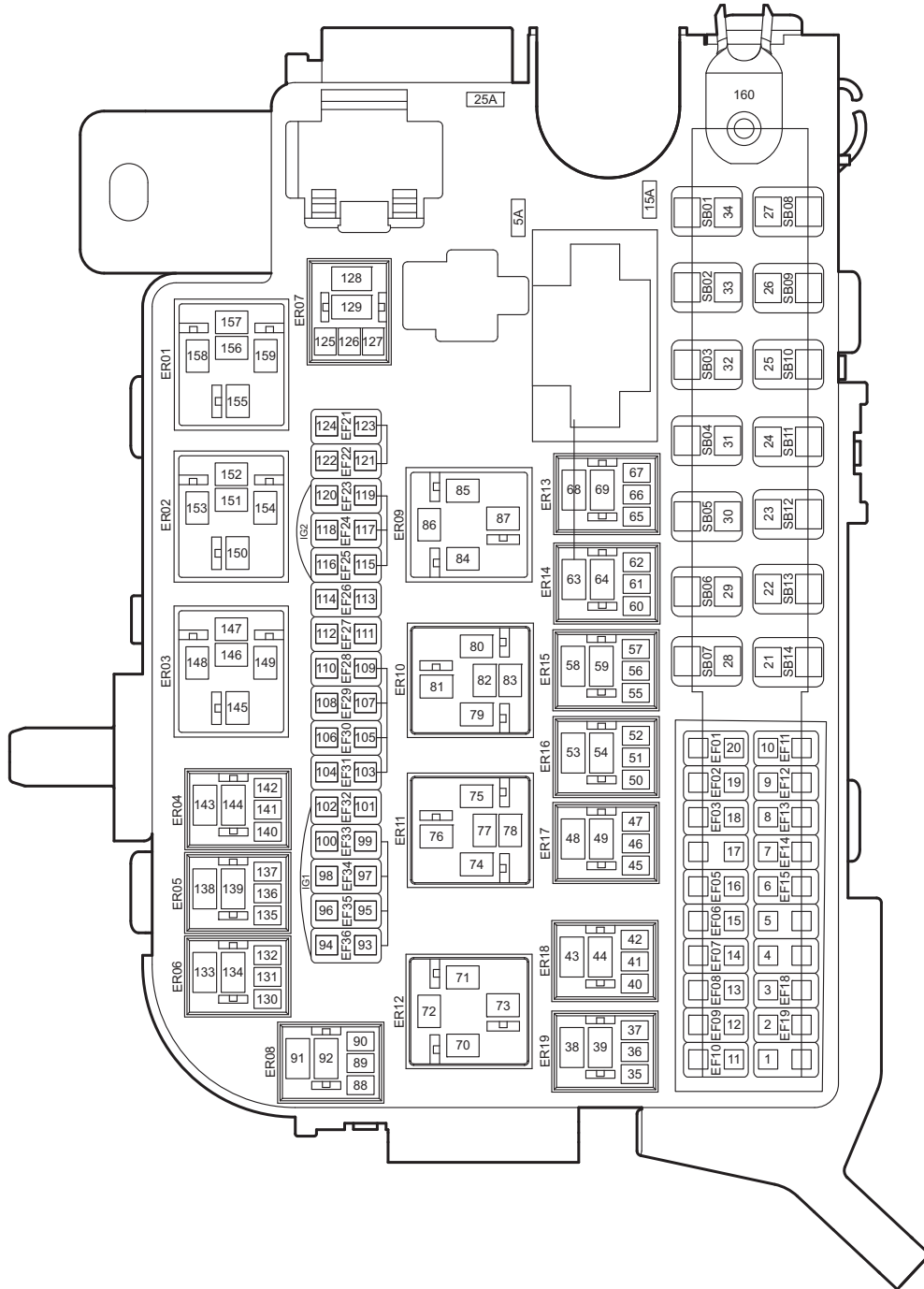
D29

Sunroof



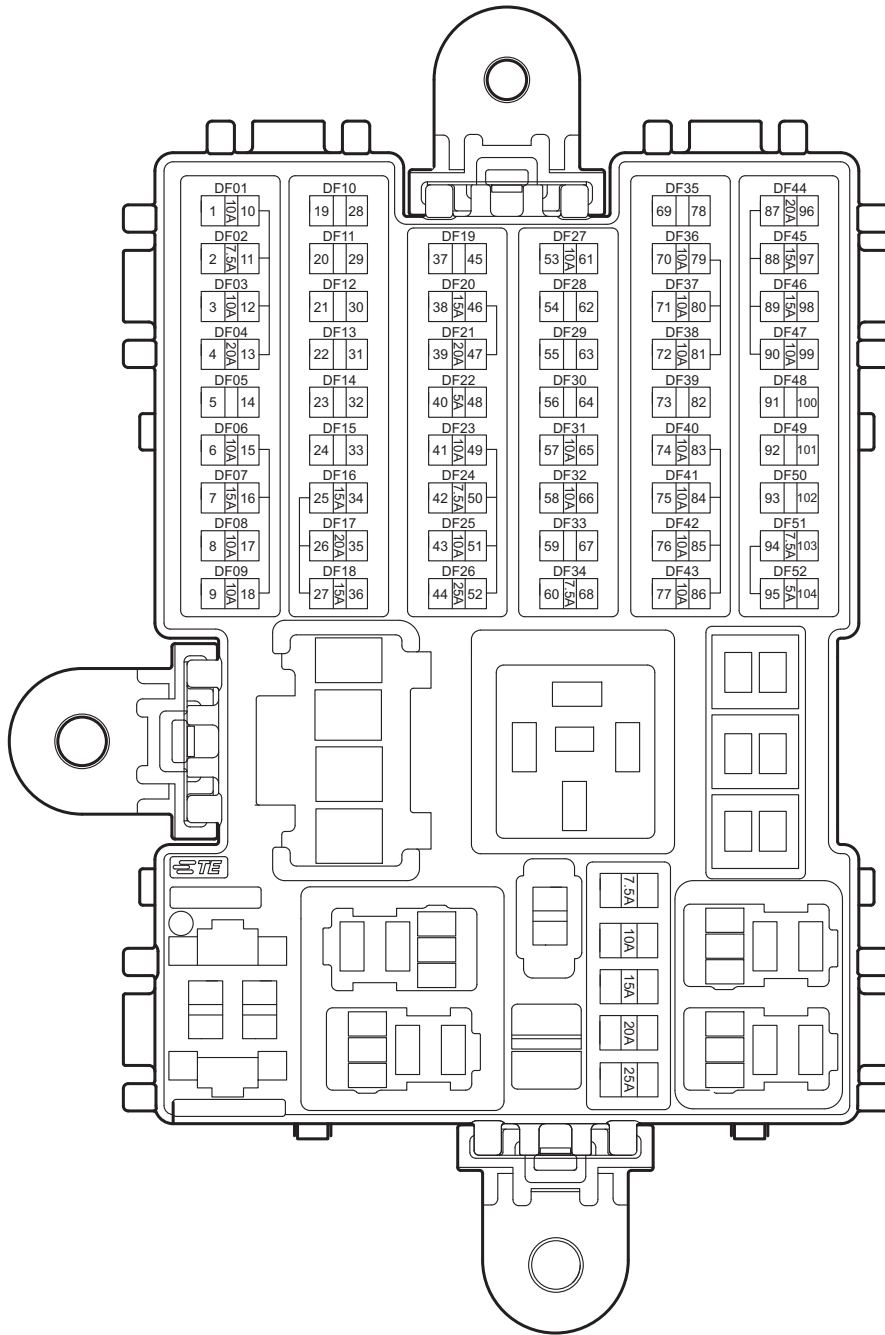
S6422001

Engine Compartment Fuse Box



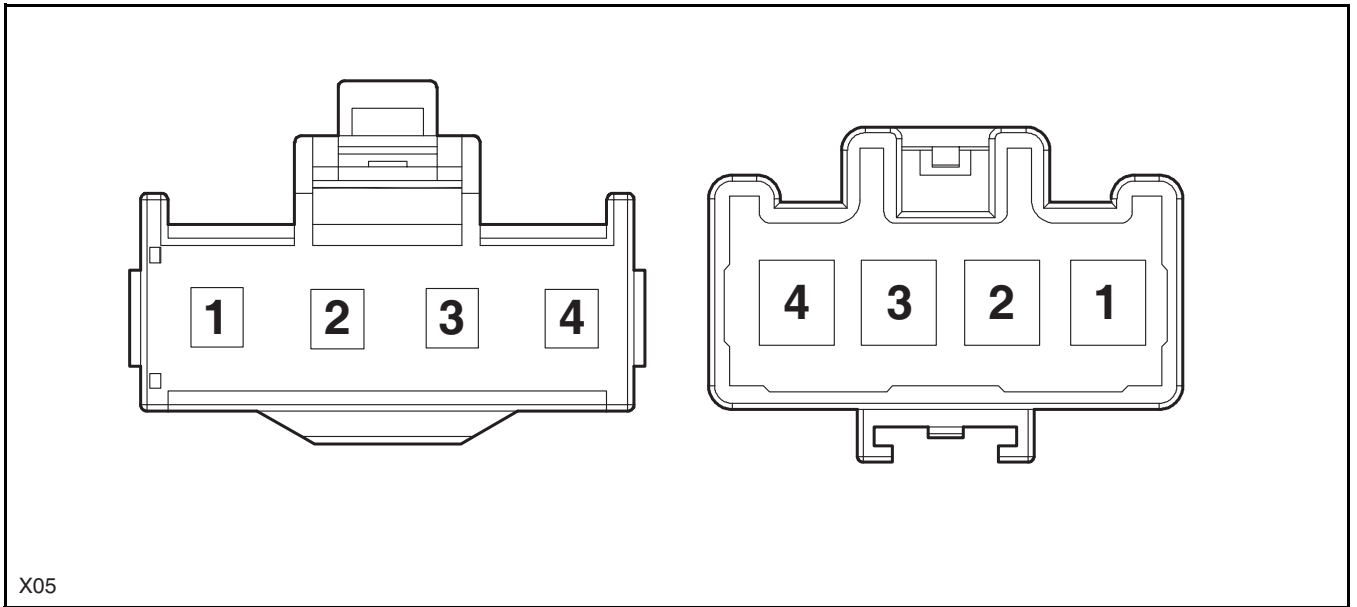
C16

Instrument Panel Fuse Box



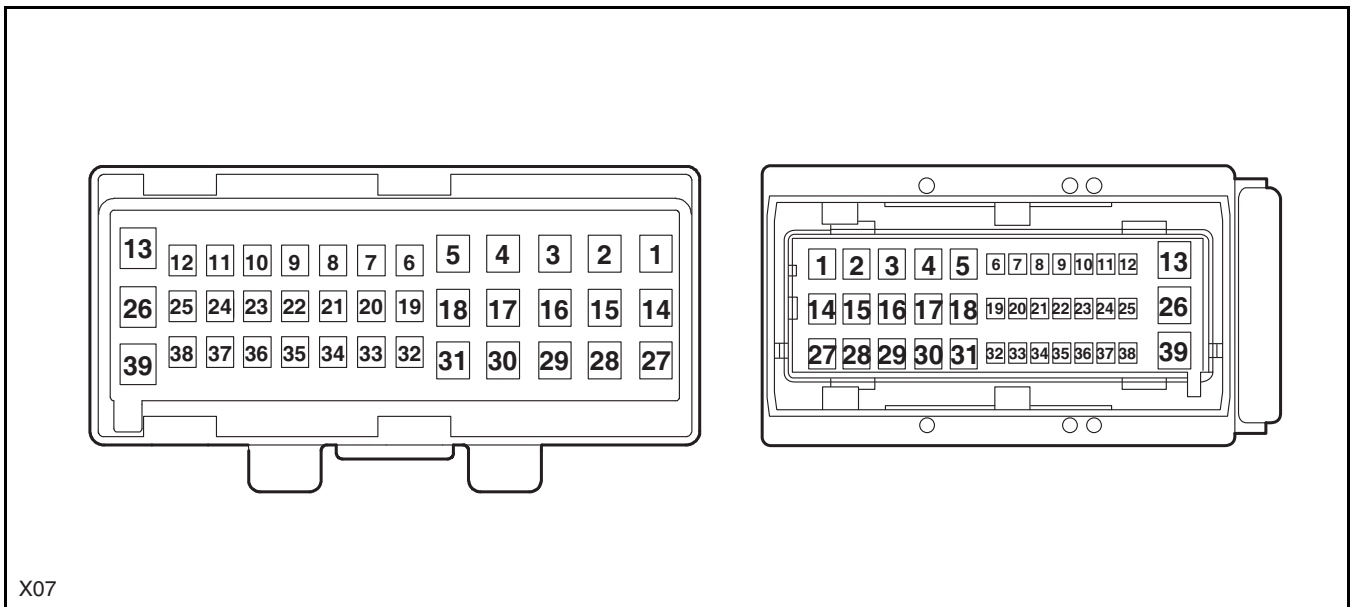
Engine Compartment Wiring Harness to Instrument Panel Wiring Harness C

Instrument Panel Wiring Harness to Engine Compartment Wiring Harness C



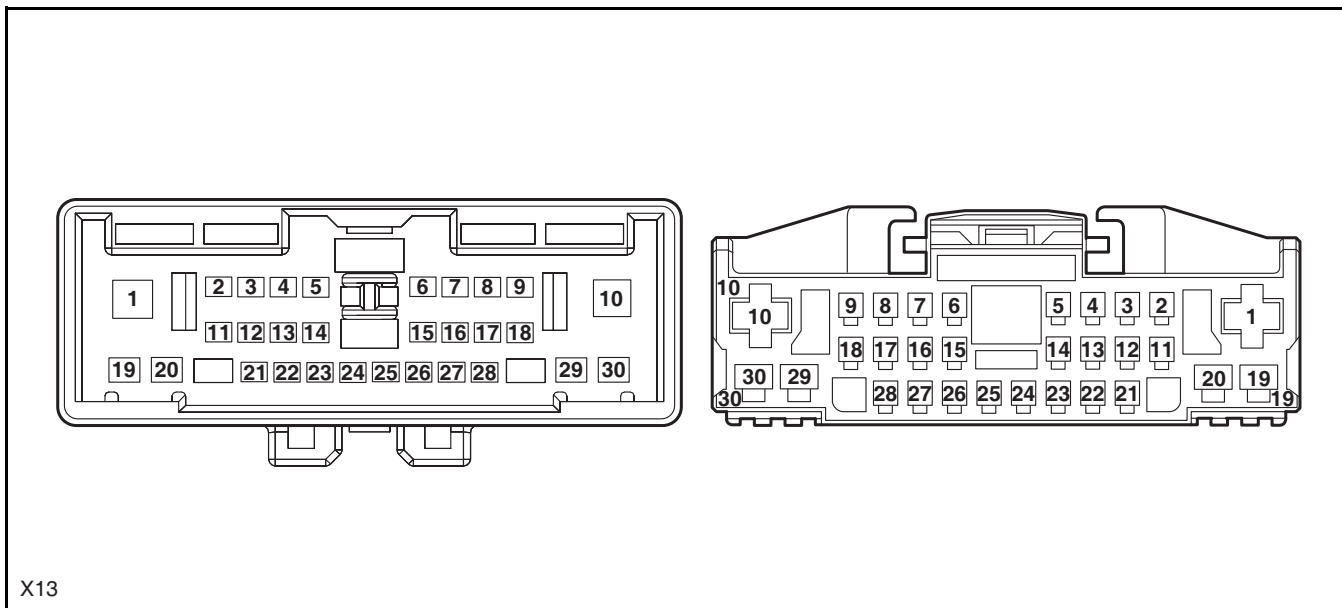
Engine Compartment Wiring Harness to Instrument Panel Wiring Harness A

Instrument Panel Wiring Harness to Engine Compartment Wiring Harness A



Instrument Panel Wiring Harness to Roof Wiring
Harness A

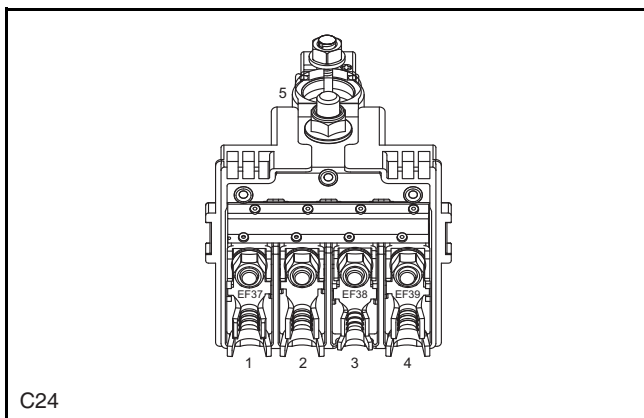
Roof Wiring Harness to Instrument Panel Wiring
Harness A



X13

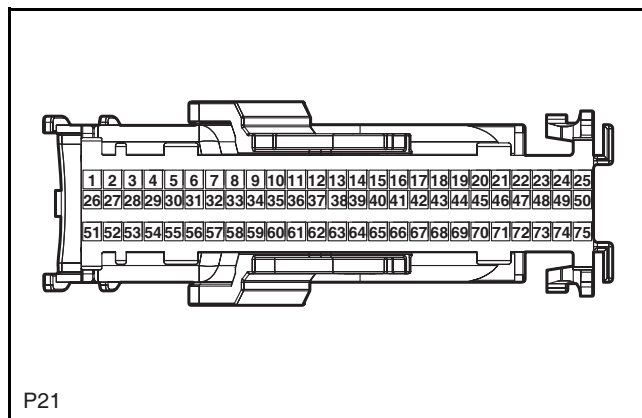
Battery Positive

IBCM-A



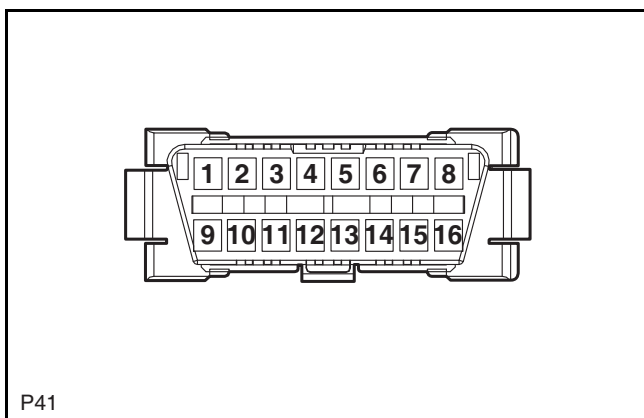
C24

Data Link Connector

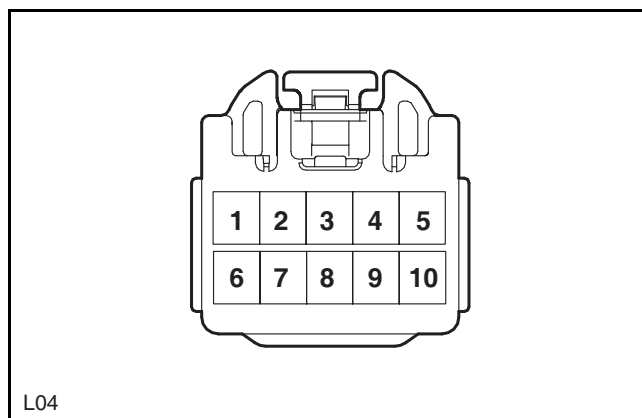


P21

Sunroof Controller

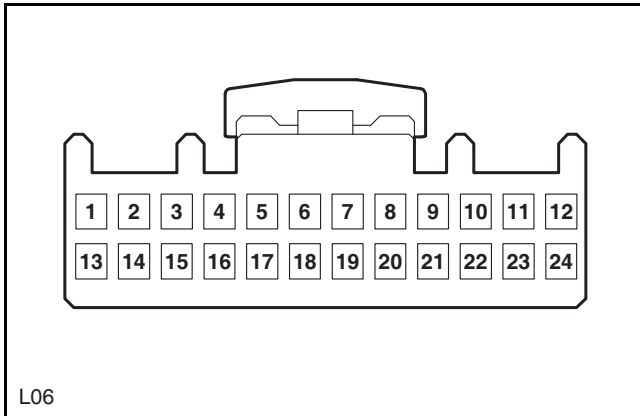


P41

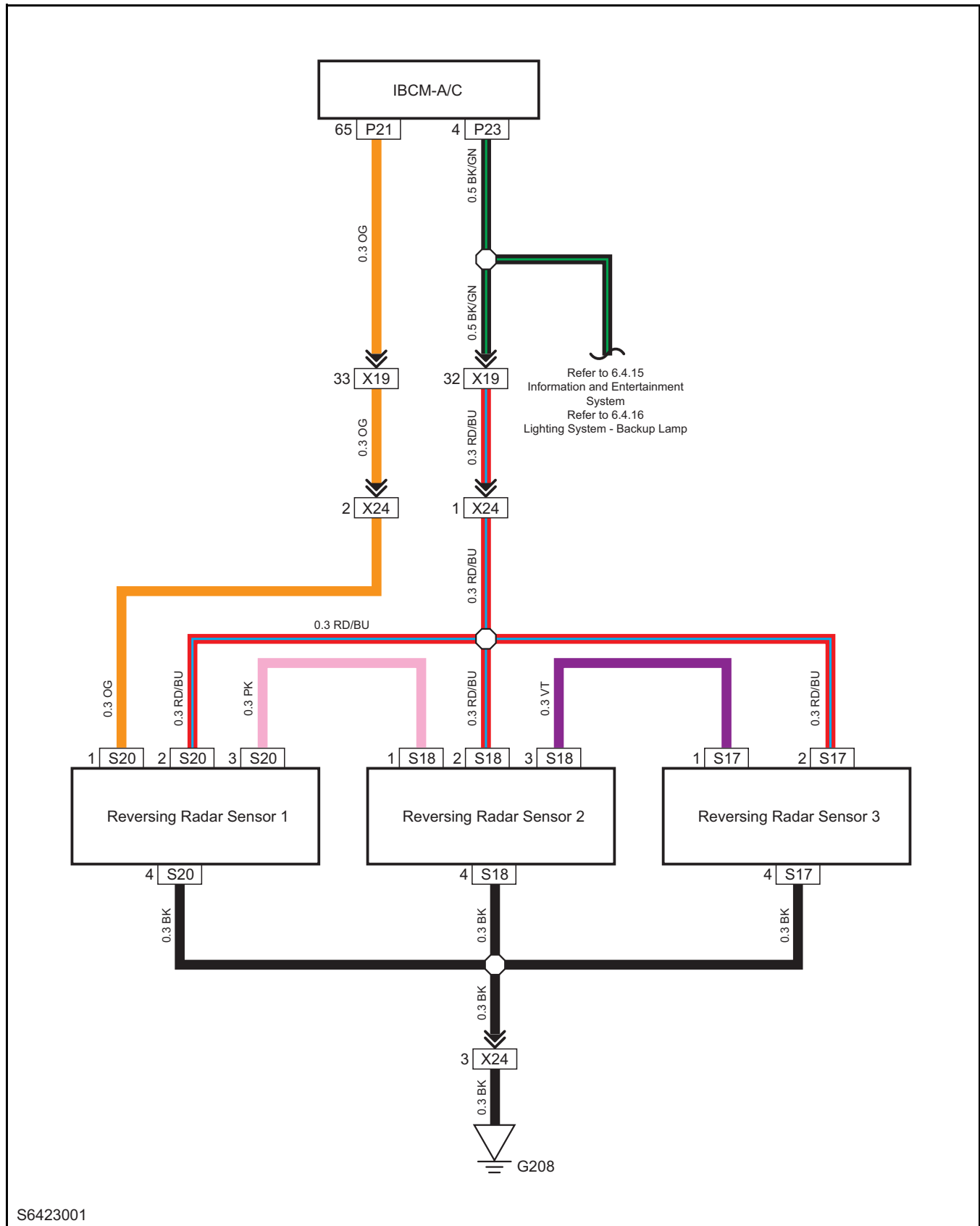


L04

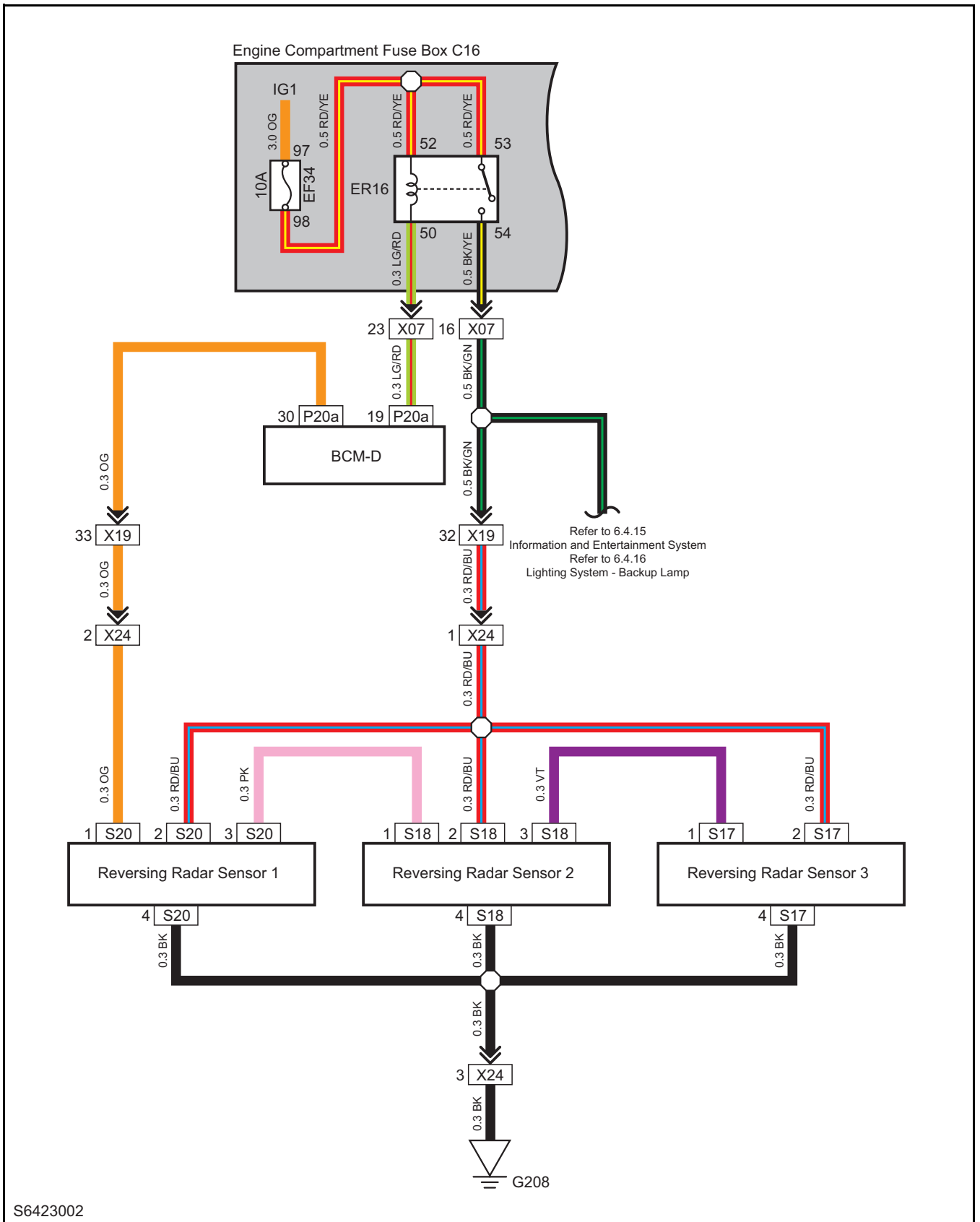
Front Dome Lamp



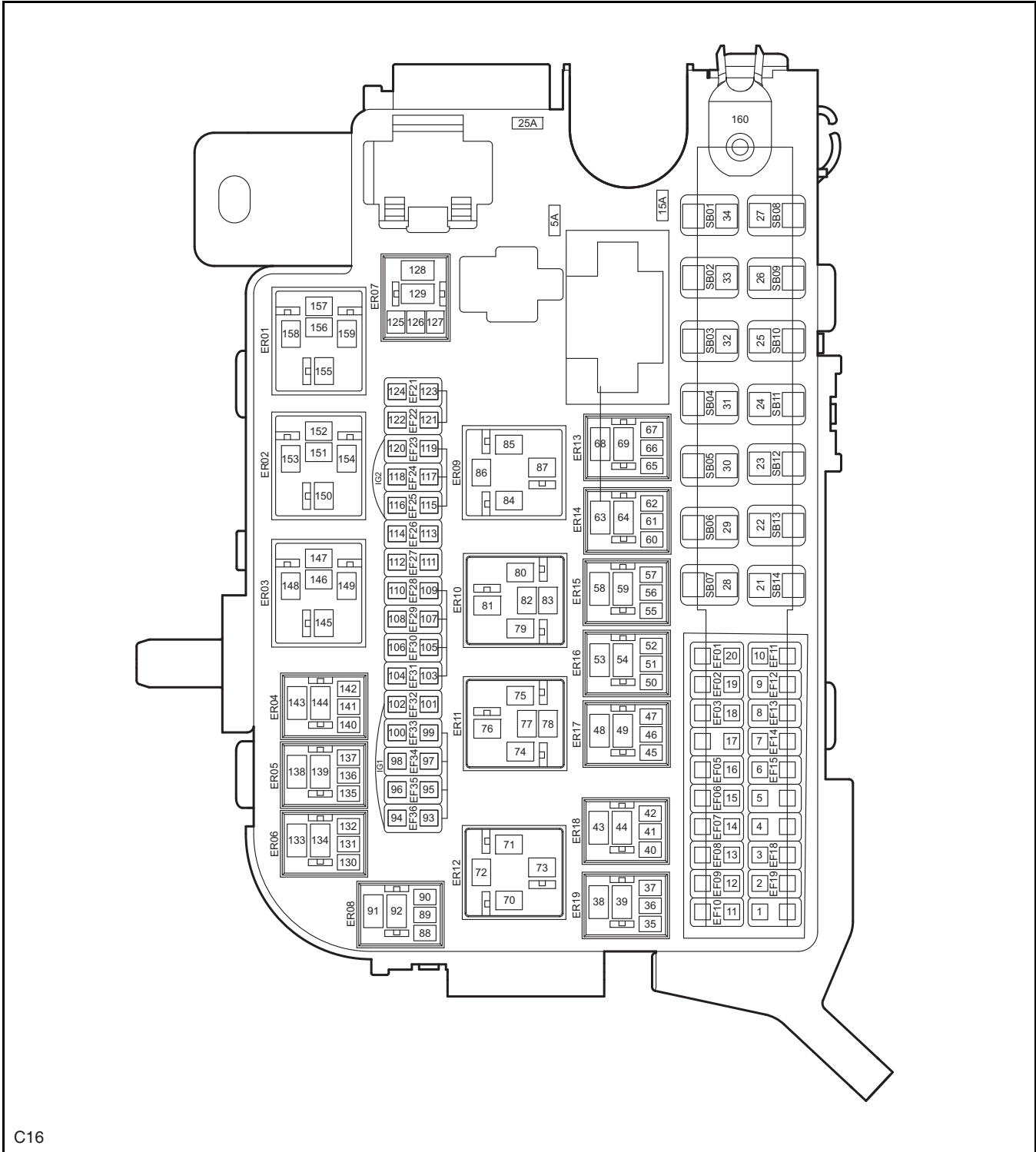
Parking Assist System (for LEV2, LEV3 Models)



Parking Assist System (for MT LEV1 Model)

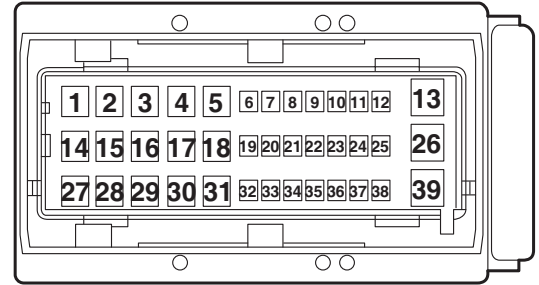
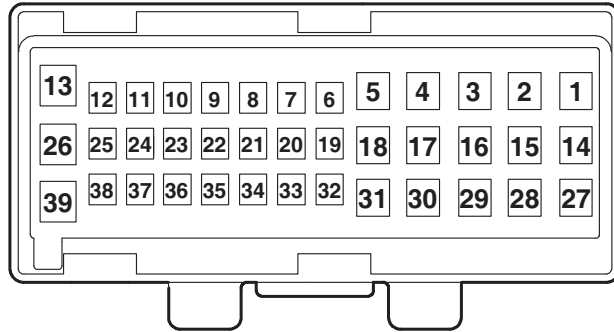


Engine Compartment Fuse Box



Engine Compartment Wiring Harness to Instrument Panel Wiring Harness A

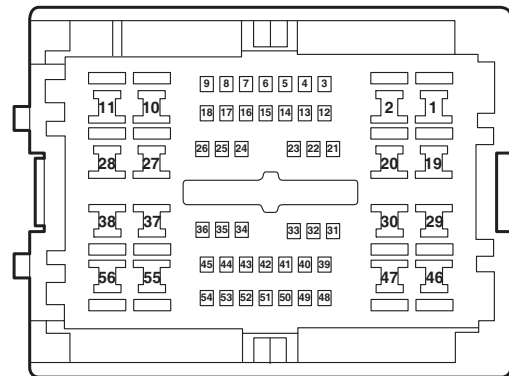
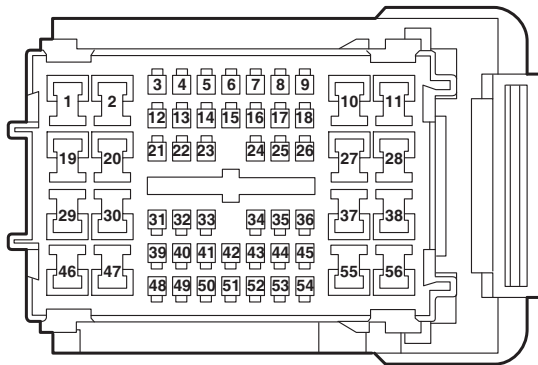
Instrument Panel Wiring Harness to Engine Compartment Wiring Harness A



X07

Instrument Panel Wiring Harness to Chassis Wiring Harness A

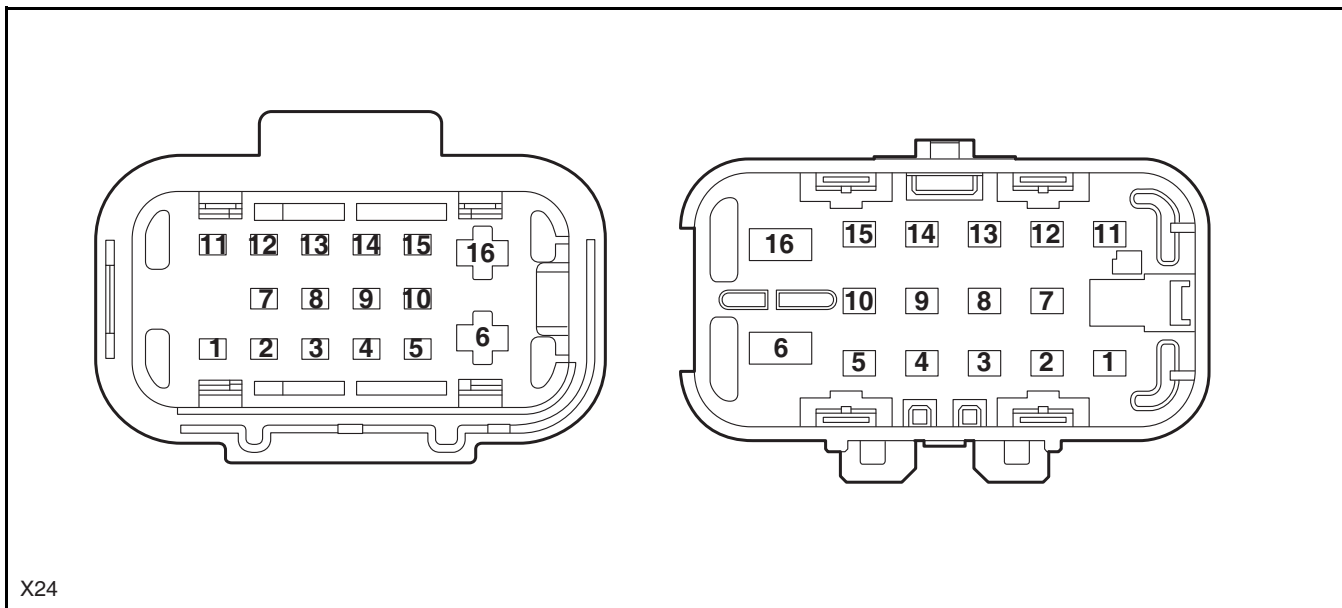
Chassis Wiring Harness to Instrument Panel Wiring Harness A



X19

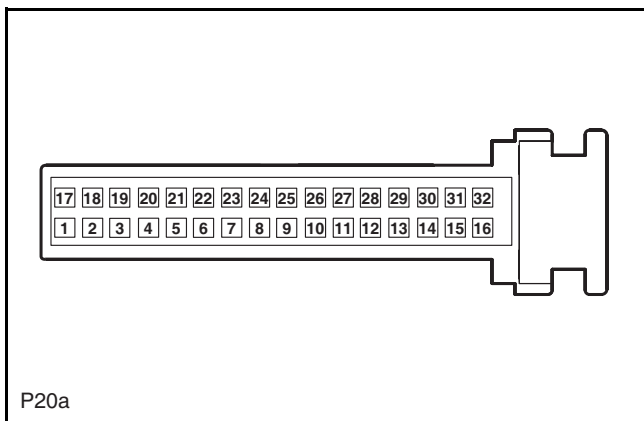
Chassis Wiring Harness to Rear Bumper Wiring Harness

Rear Bumper Wiring Harness to Chassis Wiring Harness

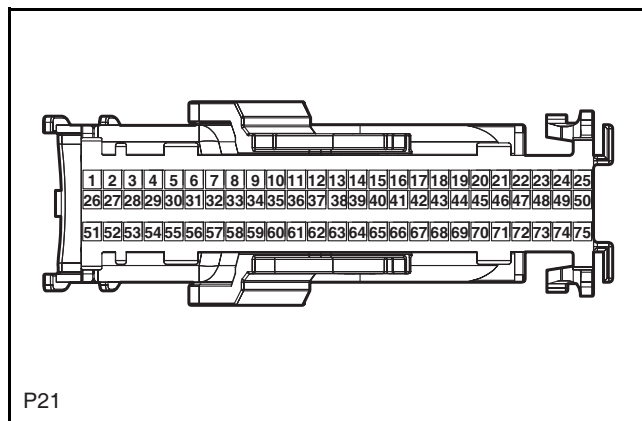


BCM-D

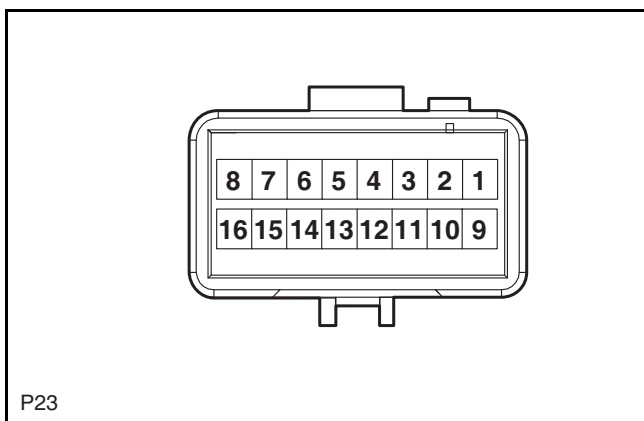
IBCM-A



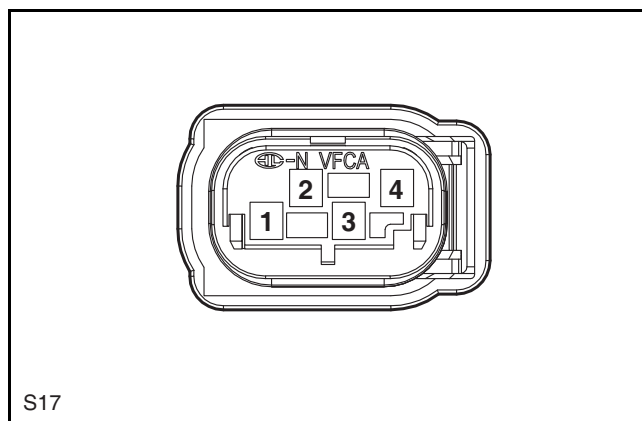
IBCM-C



Reversing Radar Sensor 3

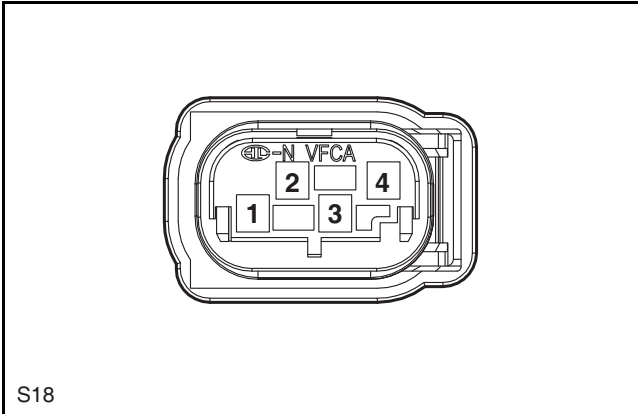


P23

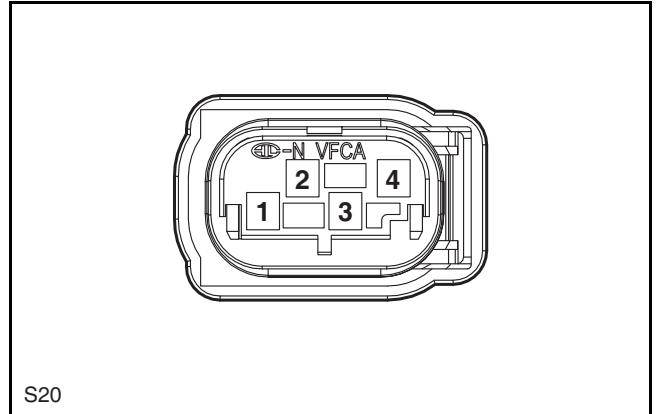


S17

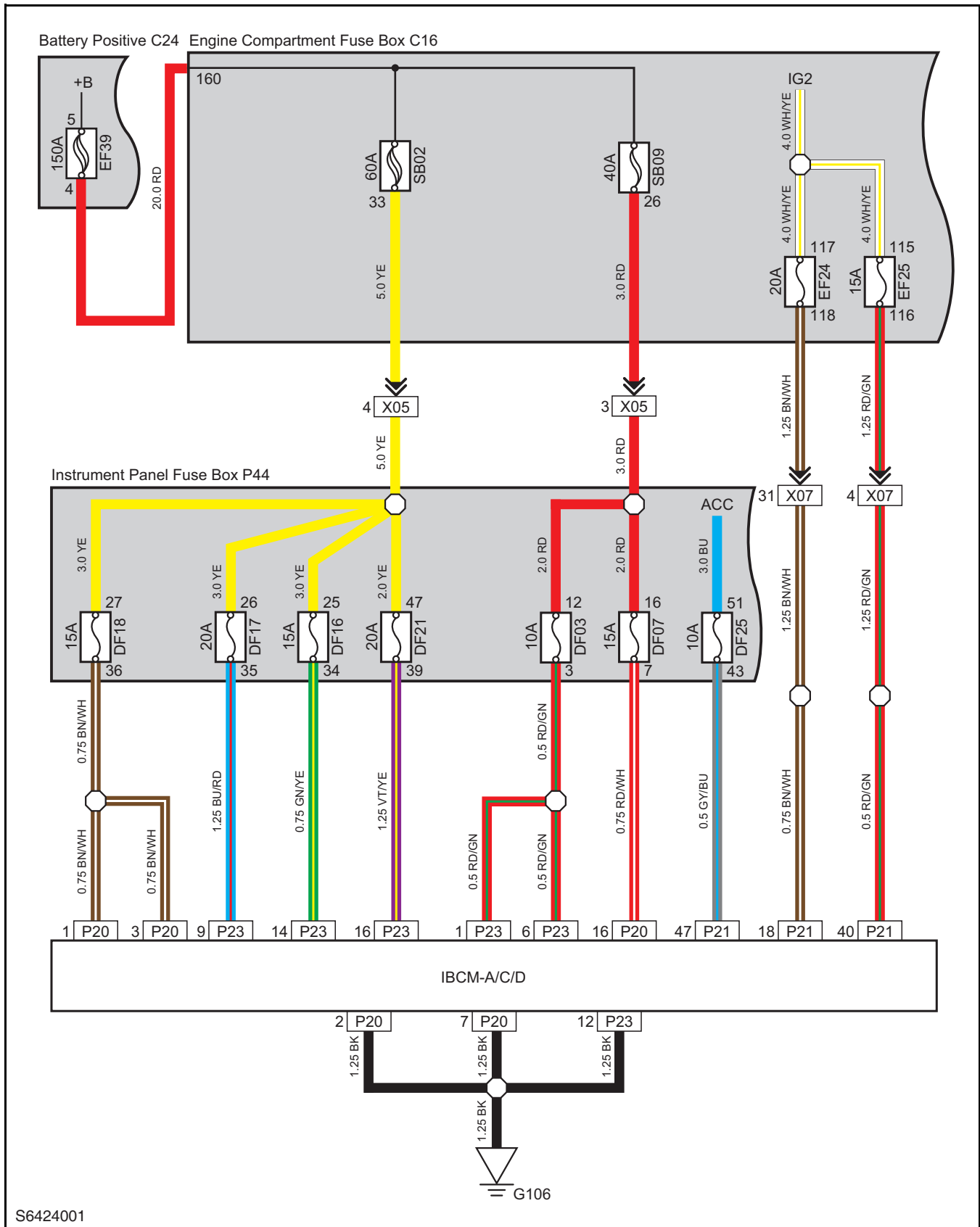
Reversing Radar Sensor 2



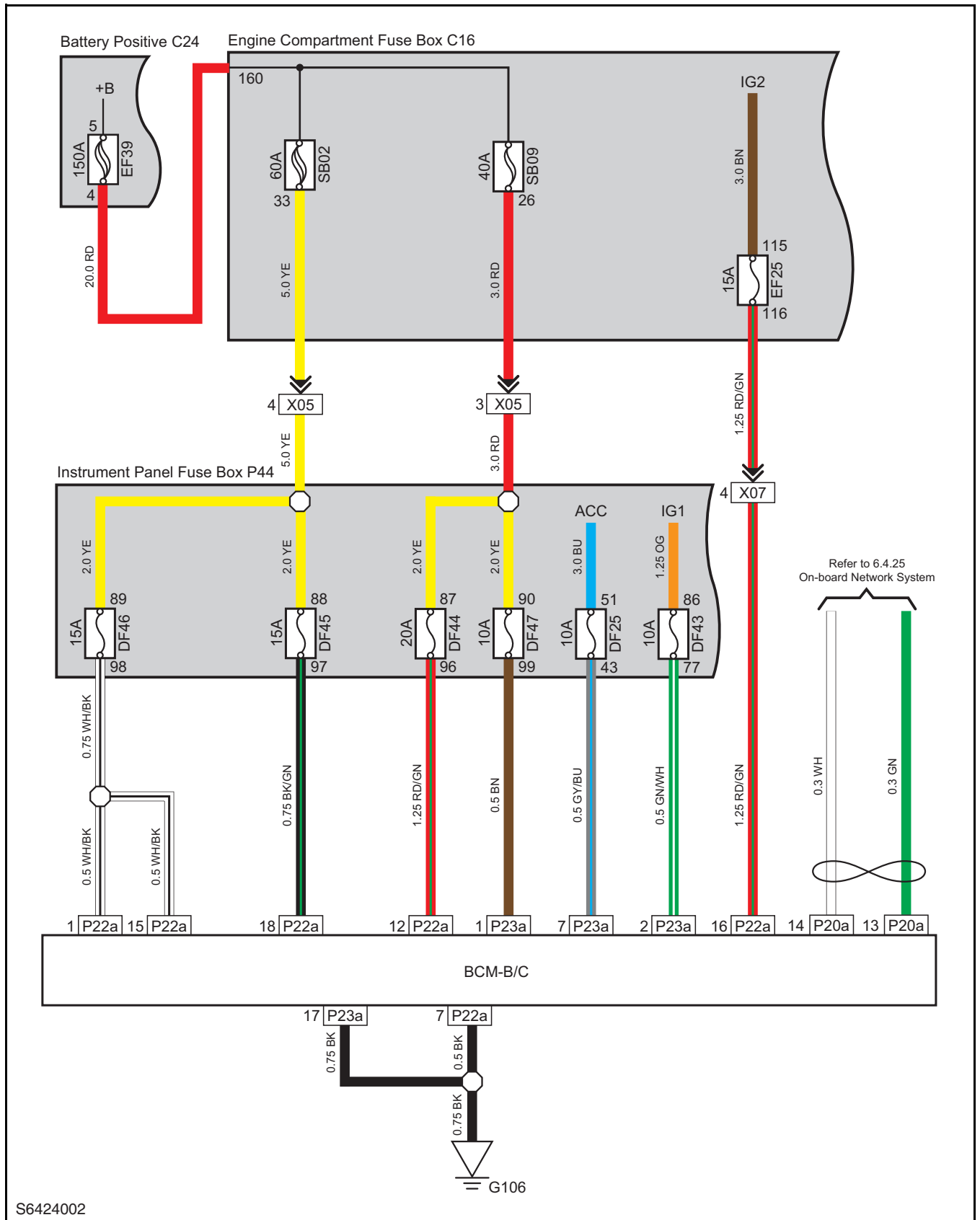
Reversing Radar Sensor 1



Body Control System (for LEV2, LEV3 Models)

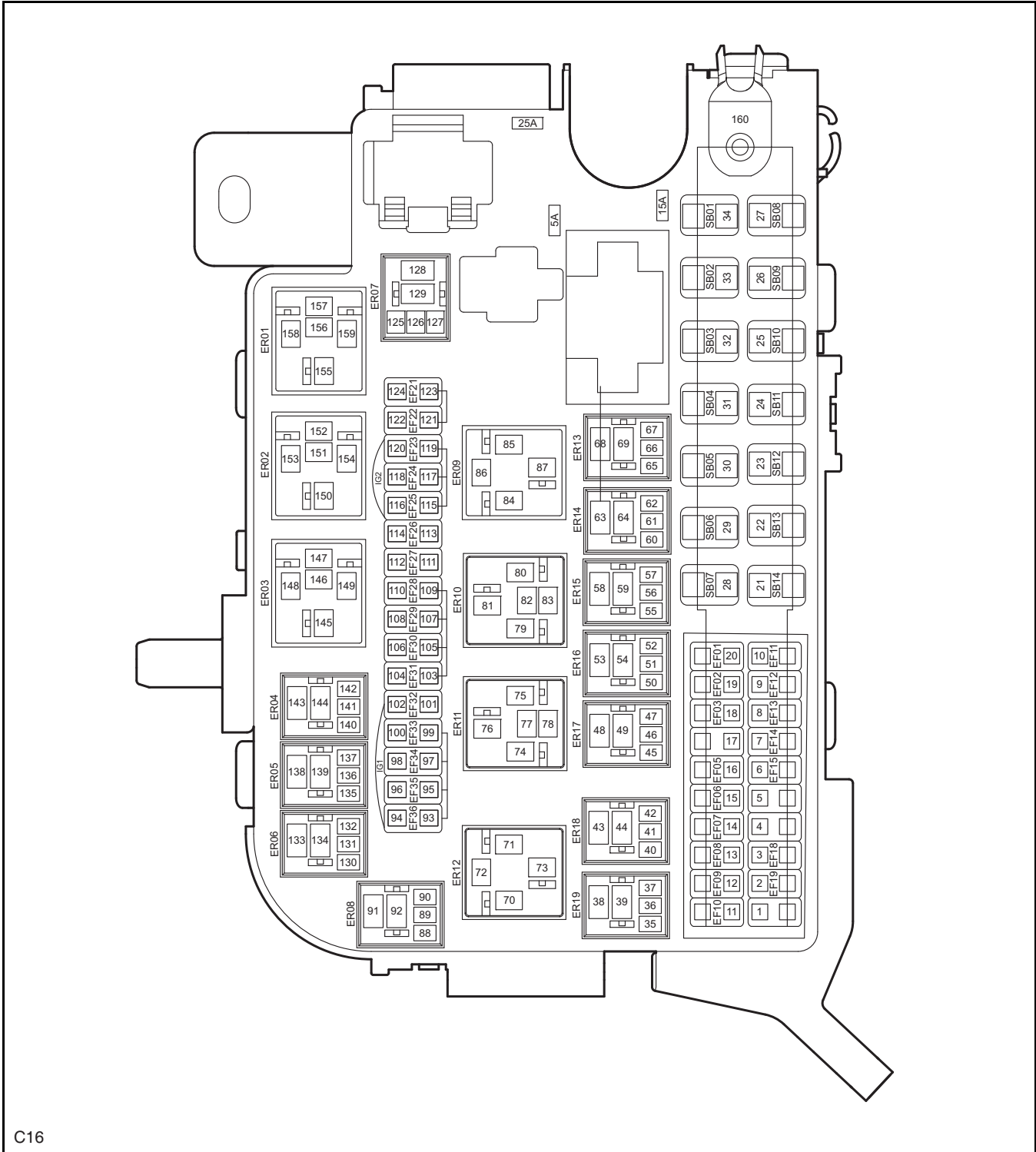


Body Control System (for MT LEV1 Model)

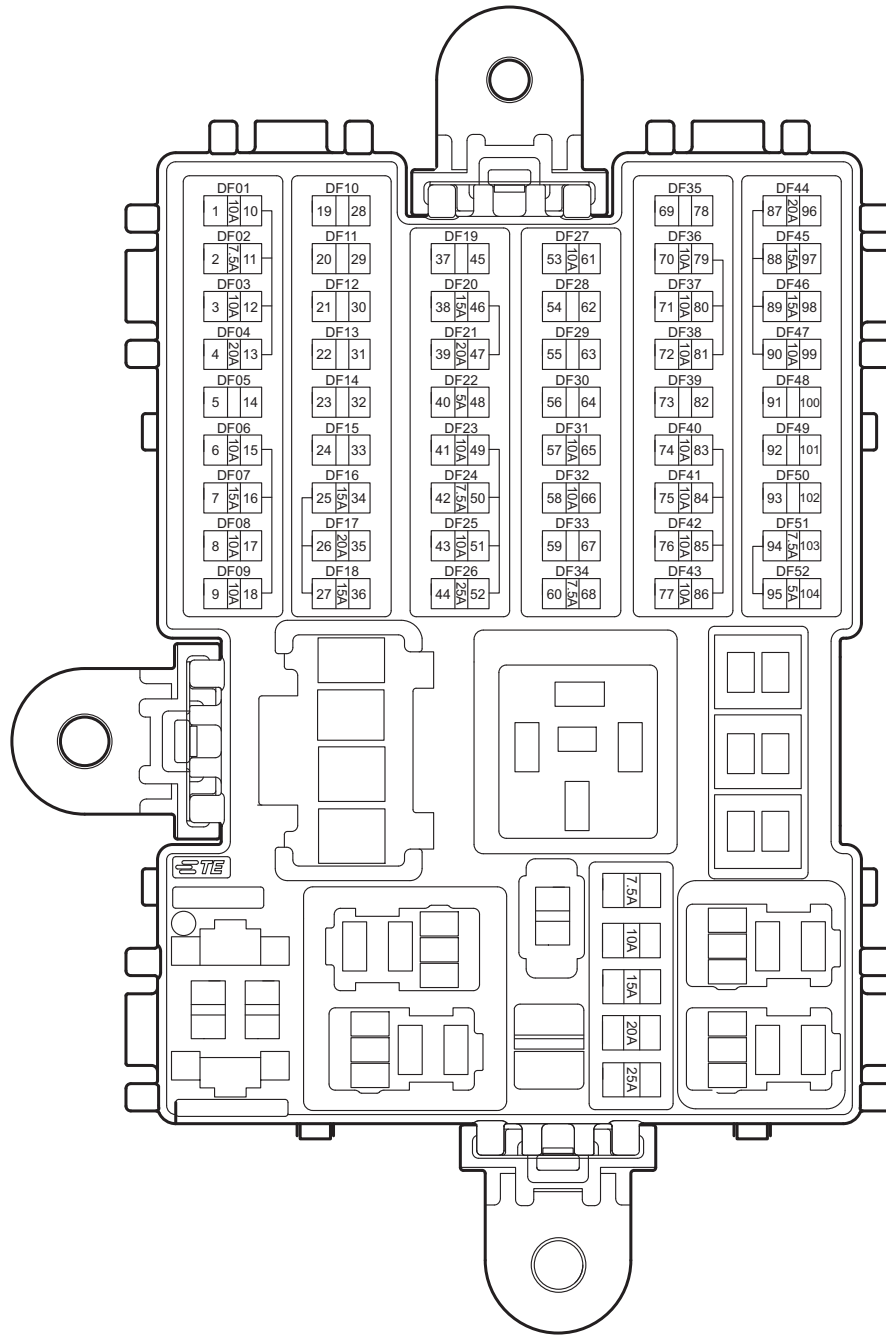


S6424002

Engine Compartment Fuse Box

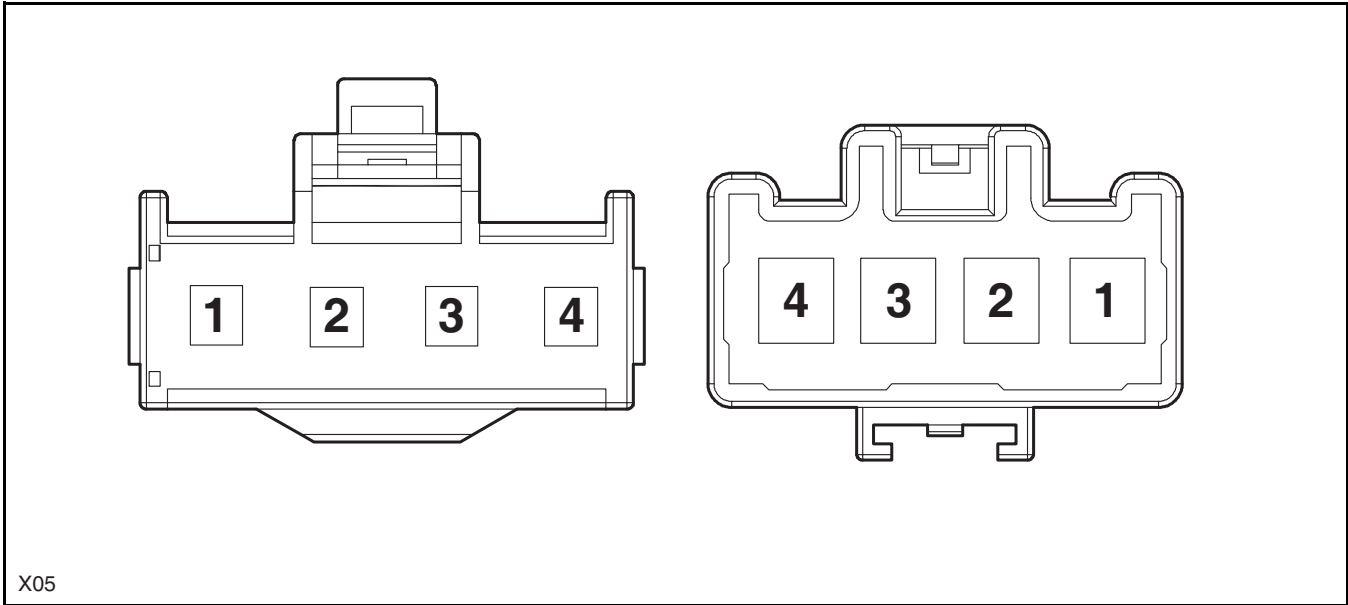


Instrument Panel Fuse Box



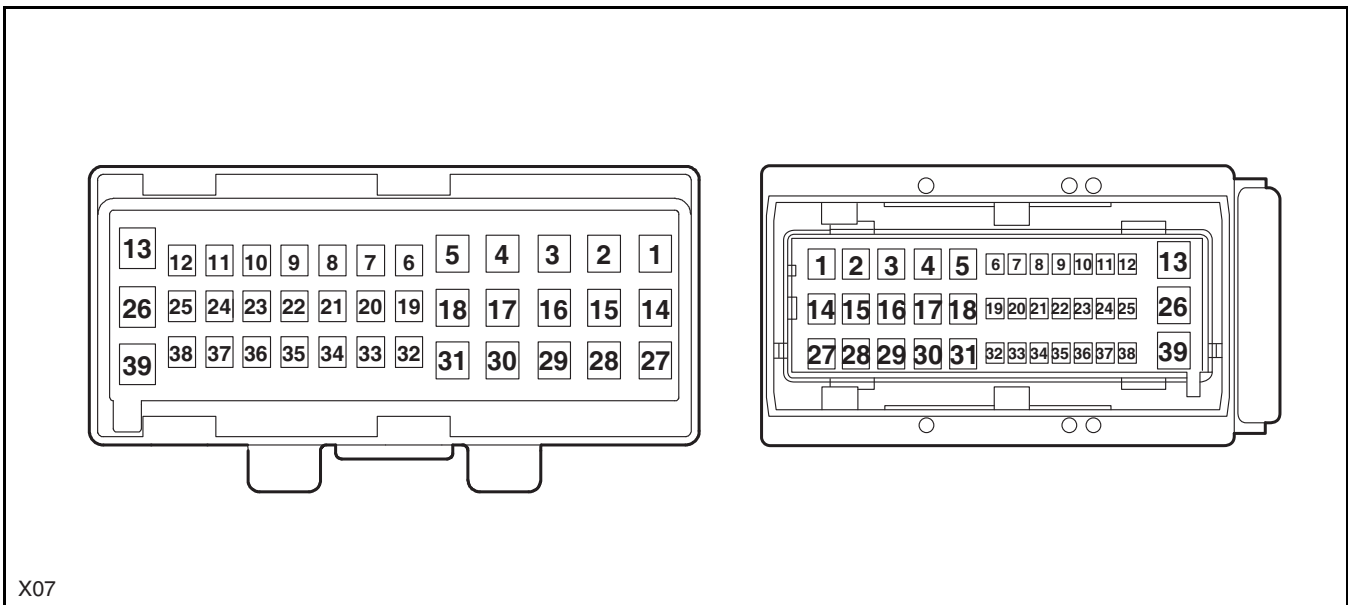
Engine Compartment Wiring Harness to Instrument Panel Wiring Harness C

Instrument Panel Wiring Harness to Engine Compartment Wiring Harness C



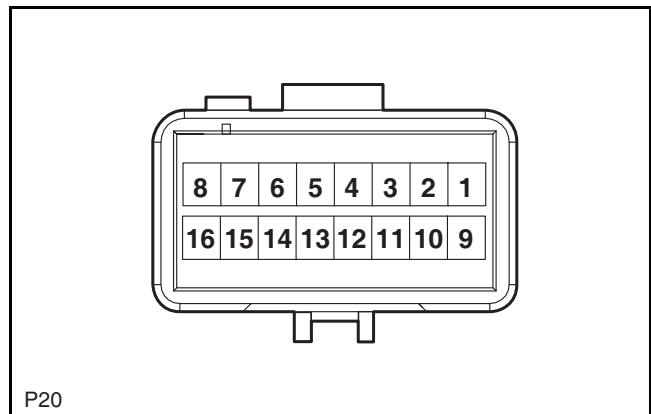
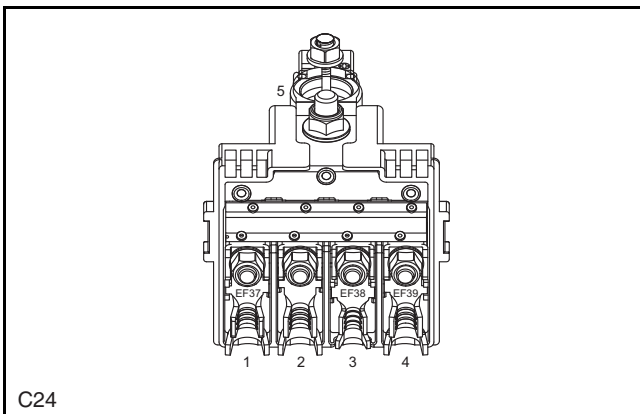
Engine Compartment Wiring Harness to Instrument Panel Wiring Harness A

Instrument Panel Wiring Harness to Engine Compartment Wiring Harness A

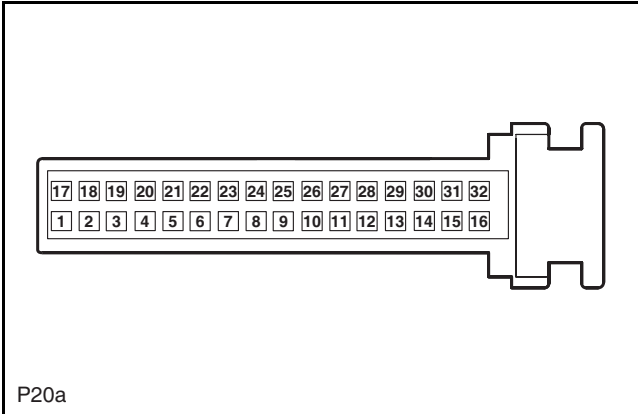


Battery Positive

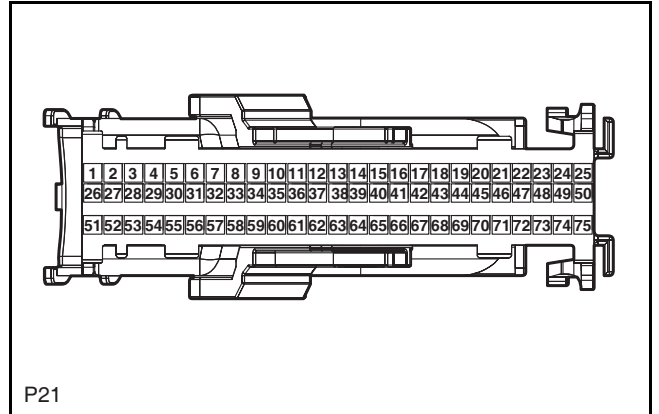
IBCM-D



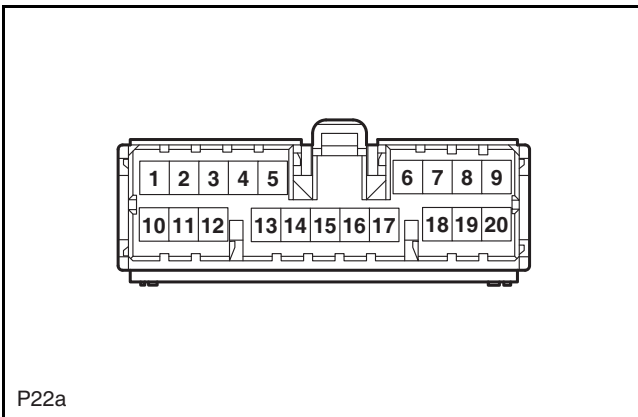
BCM-D



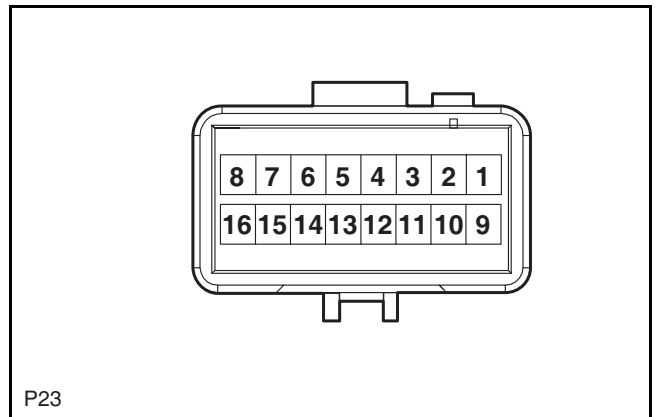
IBCM-A



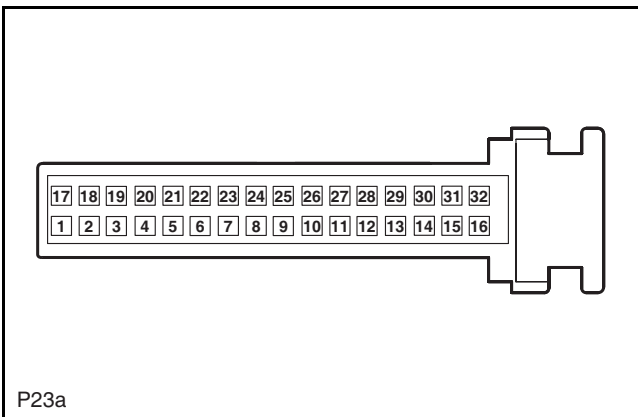
BCM-B



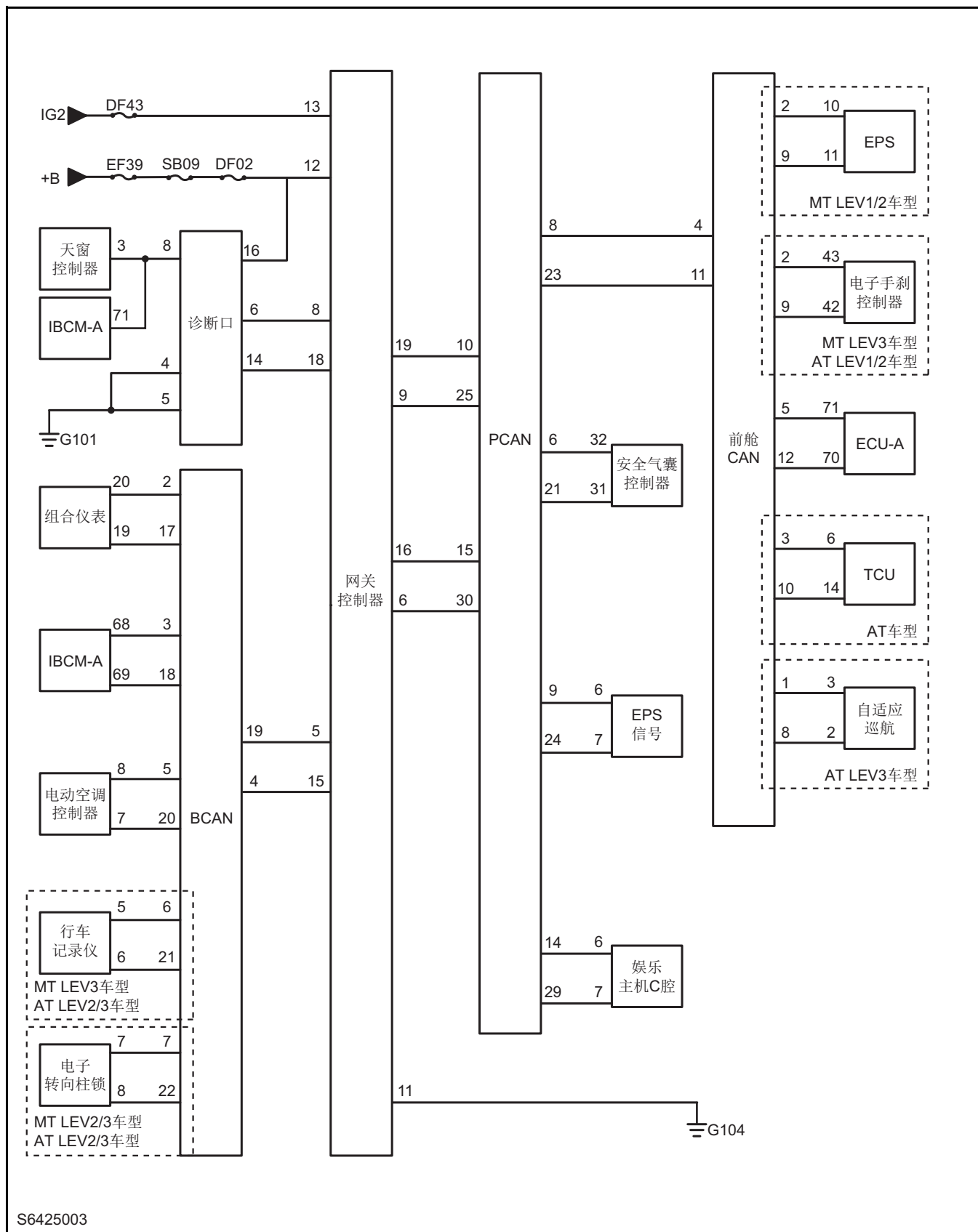
IBCM-C



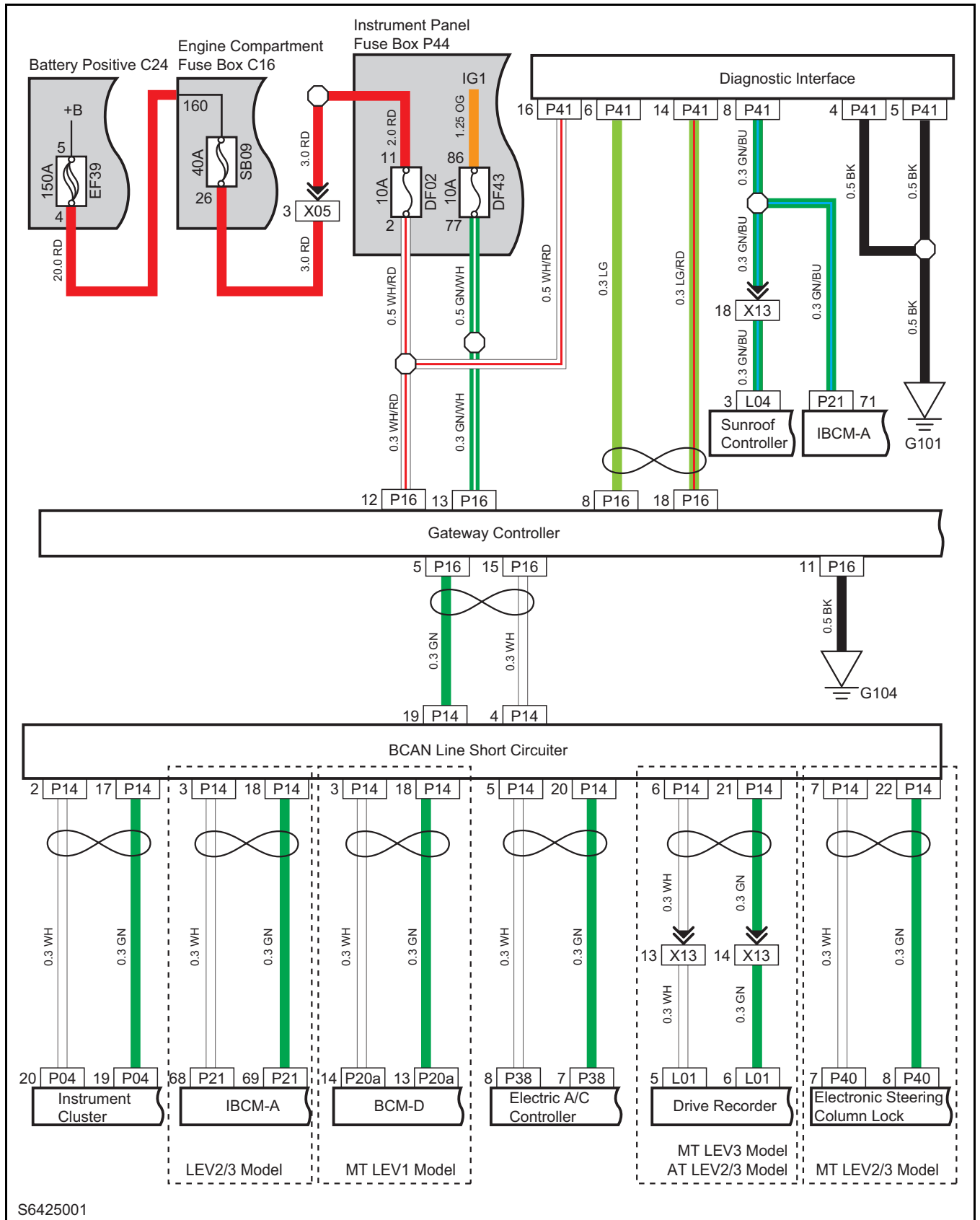
BCM-C



On-board Network System

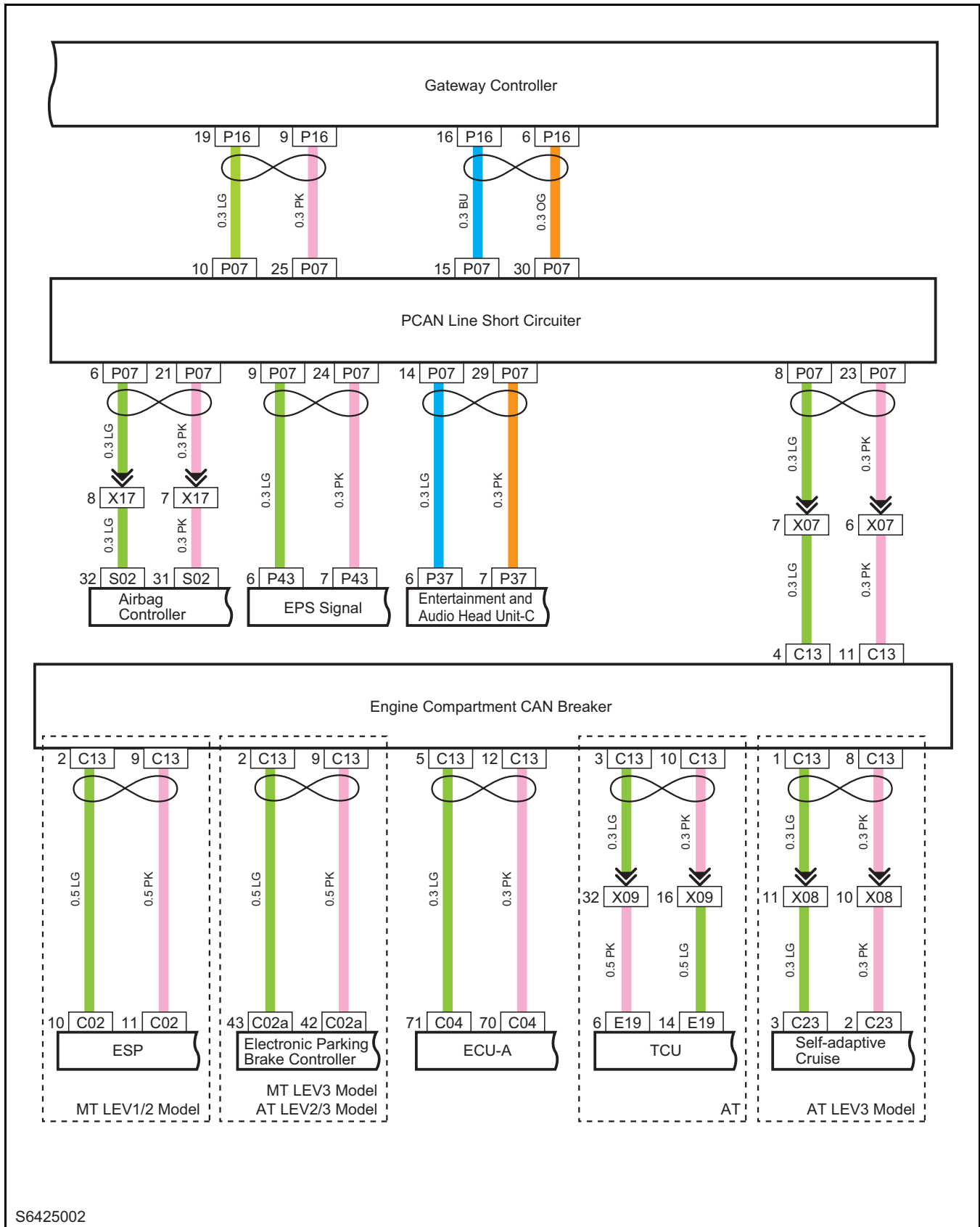


On-board Network System - 1



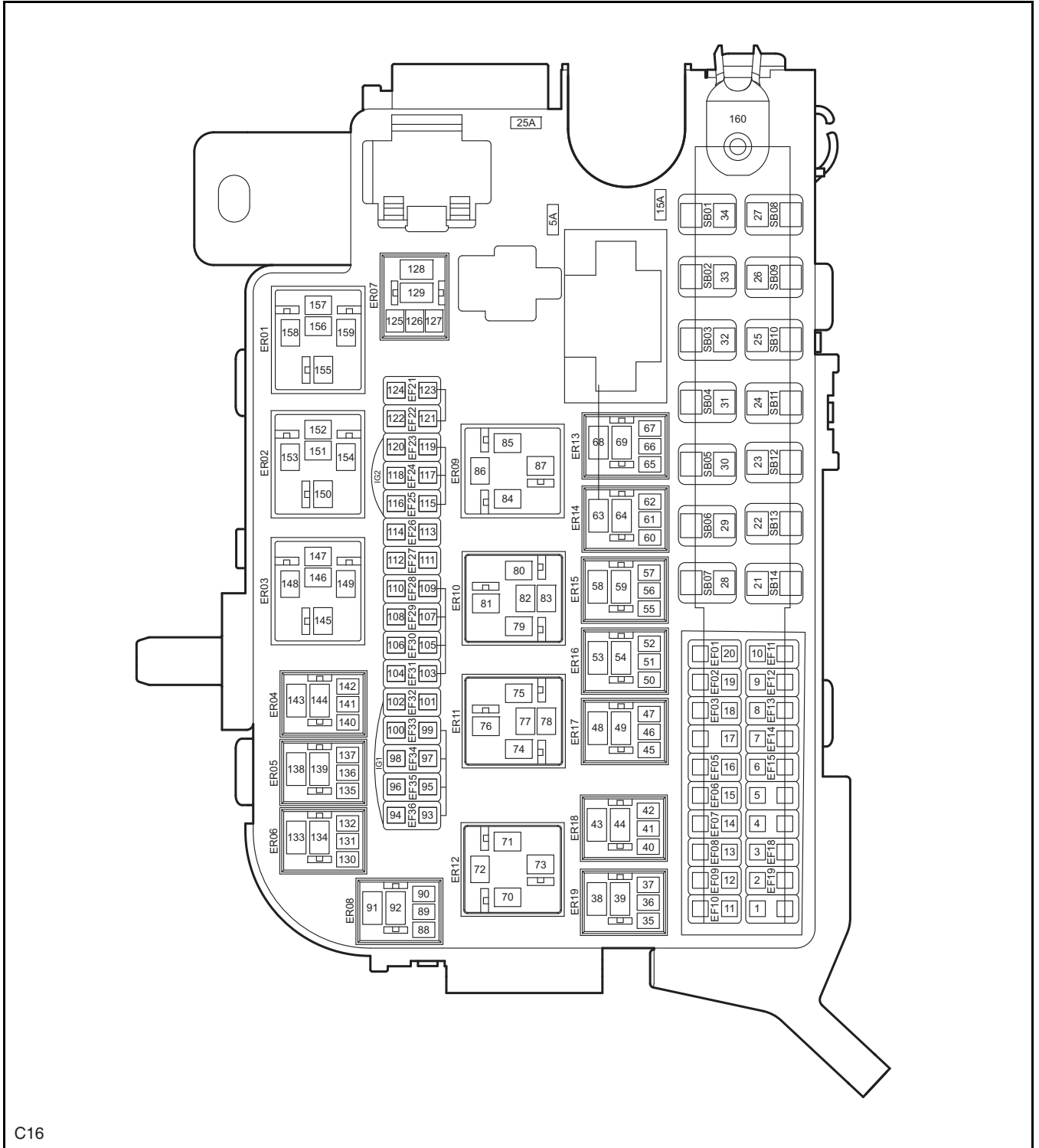
S6425001

On-board Network System - 2

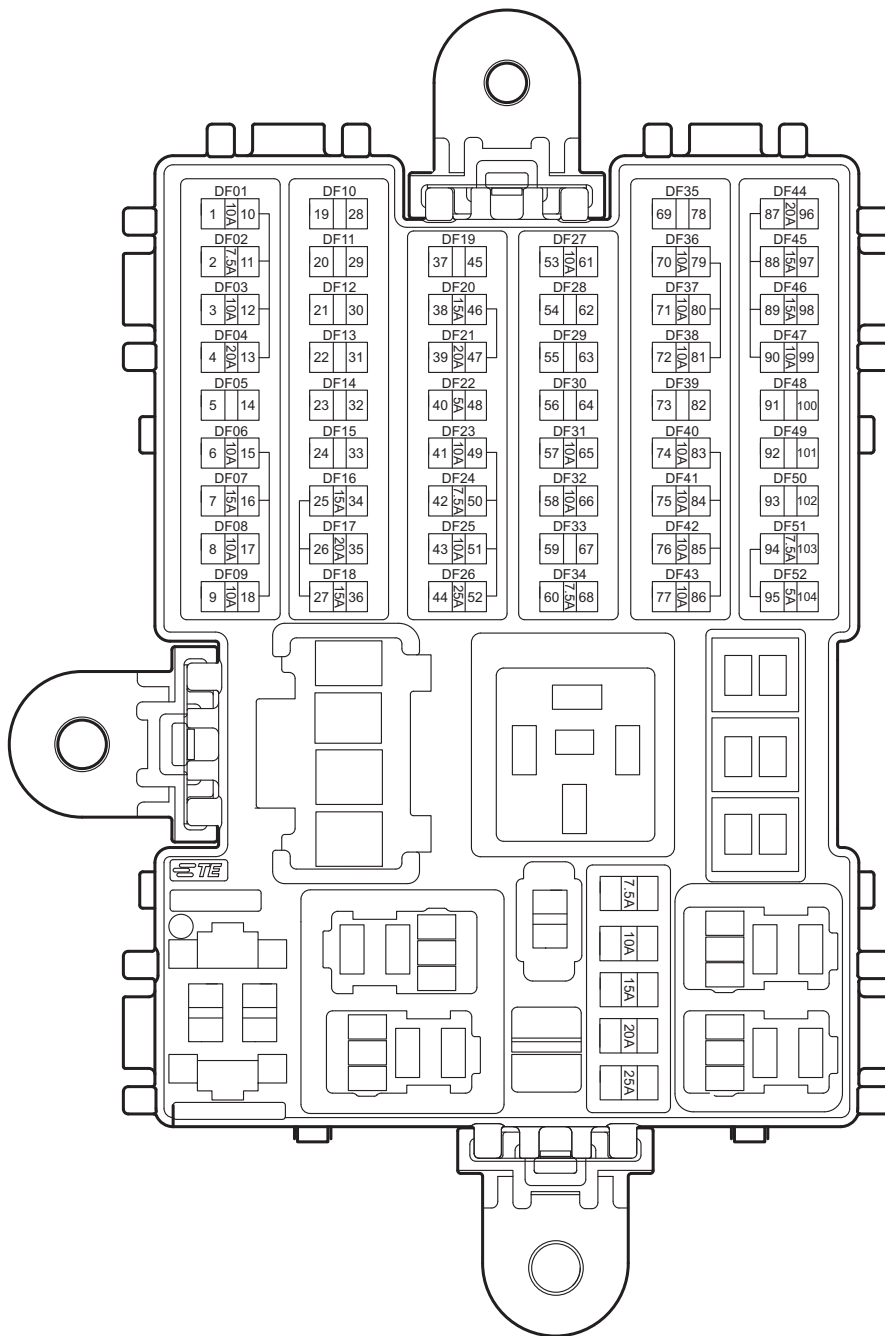


S6425002

Engine Compartment Fuse Box

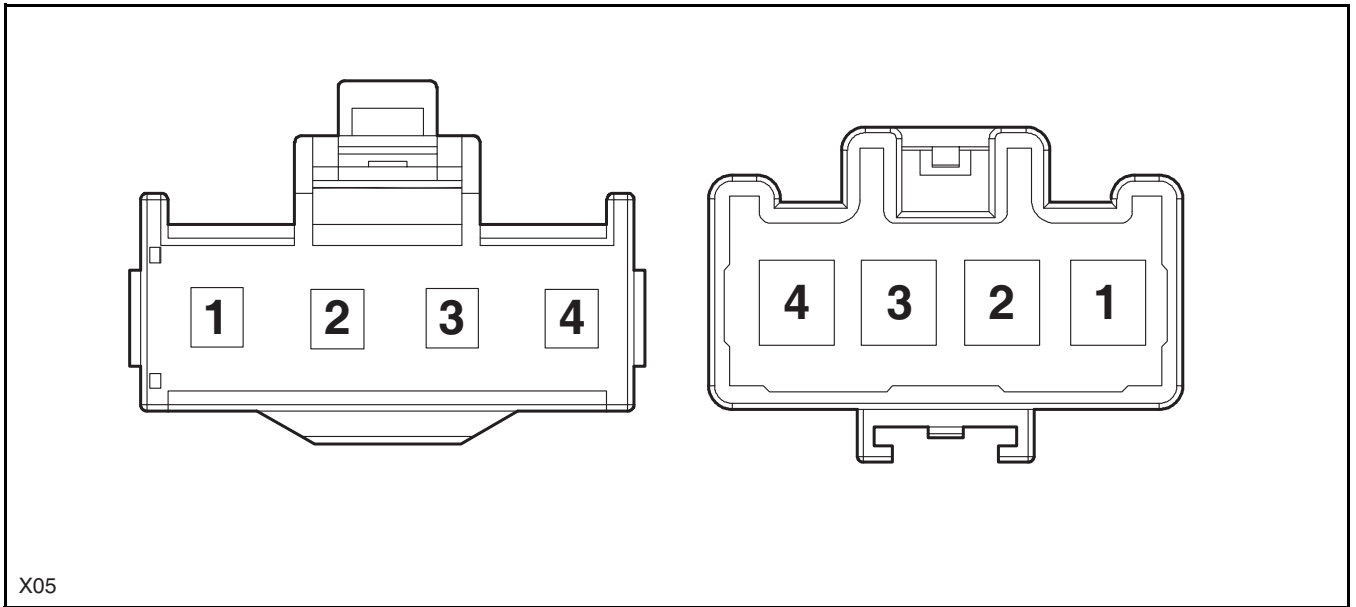


Instrument Panel Fuse Box



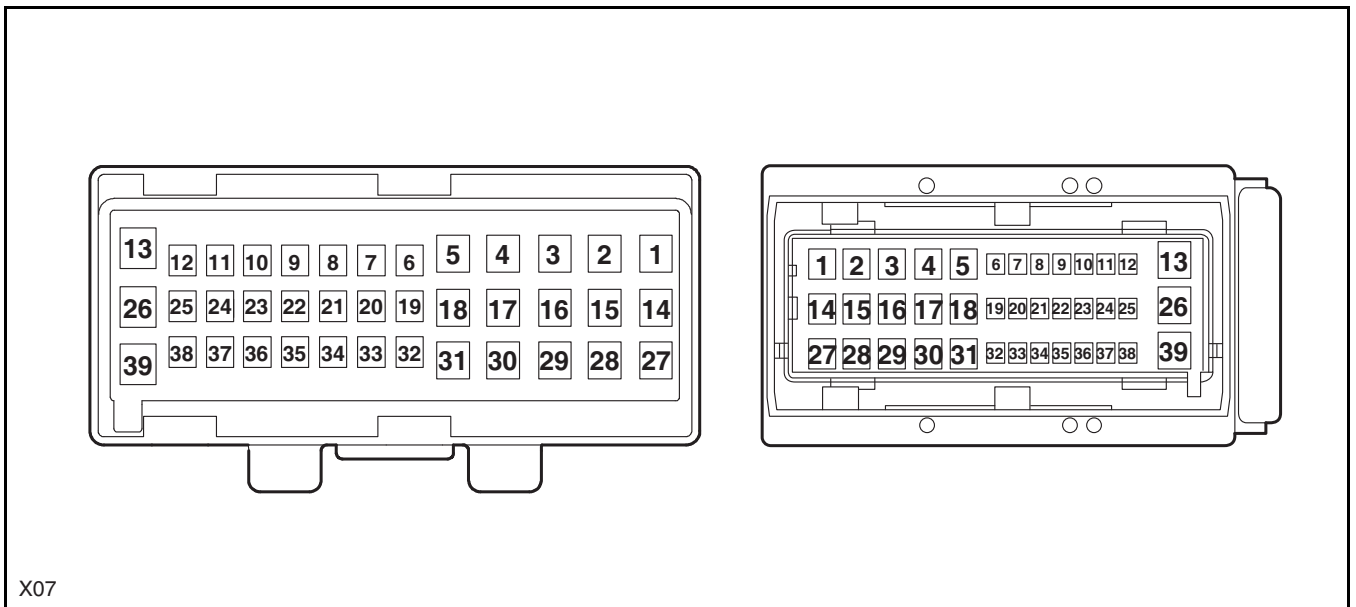
Engine Compartment Wiring Harness to Instrument Panel Wiring Harness C

Instrument Panel Wiring Harness to Engine Compartment Wiring Harness C



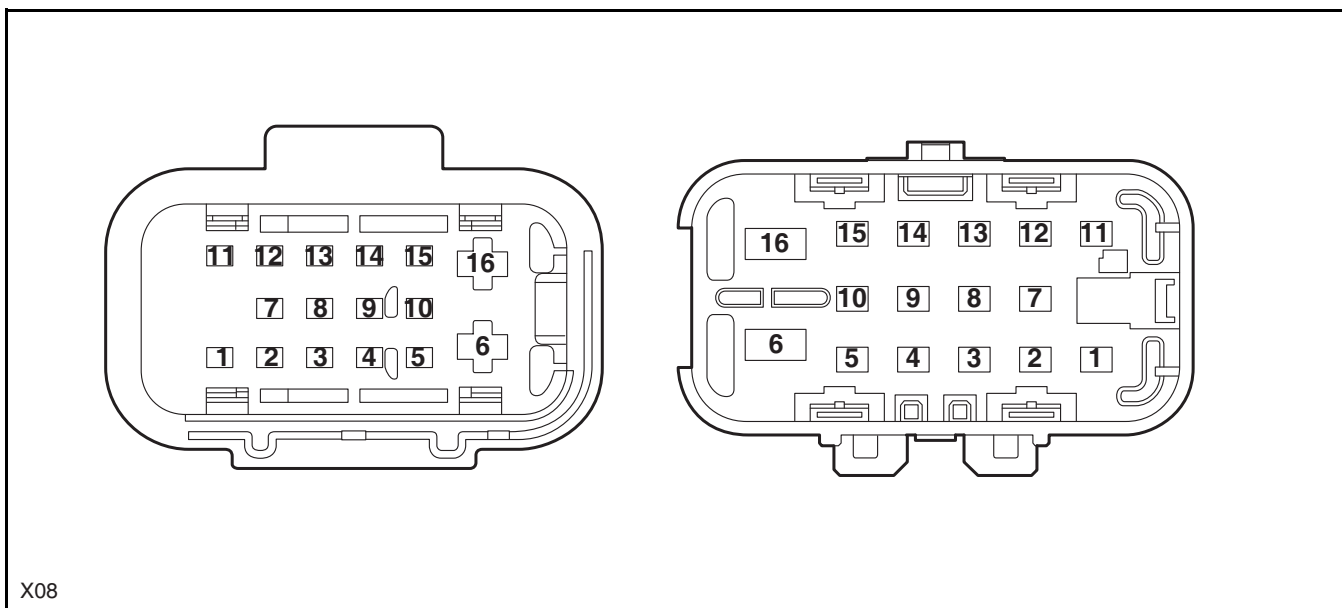
Engine Compartment Wiring Harness to Instrument Panel Wiring Harness A

Instrument Panel Wiring Harness to Engine Compartment Wiring Harness A



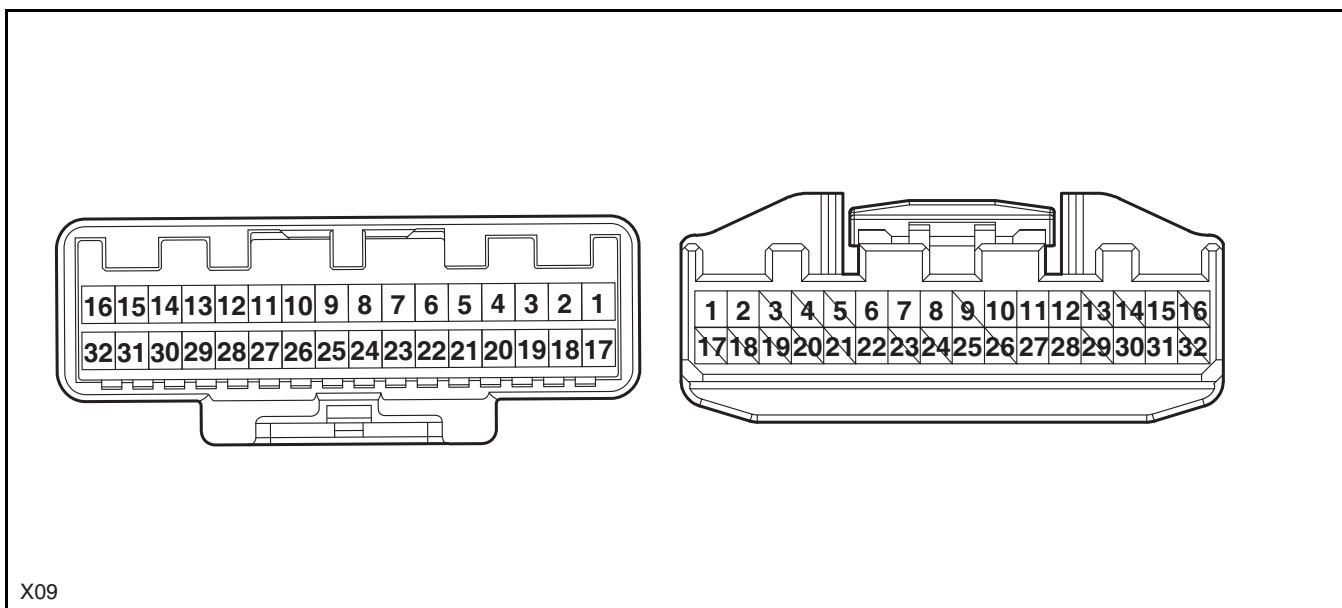
Engine Compartment Wiring Harness to Front End Module Wiring Harness

Front End Module Wiring Harness to Engine Compartment Wiring Harness



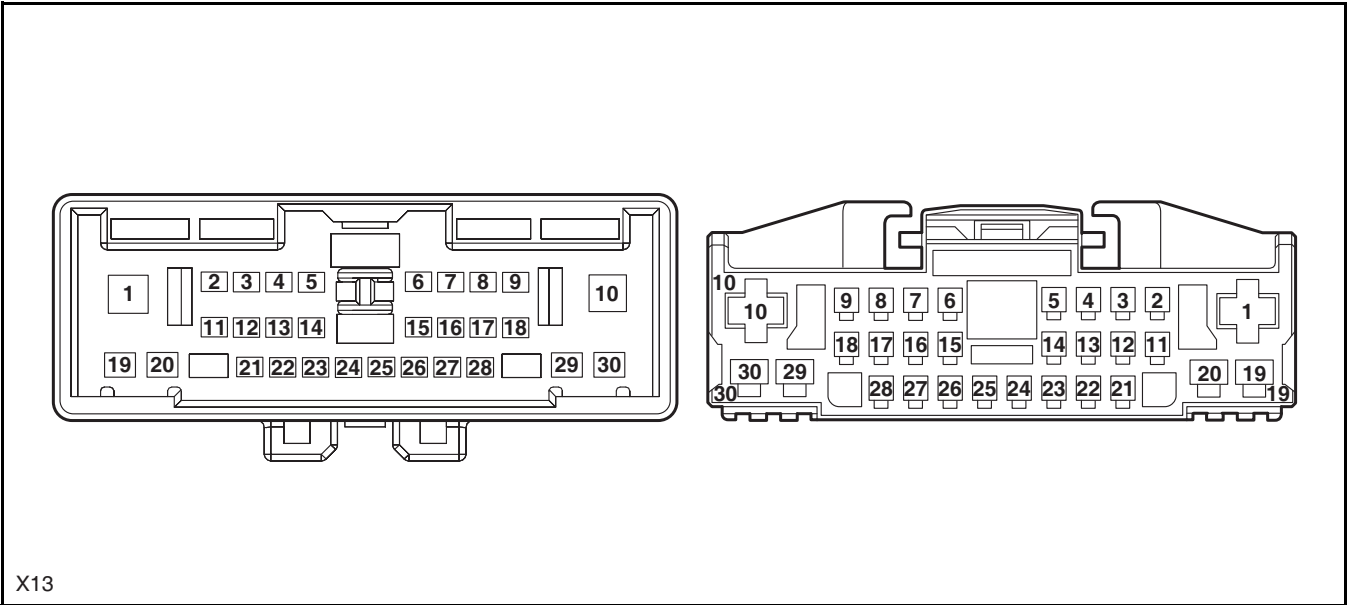
Engine Compartment Wiring Harness to Engine Wiring Harness A

Engine Wiring Harness to Engine Compartment Wiring Harness A



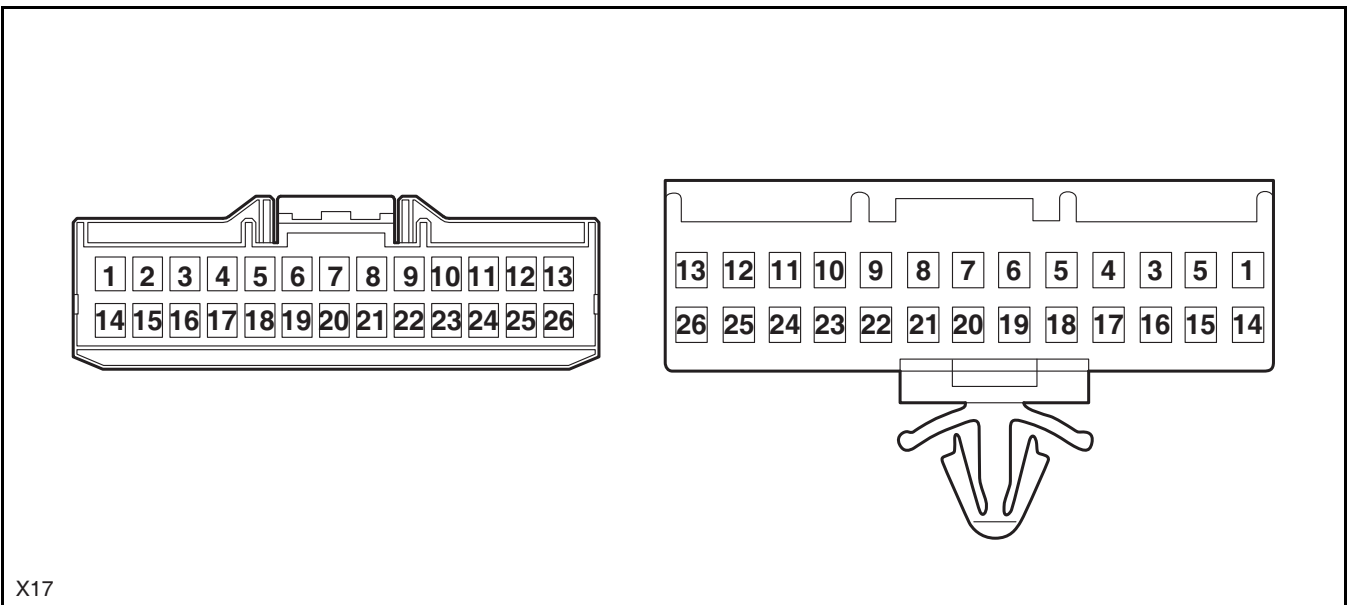
Instrument Panel Wiring Harness to Roof Wiring Harness A

Roof Wiring Harness to Instrument Panel Wiring Harness A



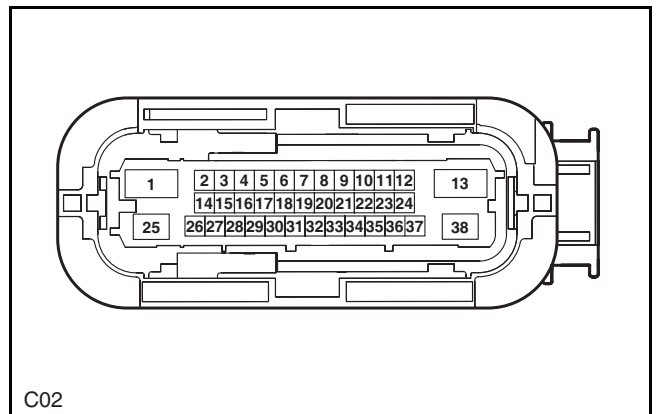
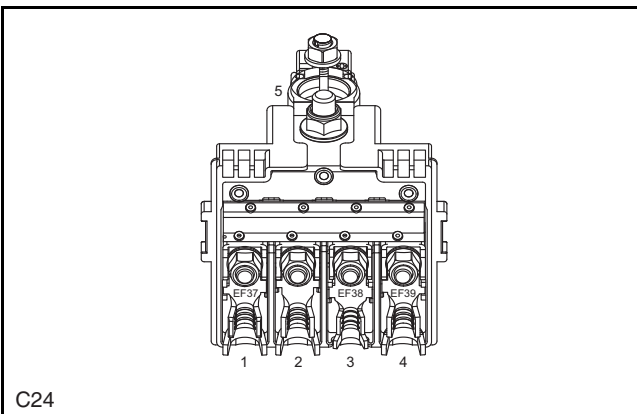
Instrument Panel Wiring Harness to Chassis Wiring Harness D

Chassis Wiring Harness to Instrument Panel Wiring Harness D

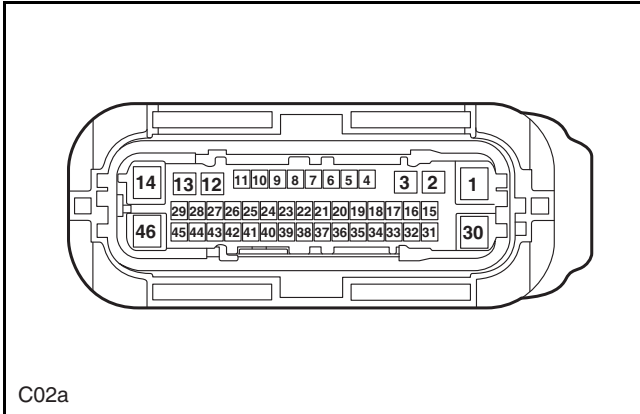


Battery Positive

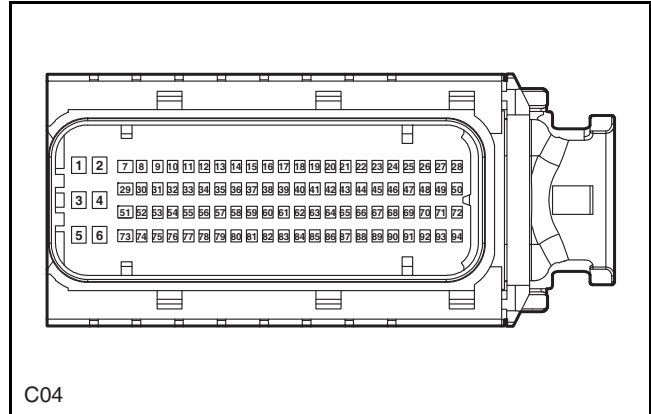
Body Stability Controller (ESP)



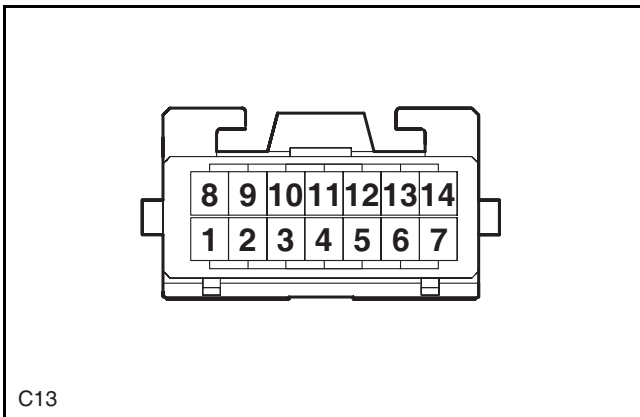
Electronic Parking Brake Controller (EPBi)



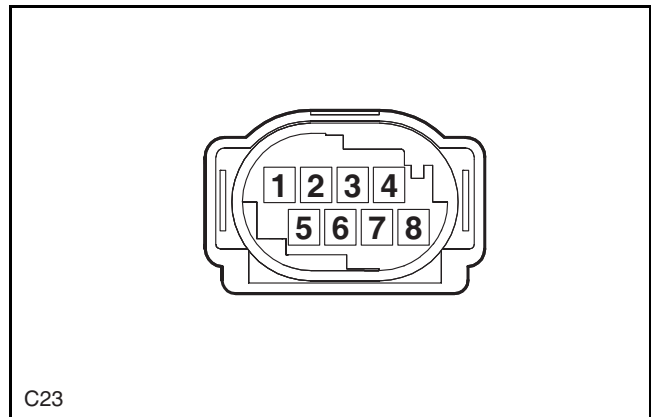
ECU-A



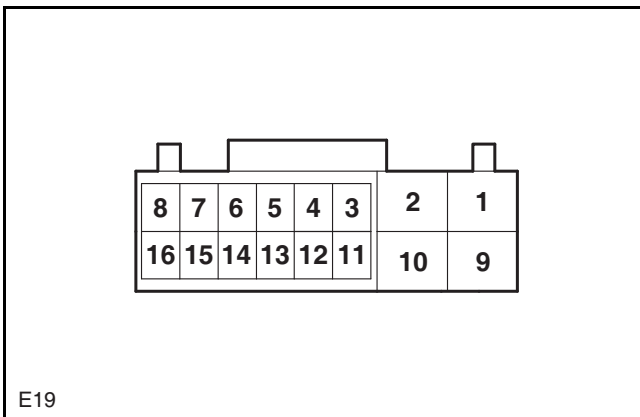
Engine Compartment CAN Breaker



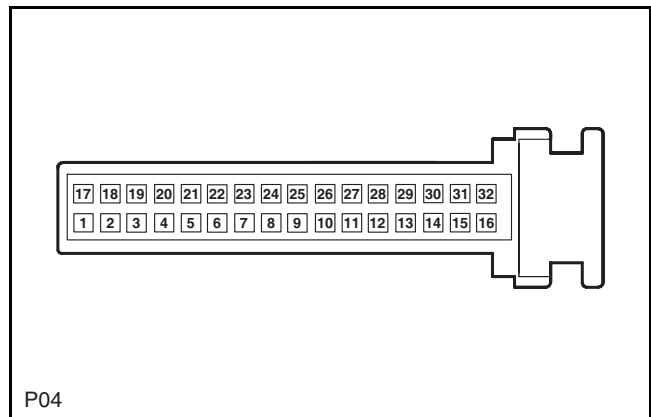
Self-adaptive Cruise Controller



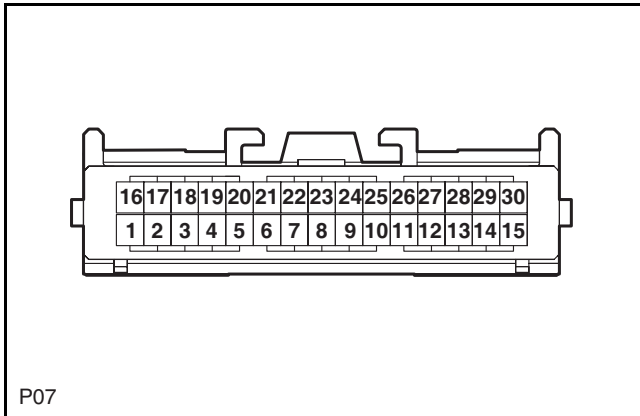
TCU (AT)



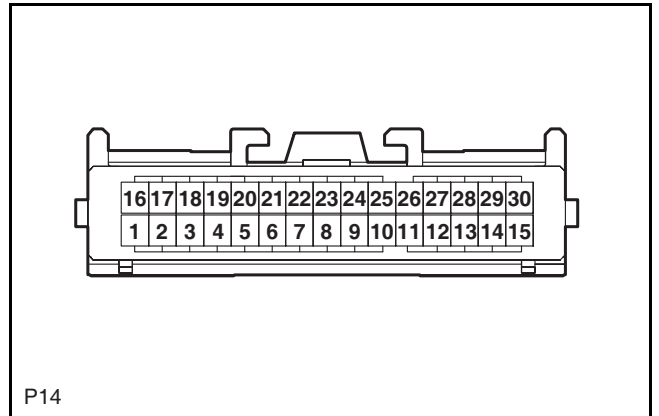
Instrument Cluster



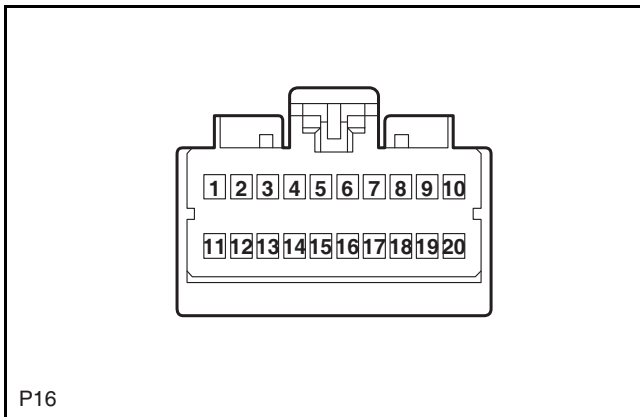
PCAN Short Circuiter



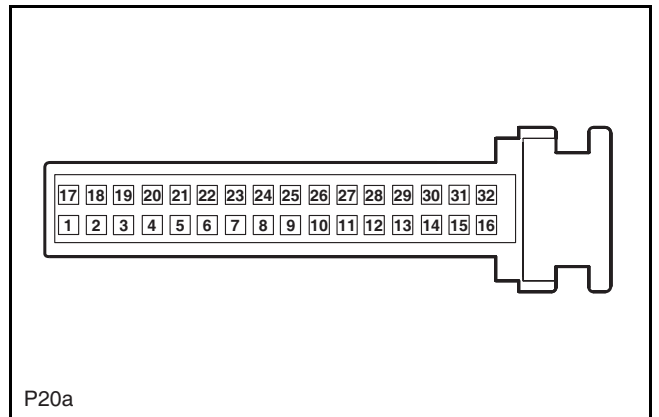
BCAN Short Circuiter



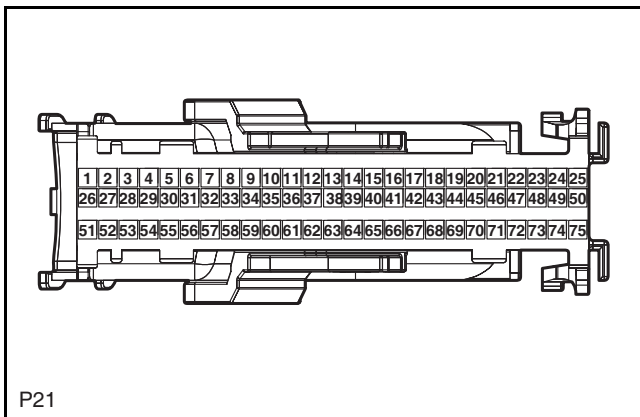
Gateway



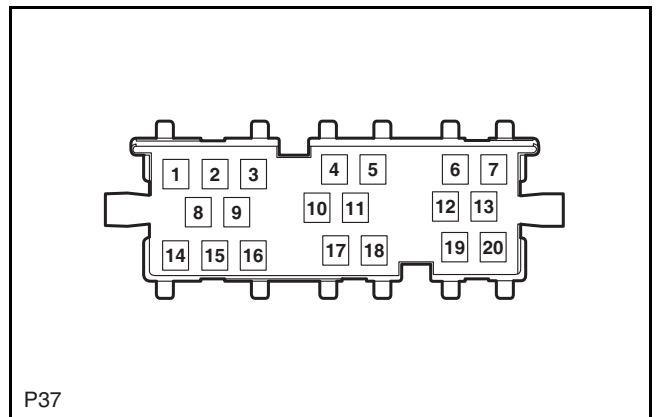
BCM-D



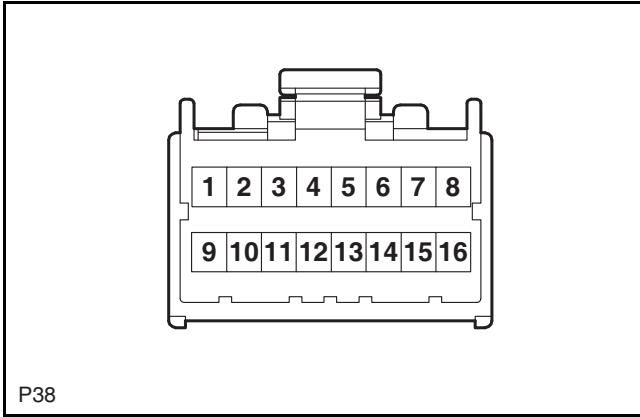
IBCM-A



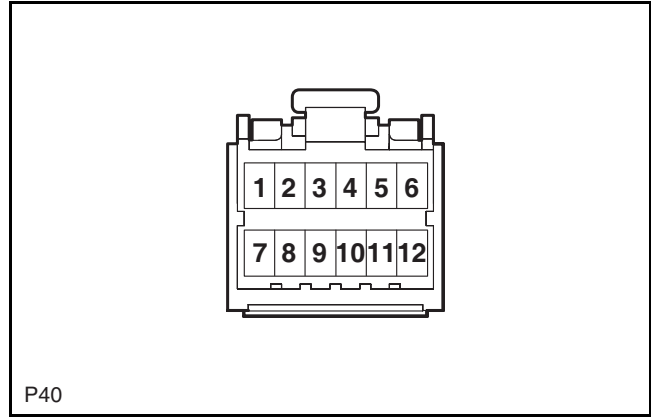
Entertainment and Audio Head Unit-C



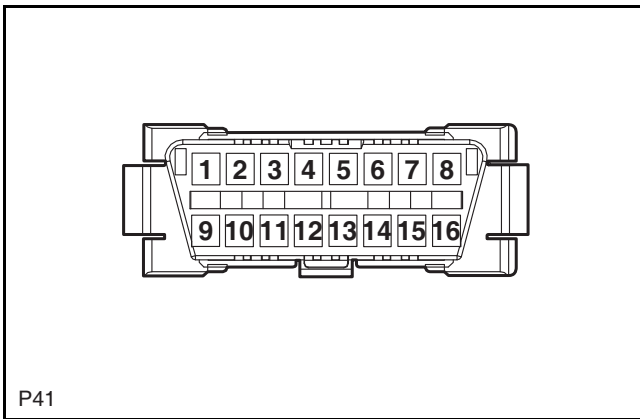
Electric A/C Controller



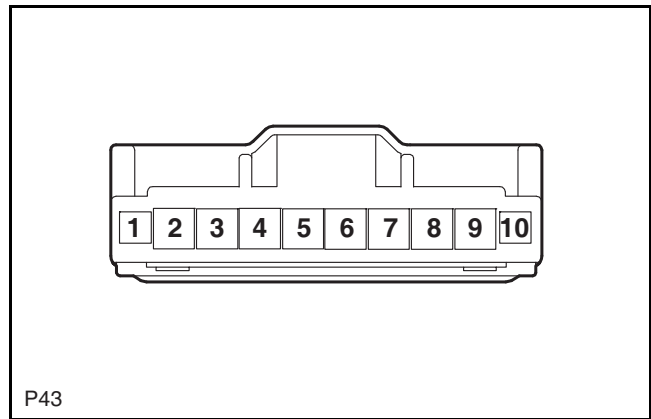
Electronic Steering Lock Controller



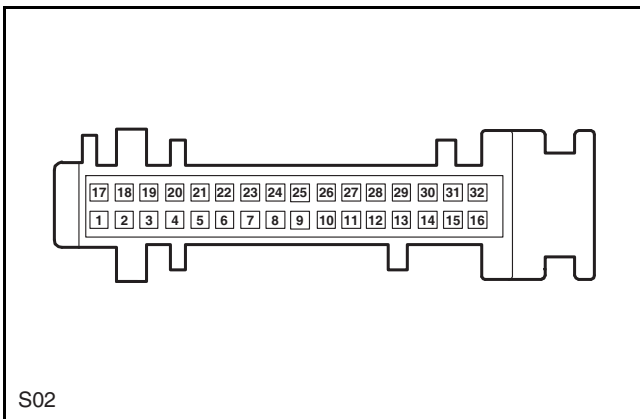
Data Link Connector



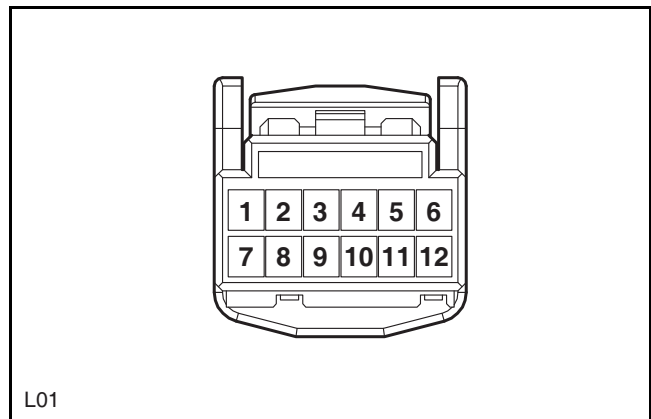
EPS Signal



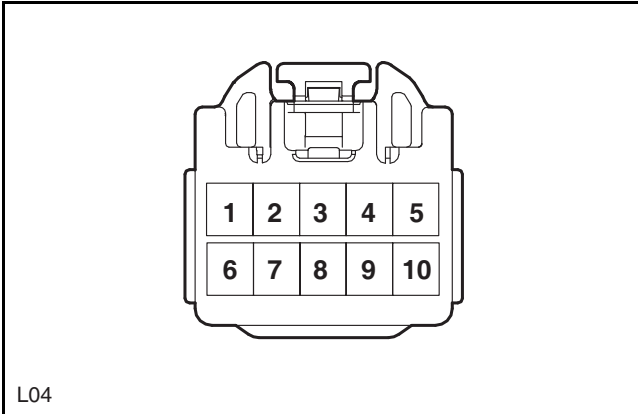
Airbag Controller



Drive Recorder

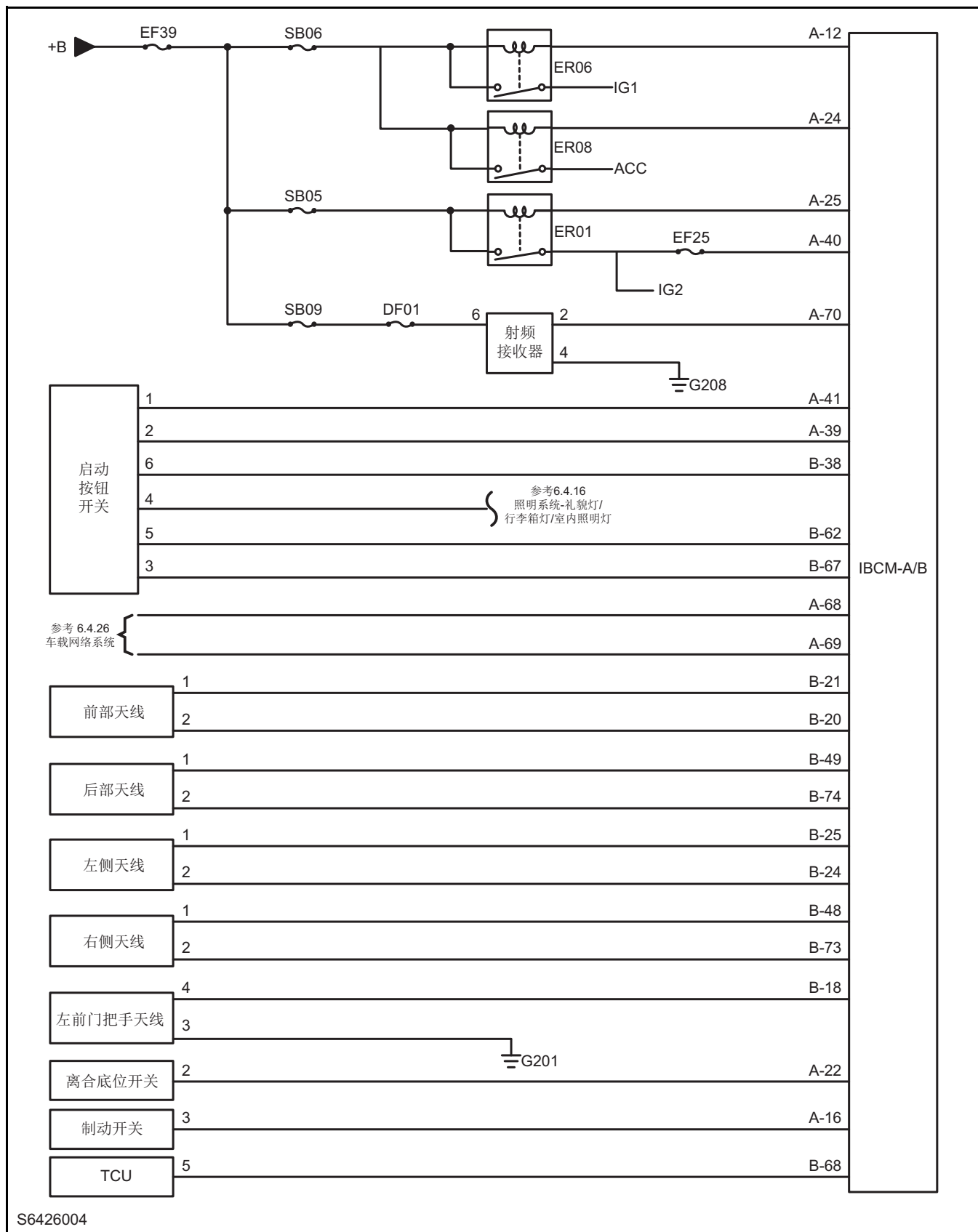


Sunroof Controller

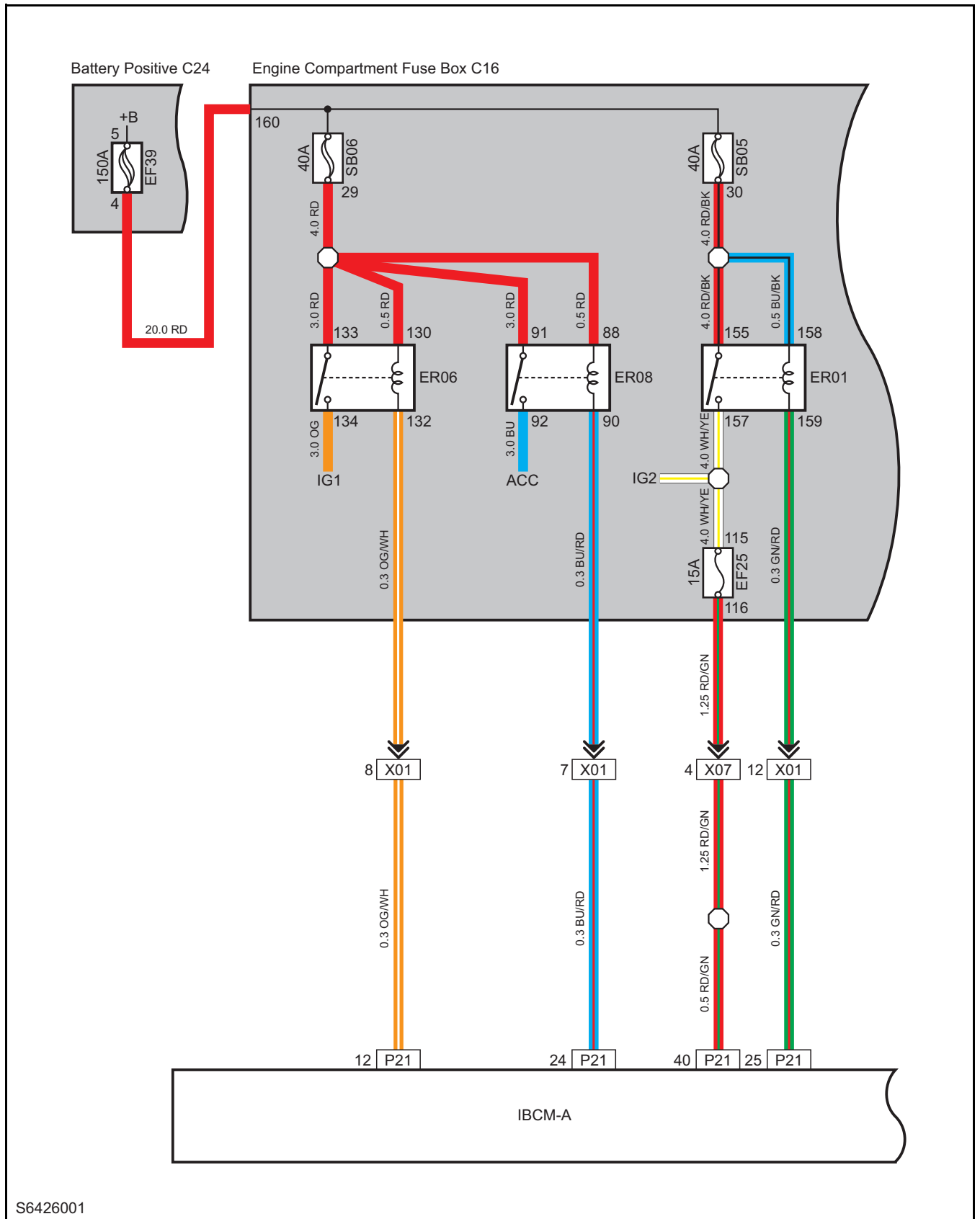


L04

Keyless Entry Control System

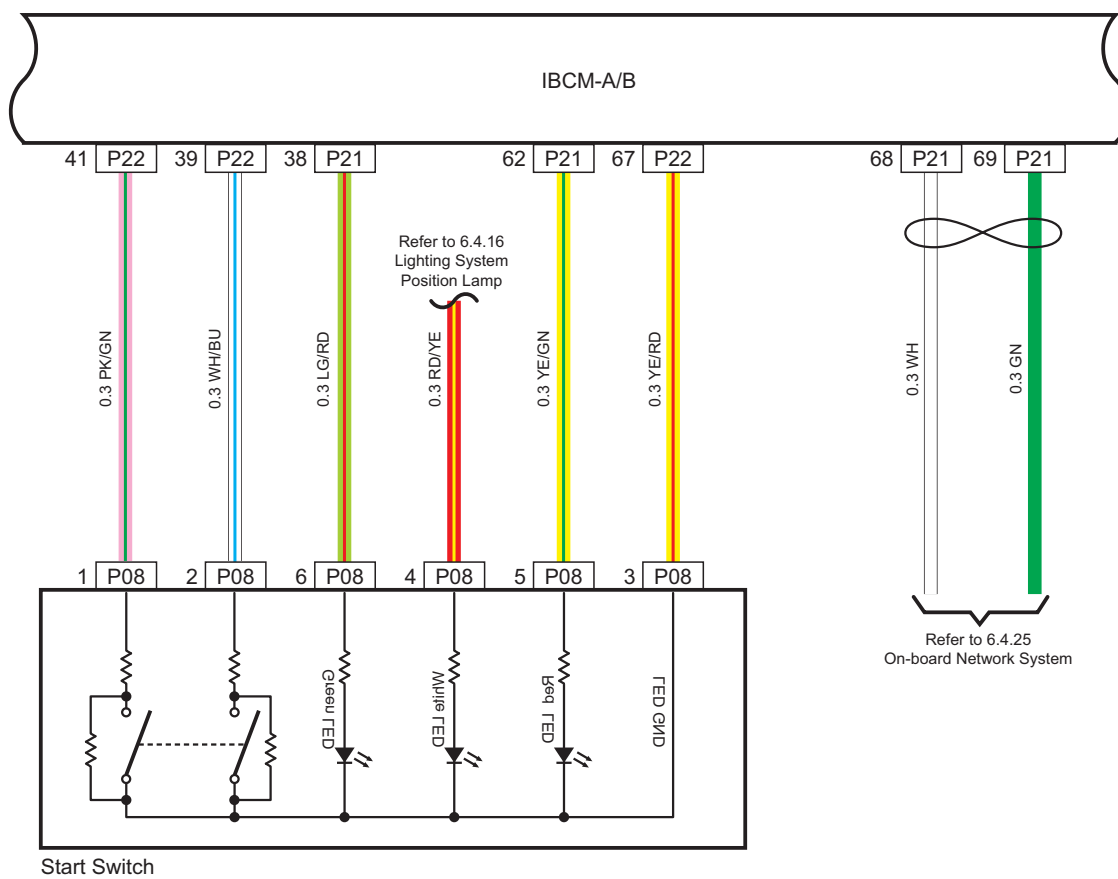


Power Supply



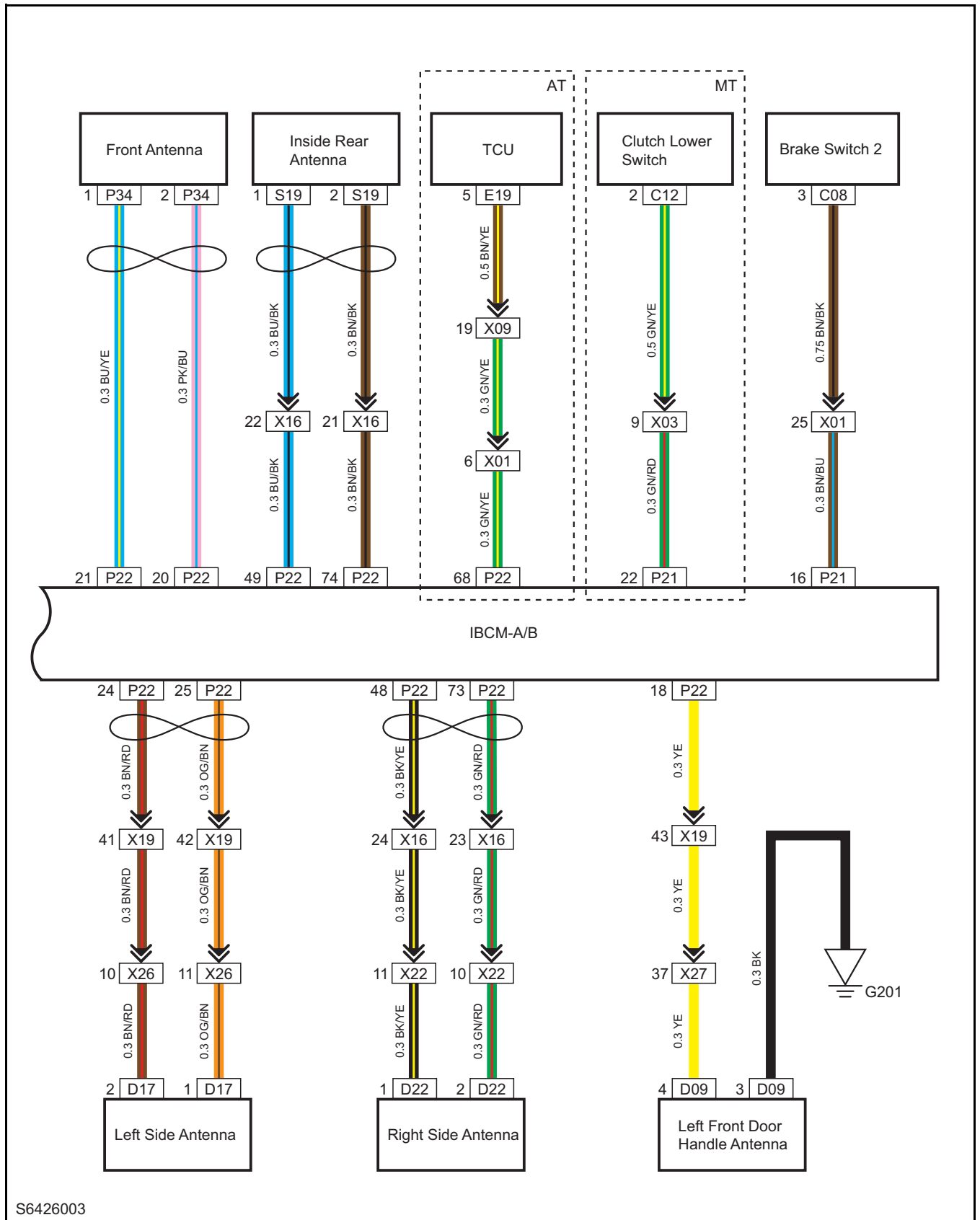
S6426001

Start Switch

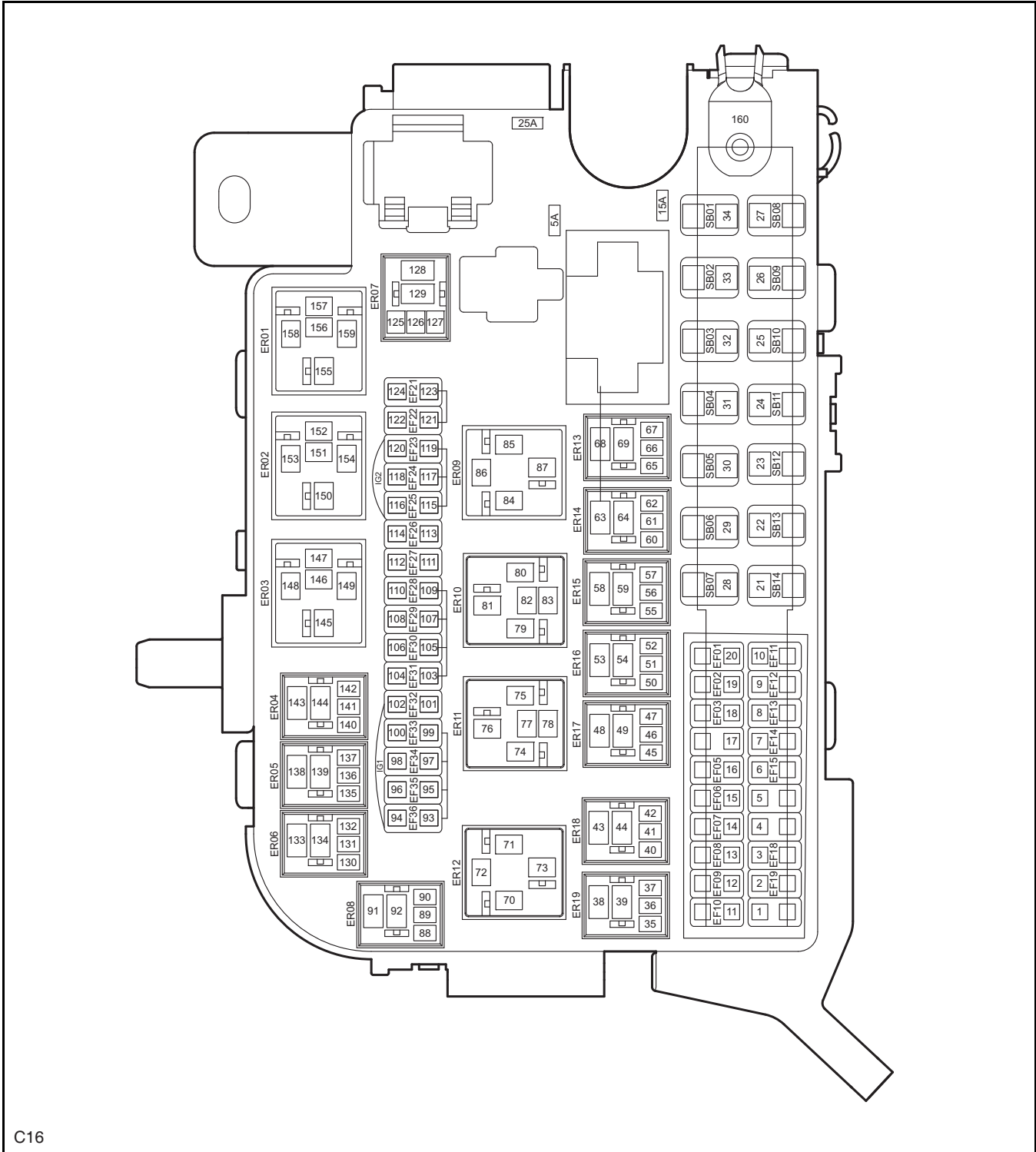


S6426002

Antenna



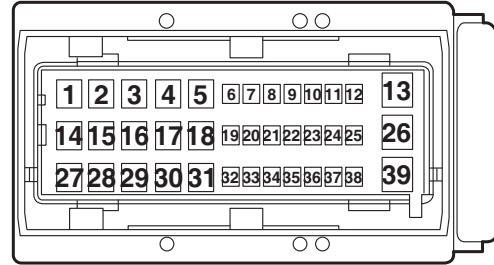
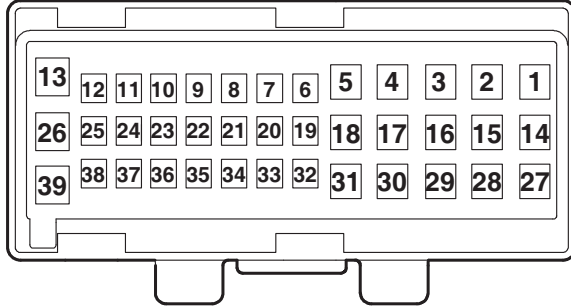
Engine Compartment Fuse Box



C16

Engine Compartment Wiring Harness to Instrument Panel Wiring Harness E

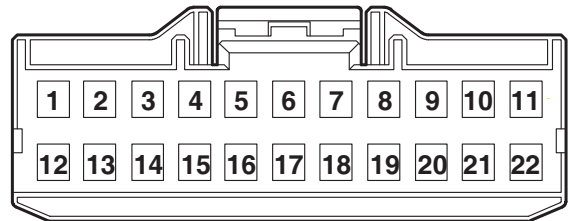
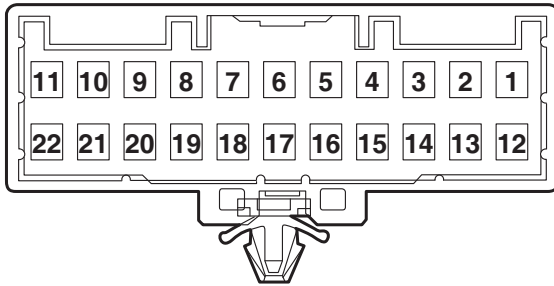
Instrument Panel Wiring Harness to Engine Compartment Wiring Harness E



X01

Engine Compartment Wiring Harness to Instrument Panel Wiring Harness D

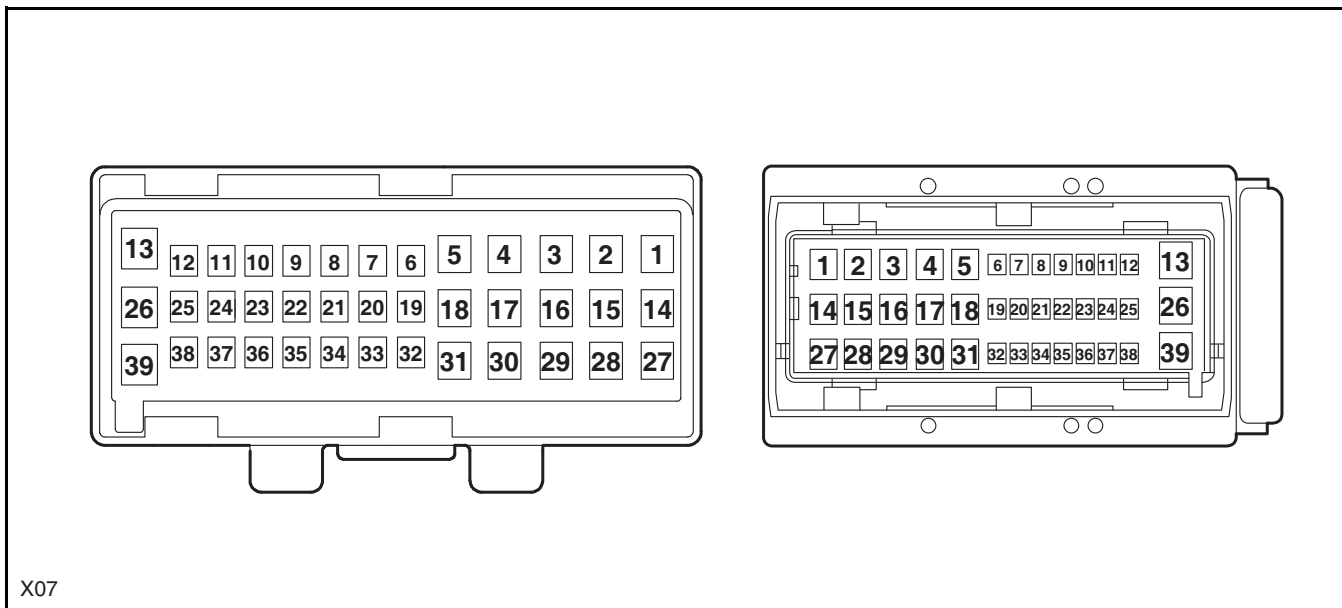
Instrument Panel Wiring Harness to Engine Compartment Wiring Harness D



X03

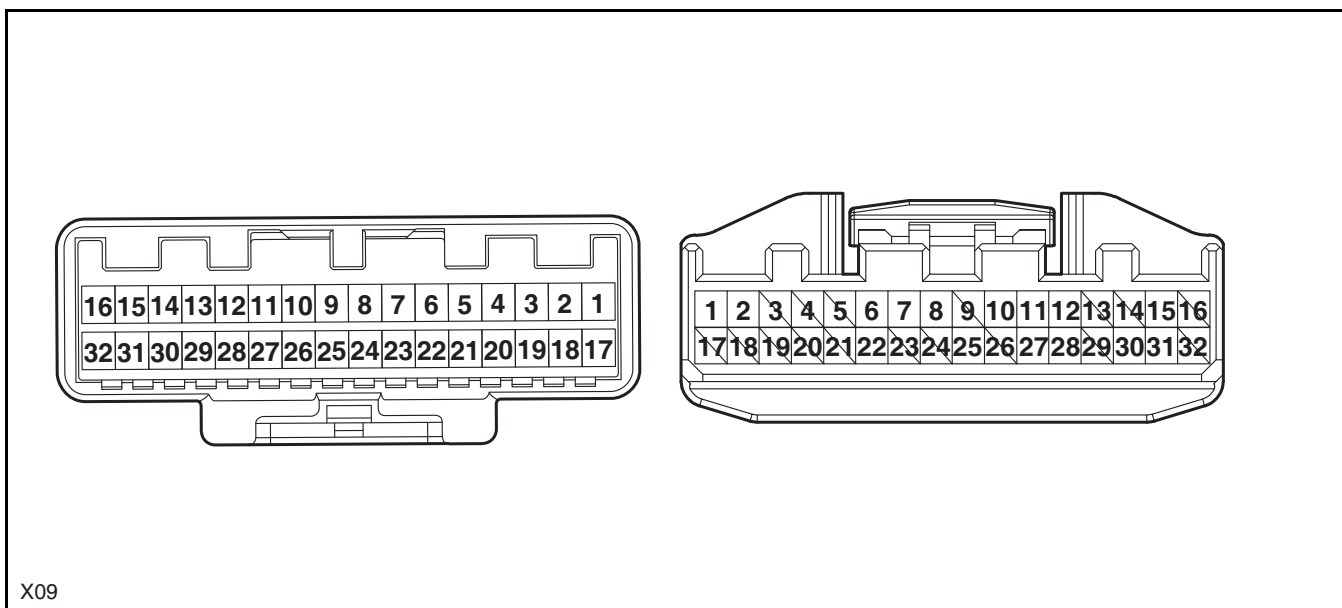
Engine Compartment Wiring Harness to Instrument Panel Wiring Harness A

Instrument Panel Wiring Harness to Engine Compartment Wiring Harness A



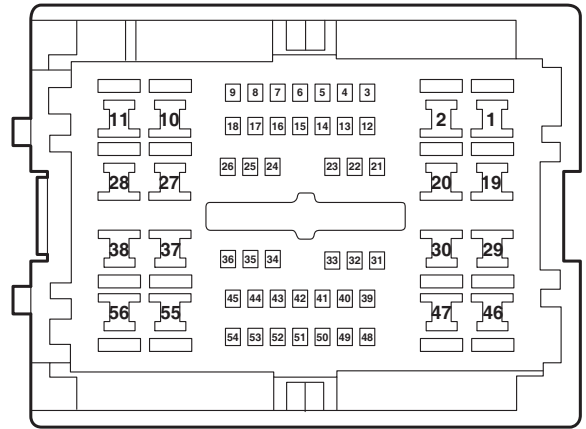
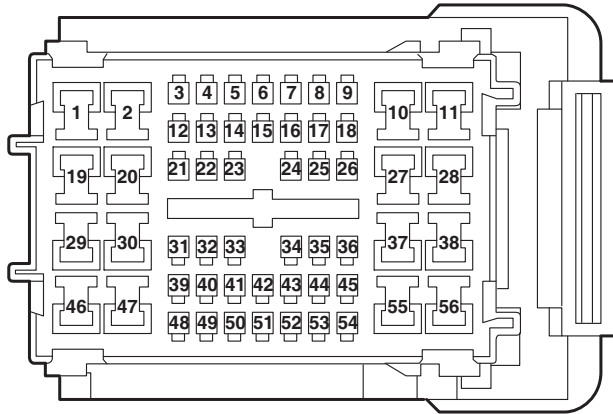
Engine Compartment Wiring Harness to Engine Wiring Harness A

Engine Wiring Harness to Engine Compartment Wiring Harness A



Instrument Panel Wiring Harness to Chassis Wiring Harness C

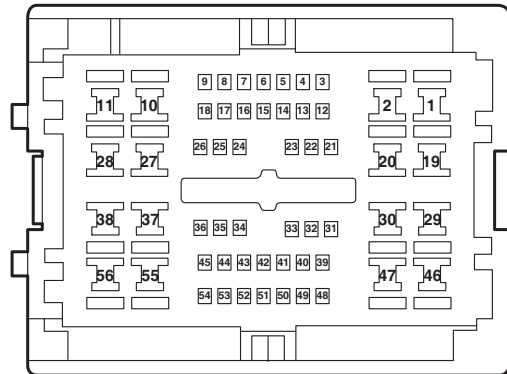
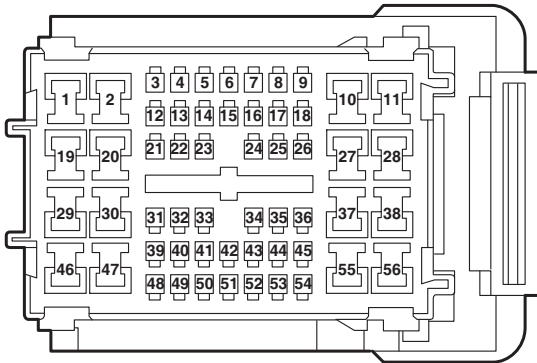
Chassis Wiring Harness to Instrument Panel Wiring Harness C



X16

Instrument Panel Wiring Harness to Chassis Wiring Harness A

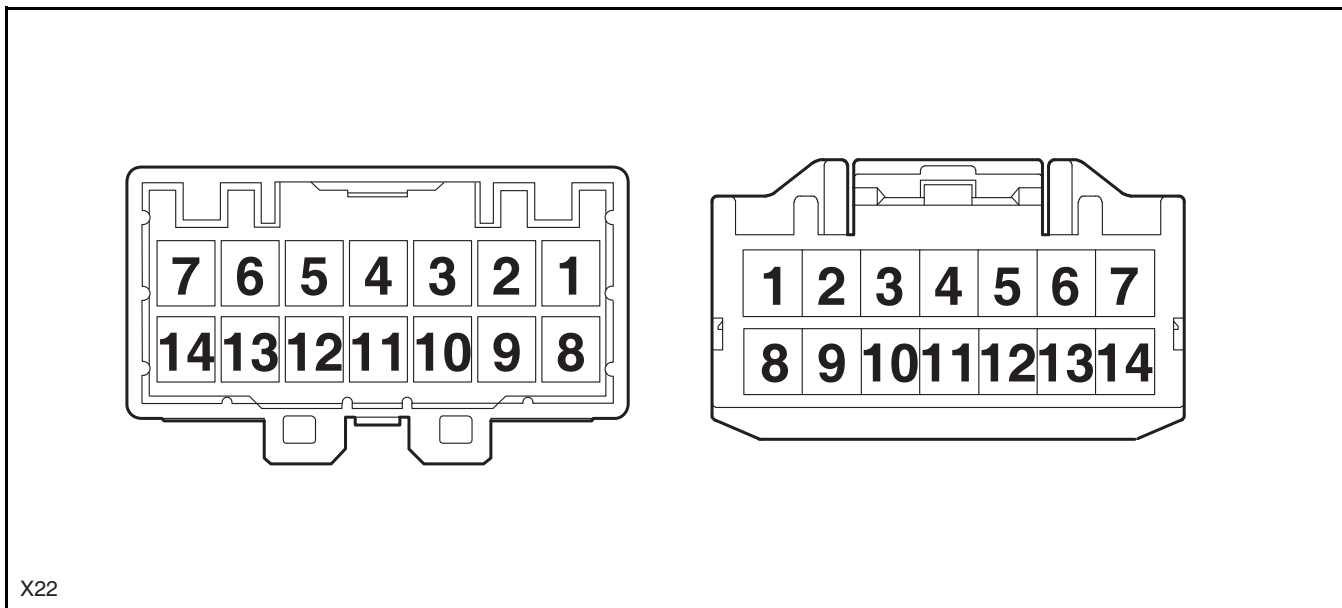
Chassis Wiring Harness to Instrument Panel Wiring Harness A



X19

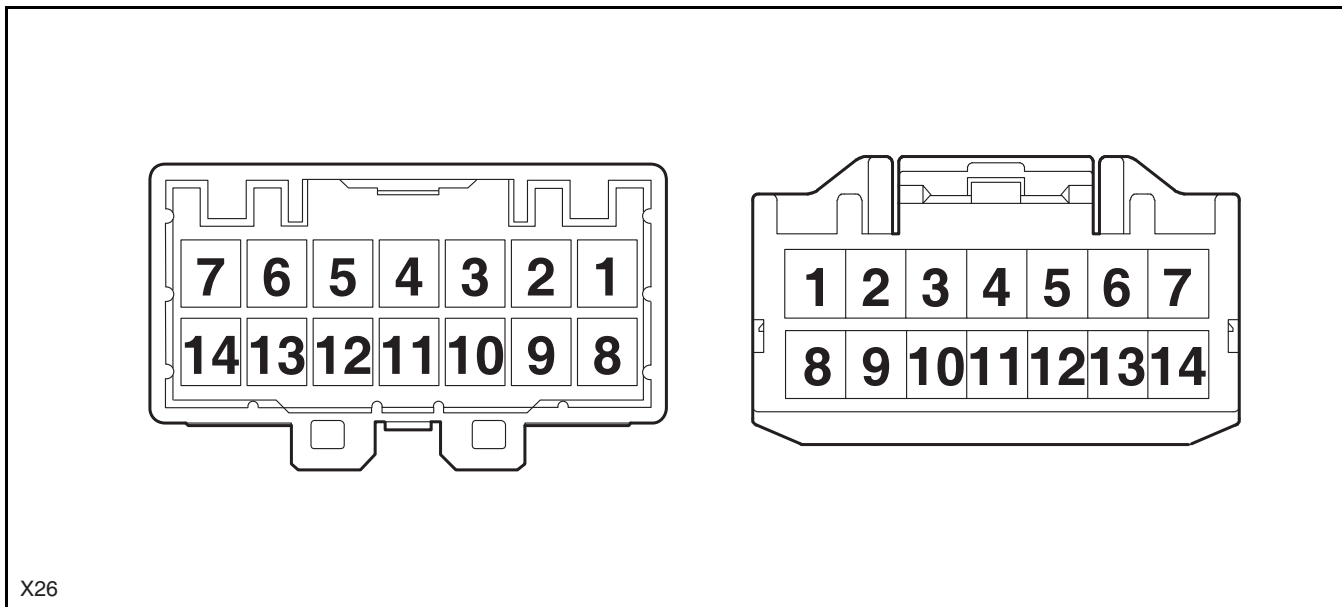
Chassis Wiring Harness to Right Rear Door Wiring Harness

Right Rear Door Wiring Harness to Chassis Wiring Harness



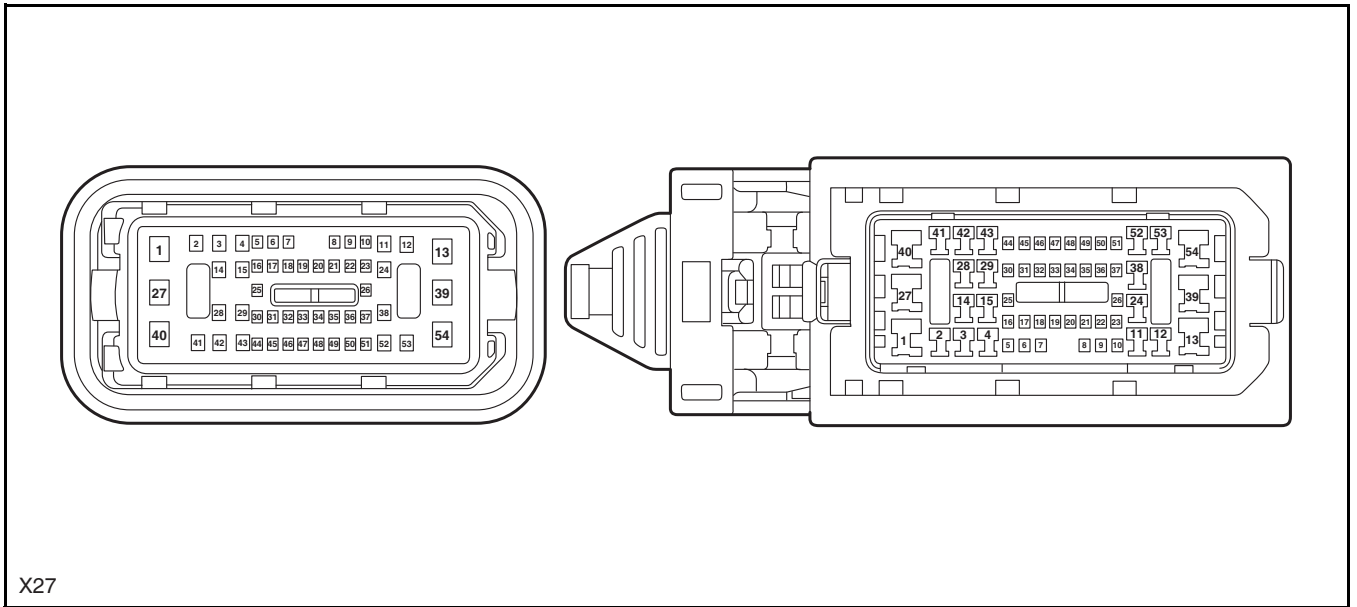
Chassis Wiring Harness to Left Rear Door Wiring Harness

Left Rear Door Wiring Harness to Chassis Wiring Harness



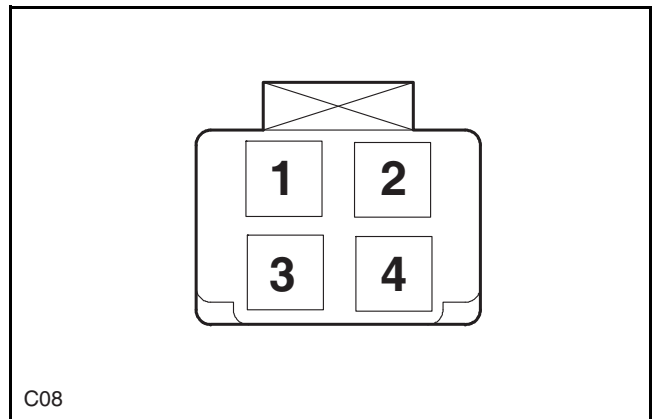
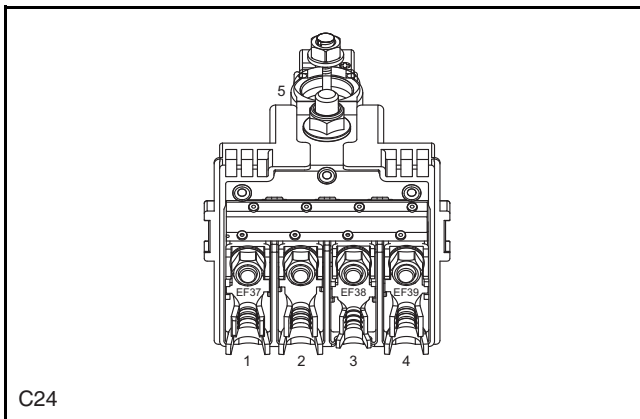
Chassis Wiring Harness to Left Front Door Wiring Harness

Left Front Door Wiring Harness to Chassis Wiring Harness



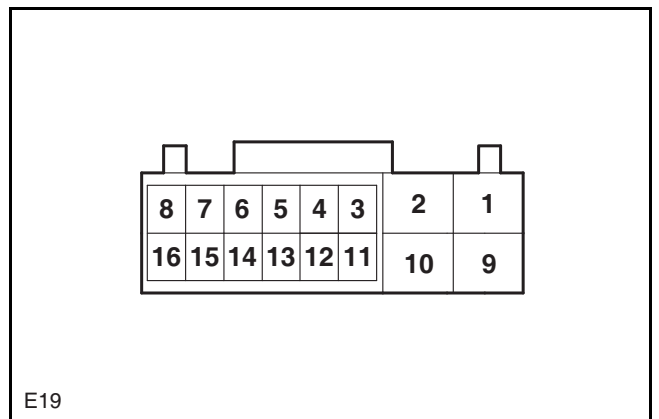
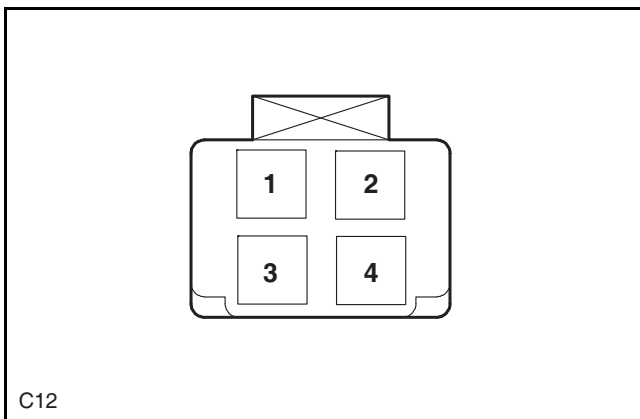
Battery Positive

Brake Switch 2

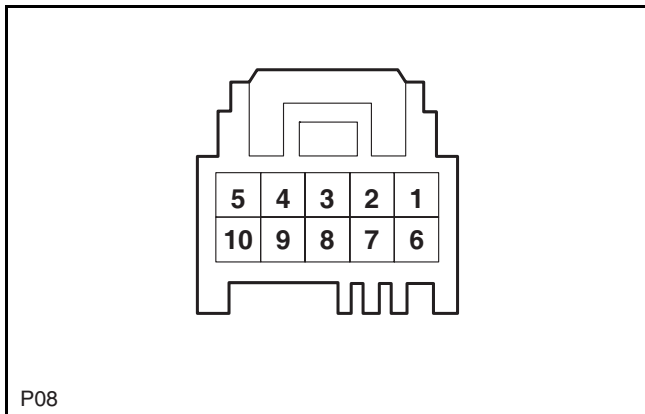


Clutch Lower Switch

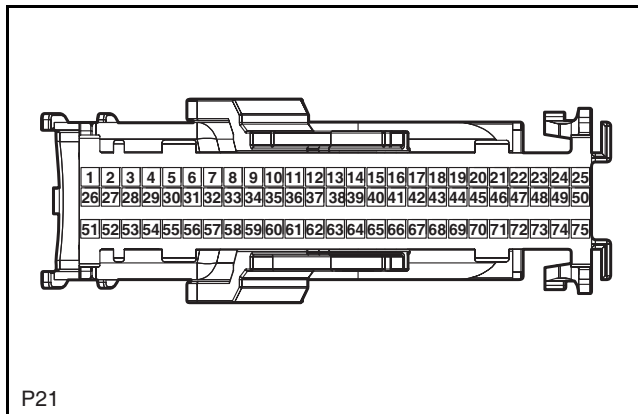
TCU (AT)



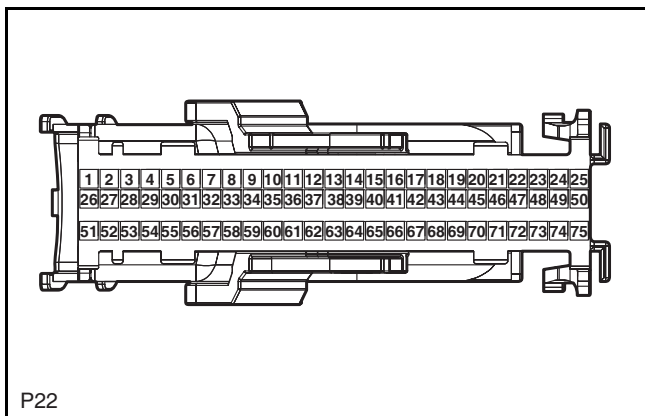
Start Switch



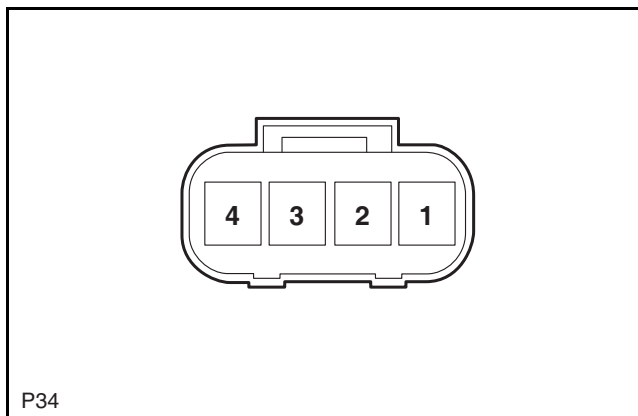
IBCM-A



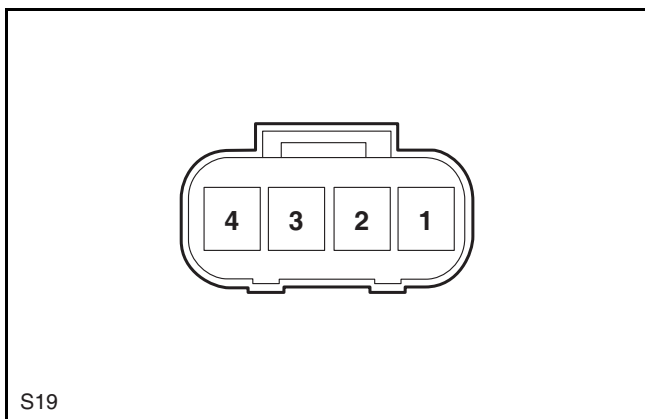
IBCM-B



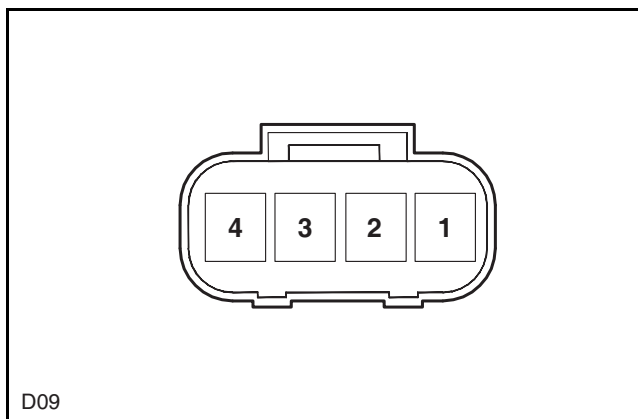
Front Antenna



Inside Rear Antenna



Left Front Door Handle Antenna

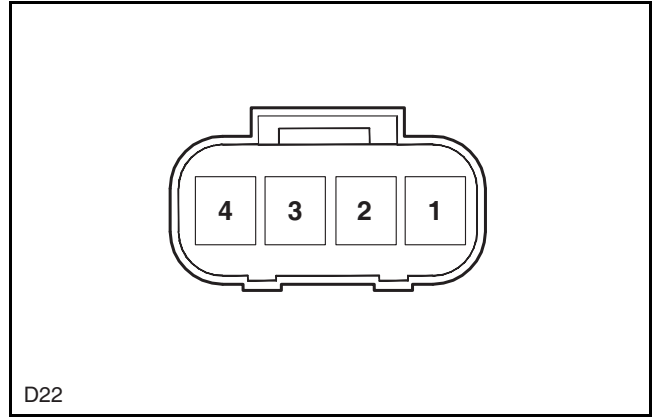
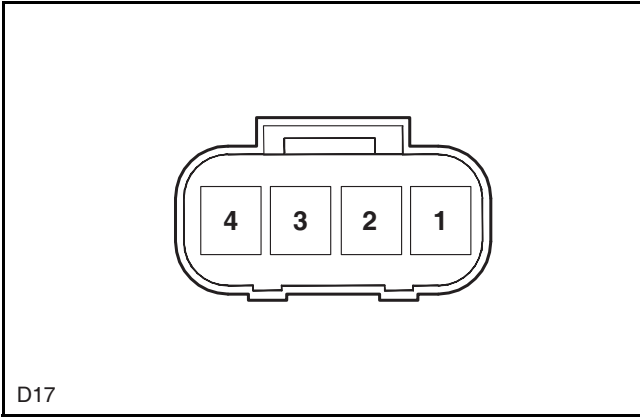


S19

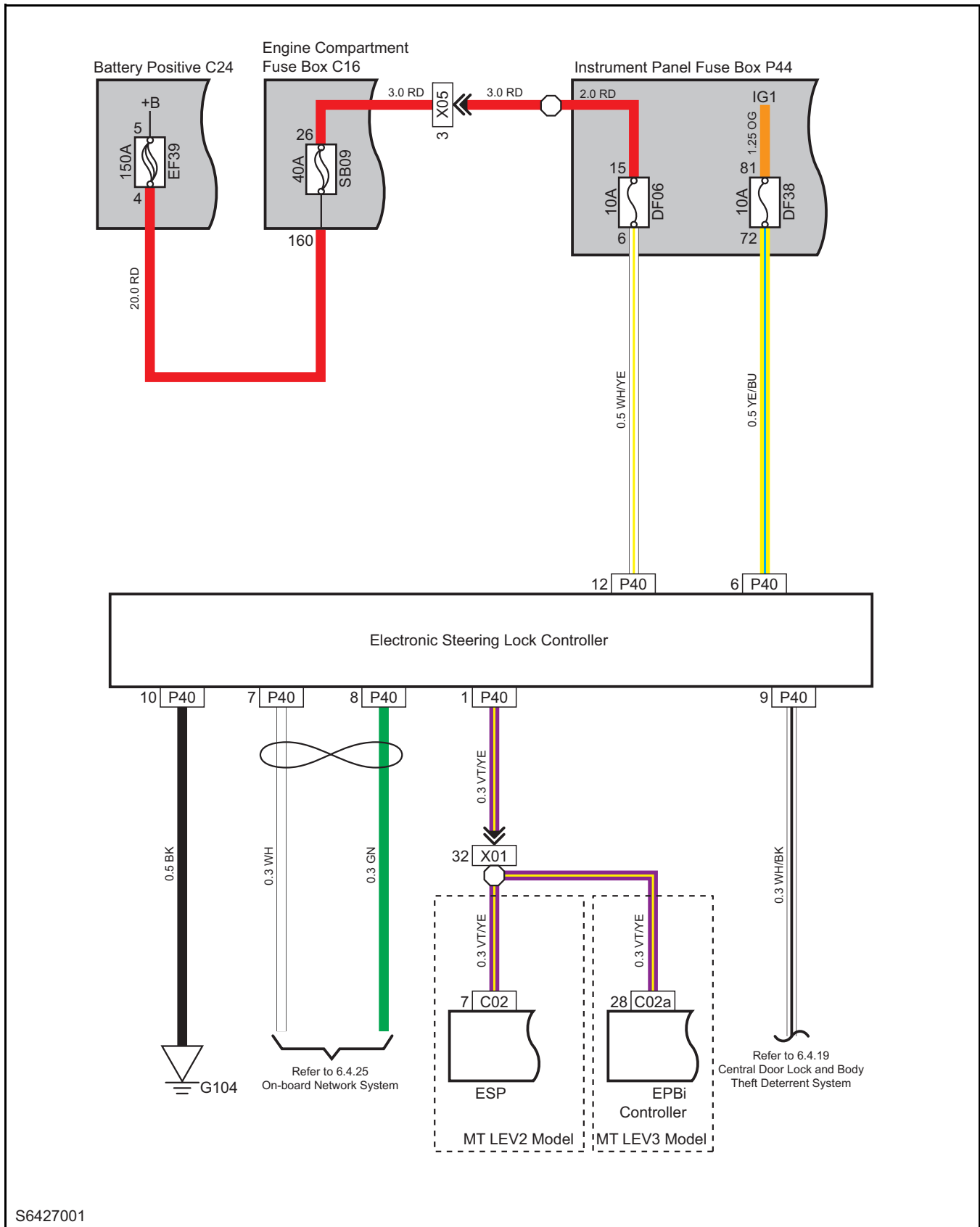
D09

Left Side Antenna

Right Side Antenna

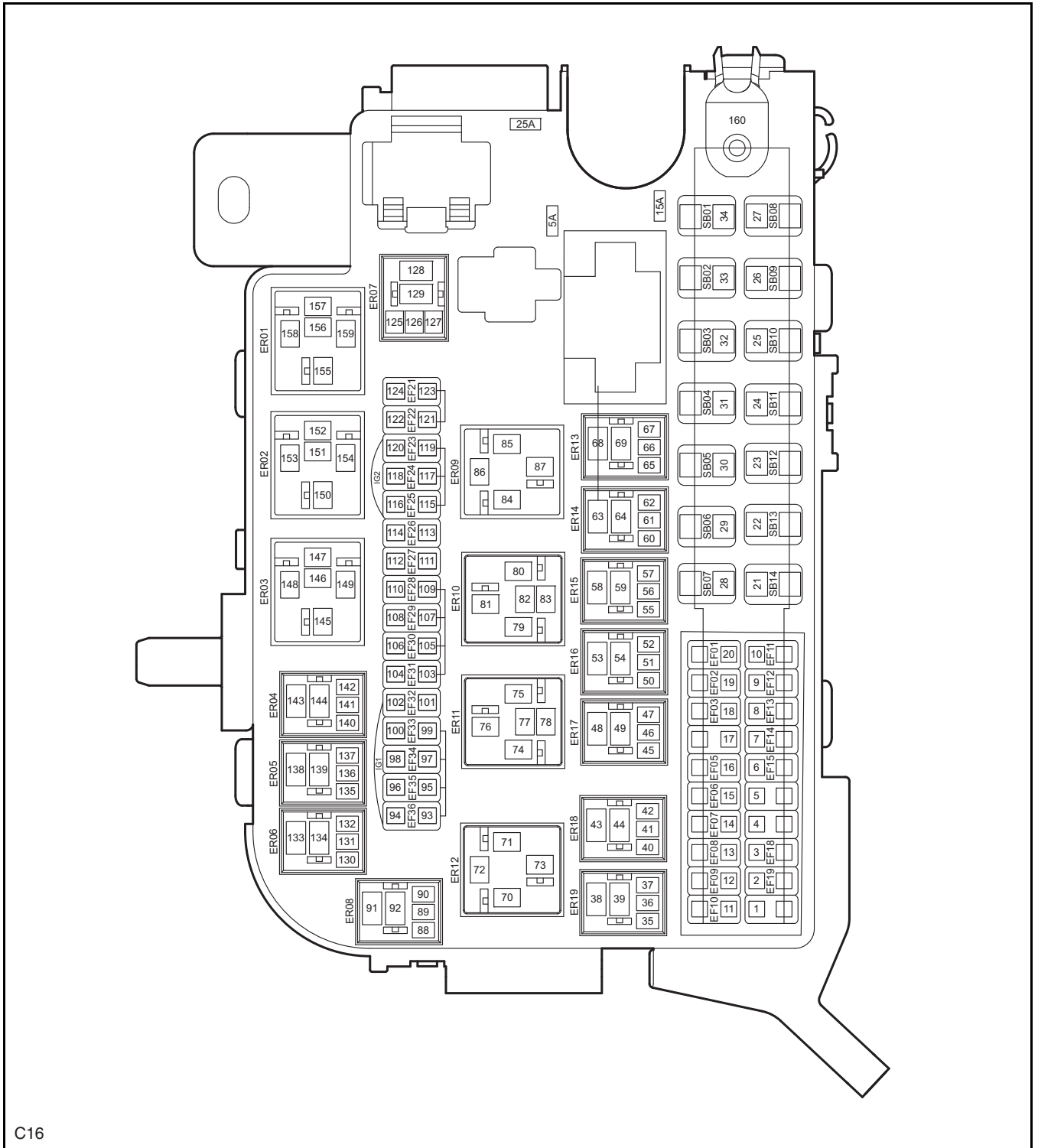


Electronic Steering Lock



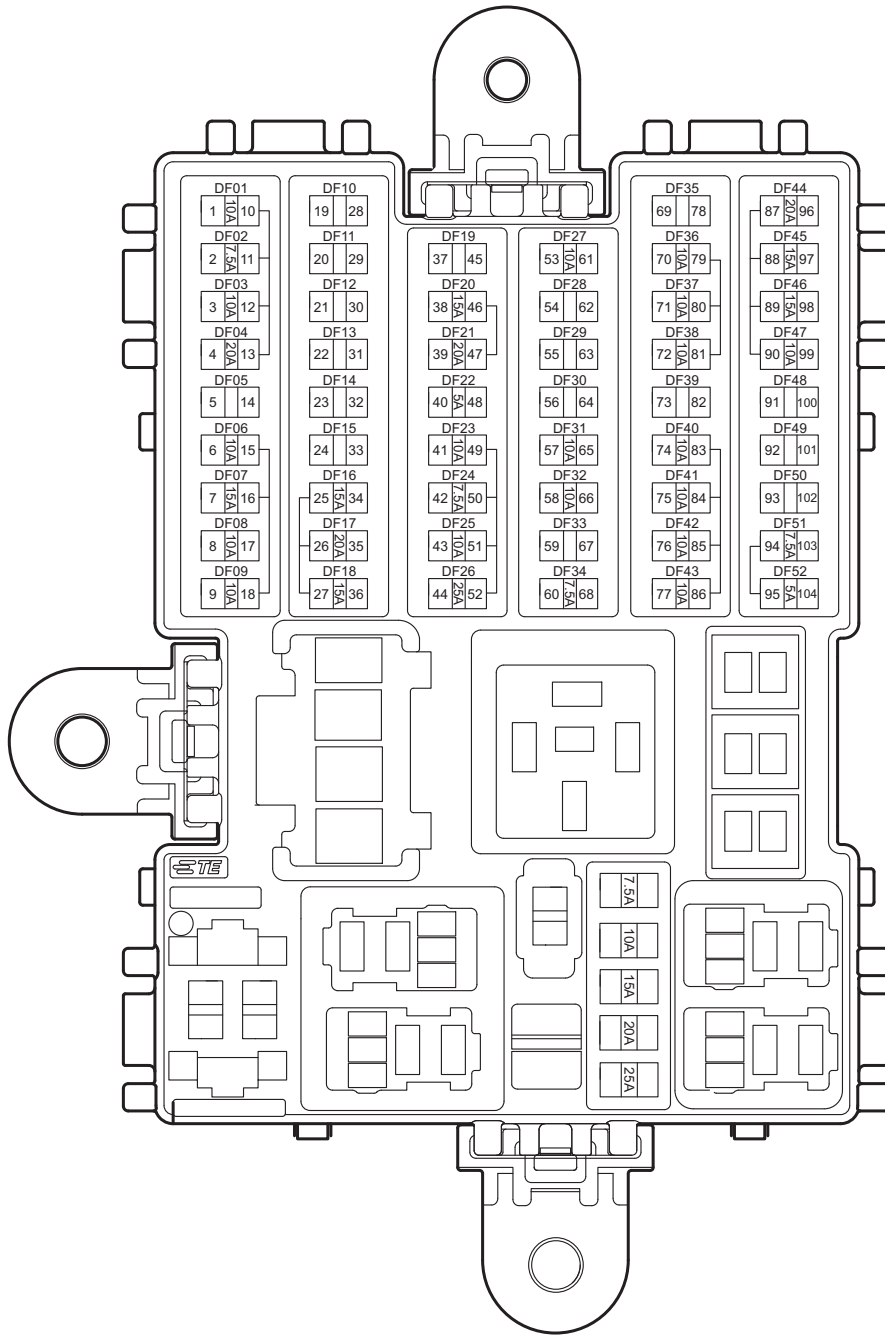
S6427001

Engine Compartment Fuse Box



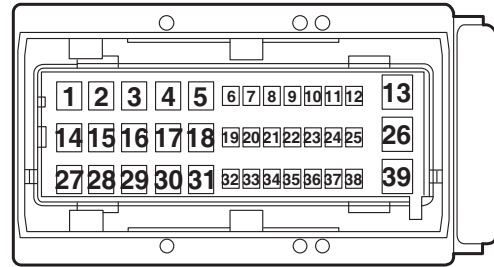
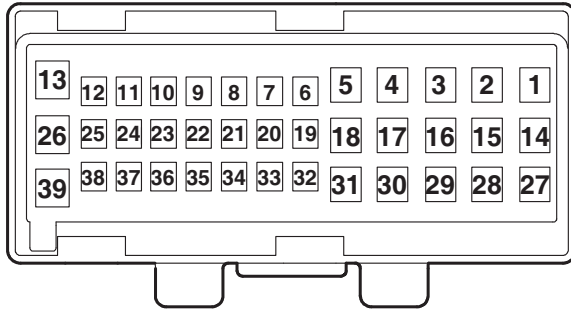
C16

Instrument Panel Fuse Box



Engine Compartment Wiring Harness to Instrument Panel Wiring Harness E

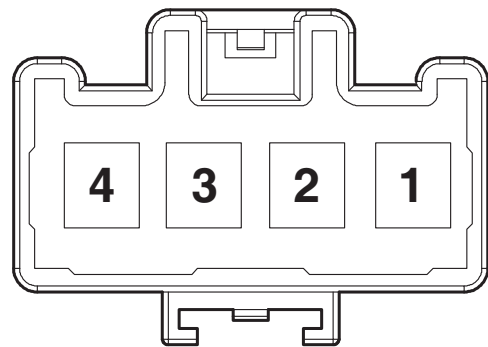
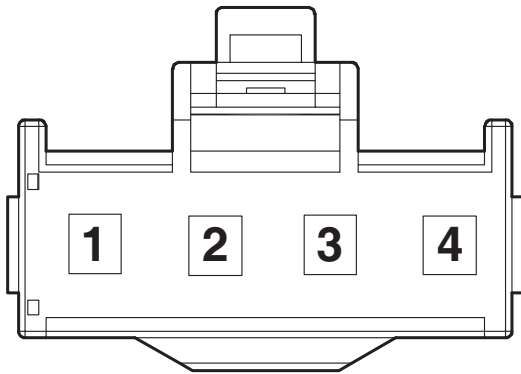
Instrument Panel Wiring Harness to Engine Compartment Wiring Harness E



X01

Engine Compartment Wiring Harness to Instrument Panel Wiring Harness C

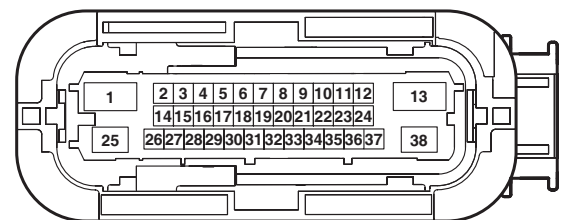
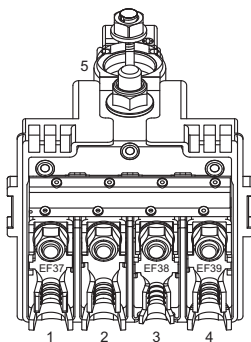
Instrument Panel Wiring Harness to Engine Compartment Wiring Harness C



X05

Battery Positive

Body Stability Controller (ESP)

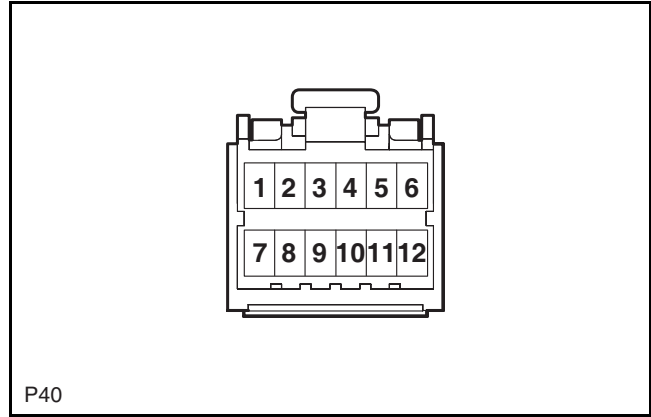
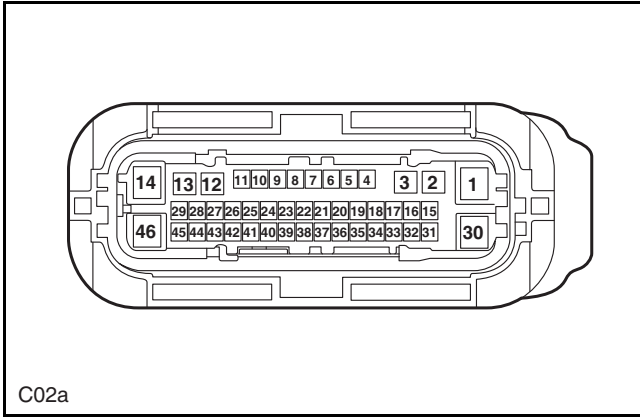


C24

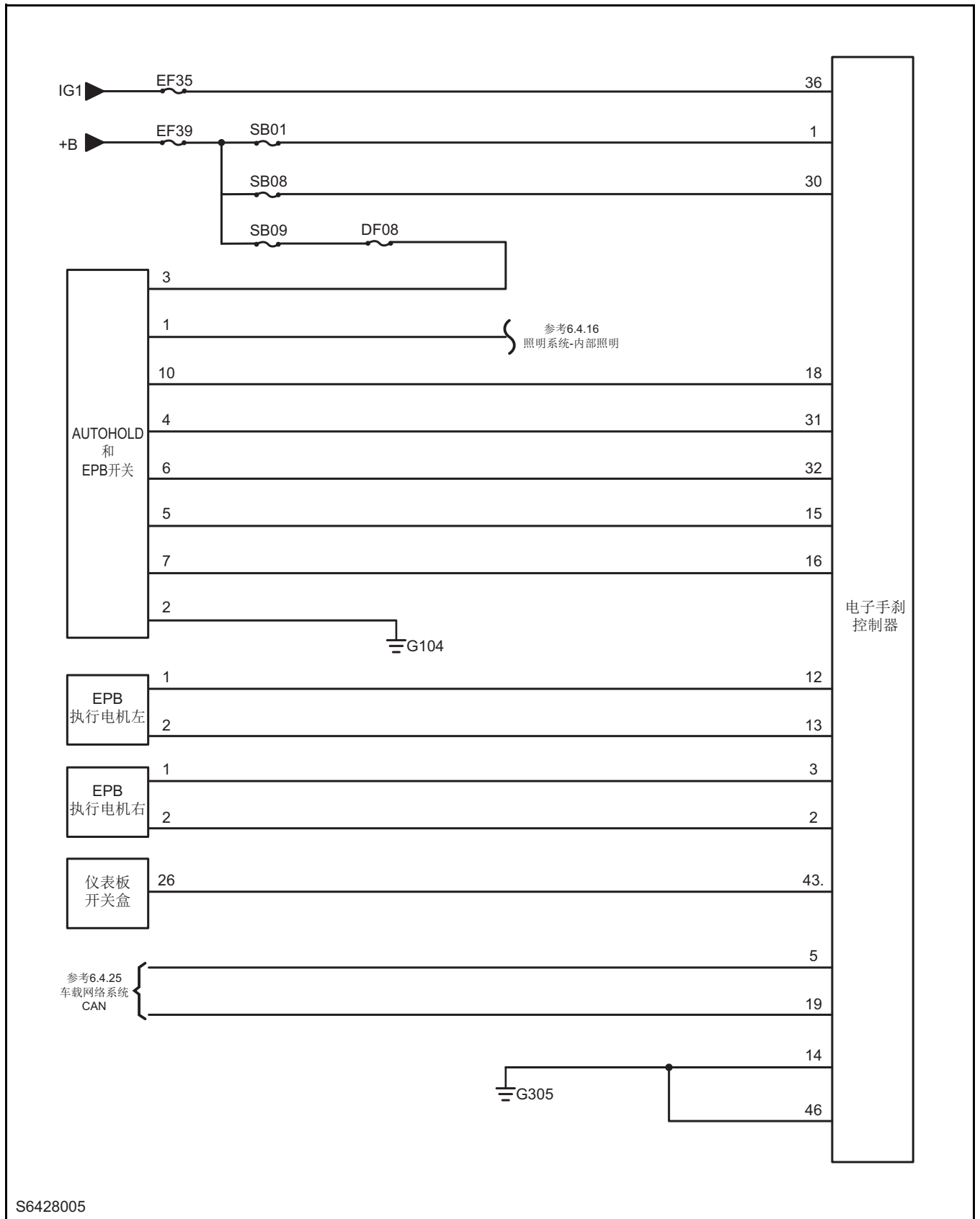
C02

Electronic Parking Brake Controller (EPBi)

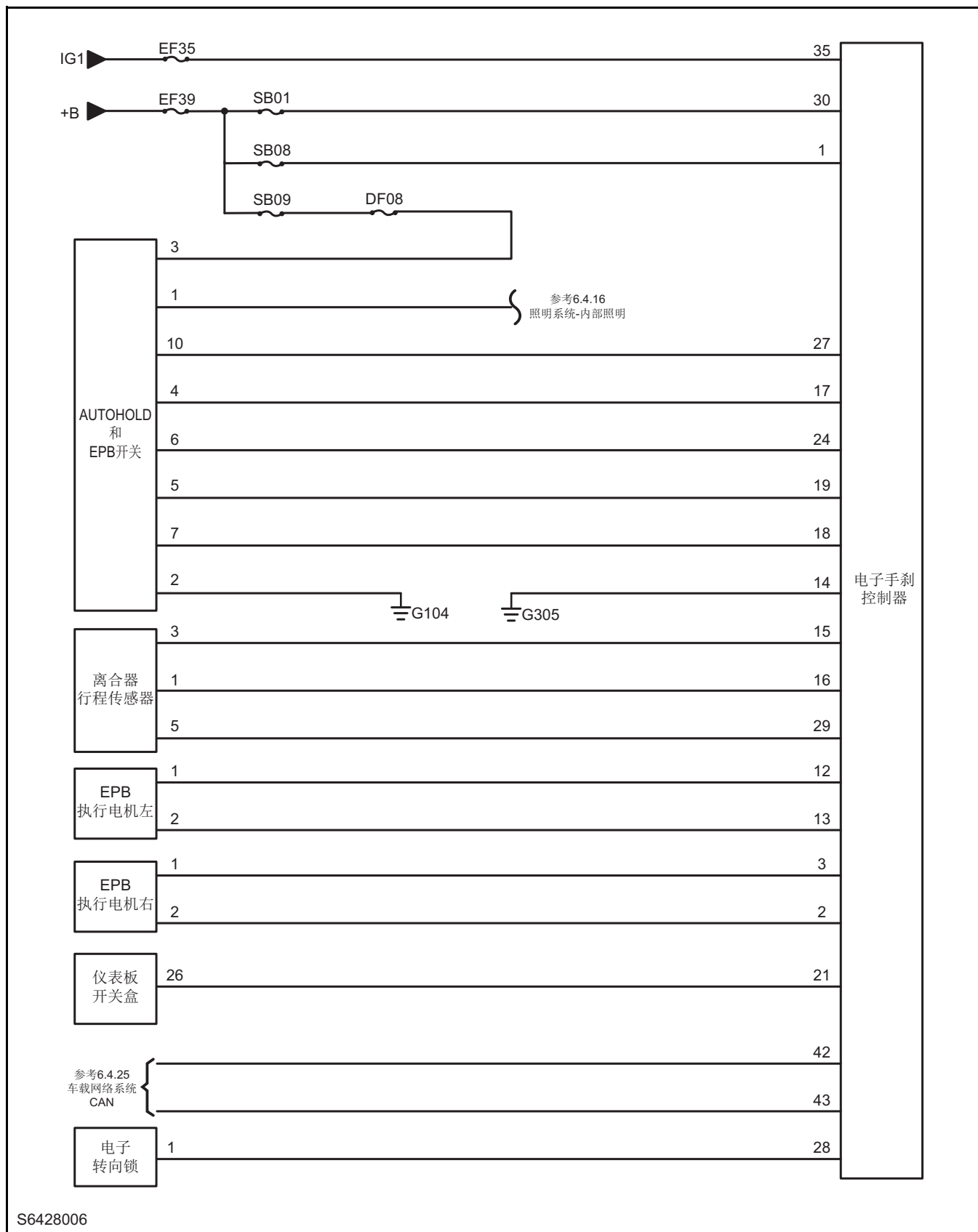
Electronic Steering Lock Controller



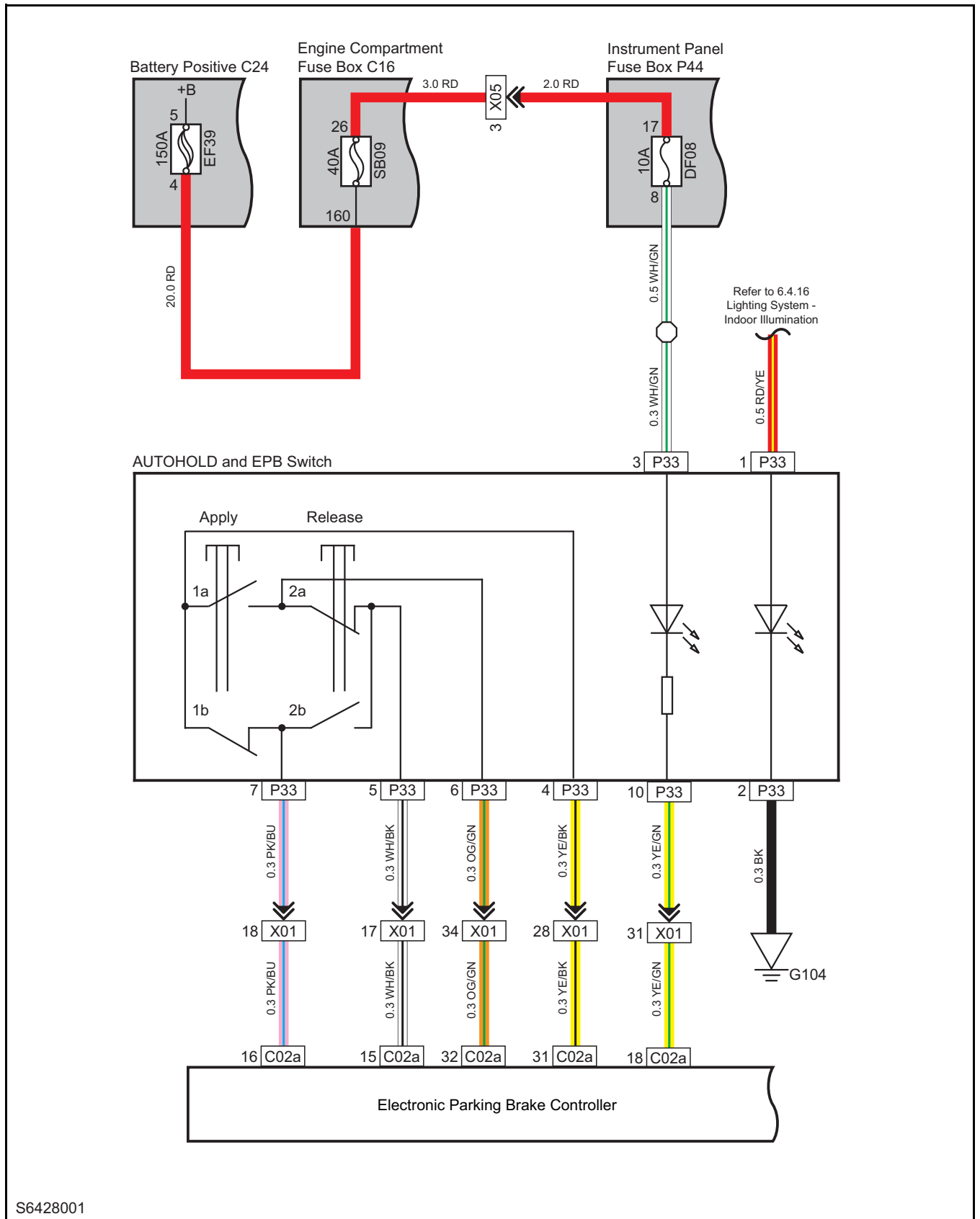
Electronic Parking Brake System (for AT LEV2, AT LEV3 Models)



Electronic Parking Brake System (for MT LEV3 Model)

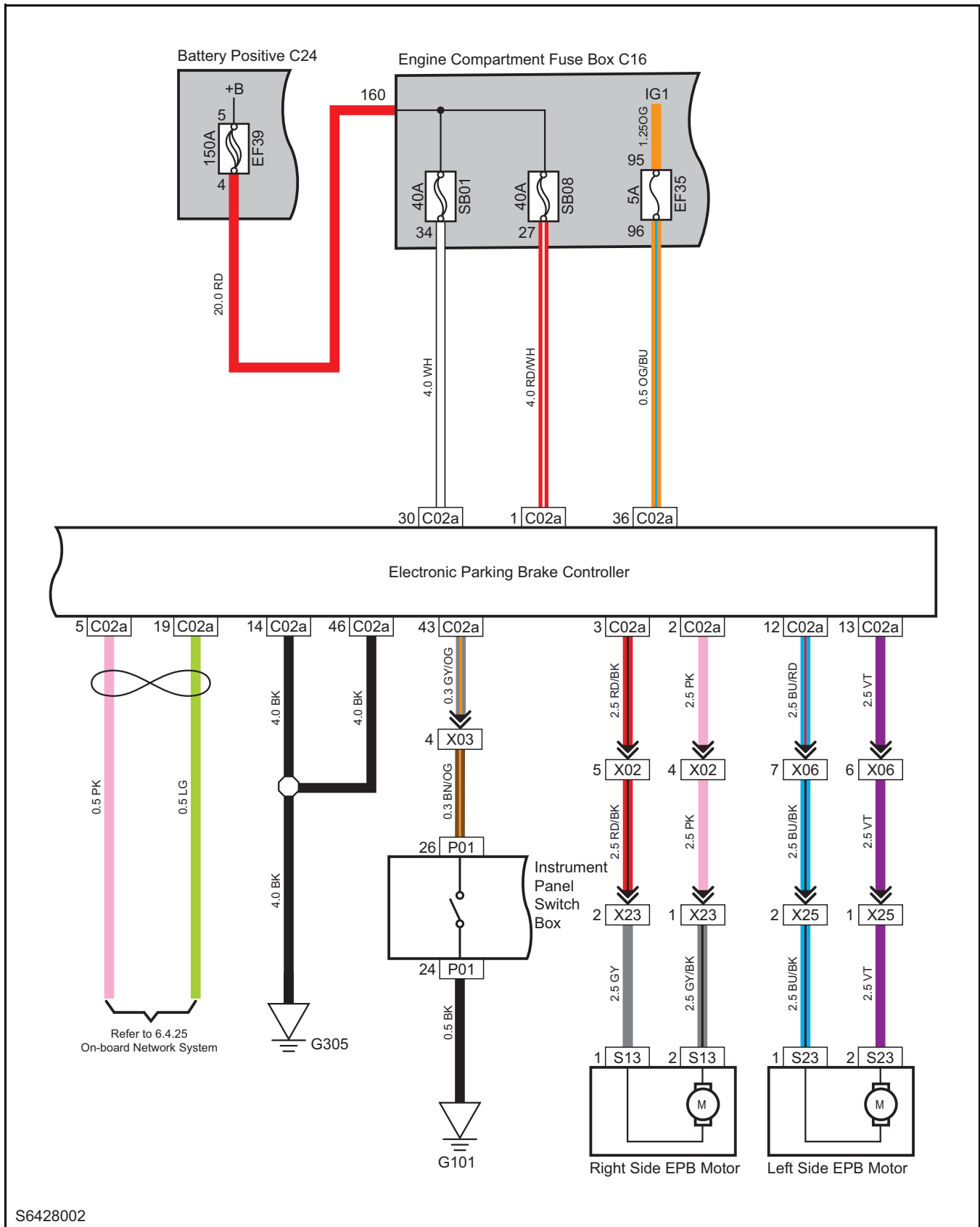


AUTOHOLD and EPB Switch (for AT LEV2, AT LEV3 Models)

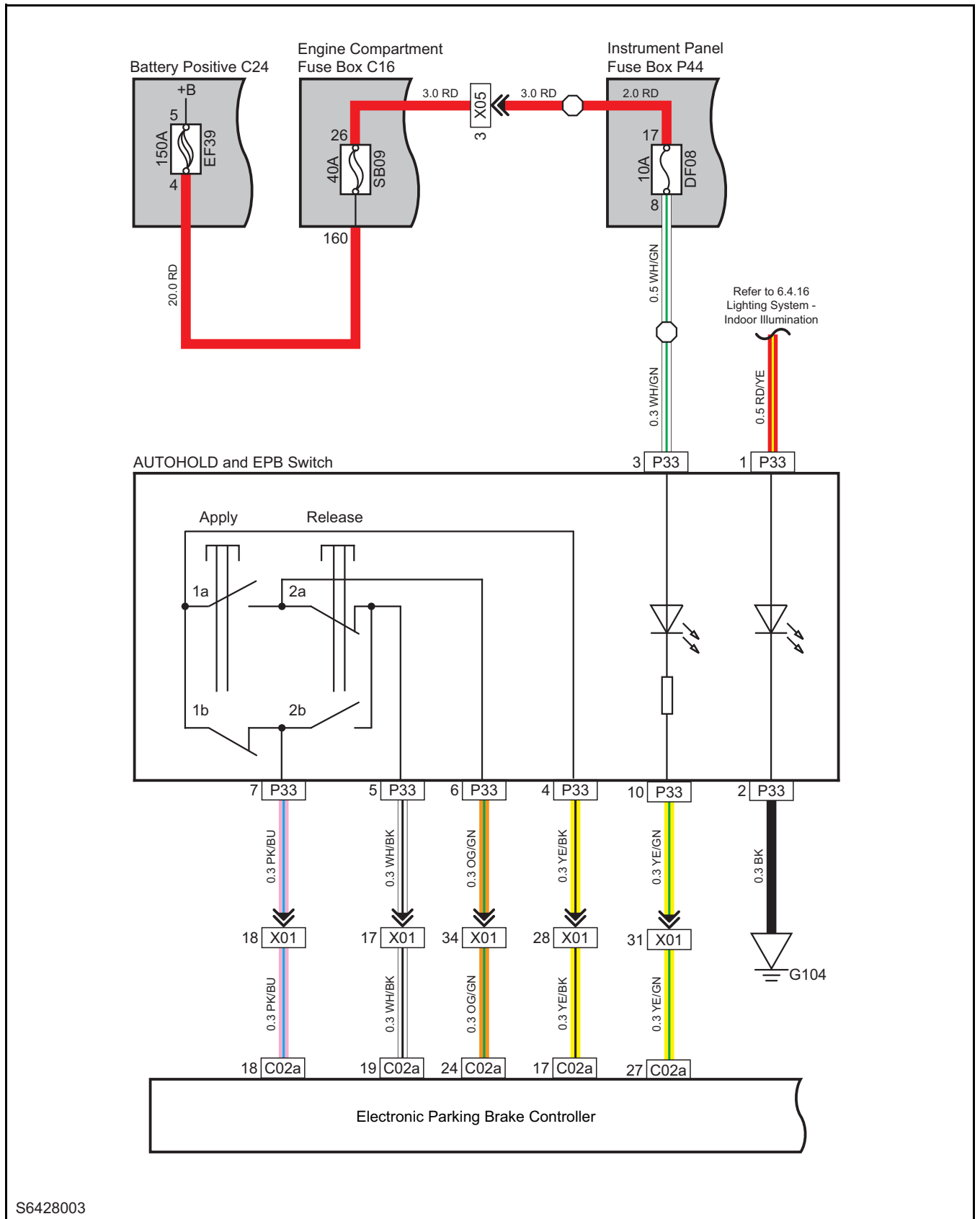


S6428001

Electronic Parking Brake Actuator Motor (for AT LEV2, AT LEV3 Models)

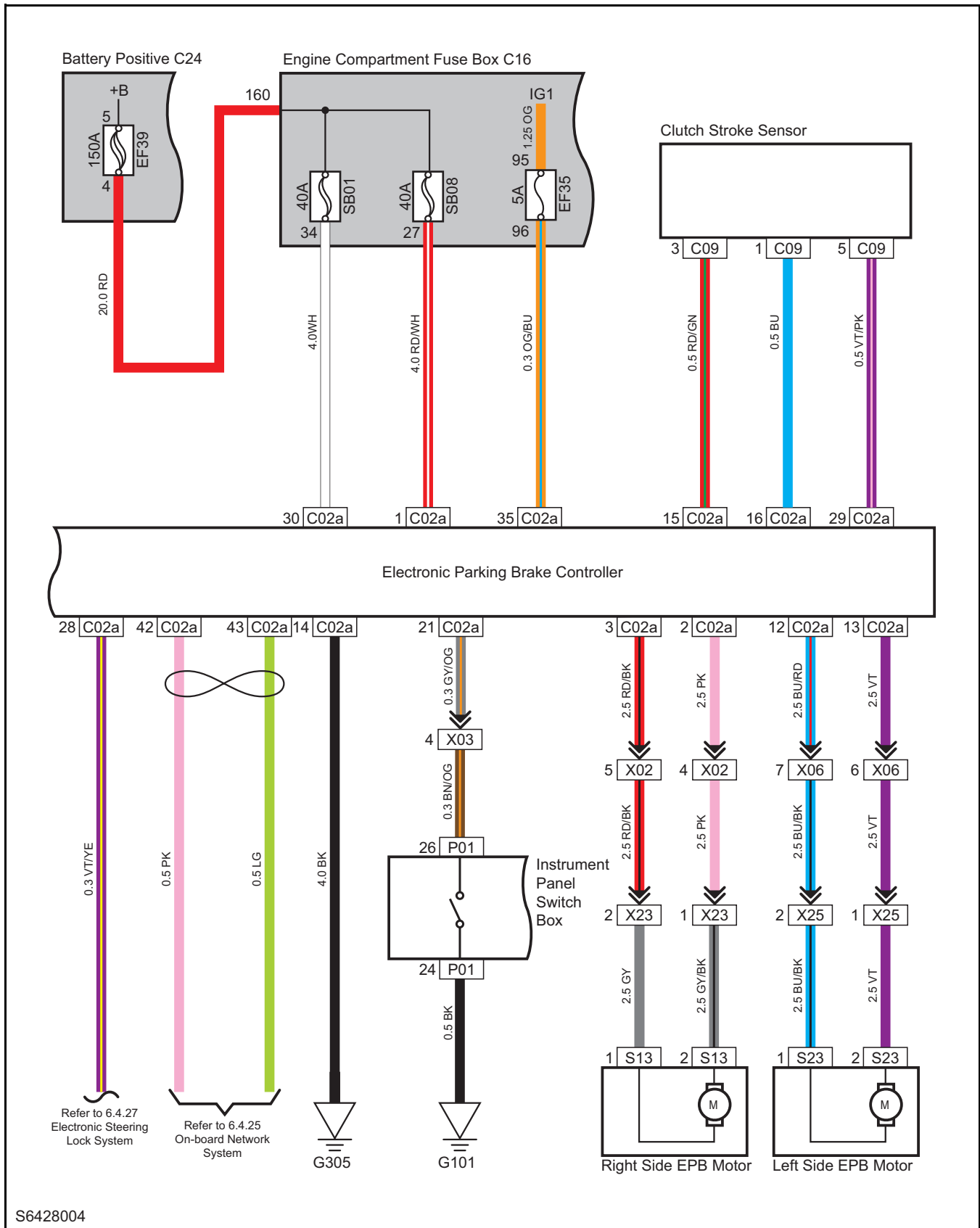


AUTOHOLD and EPB Switch (for MT LEV3 Model)

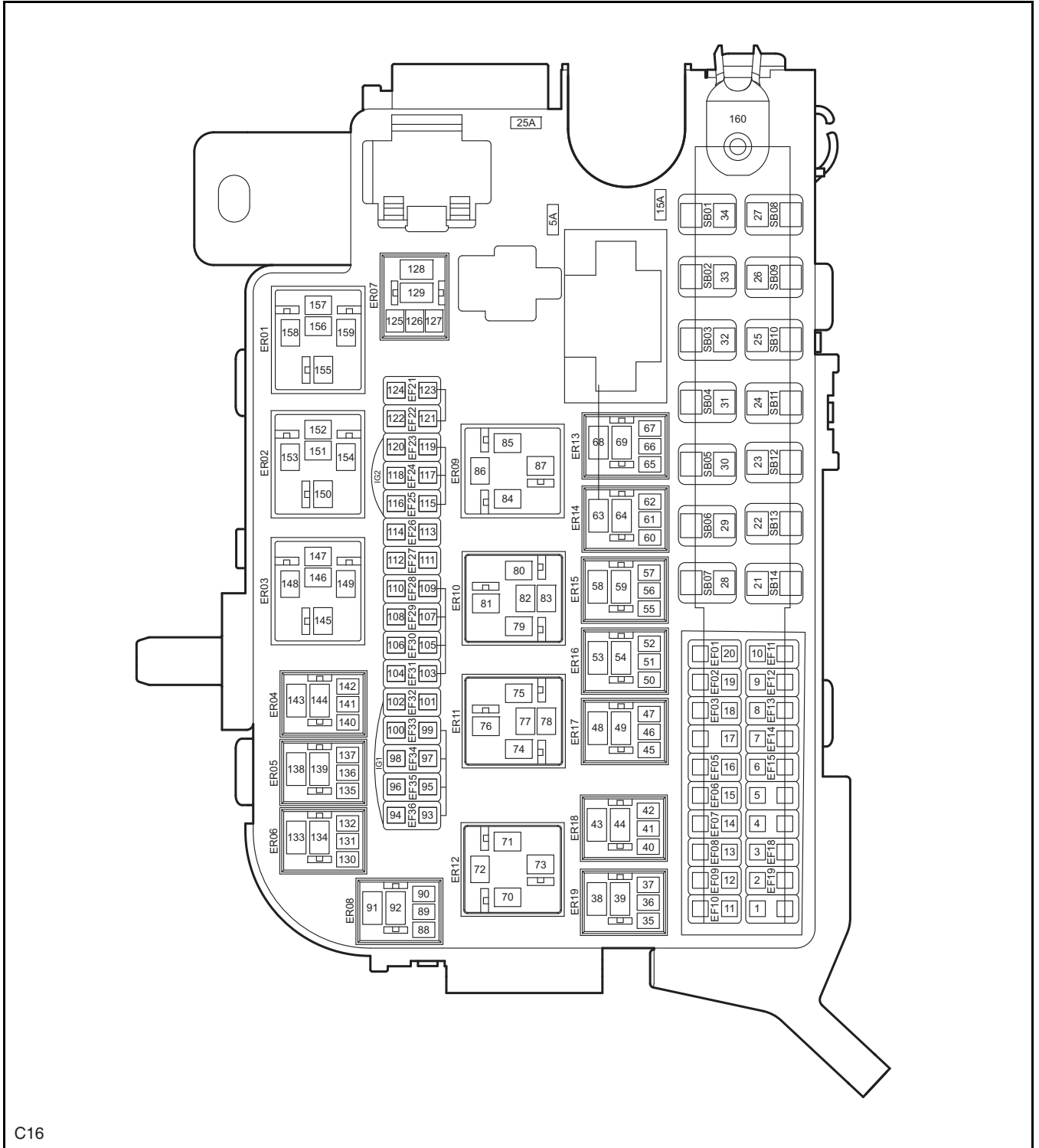


S6428003

Electronic Parking Brake Actuator Motor/Clutch Stroke Sensor (for MT LEV3 Model)

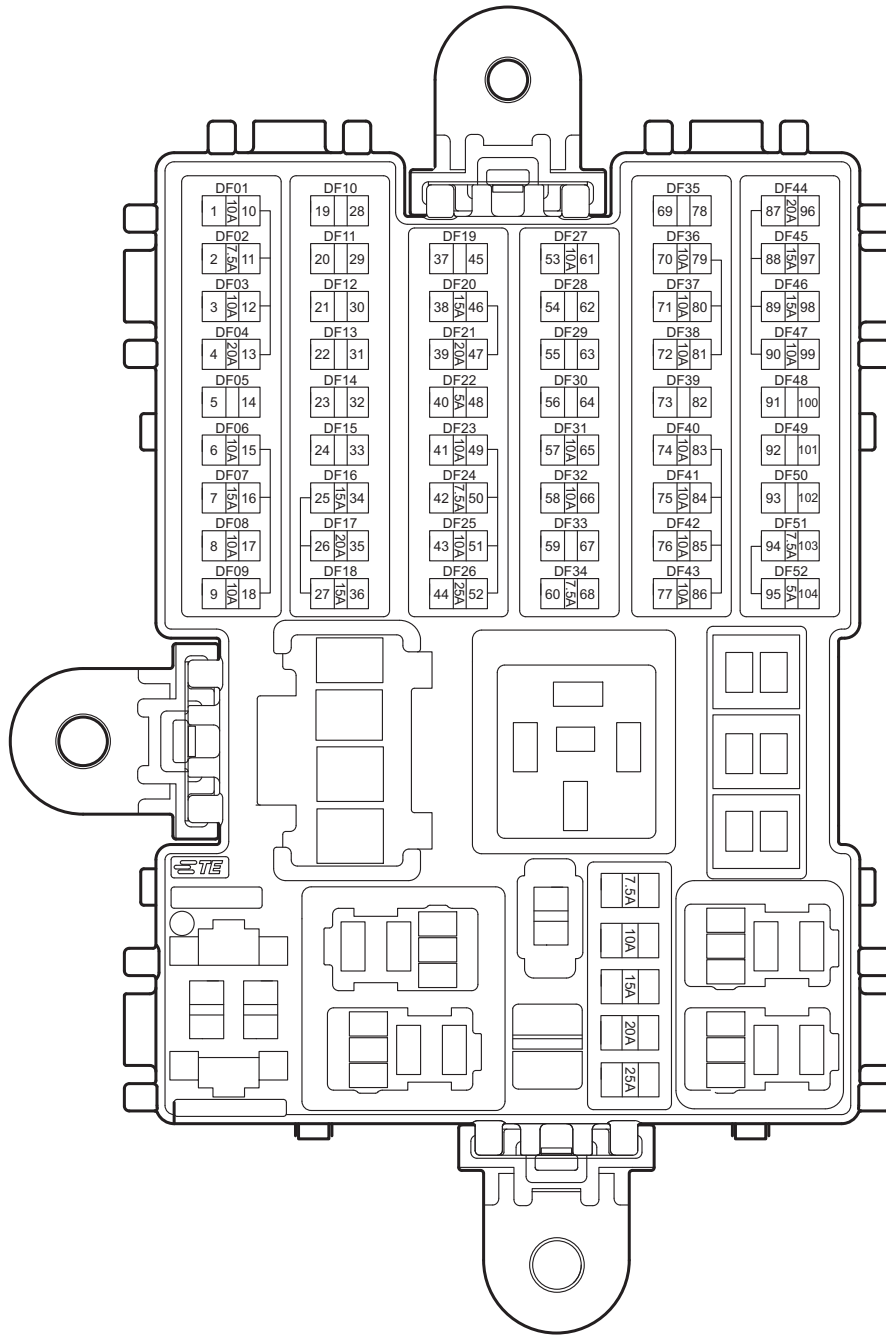


Engine Compartment Fuse Box



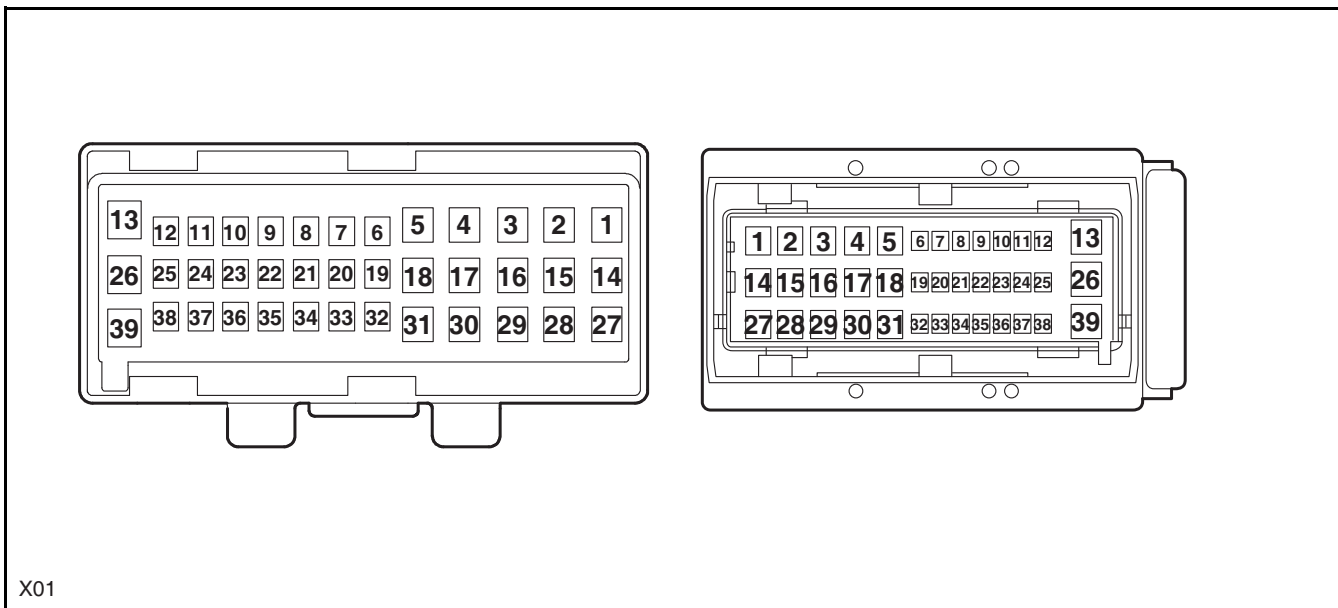
C16

Instrument Panel Fuse Box



Engine Compartment Wiring Harness to Instrument Panel Wiring Harness E

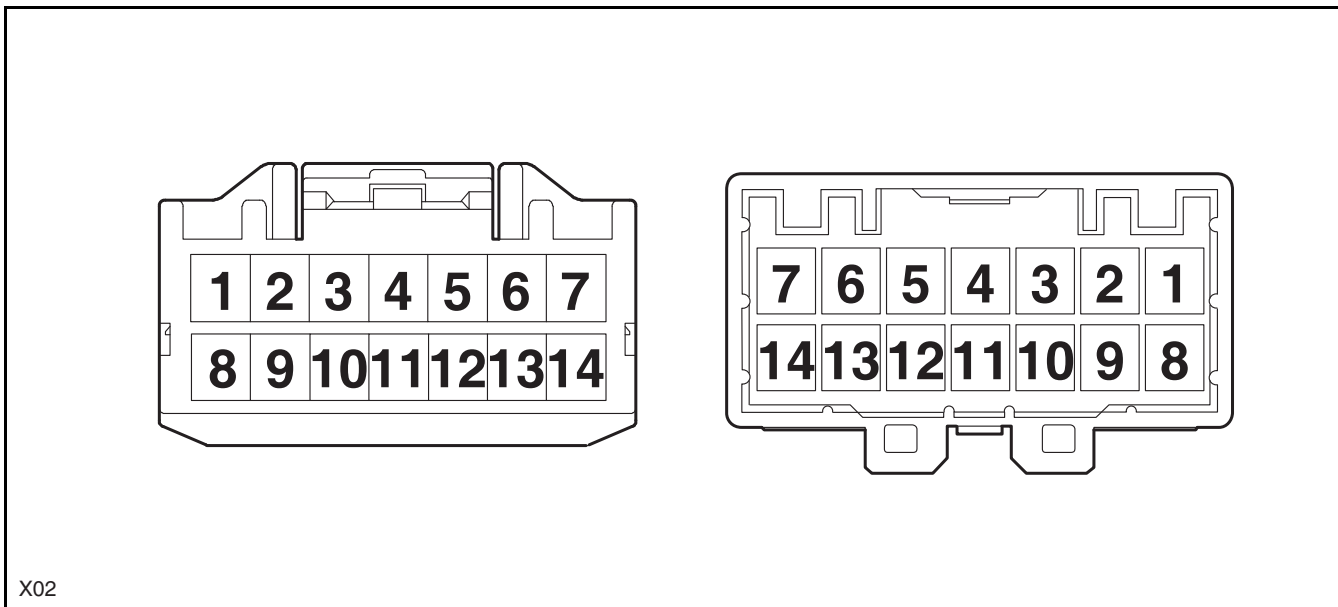
Instrument Panel Wiring Harness to Engine Compartment Wiring Harness E



X01

Engine Compartment Wiring Harness to Chassis Wiring Harness B

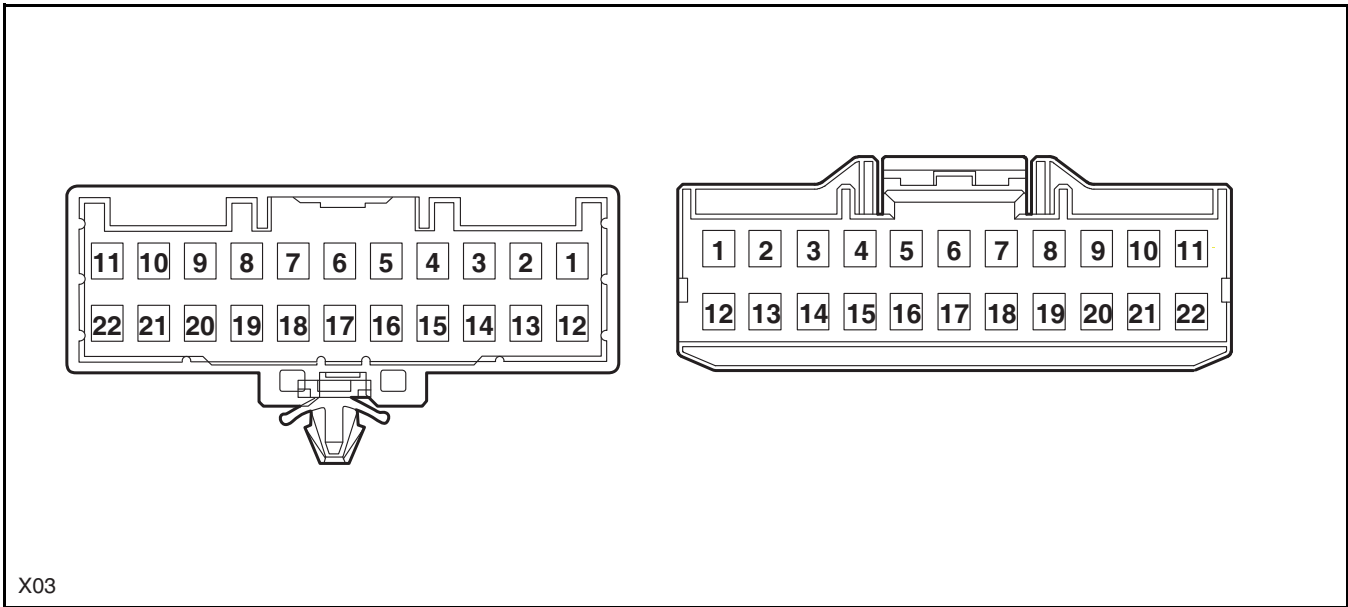
Chassis Wiring Harness to Engine Compartment Wiring Harness B



X02

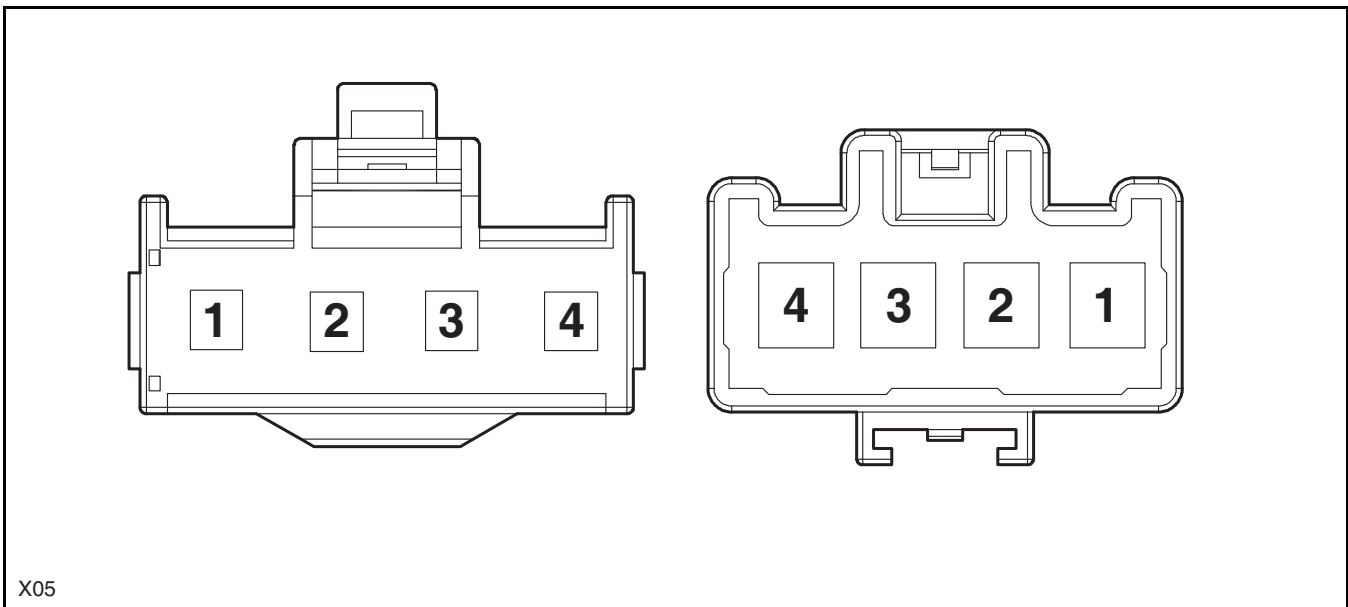
Engine Compartment Wiring Harness to Instrument Panel Wiring Harness D

Instrument Panel Wiring Harness to Engine Compartment Wiring Harness D



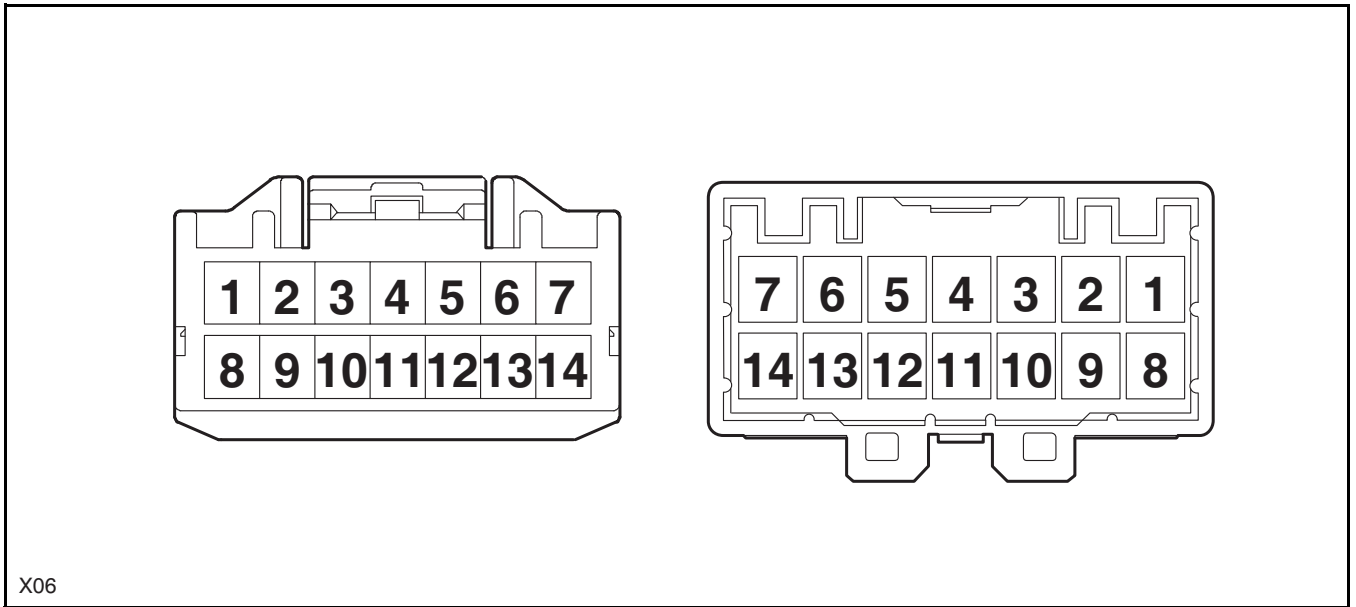
Engine Compartment Wiring Harness to Instrument Panel Wiring Harness C

Instrument Panel Wiring Harness to Engine Compartment Wiring Harness C



Engine Compartment Wiring Harness to Chassis
Wiring Harness A

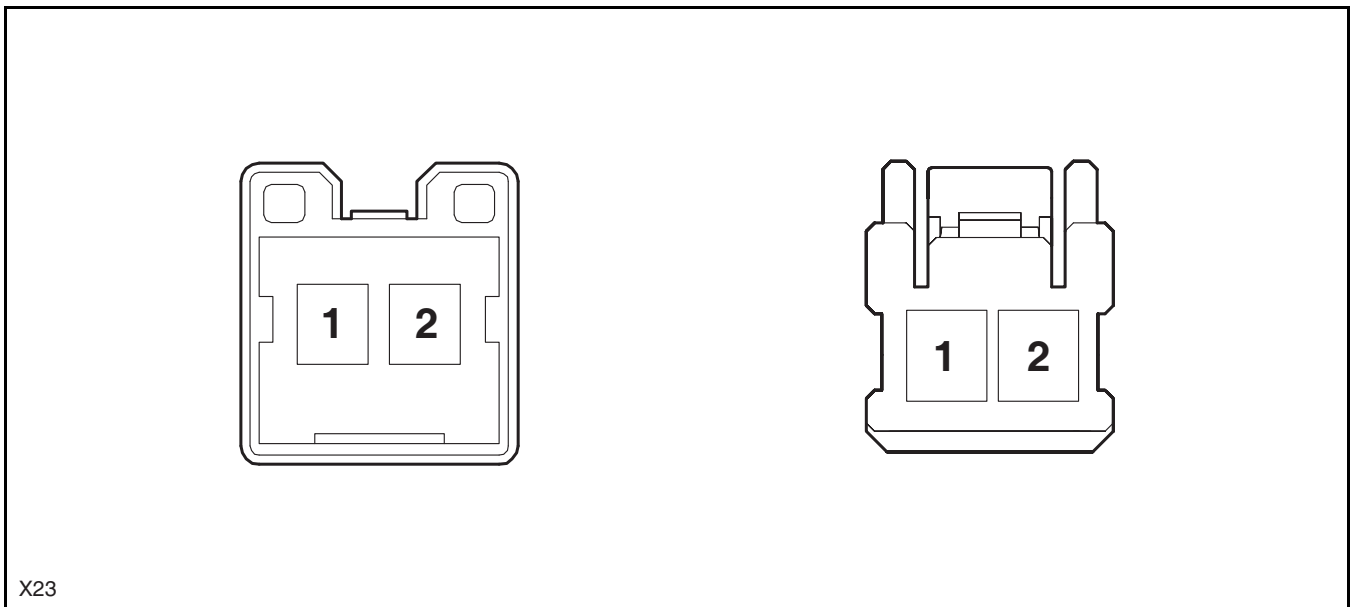
Chassis Wiring Harness to Engine Compartment
Wiring Harness A



X06

Chassis Wiring Harness to Right EPB Motor Wiring
Harness

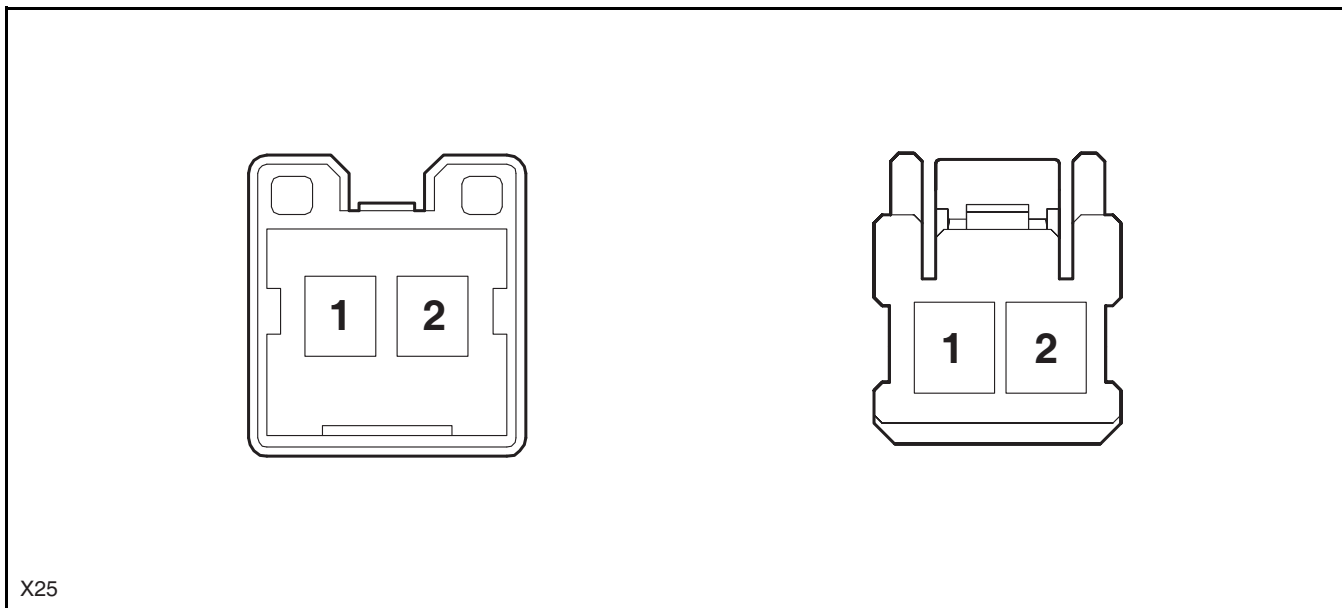
Right EPB Motor Wiring Harness to Chassis Wiring
Harness



X23

Chassis Wiring Harness to Left EPB Motor Wiring Harness

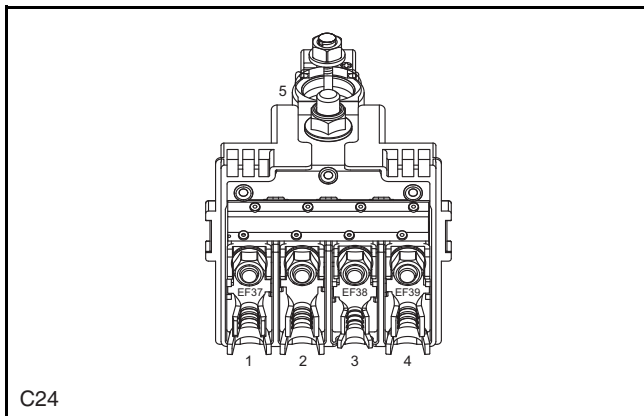
Left EPB Motor Wiring Harness to Chassis Wiring Harness



X25

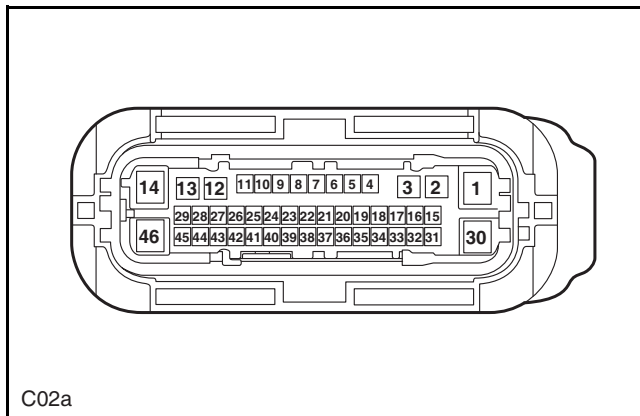
Battery Positive

Electronic Parking Brake Controller (EPBi)



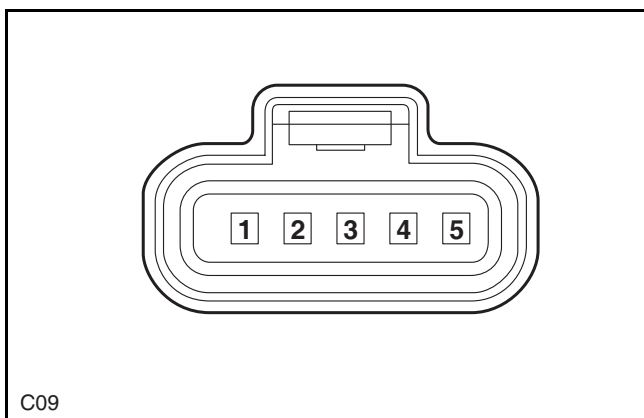
C24

Clutch Stroke Sensor

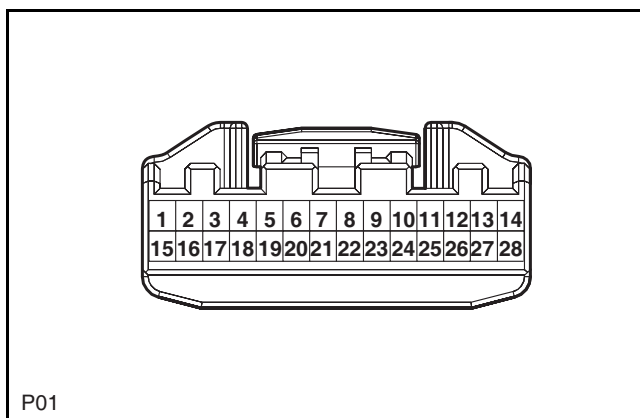


C02a

Instrument Panel Switch Box

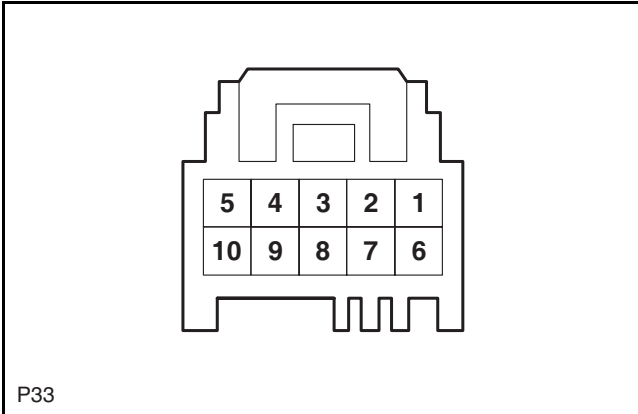


C09

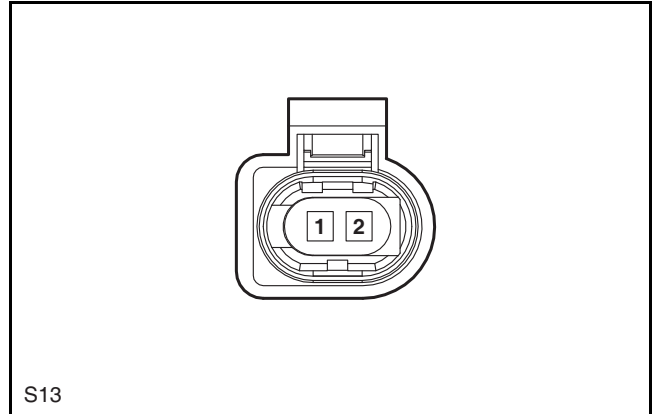


P01

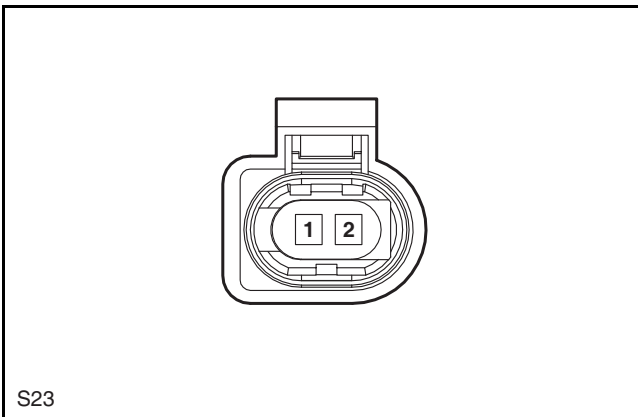
AUTOHOLD and EPB Switch



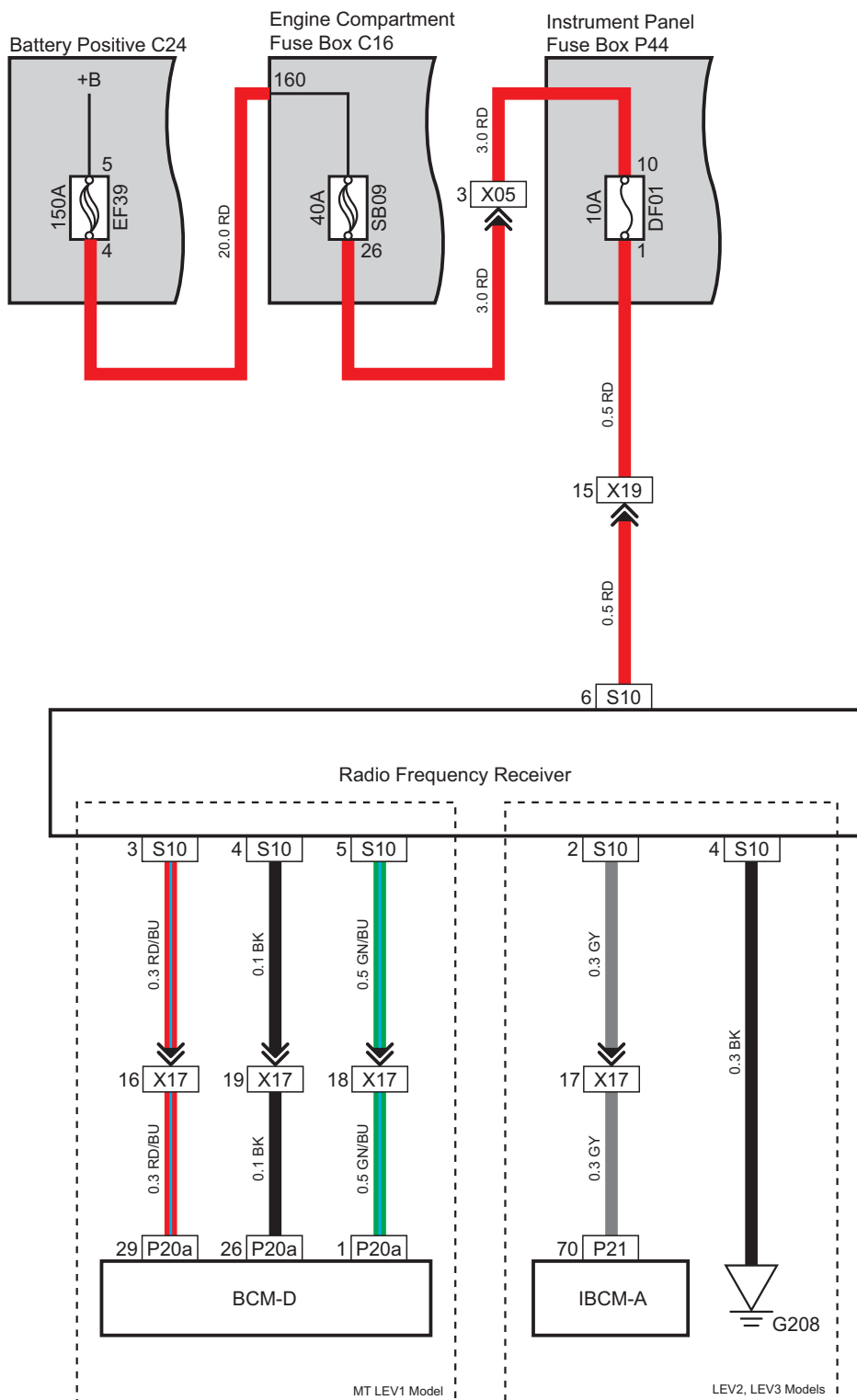
Right Side EPB Motor



Left Side EPB Motor

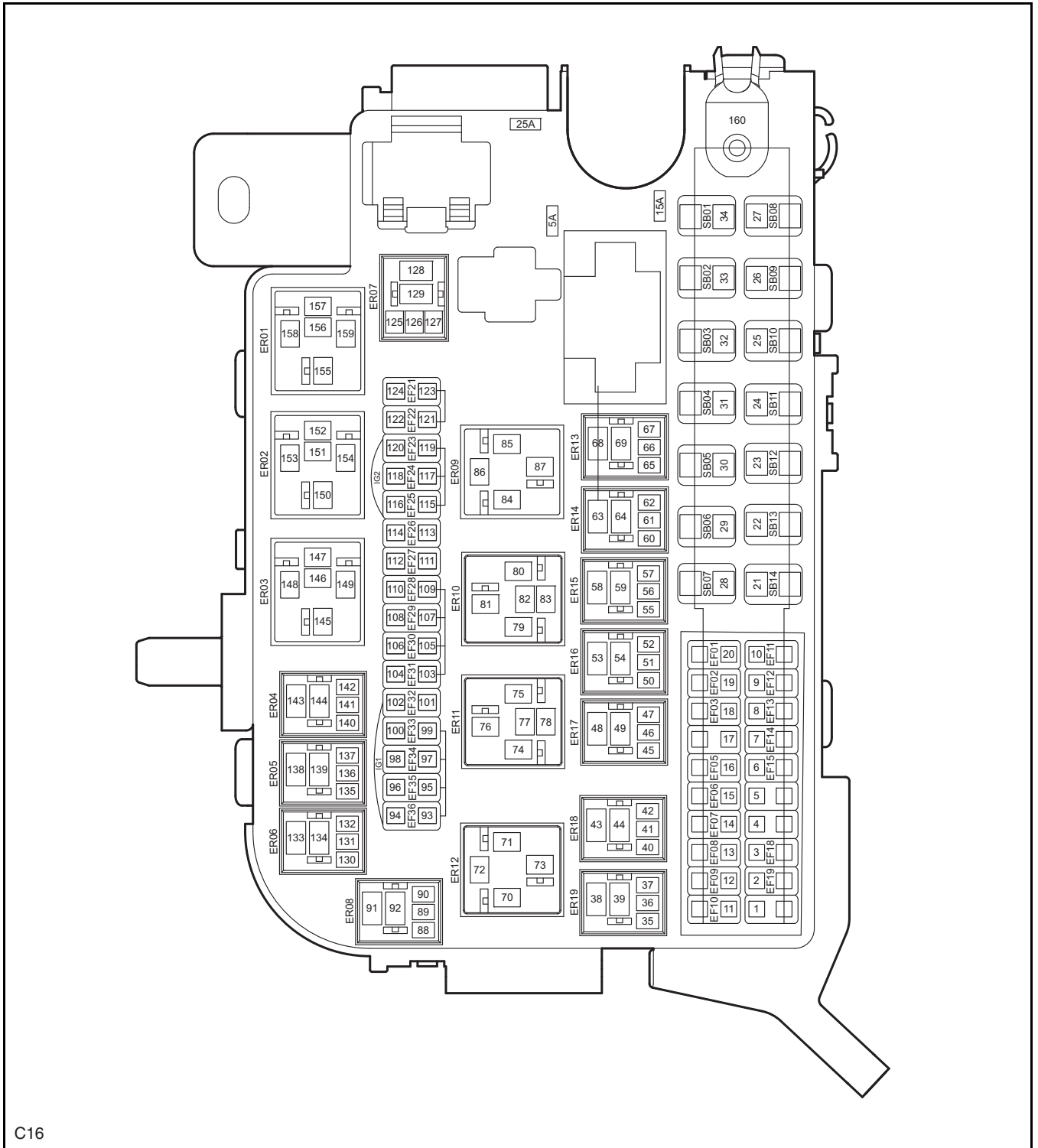


Tire Pressure Monitoring



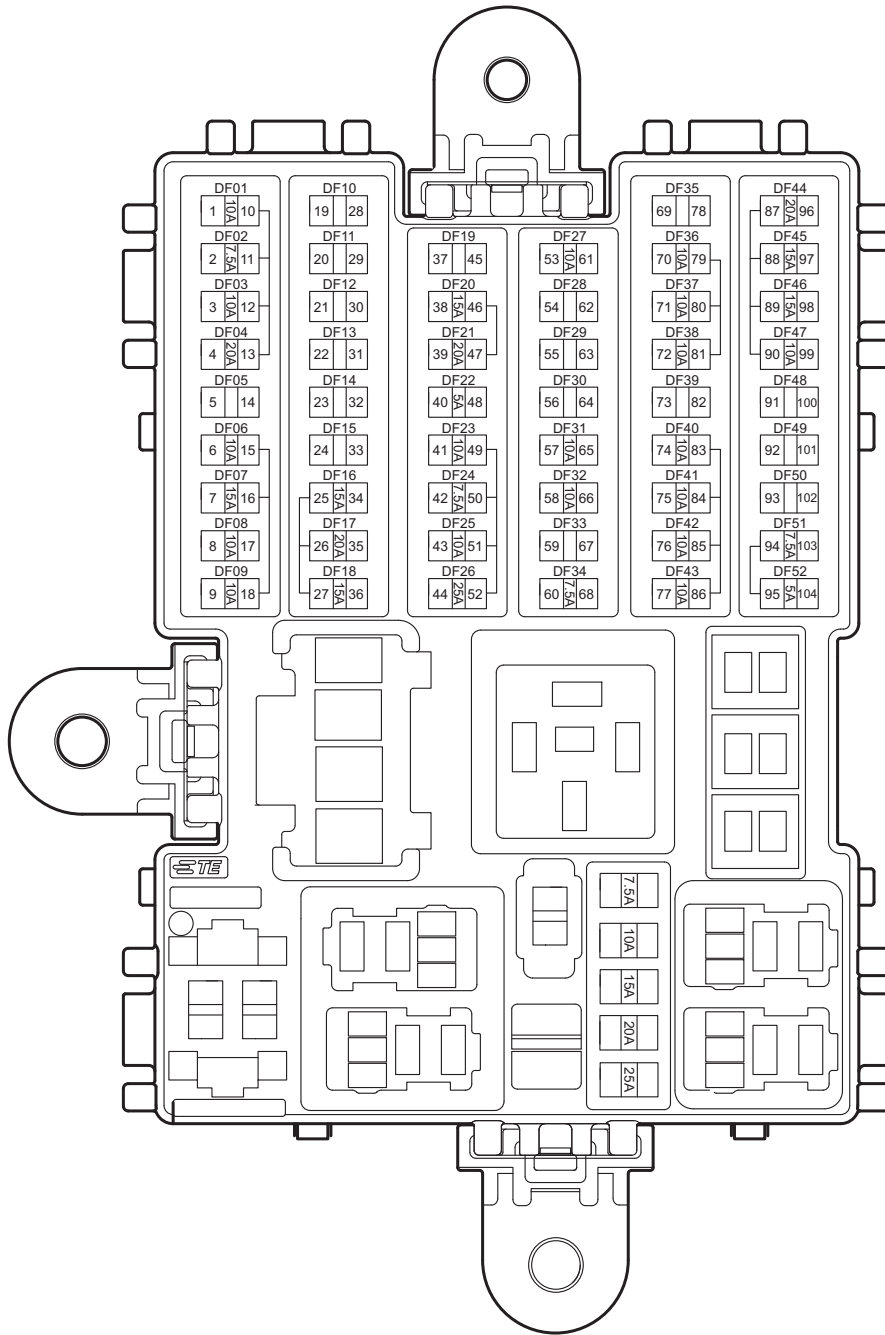
S6429001

Engine Compartment Fuse Box



C16

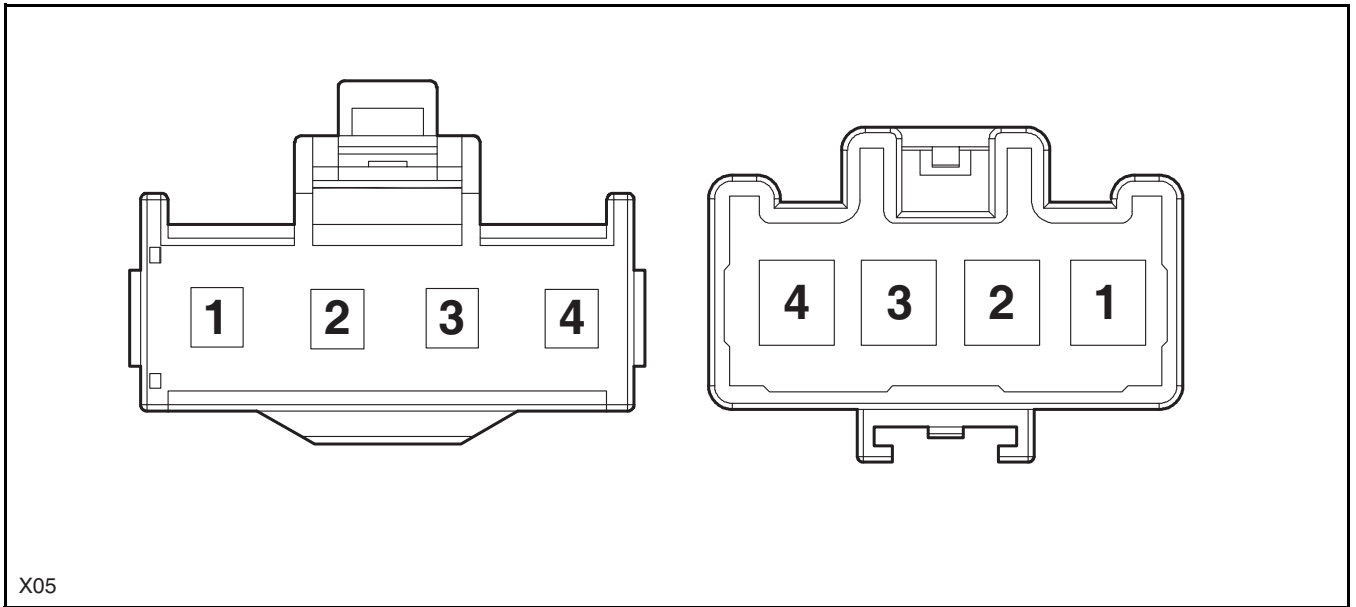
Instrument Panel Fuse Box



P44

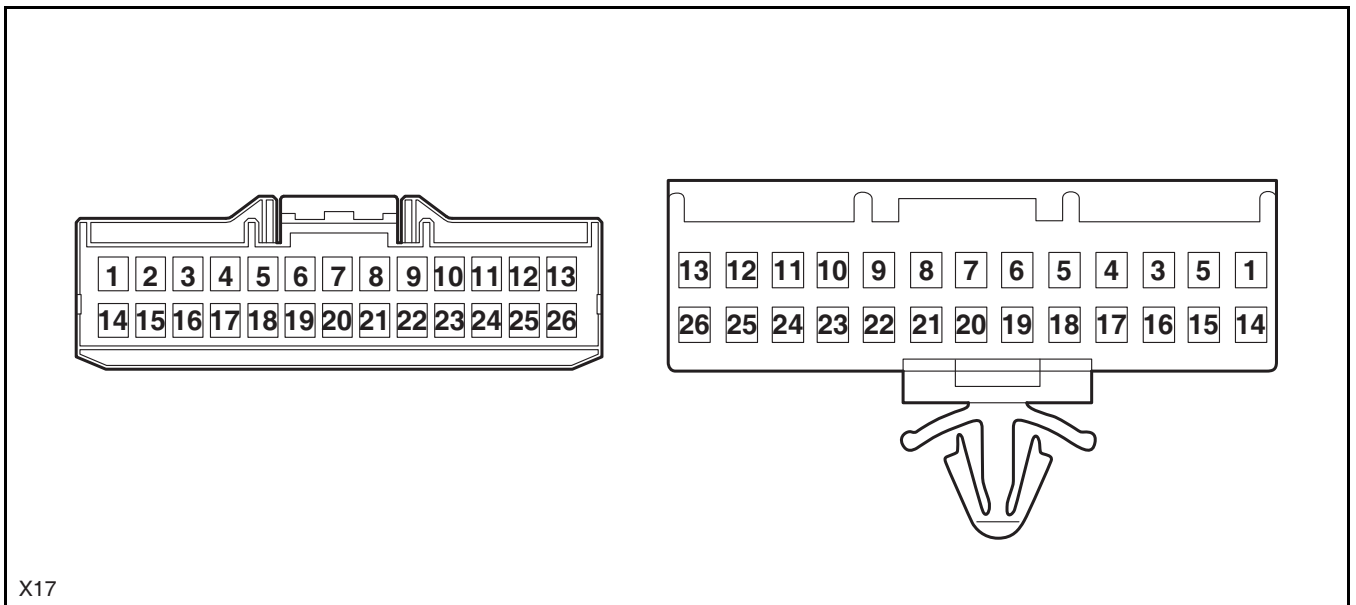
Engine Compartment Wiring Harness to Instrument Panel Wiring Harness C

Instrument Panel Wiring Harness to Engine Compartment Wiring Harness C



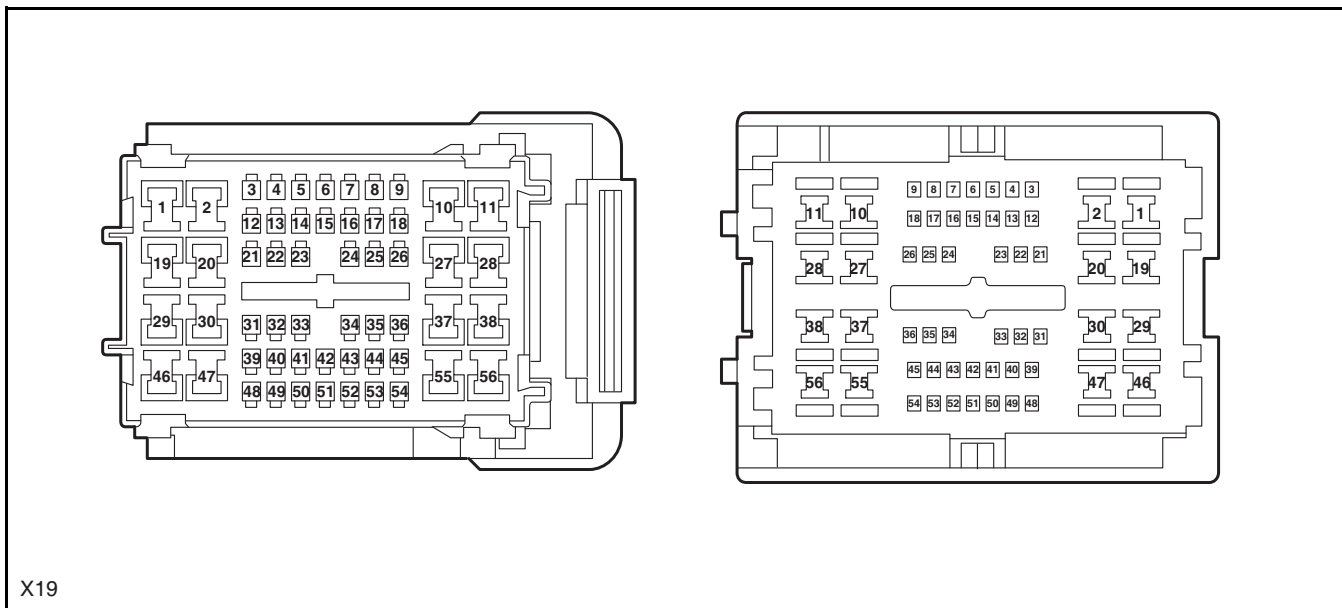
Instrument Panel Wiring Harness to Chassis Wiring Harness D

Chassis Wiring Harness to Instrument Panel Wiring Harness D



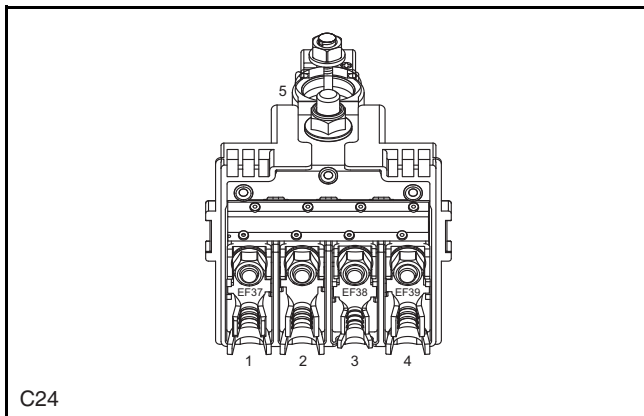
Instrument Panel Wiring Harness to Chassis Wiring Harness A

Chassis Wiring Harness to Instrument Panel Wiring Harness A

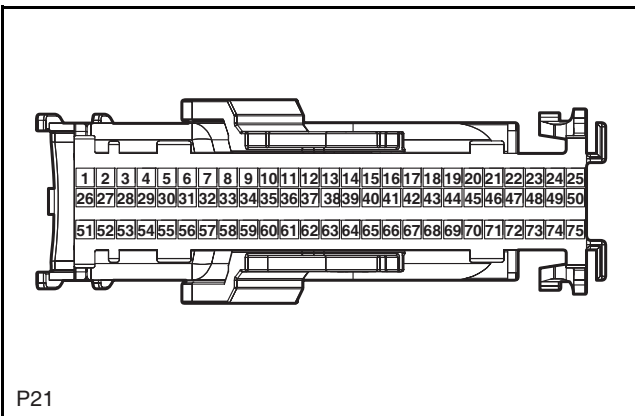


Battery Positive

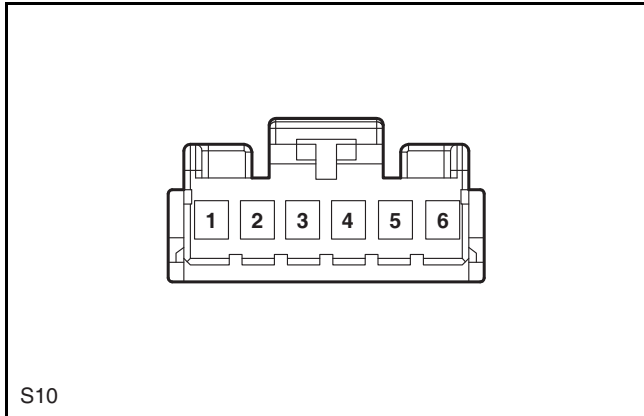
IBCM-A



Radio Frequency Receiver

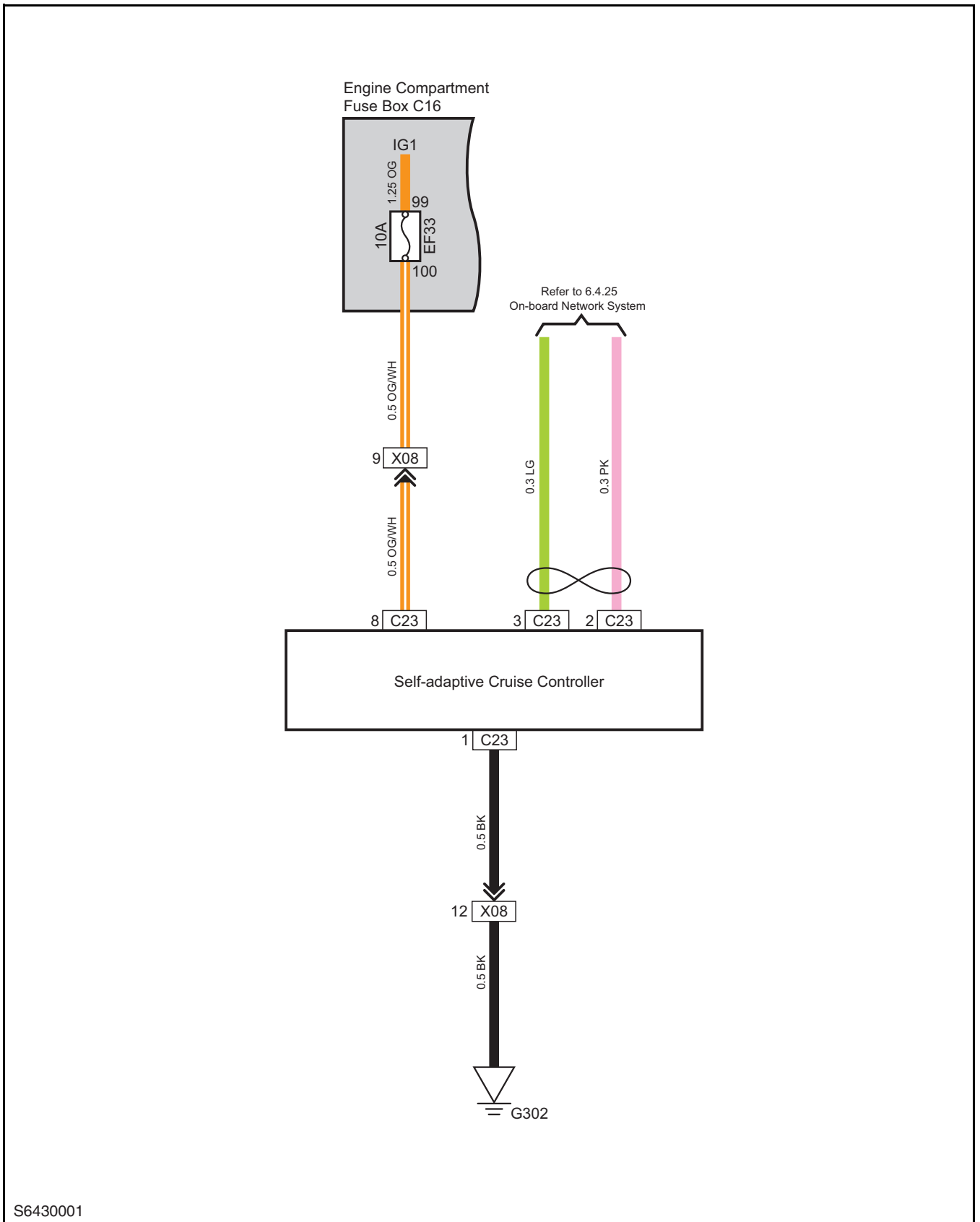


P21



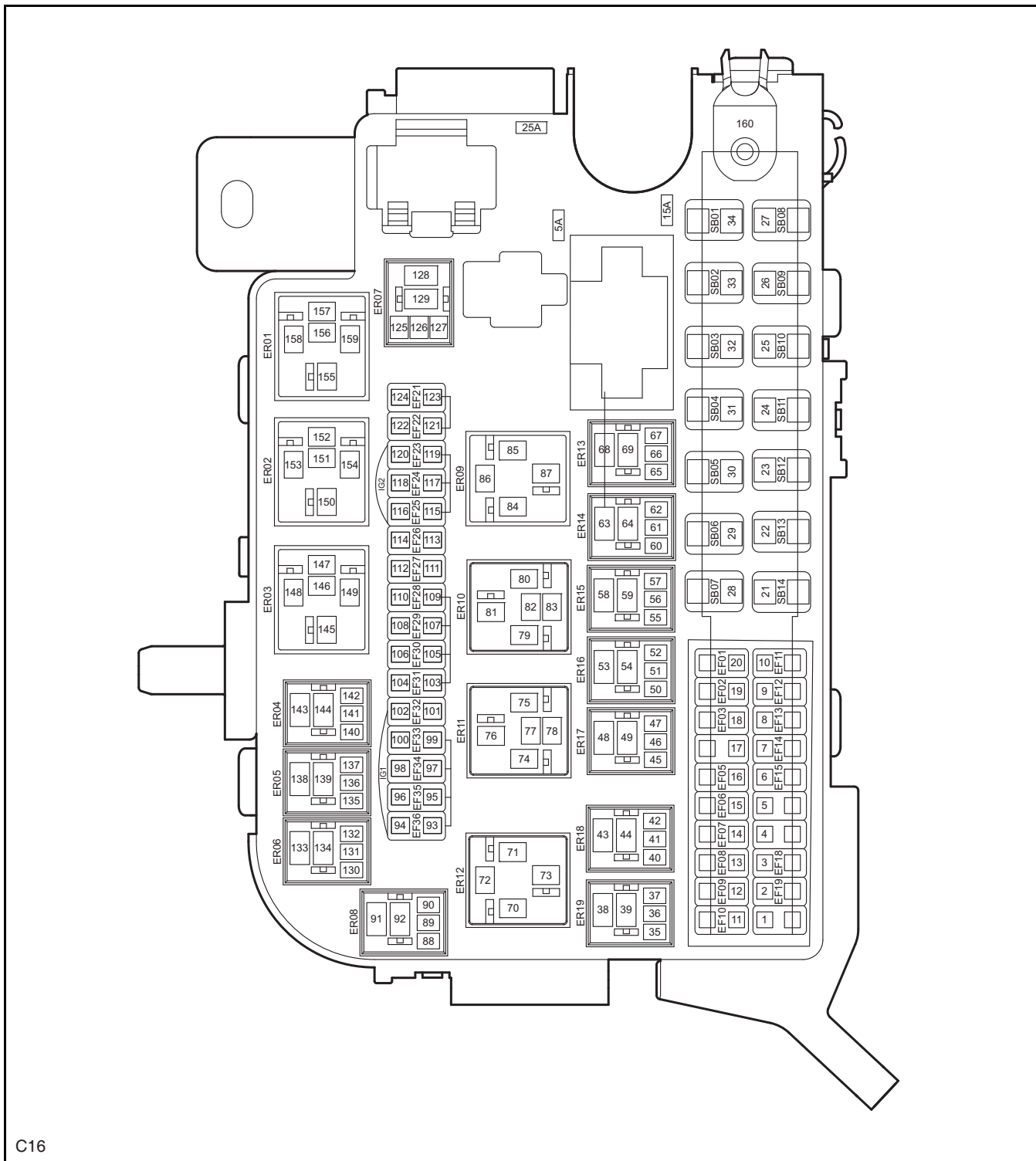
S10

Self-adaptive Cruise (for AT LEV3 Model)



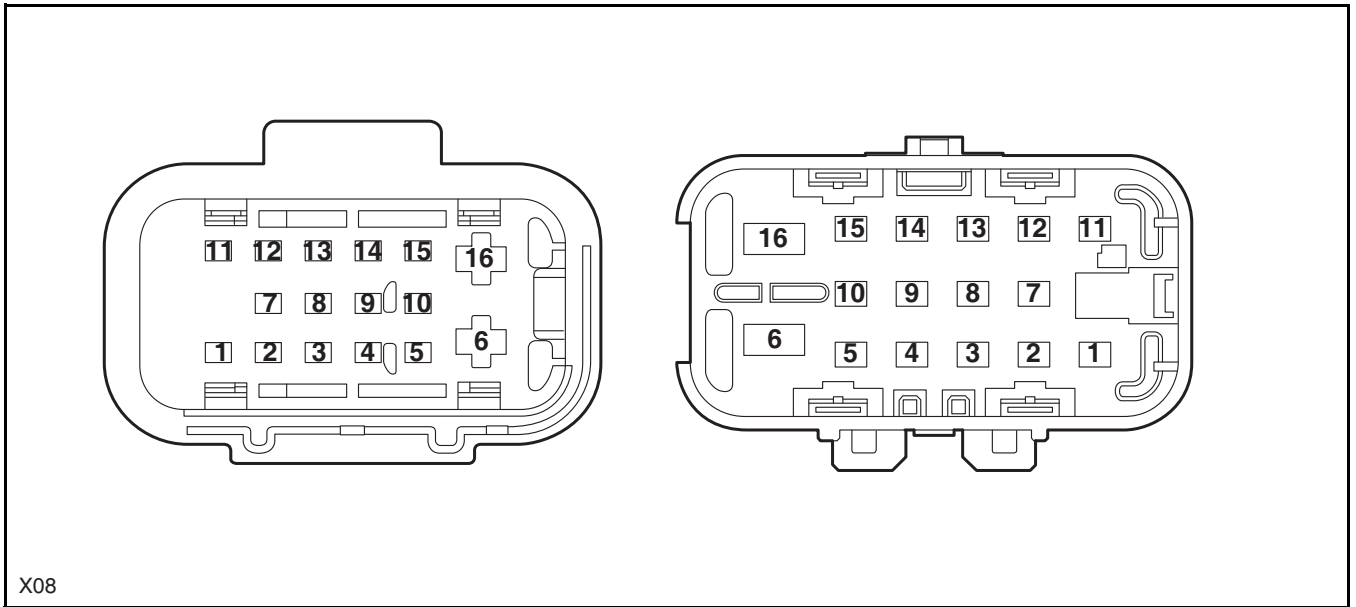
S6430001

Engine Compartment Fuse Box

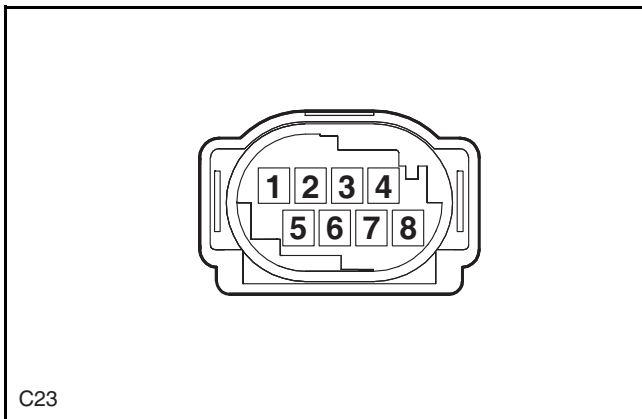


Engine Compartment Wiring Harness to Front End
Module Wiring Harness

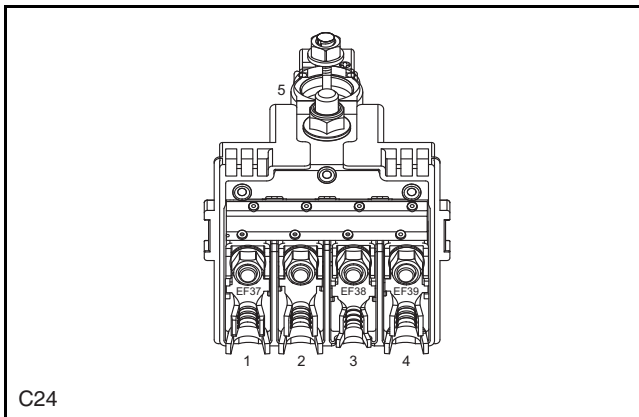
Front End Module Wiring Harness to Engine
Compartment Wiring Harness



Self-adaptive Cruise Controller



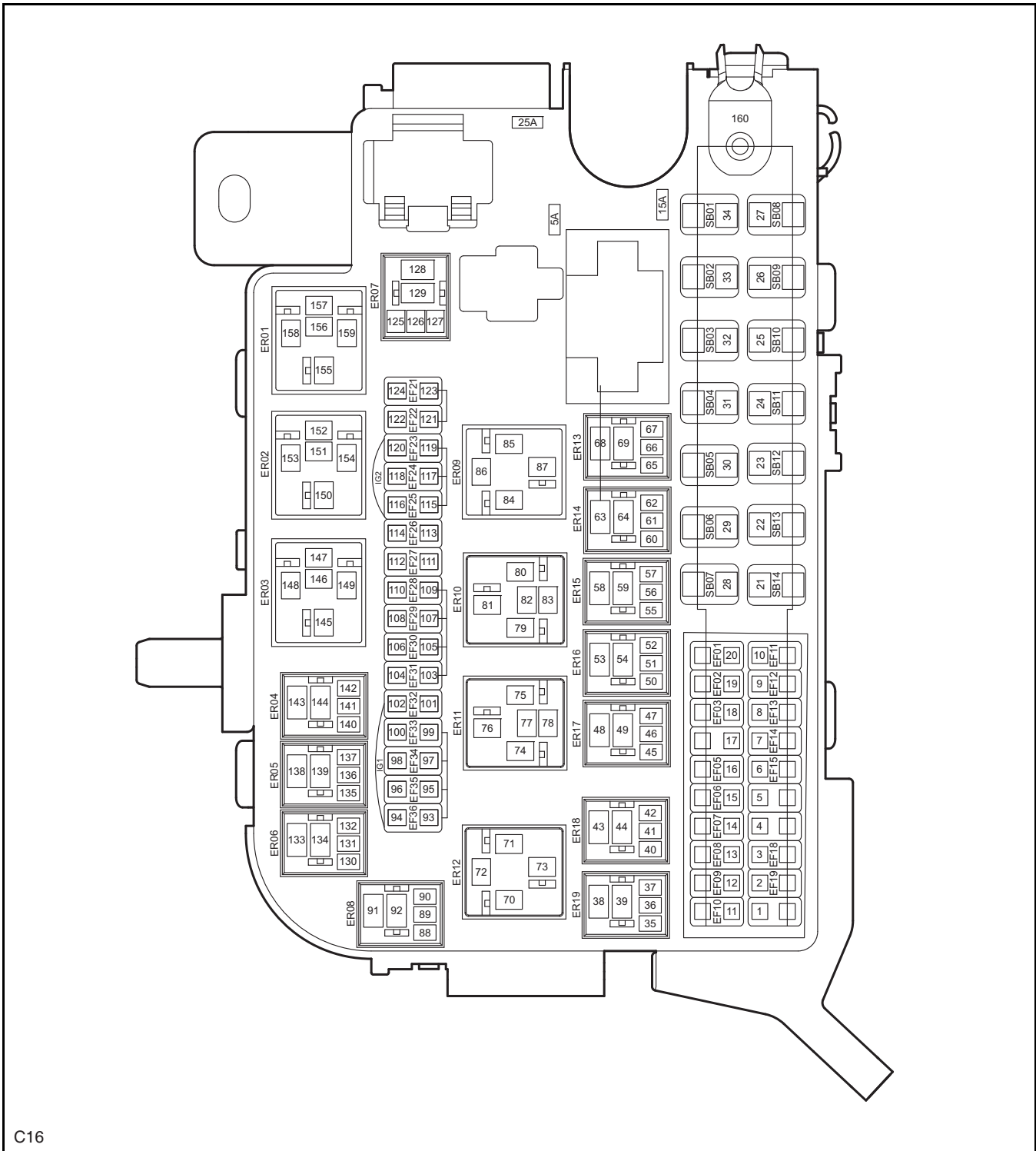
Battery Positive



Battery Positive Fuse Definition

Code	Application	Rated Current (A)
EF37	Starting Motor/Alternator	300A
EF38	EPS	100A
EF39	Engine Compartment Fuse Box Constant Power Supply	150A

Engine Compartment Fuse Box



Engine Compartment Fuse Box Relay Definition

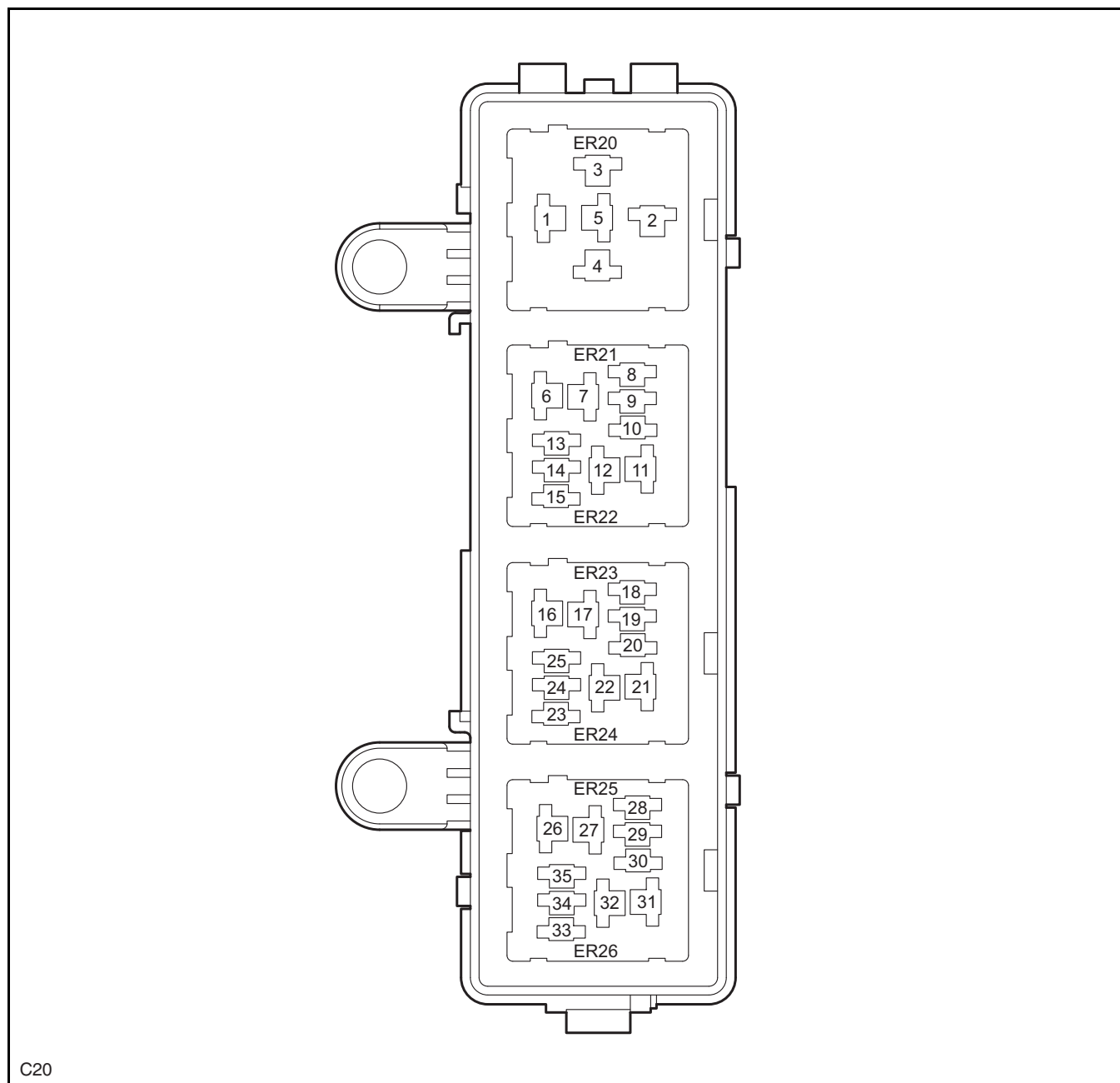
Code	Application	Description
ER01	IG2 Relay	-
ER02	-	-
ER03	Blower Relay	-
ER04	Compressor Relay	-
ER05	Shift Relay	-
ER06	IG1 Relay	-
ER07	Low Speed Fan Relay	-
ER08	ACC Relay	-
ER09	High Speed Fan Relay	-
ER10	Starting Relay 2	-
ER11	Main Relay	-
ER12	Rear Defroster Relay	-
ER13	Rear Wiper Relay	-
ER14	Starting Relay 1	-
ER15	Low Beam Lamp Relay	-
ER16	Front Wiper Relay 1	LEV2, LEV3 Models
ER16	Back-up Lamp Relay	MT LEV1 Model
ER17	Front Wiper Relay 2	-
ER18	Oil Pump Relay	-
ER19	Window Switch Relay	-

Engine Compartment Fuse Box Fuse Definition

Code	Application	Rated Current (A)
EF01	High Beam Lamp	15A
EF02	-	-
EF03	Position Lamp	15A
EF04	-	-
EF05	-	-
EF06	Main Relay Power Supply	30A
EF07	Oil Pump Motor	15A
EF08	Horn	15A
EF09	Compressor	10A
EF10	Window Switch	5A
EF11	TCU	15A
EF12	Engine ECU	10A
EF13	-	-
EF14	Brake Switch	10A

Code	Application	Rated Current (A)
EF15	Low Beam Lamp	15A
EF16	-	-
EF17	-	-
EF18	Daytime Running Lamp	10A
EF19	Driver Power Seat	25A
EF20	-	-
EF21	Left Position Lamp	10A
EF22	Right Position Lamp	10A
EF23	Front Wiper	25A
EF24	Rear Wiper	20A
EF25	Wiper Switch	15A
EF26	Starting Feedback	10A
EF27	Rearview Mirror Heating	7.5A
EF28	Ignition Coil	15A
EF29	Sensor Power Supply	10A
EF30	Relay Power Supply	10A
EF31	ECU Power Supply	20A
EF32	-	-
EF33	Self-adaptive Cruise ACC	10A
EF34	Alternator Excitation/Reversing Relay	10A
EF35	Electronic Parking Brake Controller	5A
EF36	TCU/Neutral Sensor	10A
SB01	Electronic Parking Brake Power Supply 1	40A
SB02	Instrument Cluster Power Supply 1	60A
SB03	High Speed Fan	40A
SB04	Blower	40A
SB05	Starting Motor/IG2	40A
SB06	ACC/IG1 Power	40A
SB07	Rear Defroster	30A
SB08	Electronic Parking Brake Power Supply 2	30A/40A
SB09	Instrument Cluster Power Supply 2	40A
SB10	Low Speed Fan	30A
SB11	-	-
SB12	-	-
SB13	Right Side Glass Regulator Motor	30A
SB14	Left Side Glass Regulator Motor	30A

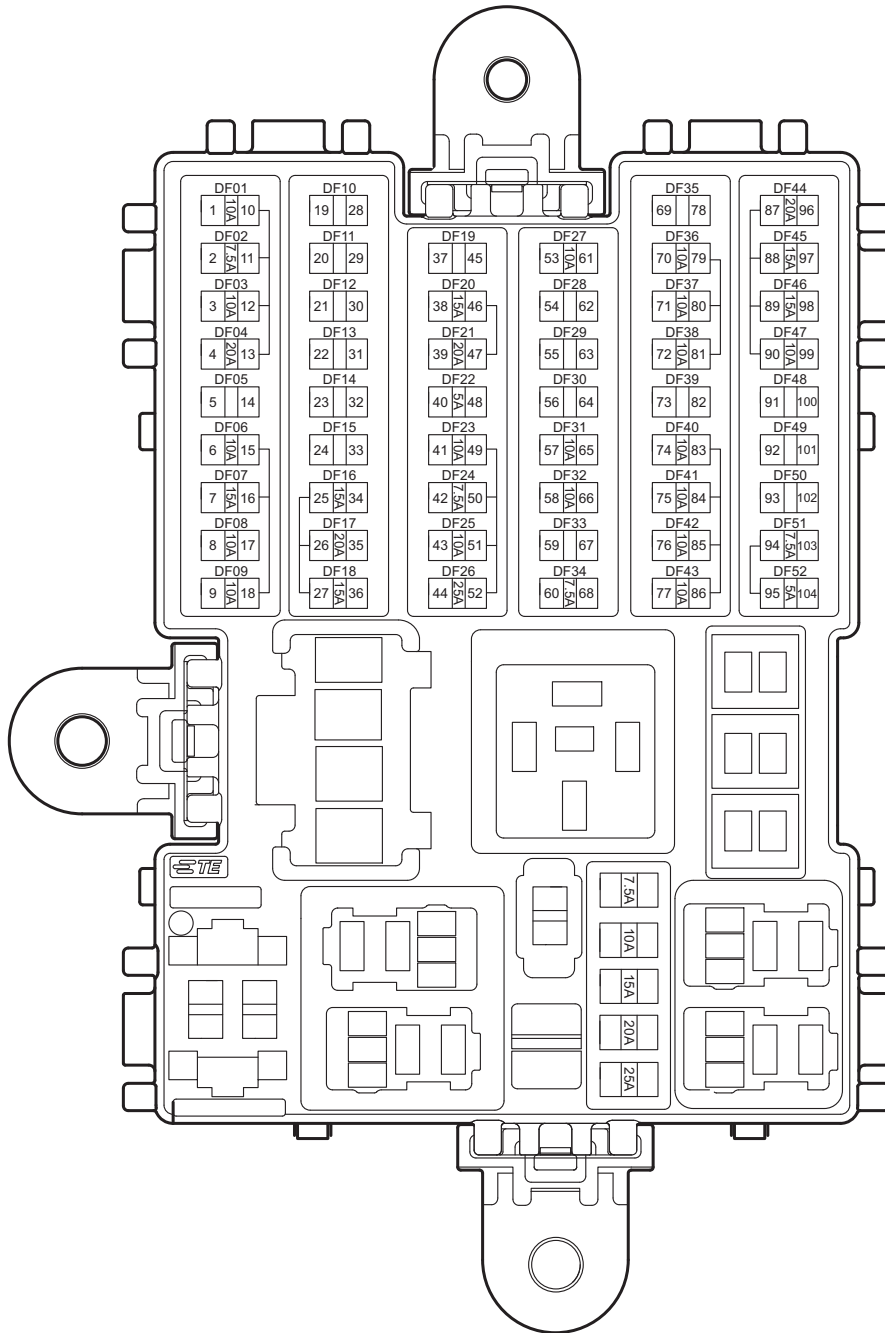
Engine Compartment Sub Fuse Box



Engine Compartment Sub Fuse Box Relay Definition

Code	Application	Description
ER20	High Beam Lamp Relay	-
ER21	Horn Relay	-
ER22	Position Lamp Relay	-
ER23	Left Front Fog Lamp Relay	-
ER24	Right Front Fog Lamp Relay	-
ER25	Left Daytime Running Lamp Relay	-
ER26	Right Daytime Running Lamp Relay	-

Instrument Panel Fuse Box



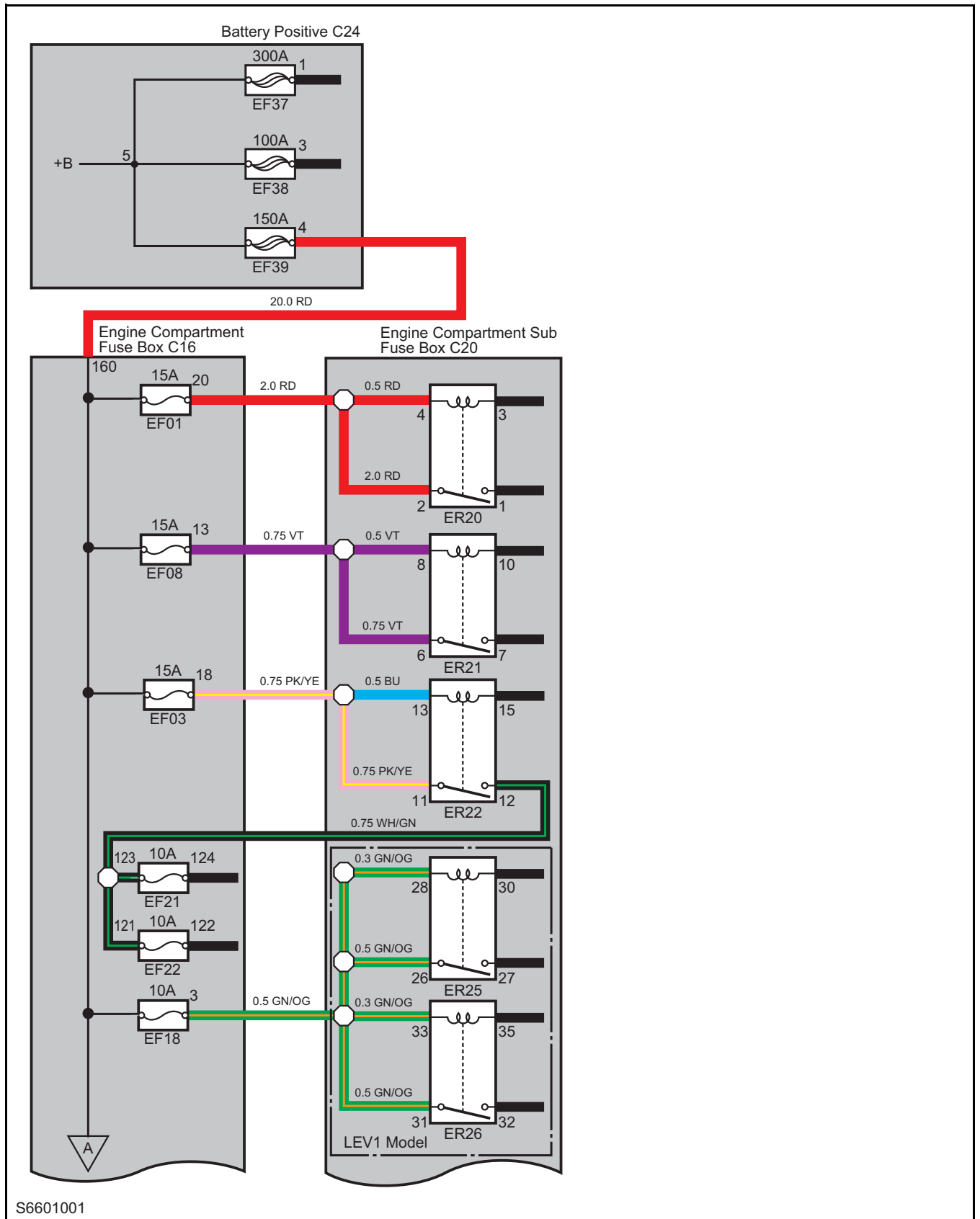
P44

Instrument Panel Fuse Box Fuse Definition

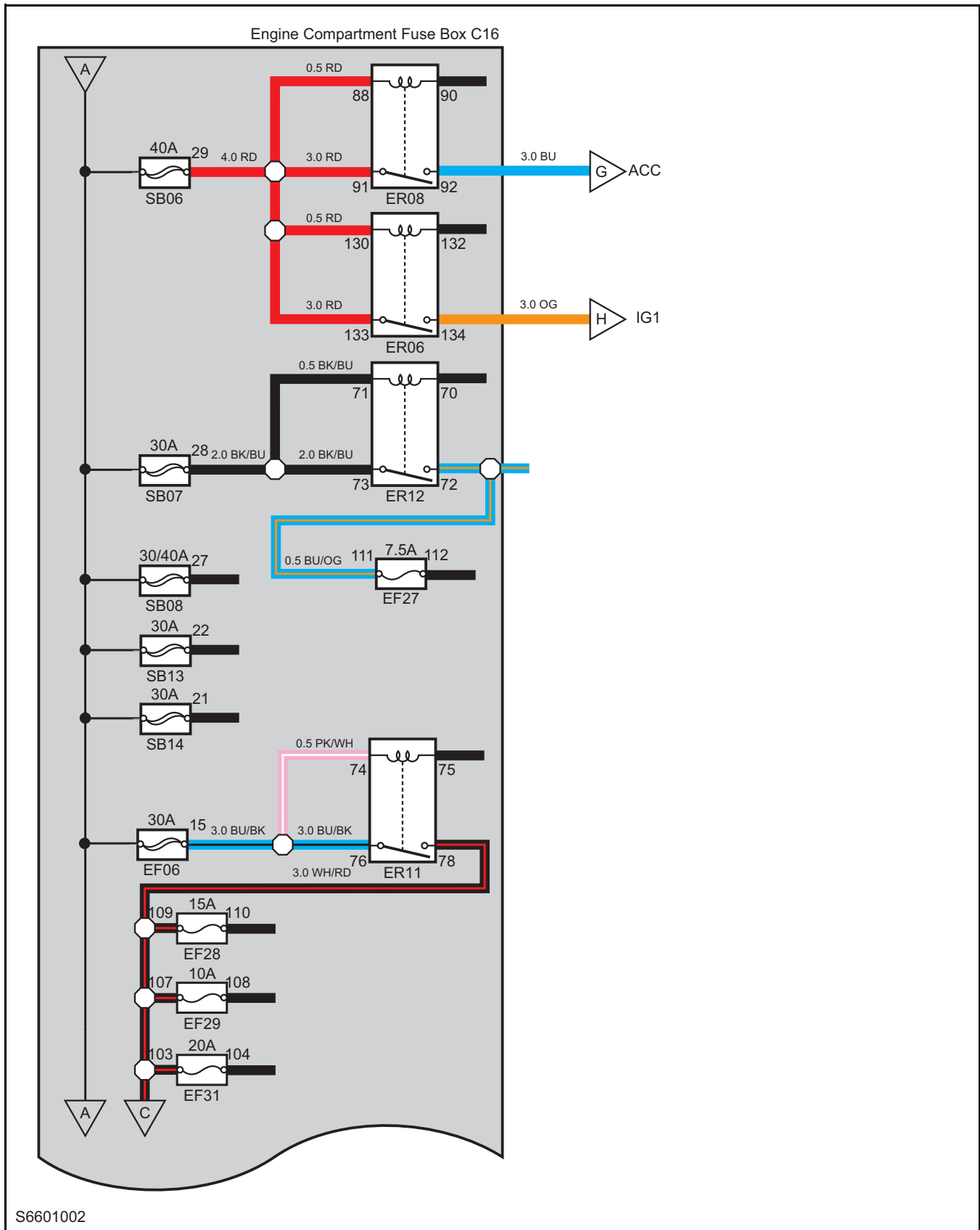
Code	Application	Rated Current (A)
DF01	Radio Frequency Receiver Module	10A
DF02	Gateway/Data Link Connector	10A
DF03	Body Control Module	10A
DF04	Sunroof Motor	20A
DF05	-	-
DF06	Electronic Steering Lock	10A
DF07	Body Controller	15A
DF08	Telematics Controller/Instrument Cluster	10A
DF09	A/C Controller/Panel	10A
DF10	-	-
DF11	-	-
DF12	-	-
DF13	-	-
DF14	-	-
DF15	-	-
DF16	Body Controller	15A
DF17	Body Controller	20A
DF18	Body Controller	15A
DF19	-	-
DF20	On-board Information and Entertainment	15A
DF21	Body Controller	20A
DF22	Sunroof Motor	5A
DF23	USB Interface	10A
DF24	Power Rearview Mirror	7.5A
DF25	ACC Power Supply	10A
DF26	Front Power Outlet	25A
DF27	Starting Relay	10A
DF28	-	-
DF29	-	-
DF30	-	-
DF31	-	-
DF32	-	-
DF33	-	-
DF34	-	-
DF35	-	-
DF36	Electronic Injection Controller	10A
DF37	Airbag Module	10A

Code	Application	Rated Current (A)
DF38	Electronic Steering Lock	10A
DF39	-	-
DF40	-	-
DF41	Instrument Cluster/Roof Lamp/Ambient Light	10A
DF42	Power Assist Steering	10A
DF43	Gateway/Body Controller	10A
DF44	Body Controller	20A
DF45	Door Lock Power Supply	15A
DF46	Turn Lamp/Brake Lamp	15A
DF47	Body Controller	10A
DF48	-	-
DF49	-	-
DF50	-	-
DF51	A/C Controller/Panel	7.5A
DF52	Shift Panel	5A

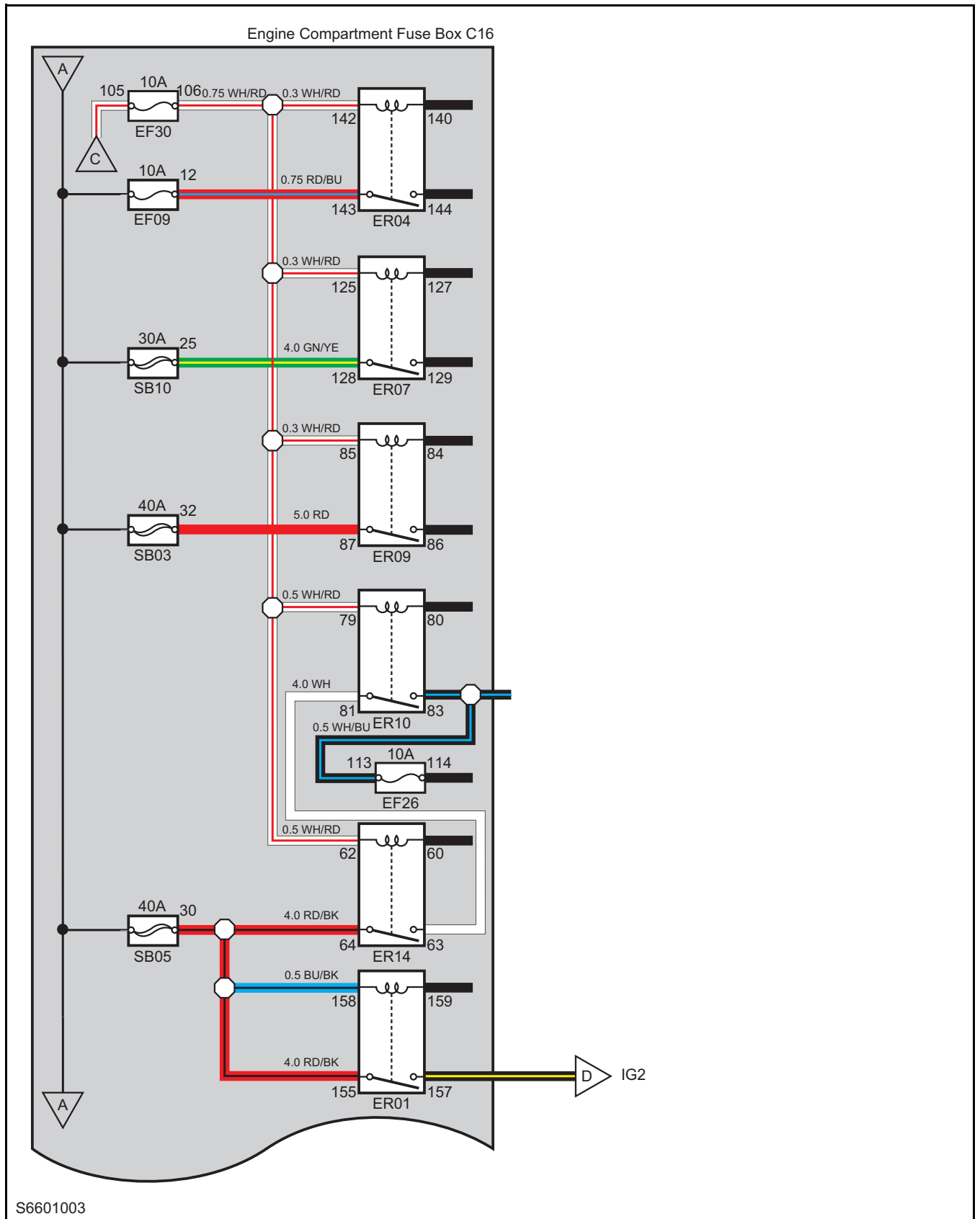
Power Supply Distribution - 1



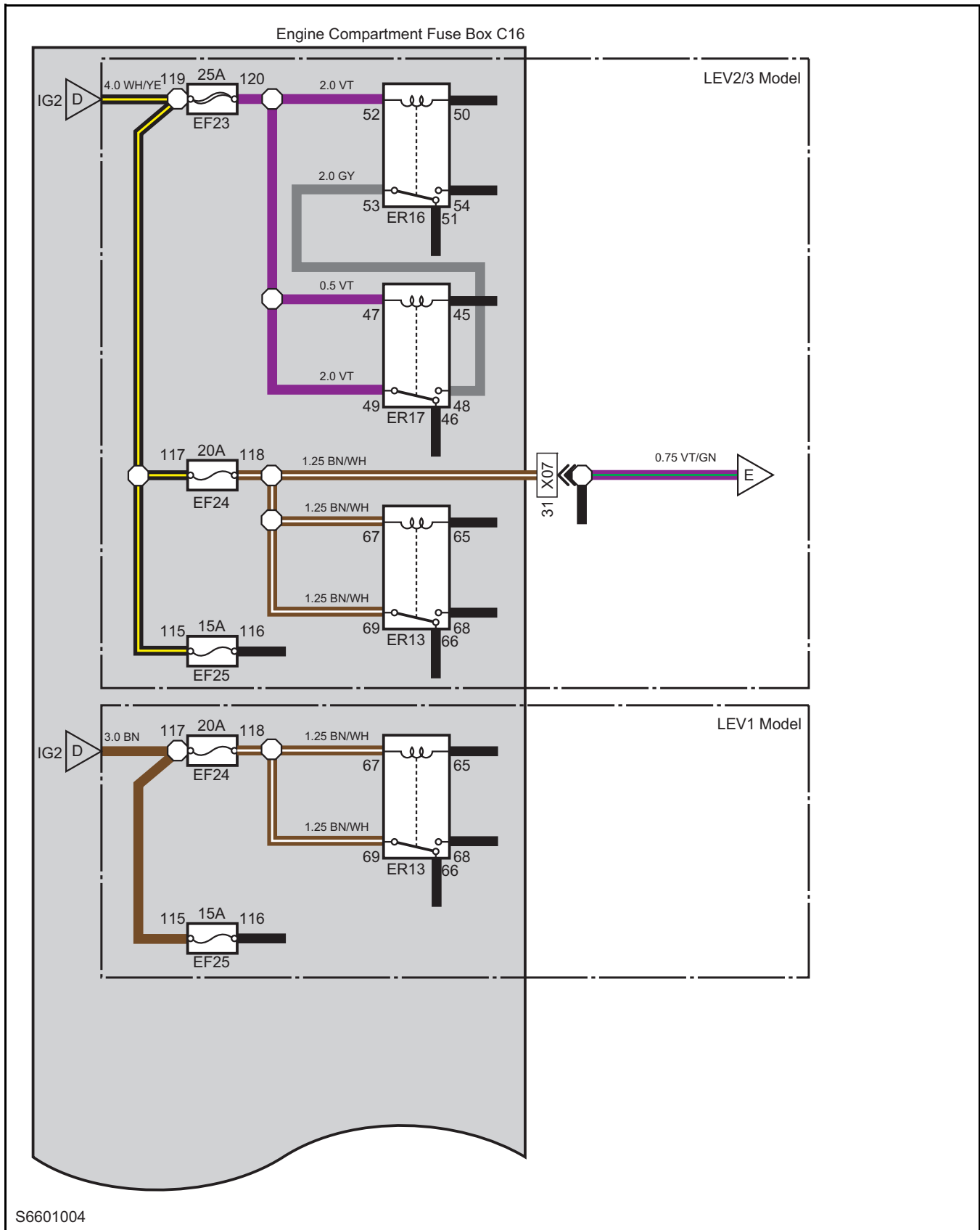
Power Supply Distribution - 2



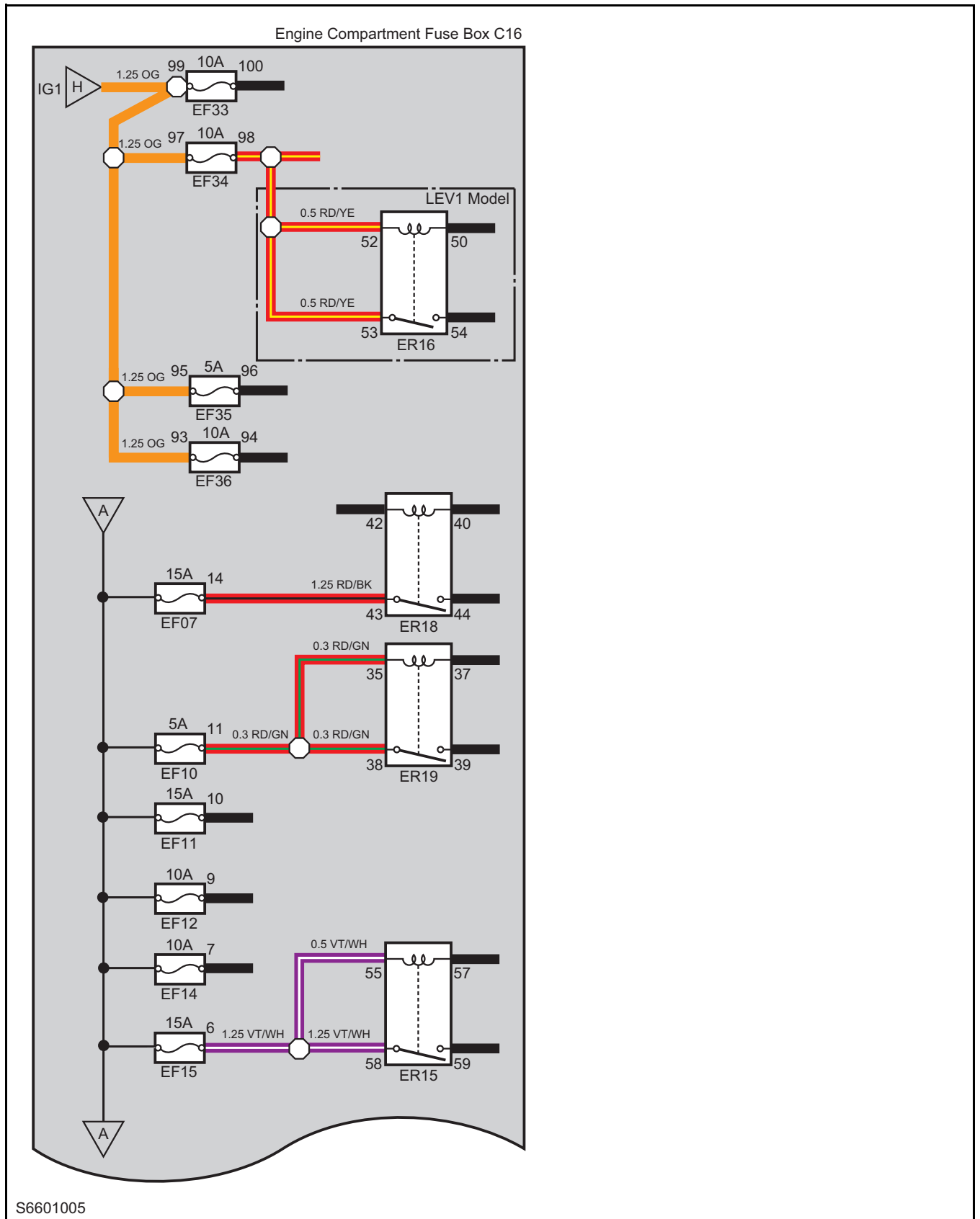
Power Supply Distribution - 3



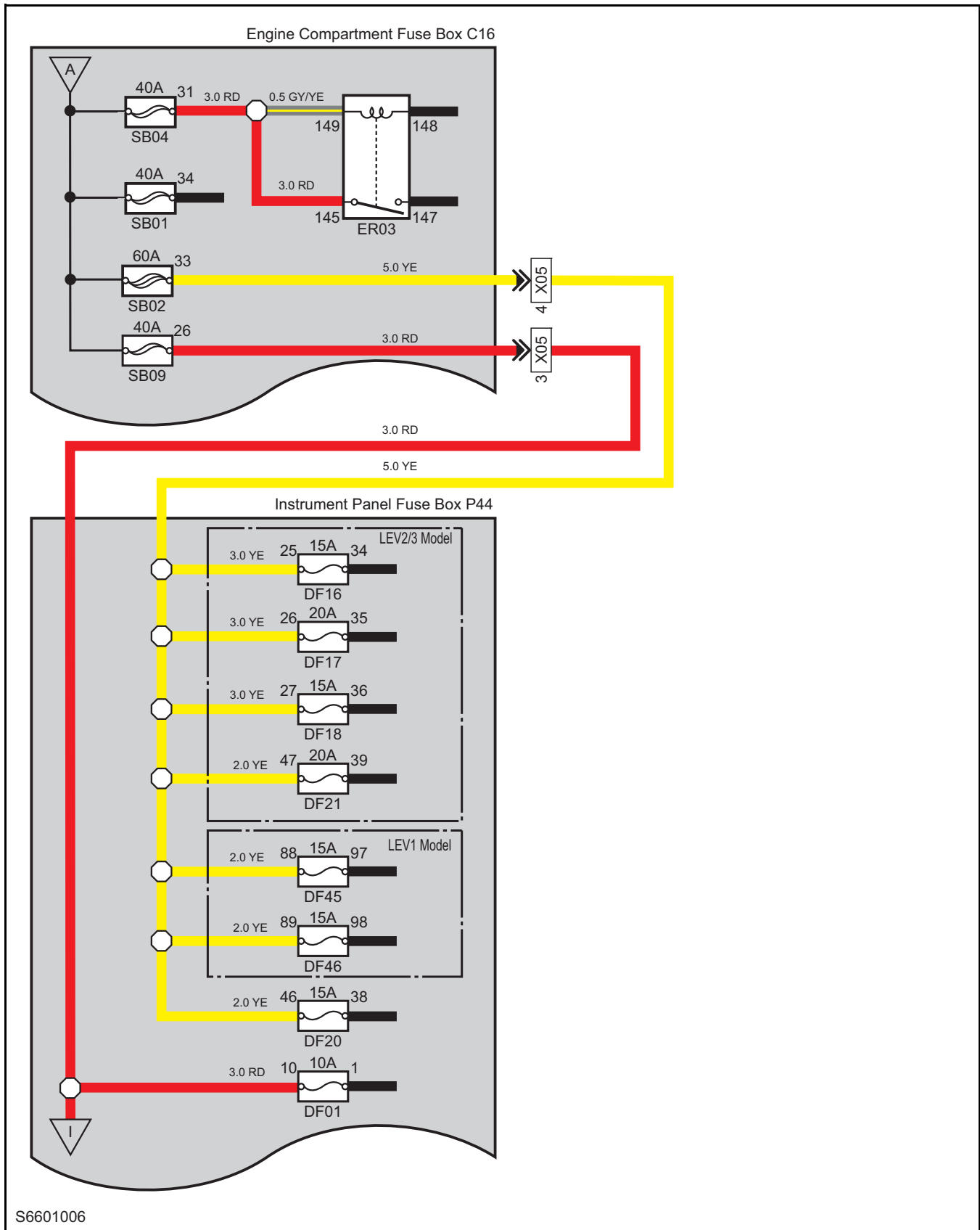
Power Supply Distribution - 4



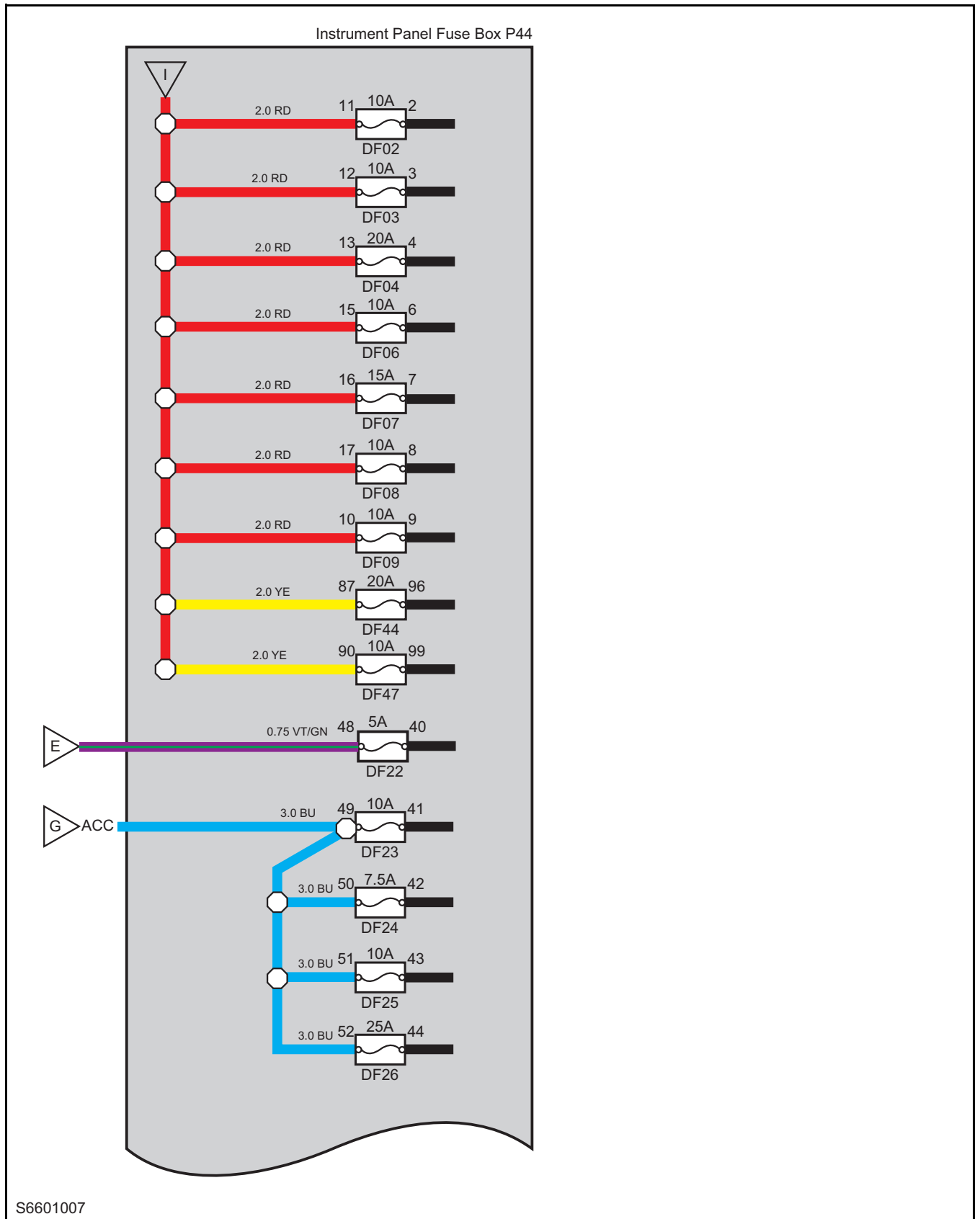
Power Supply Distribution - 5



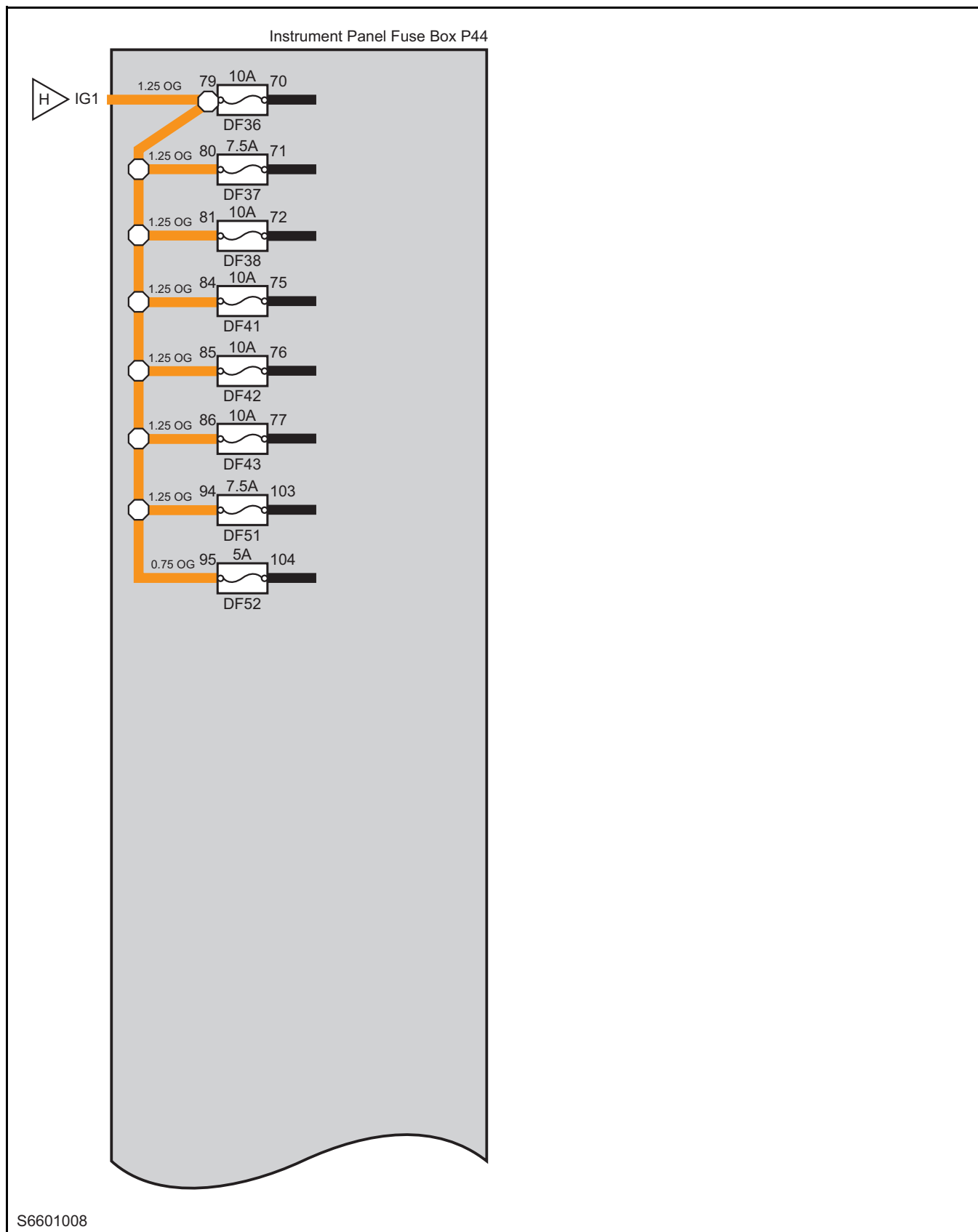
Power Supply Distribution - 6



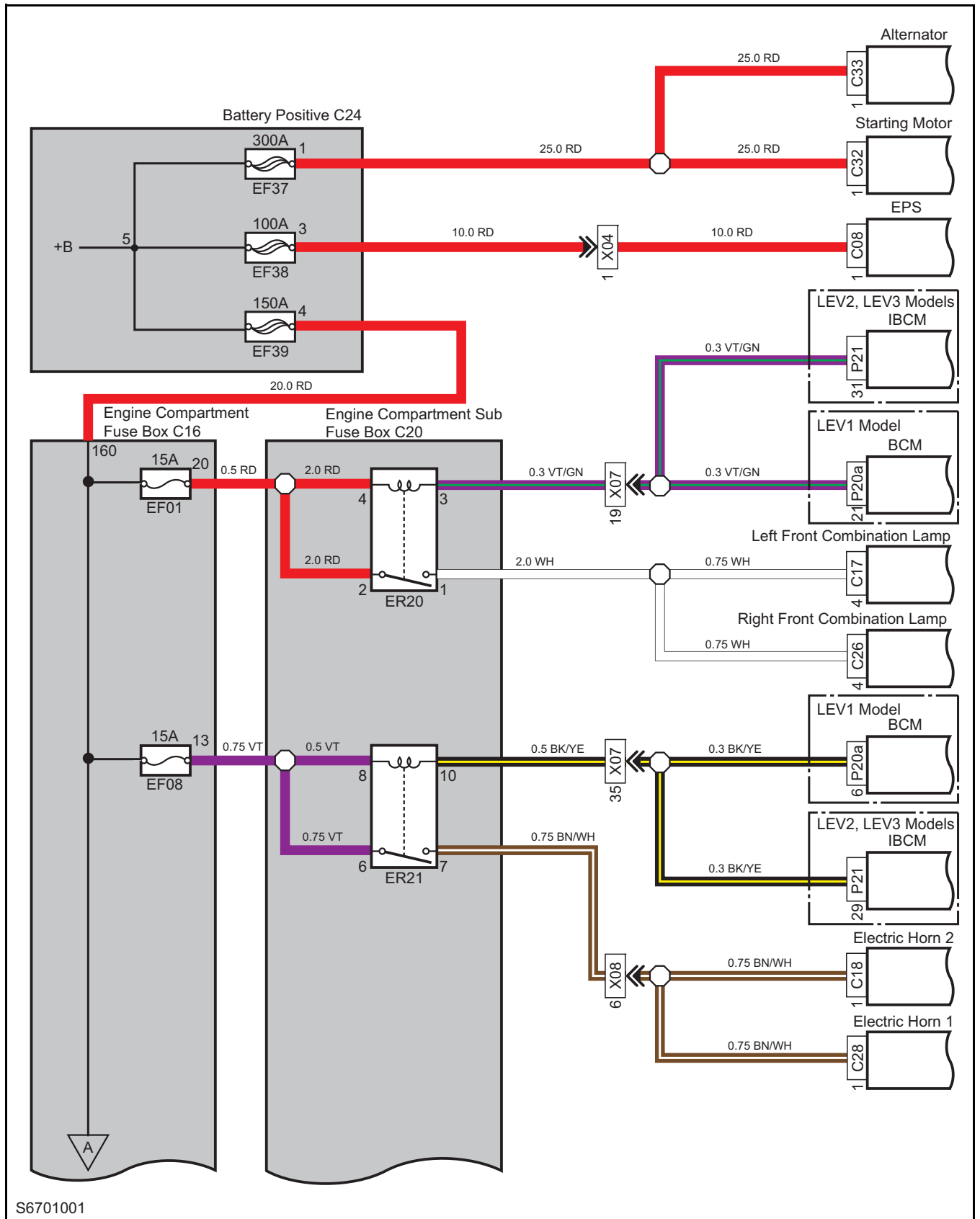
Power Supply Distribution - 7



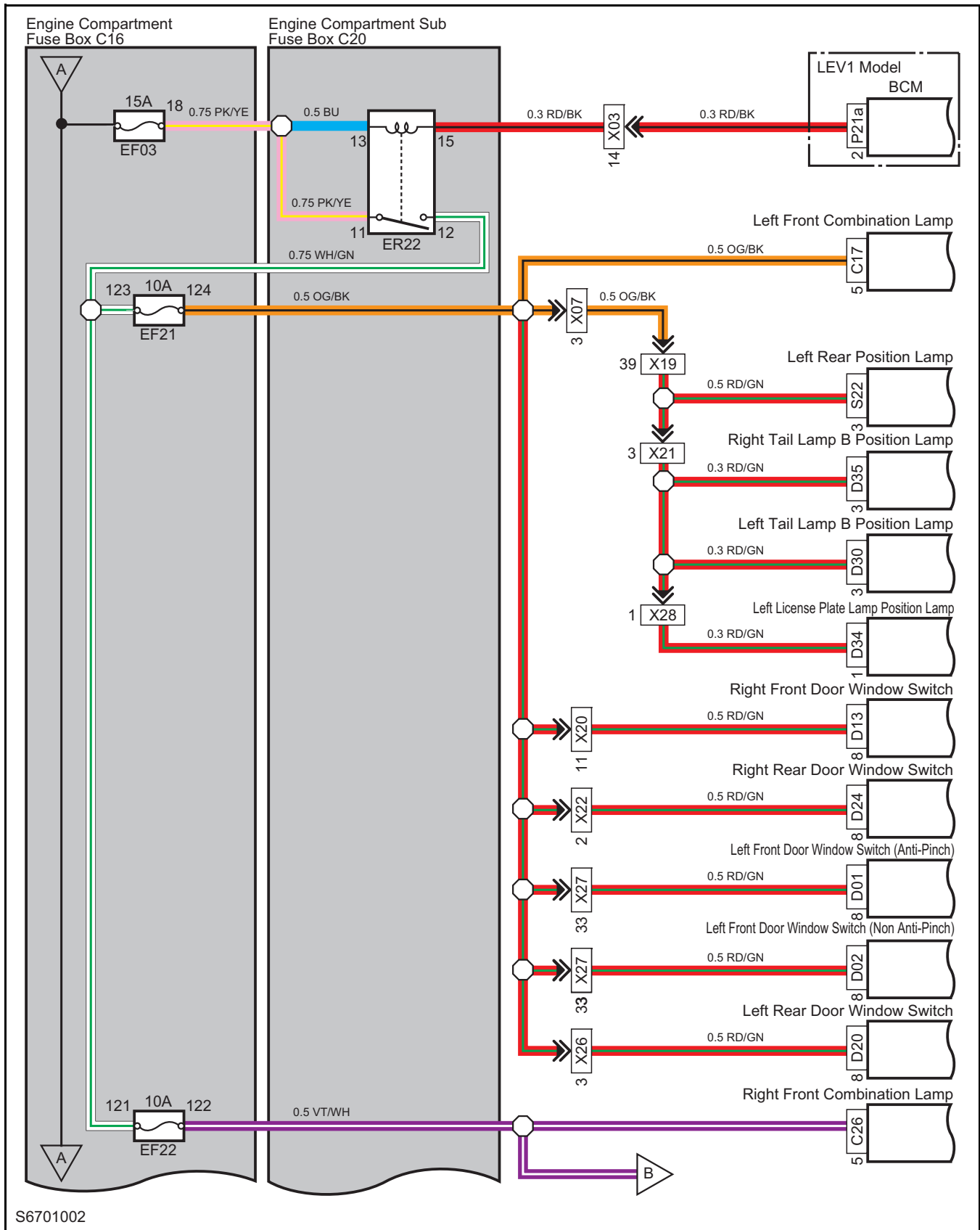
Power Supply Distribution - 8



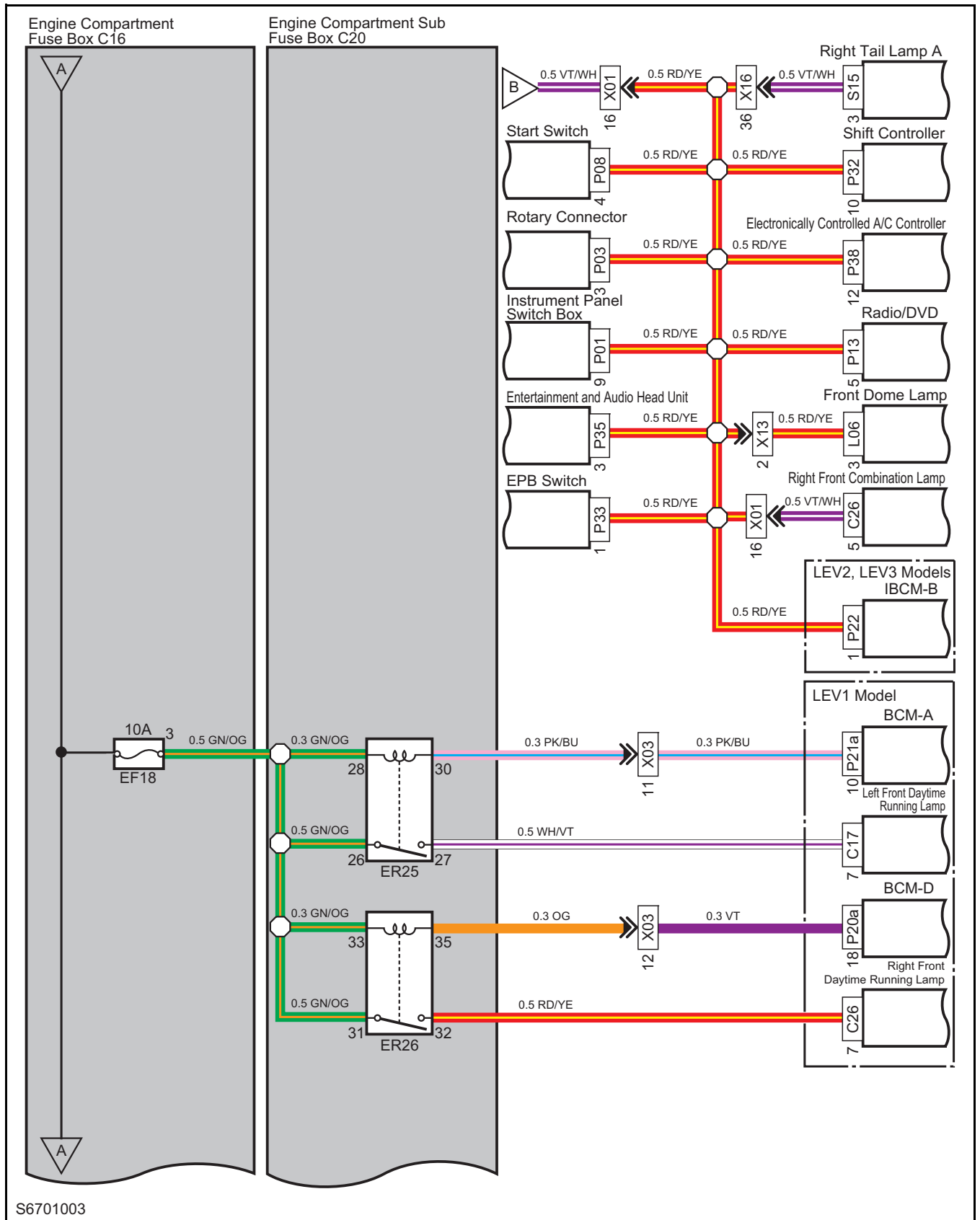
EF01 EF08 EF37 EF38 EF39 ER20 ER21



EF03 EF21 EF22 ER22

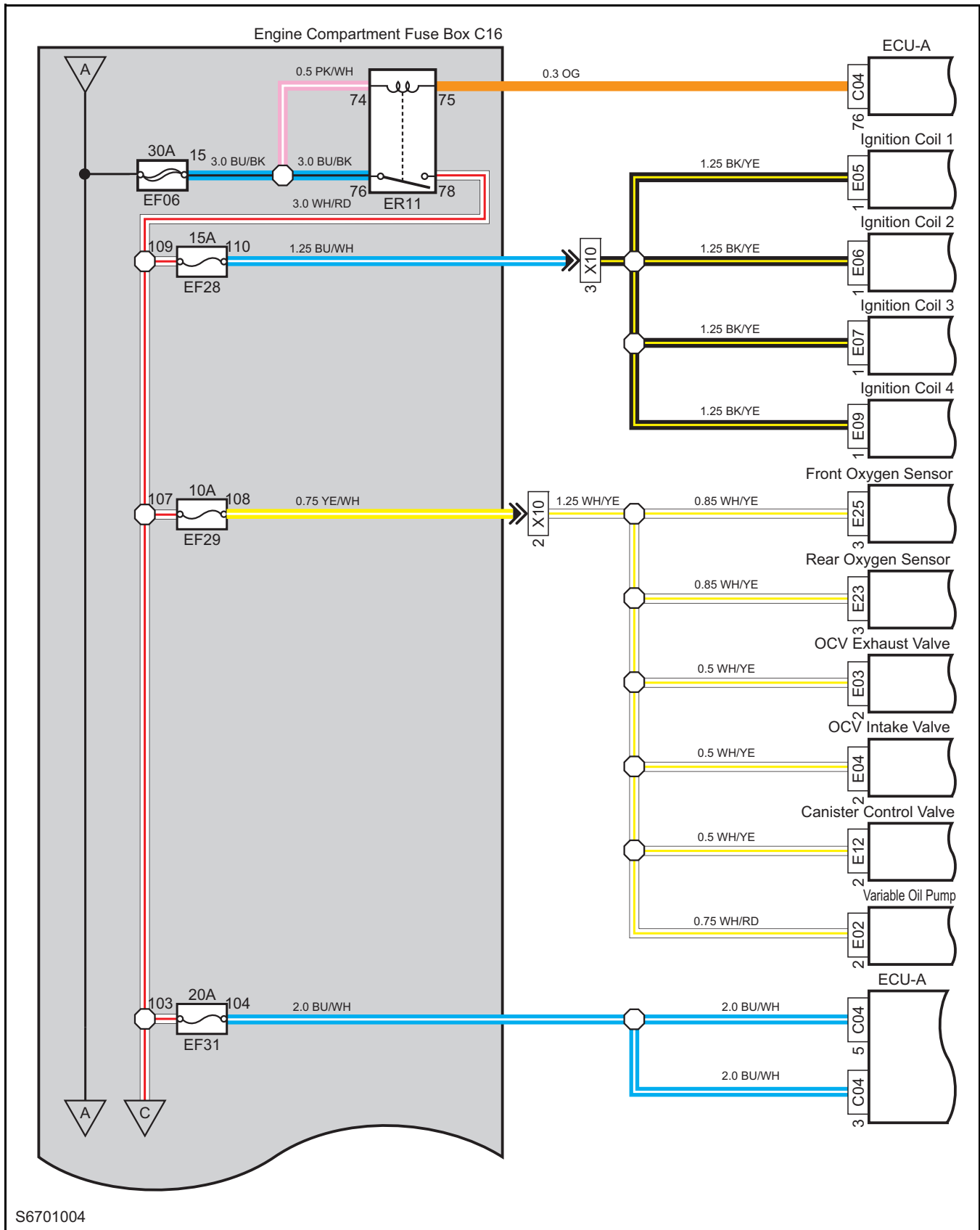


EF18 ER25 ER26



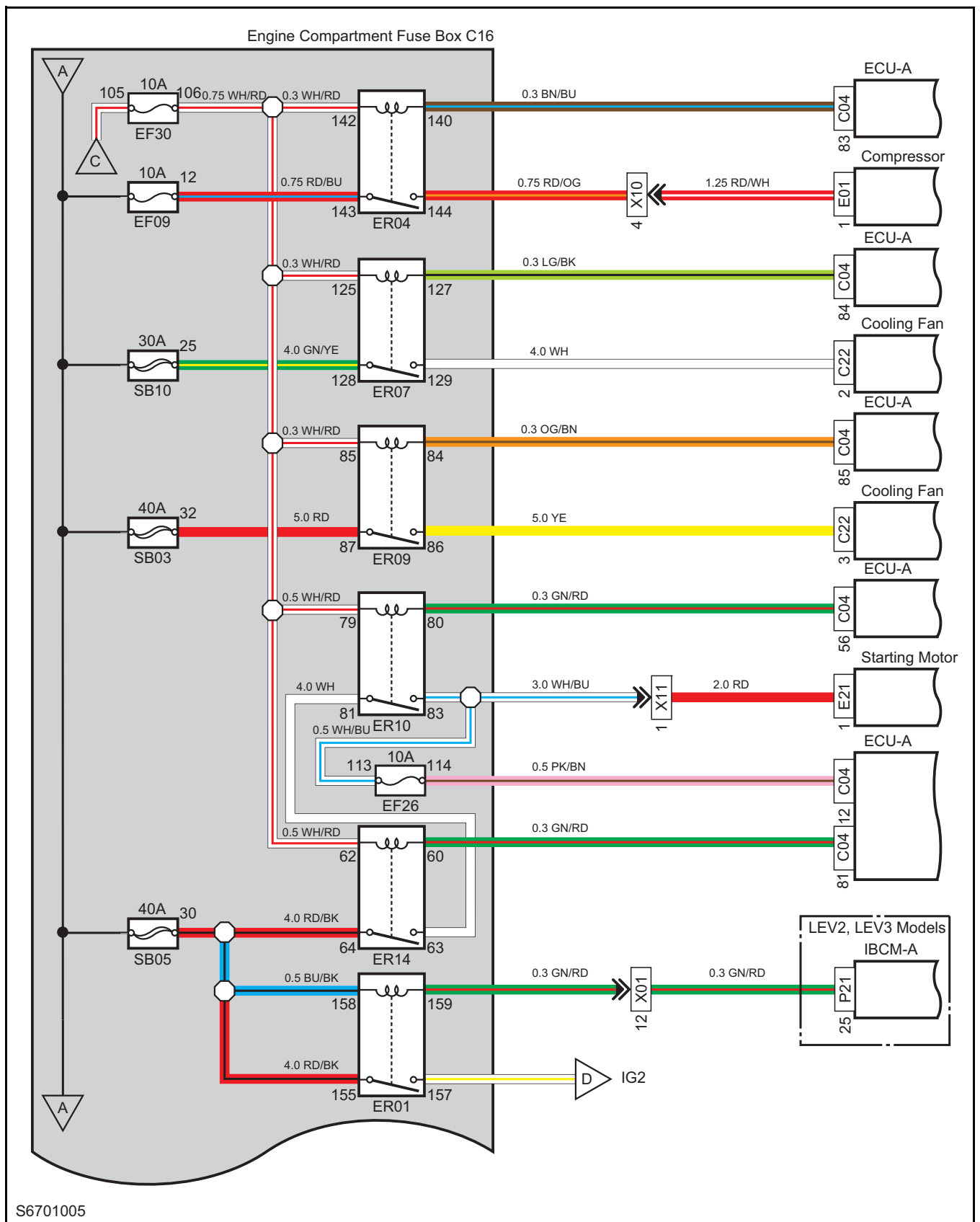
S6701003

EF06 EF28 EF29 EF31 ER11

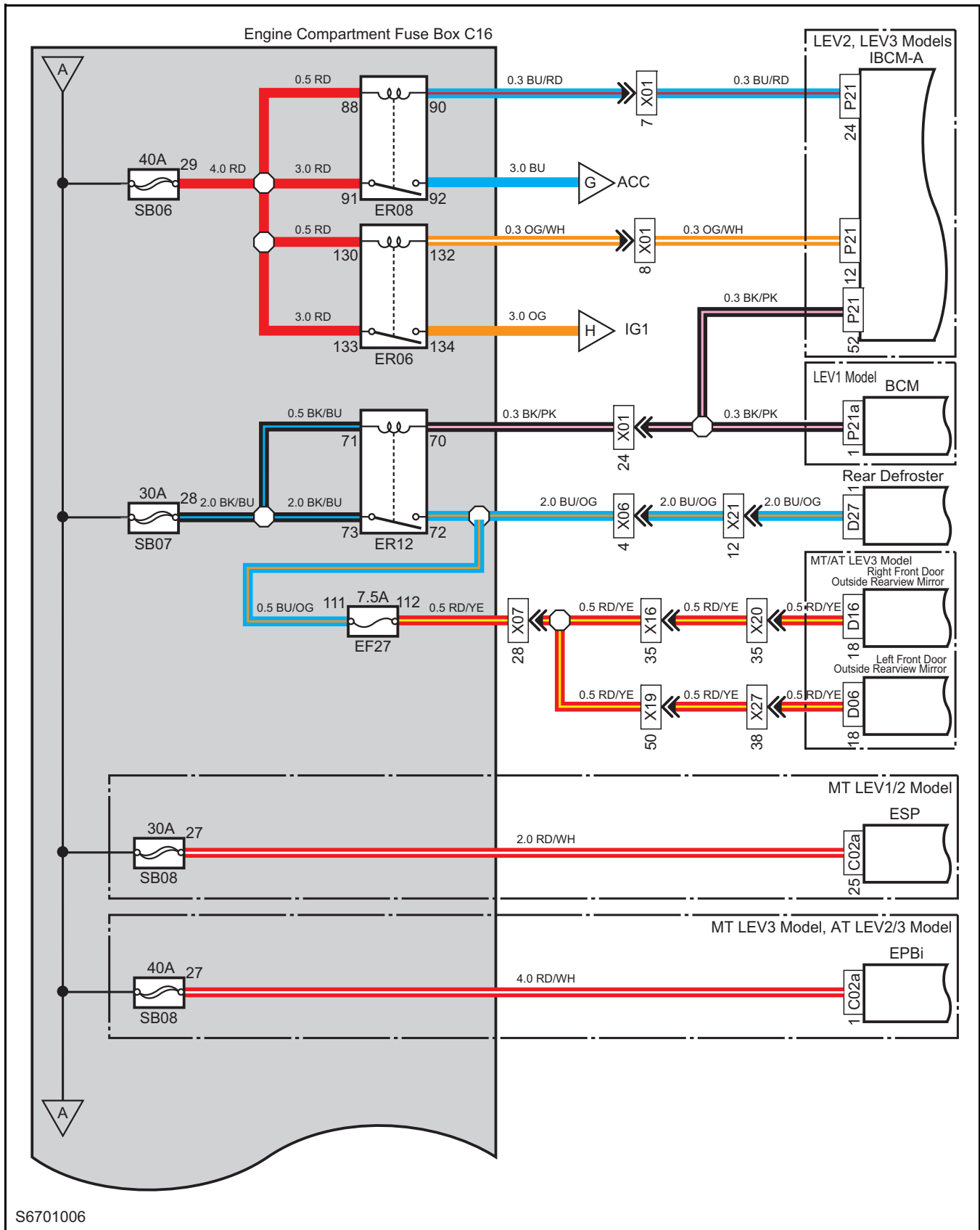


S6701004

EF09 EF26 EF30 SB03 SB05 SB10 ER01 ER04 ER07 ER09 ER10 ER14

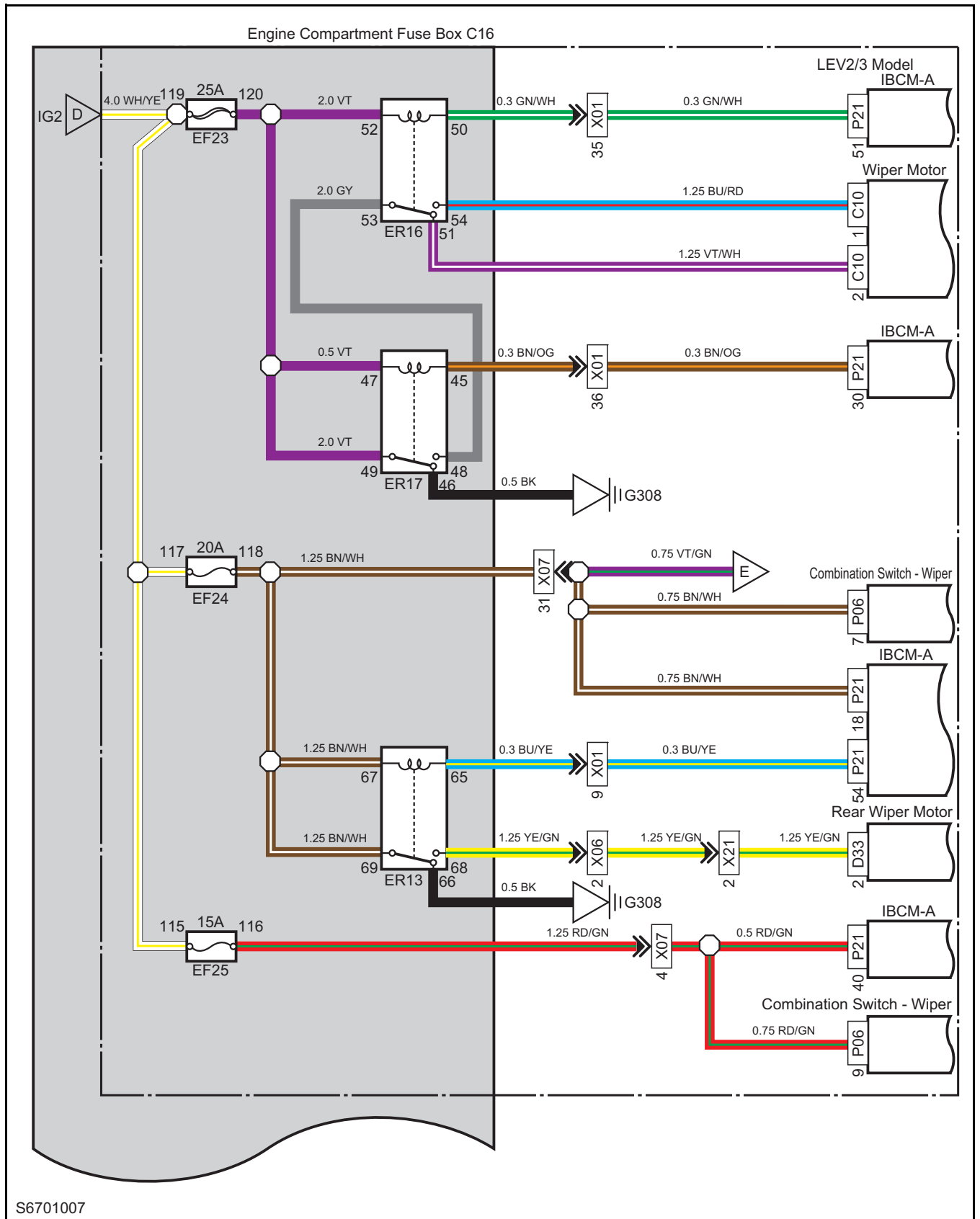


SB06 SB07 SB08 EF27 ER06 ER08 ER12

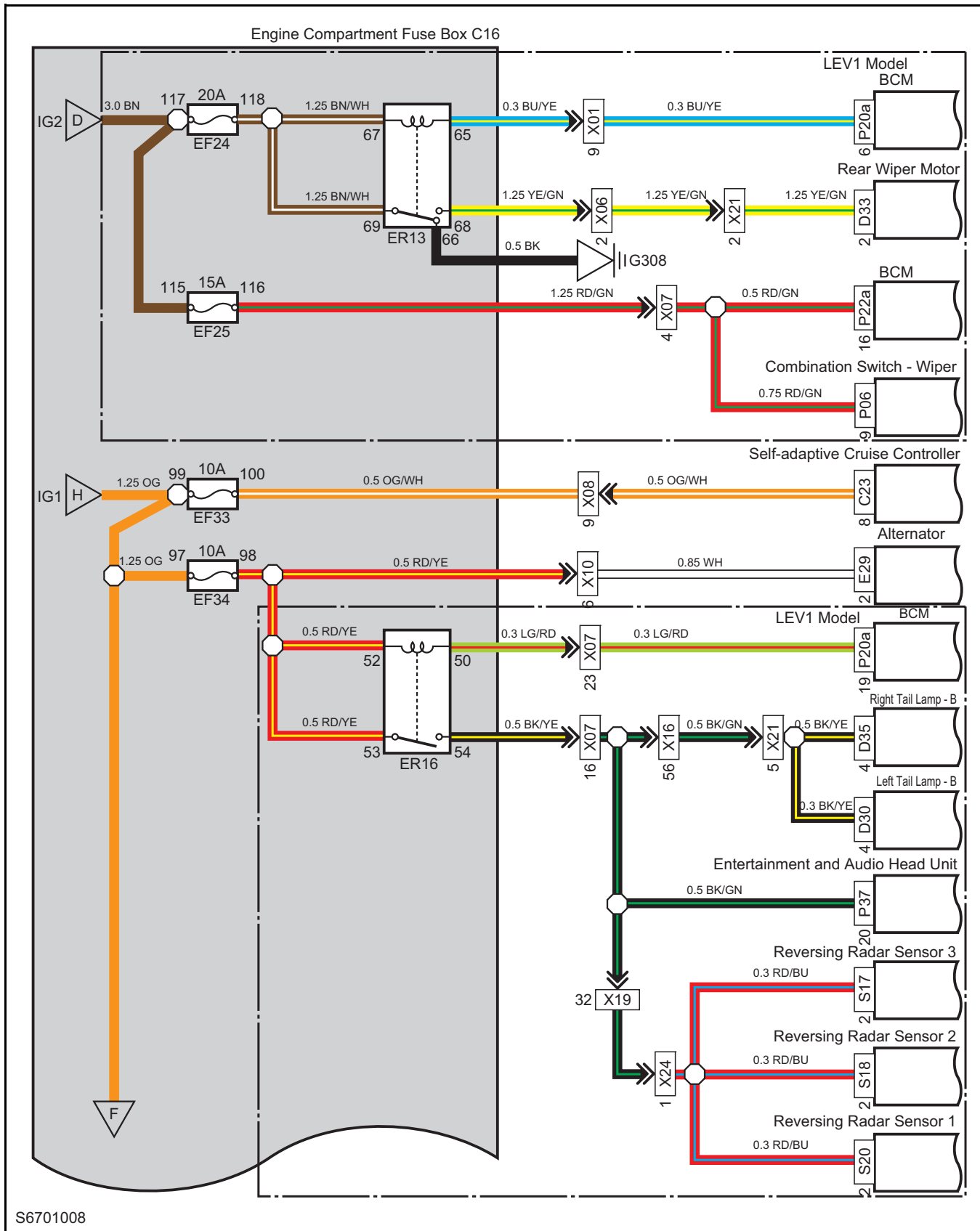


S6701006

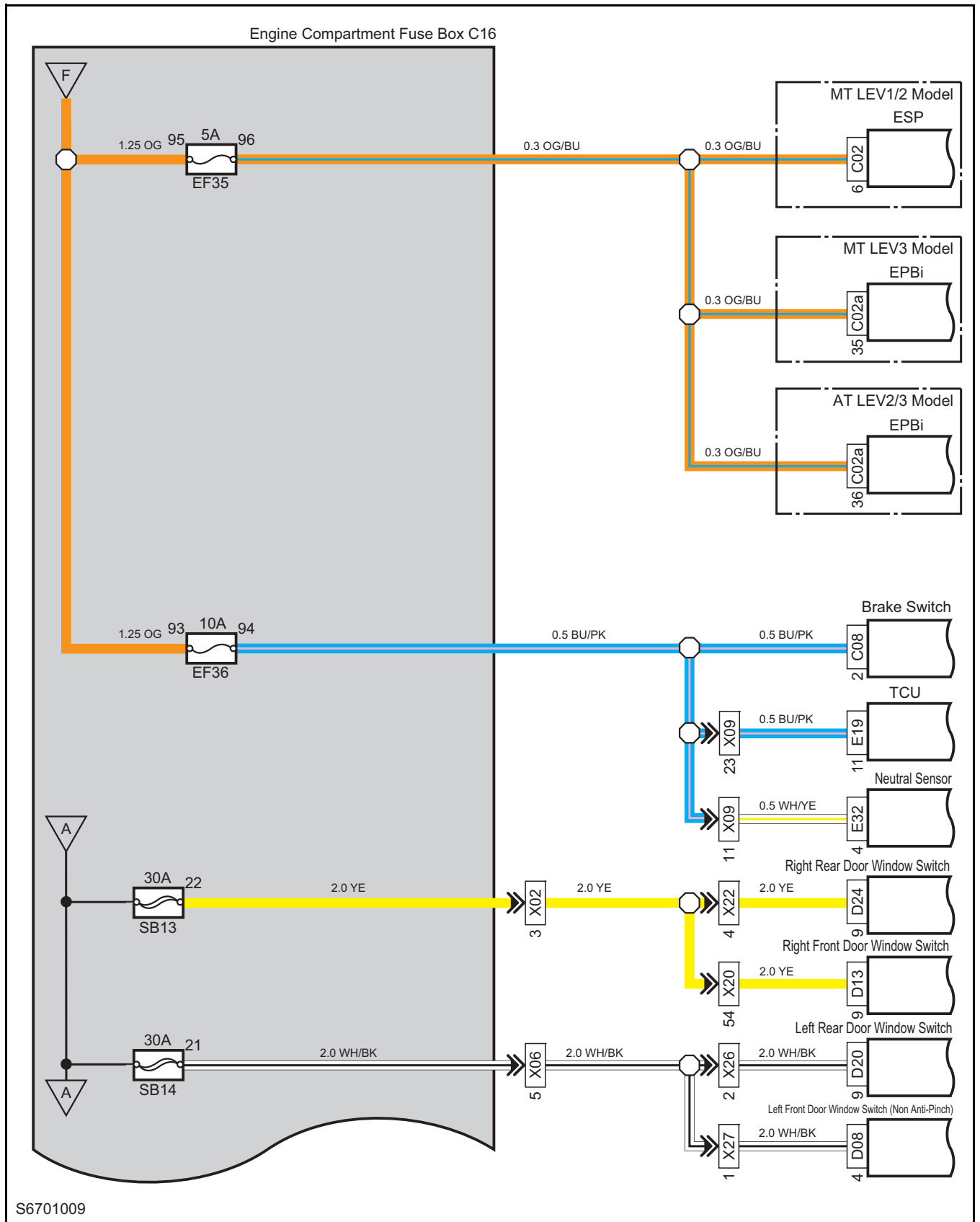
EF23 EF24 EF25 ER13 ER16 ER17



EF24 EF25 EF33 EF34 ER13 ER16

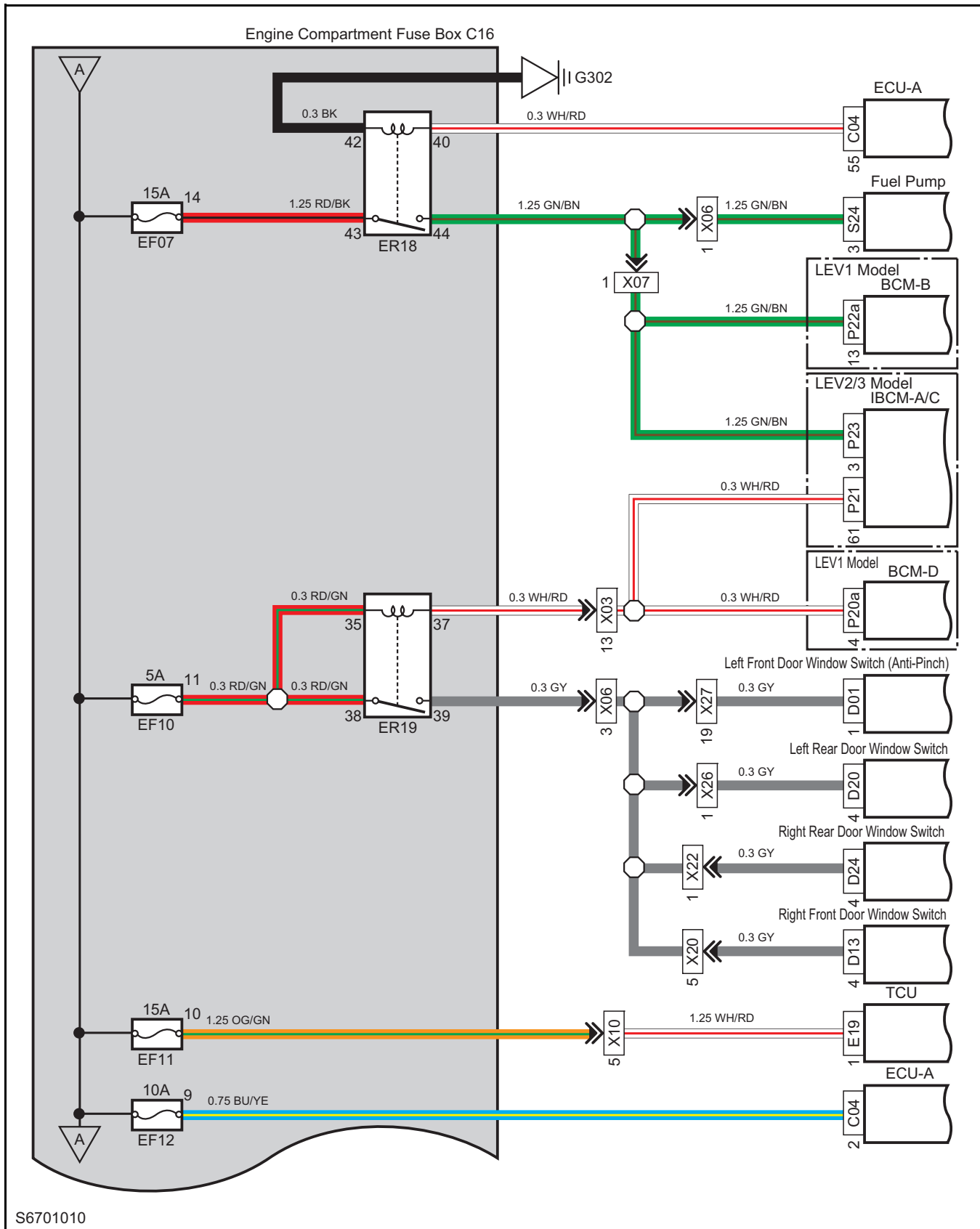


SB13 SB14 EF35 EF36

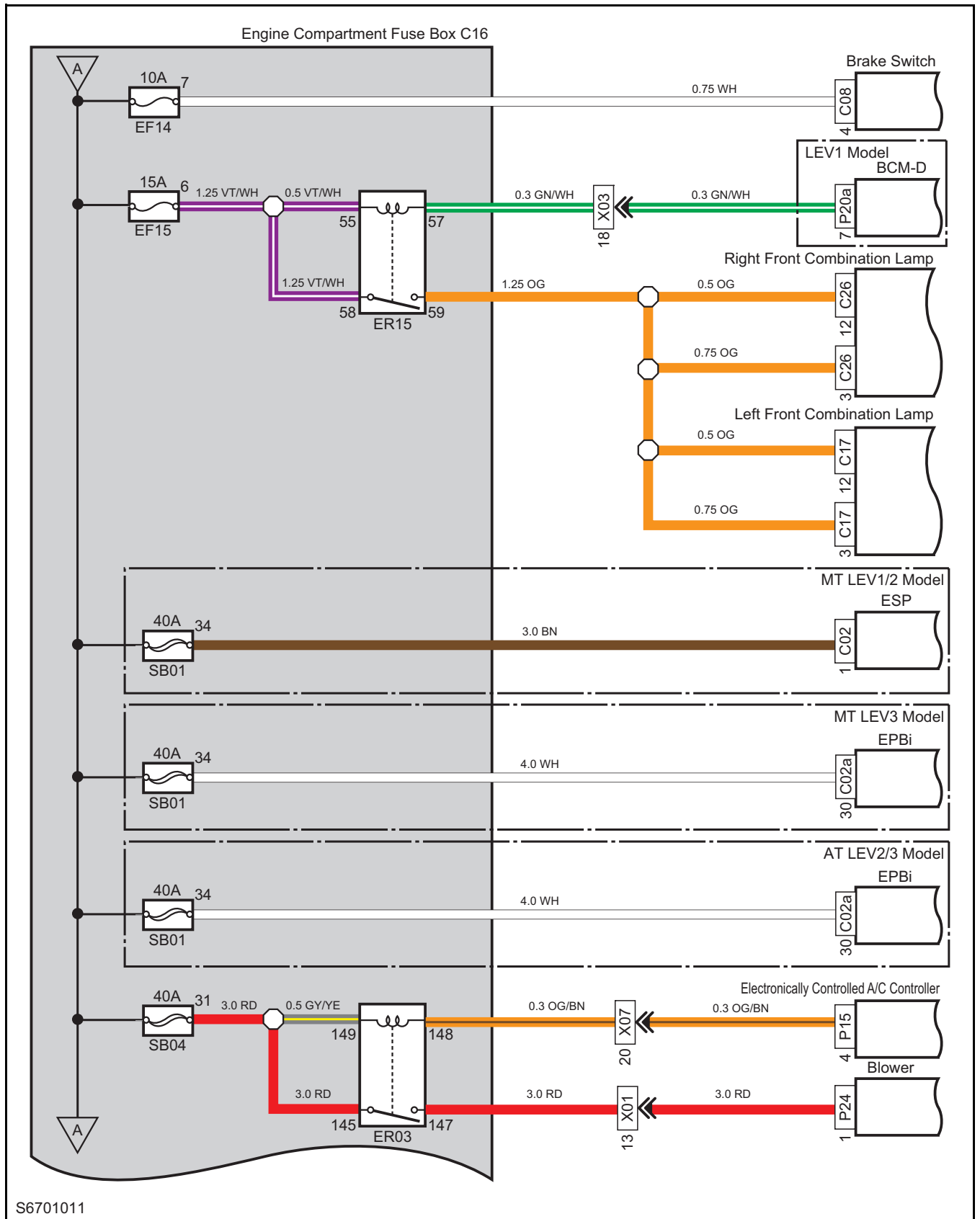


S6701009

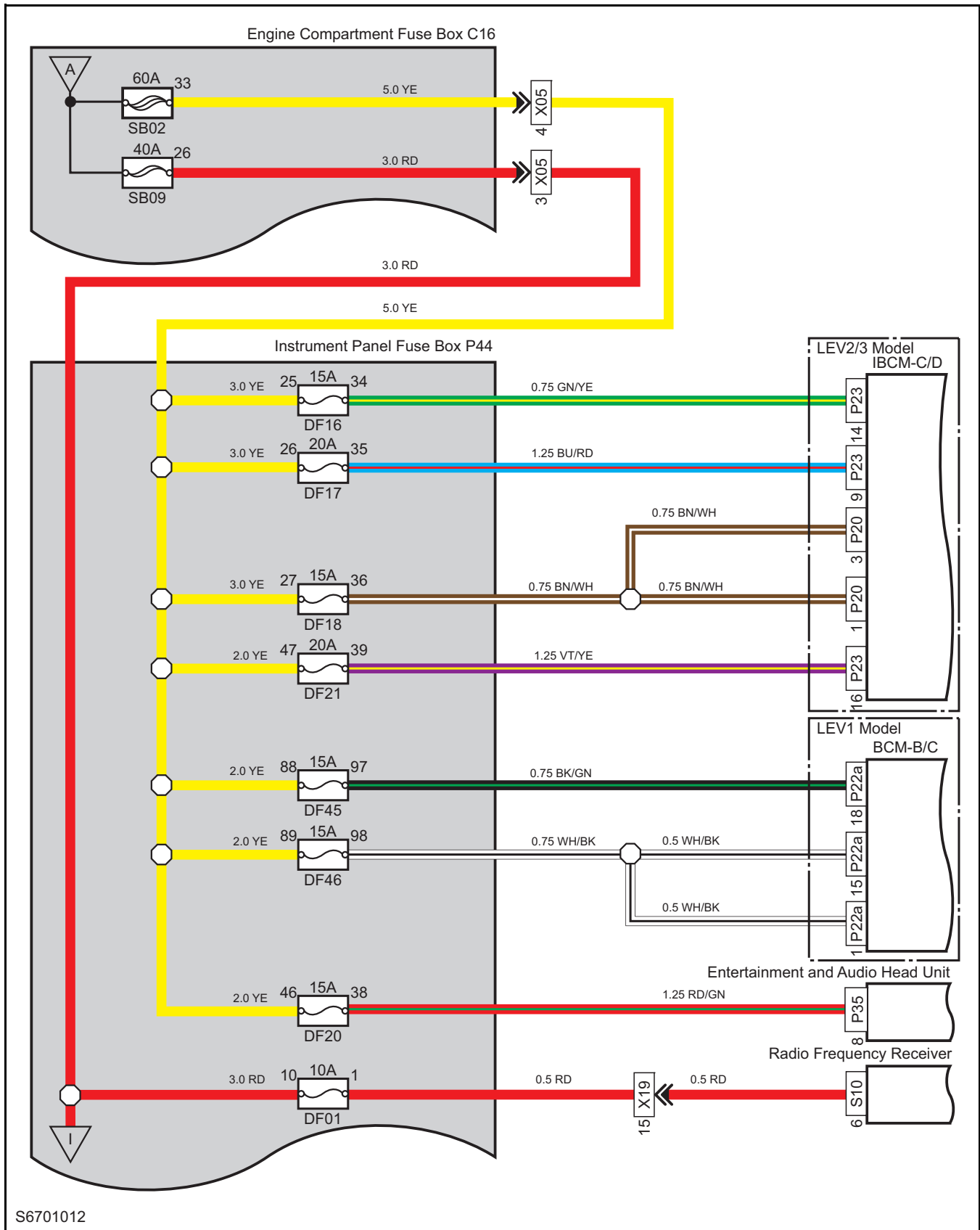
EF07 EF10 EF11 EF12 ER18 ER19



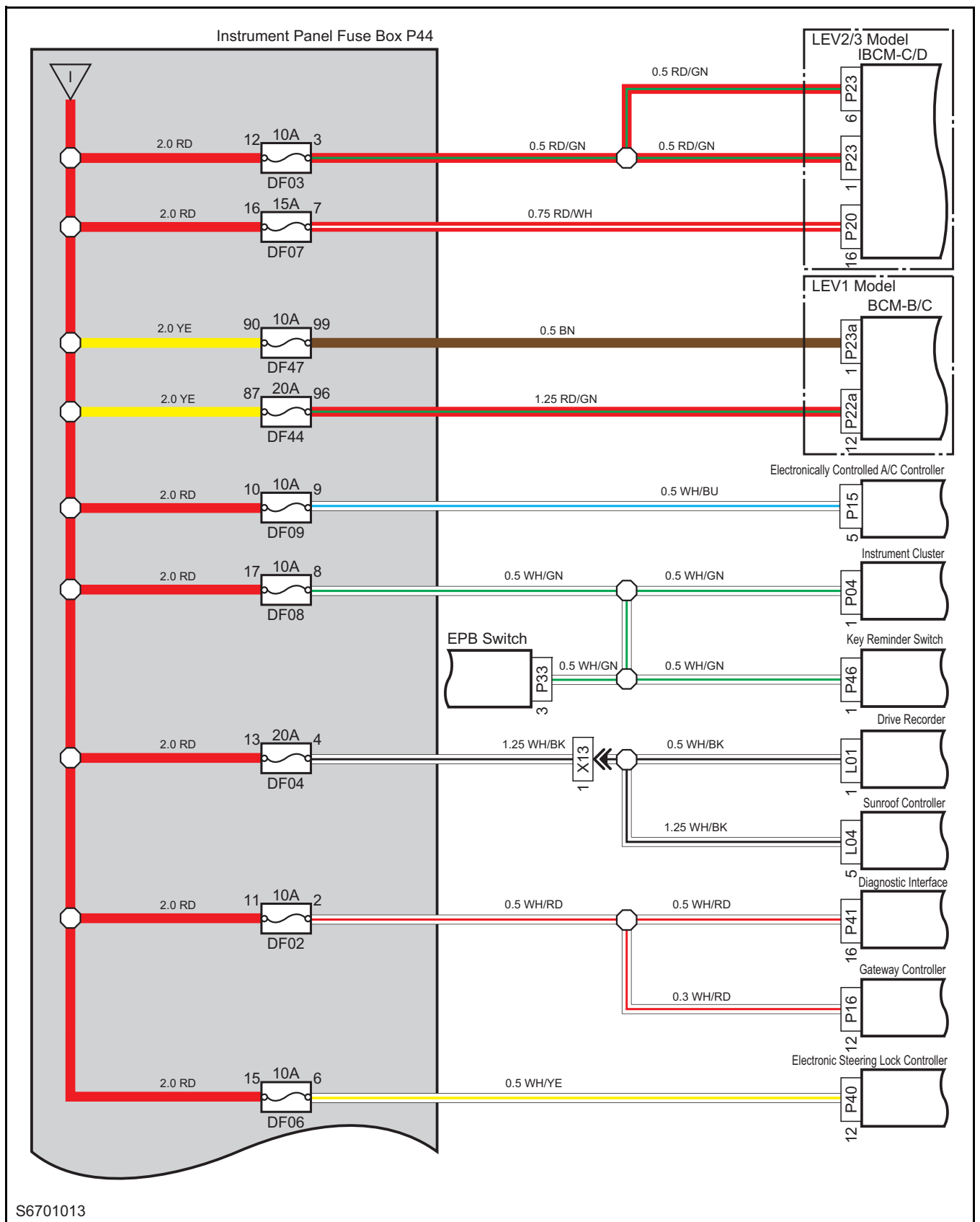
SB01 SB04 EF14 EF15 ER03 ER15



SB02 SB09 DF01 DF16 DF17 DF18 DF20 DF21 DF45 DF46

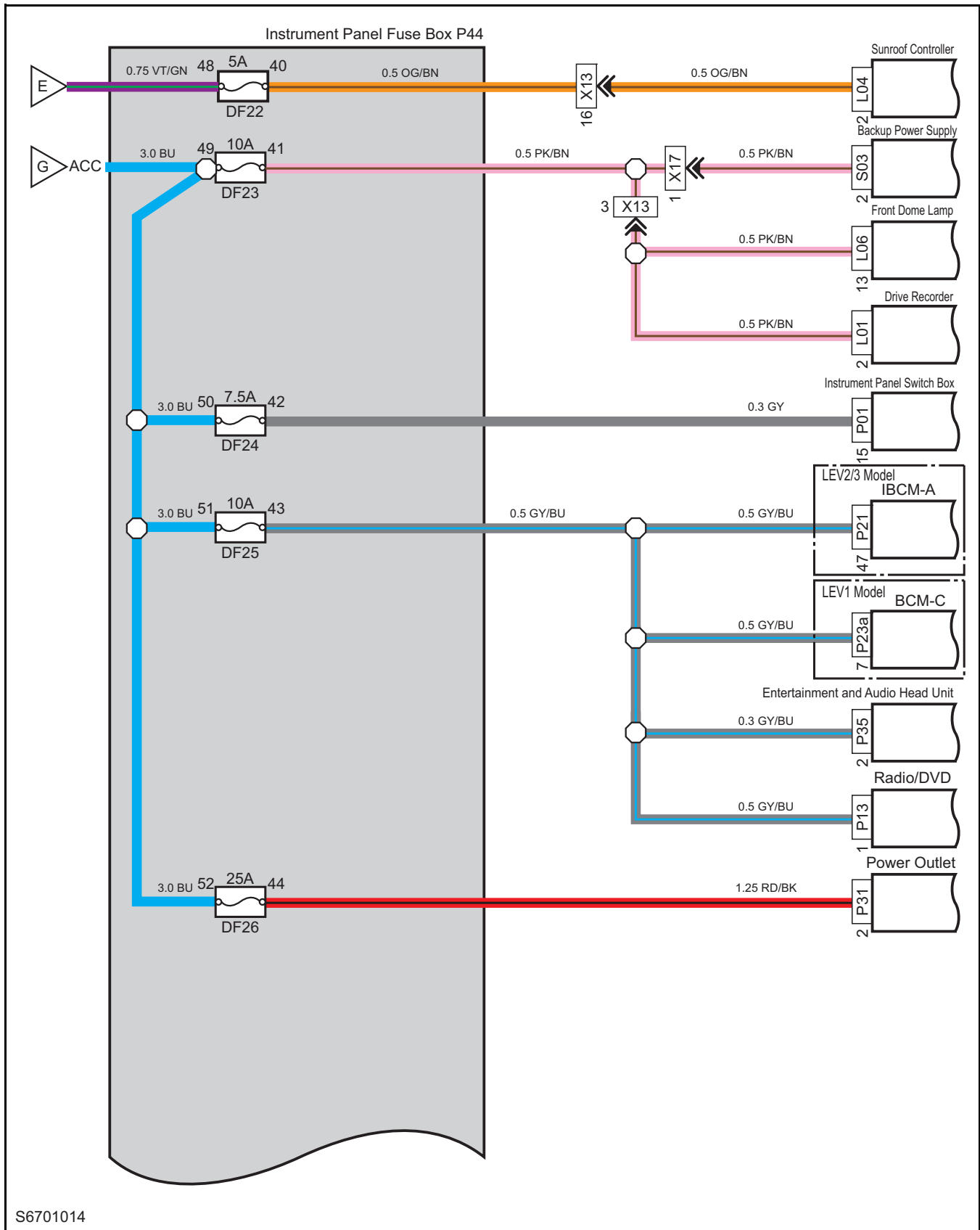


DF02 DF03 DF04 DF06 DF07 DF08 DF09 DF44 DF47

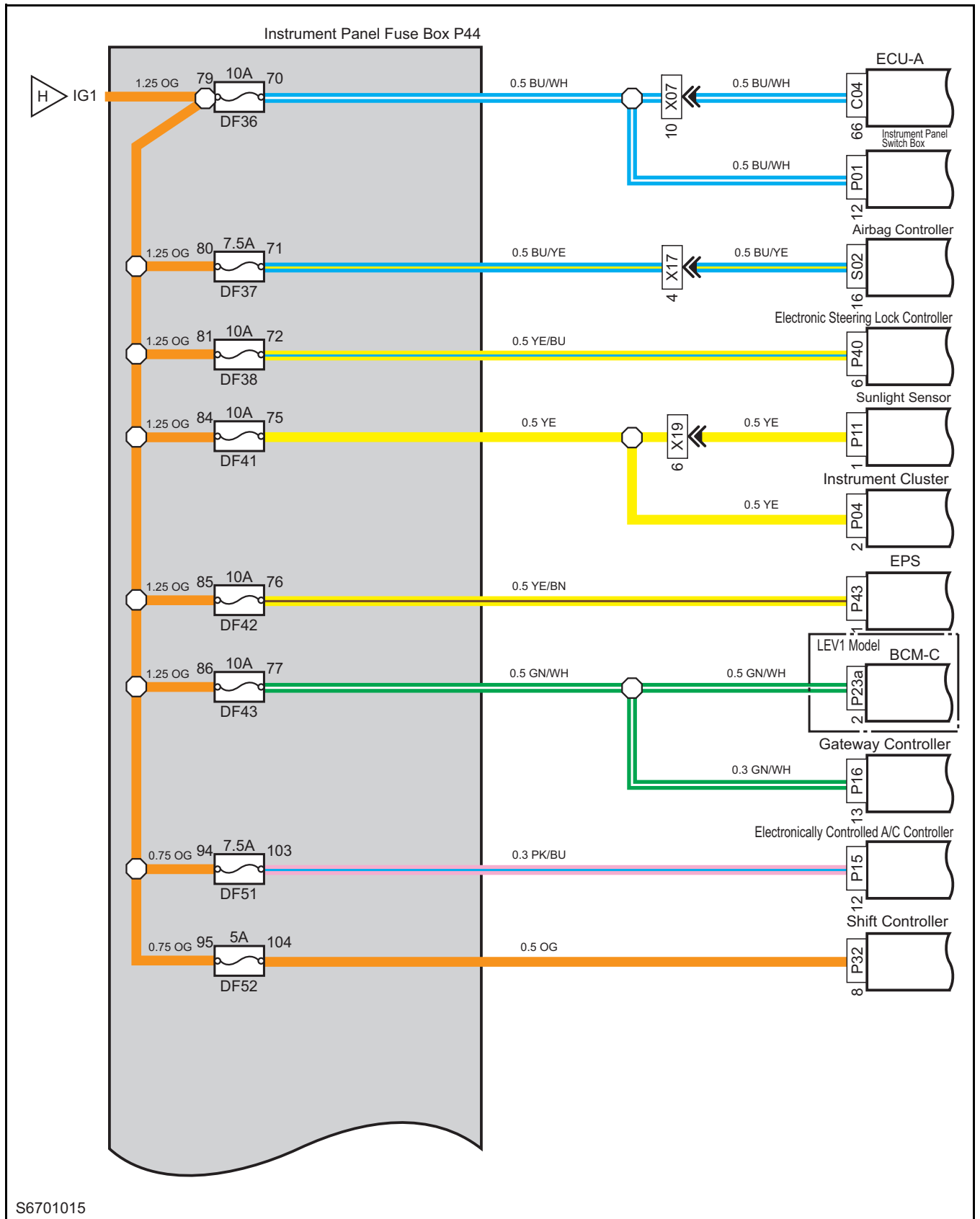


S6701013

DF22 DF23 DF24 DF25 DF26

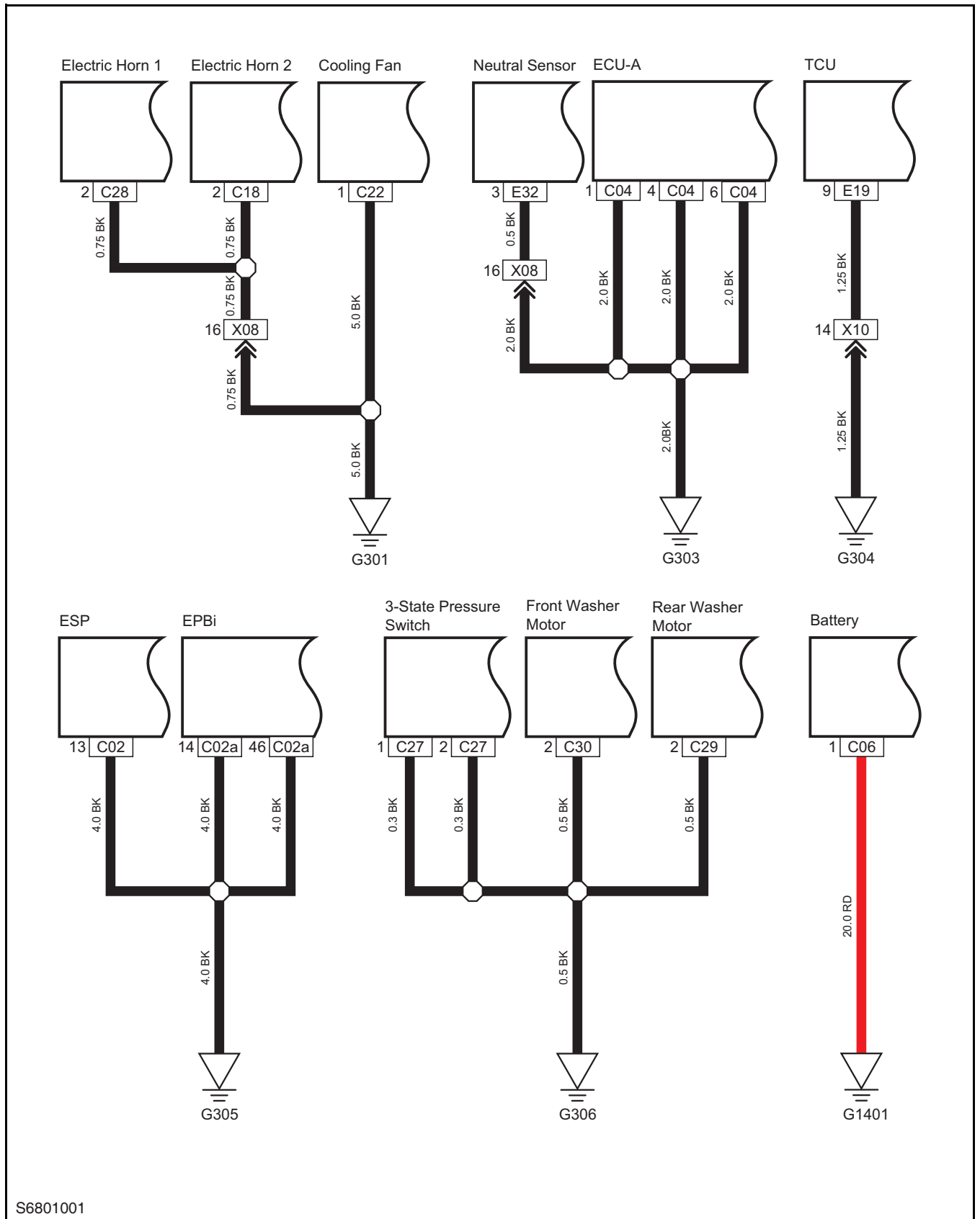


DF26 DF37 DF38 DF41 DF42 DF43 DF51 DF52



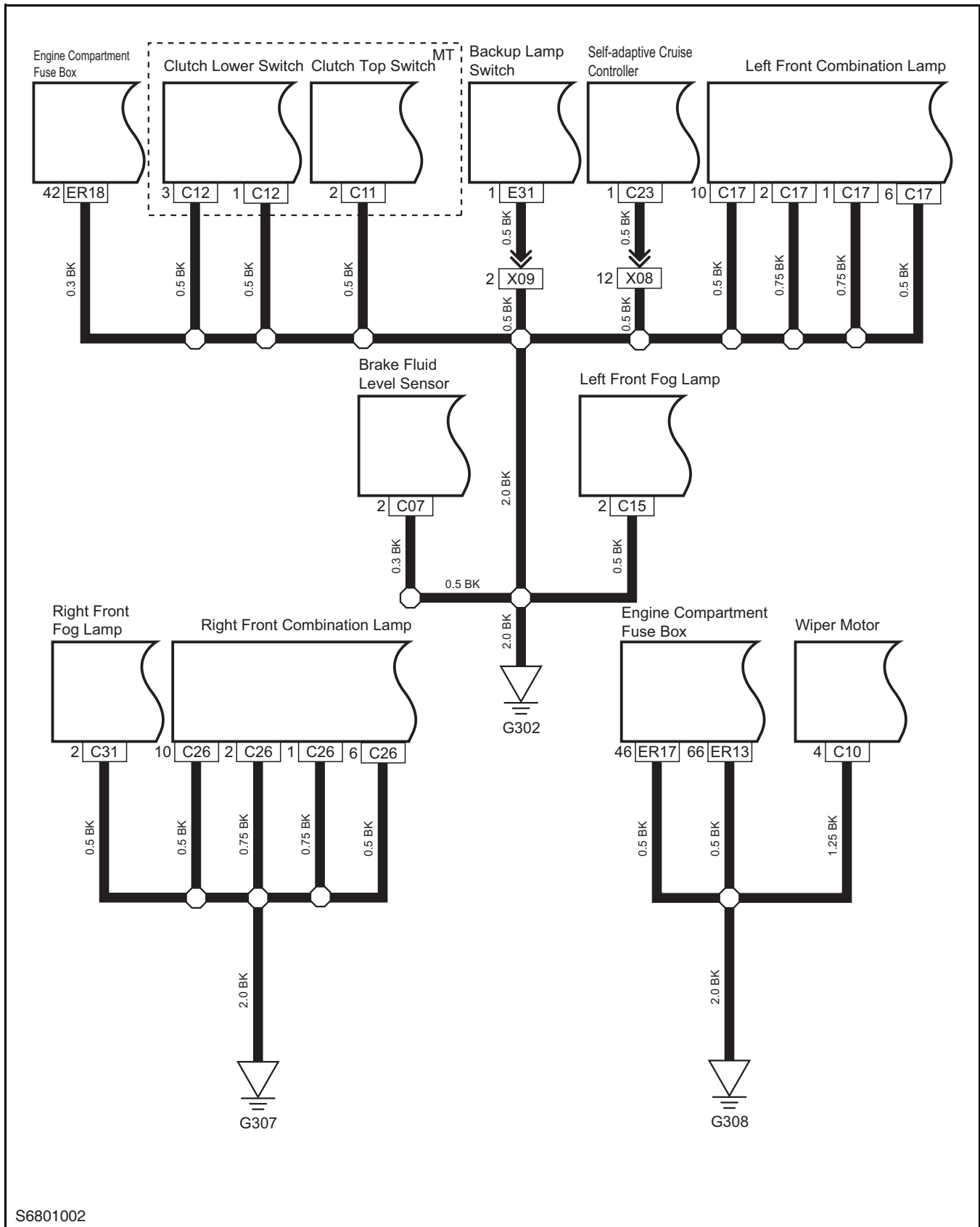
S6701015

G301G303 G304 G305 G306 G1401



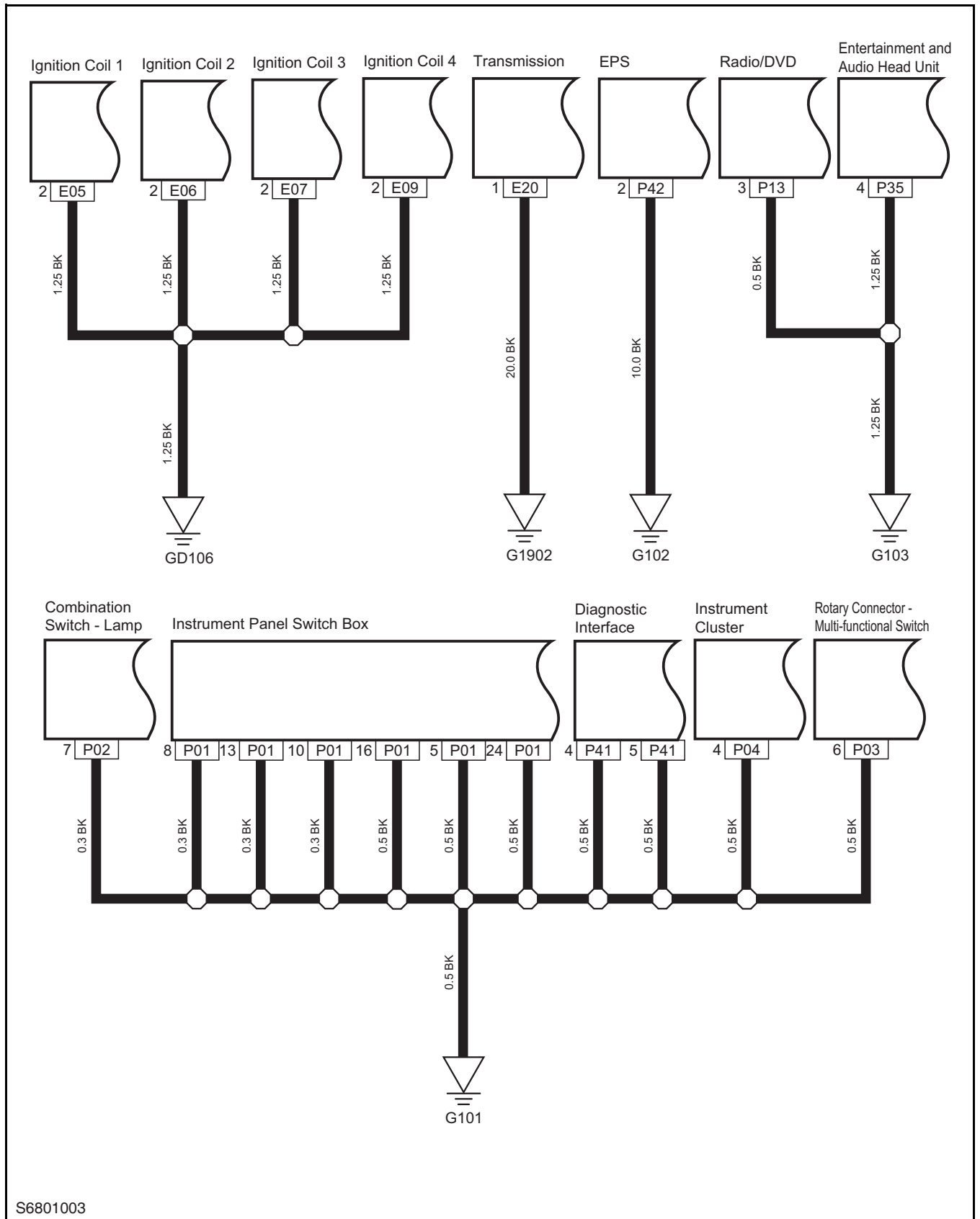
S6801001

G302 G307 G308



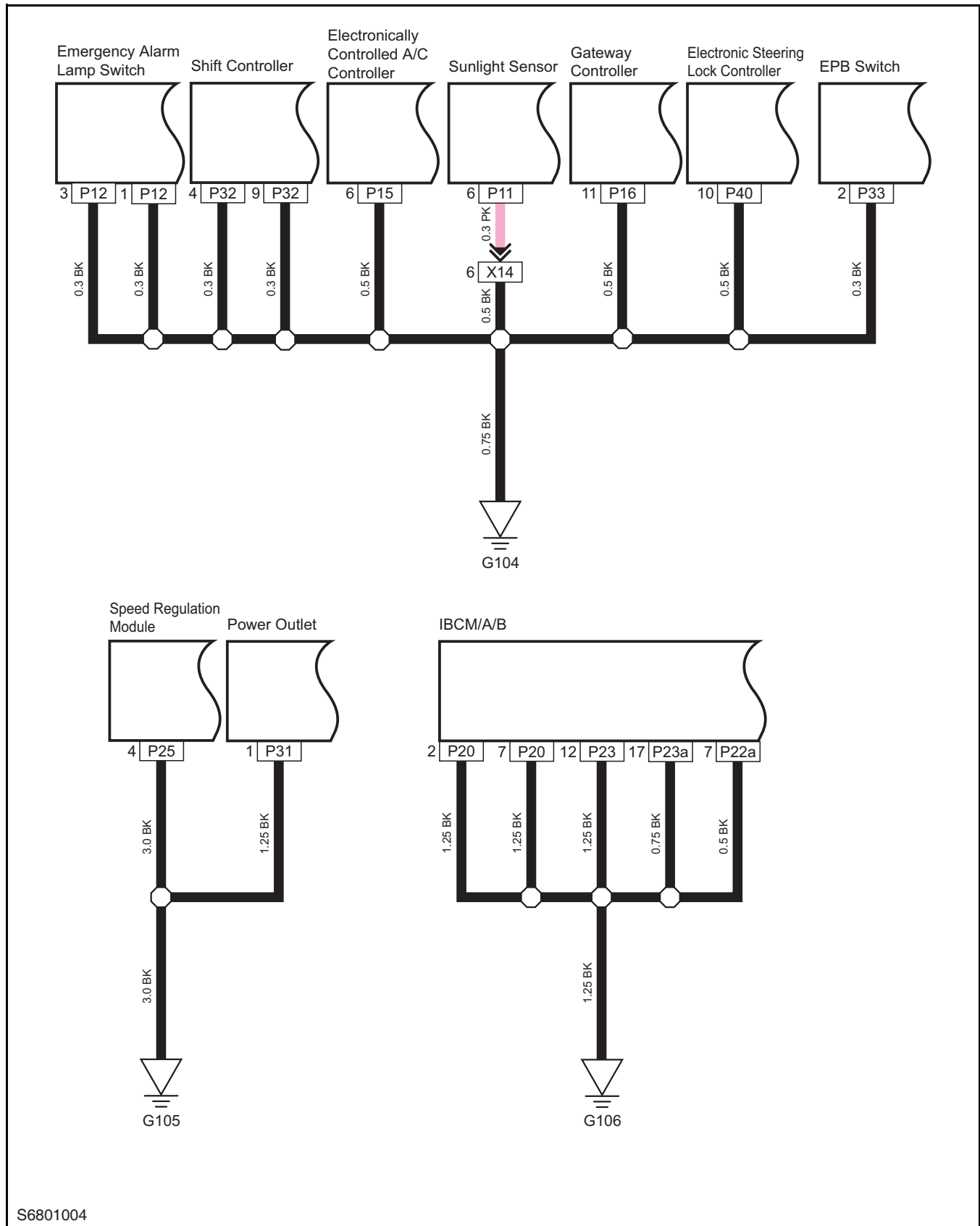
S6801002

G101 G102 G103 GD106 G1902



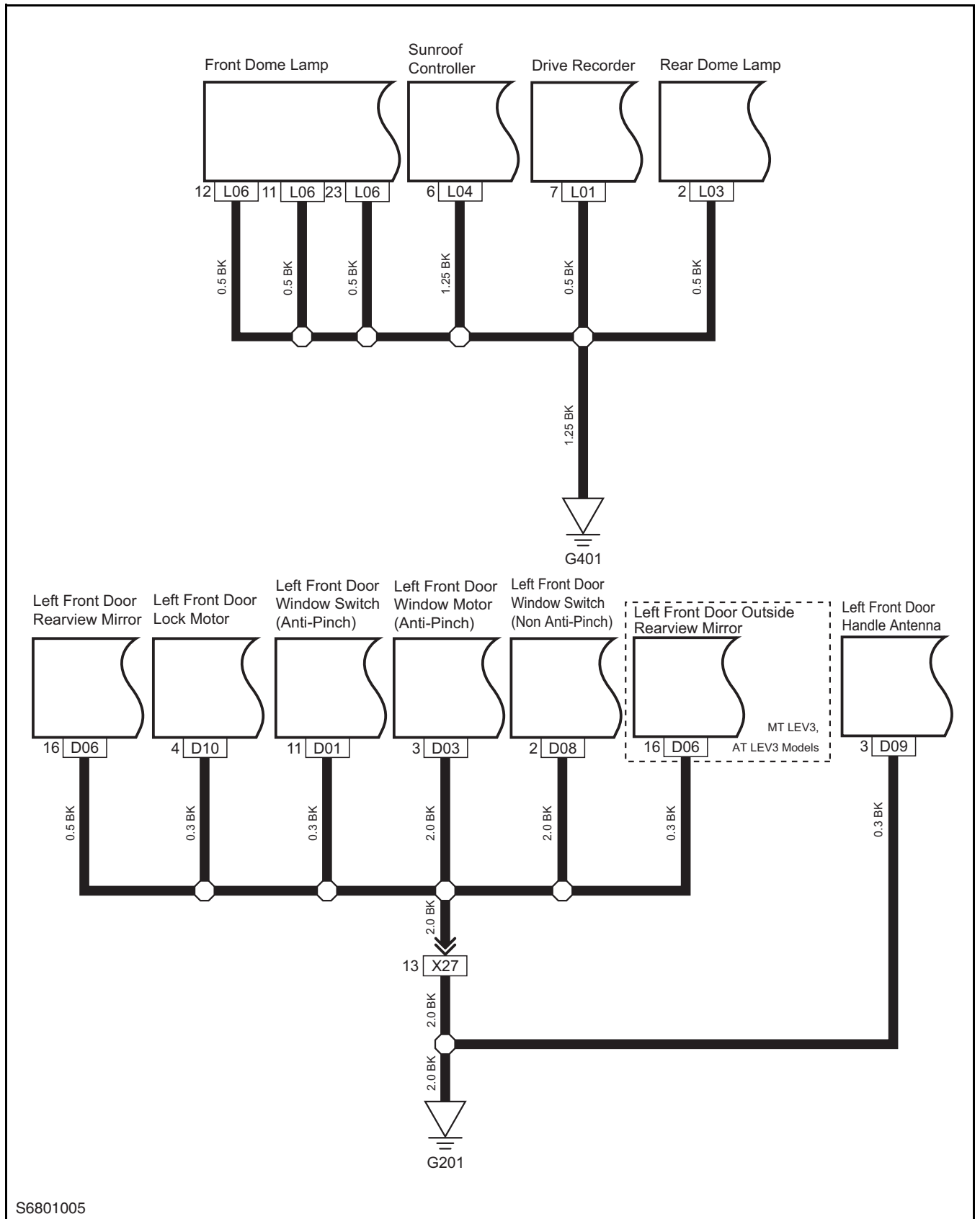
S6801003

G104 G105 G106

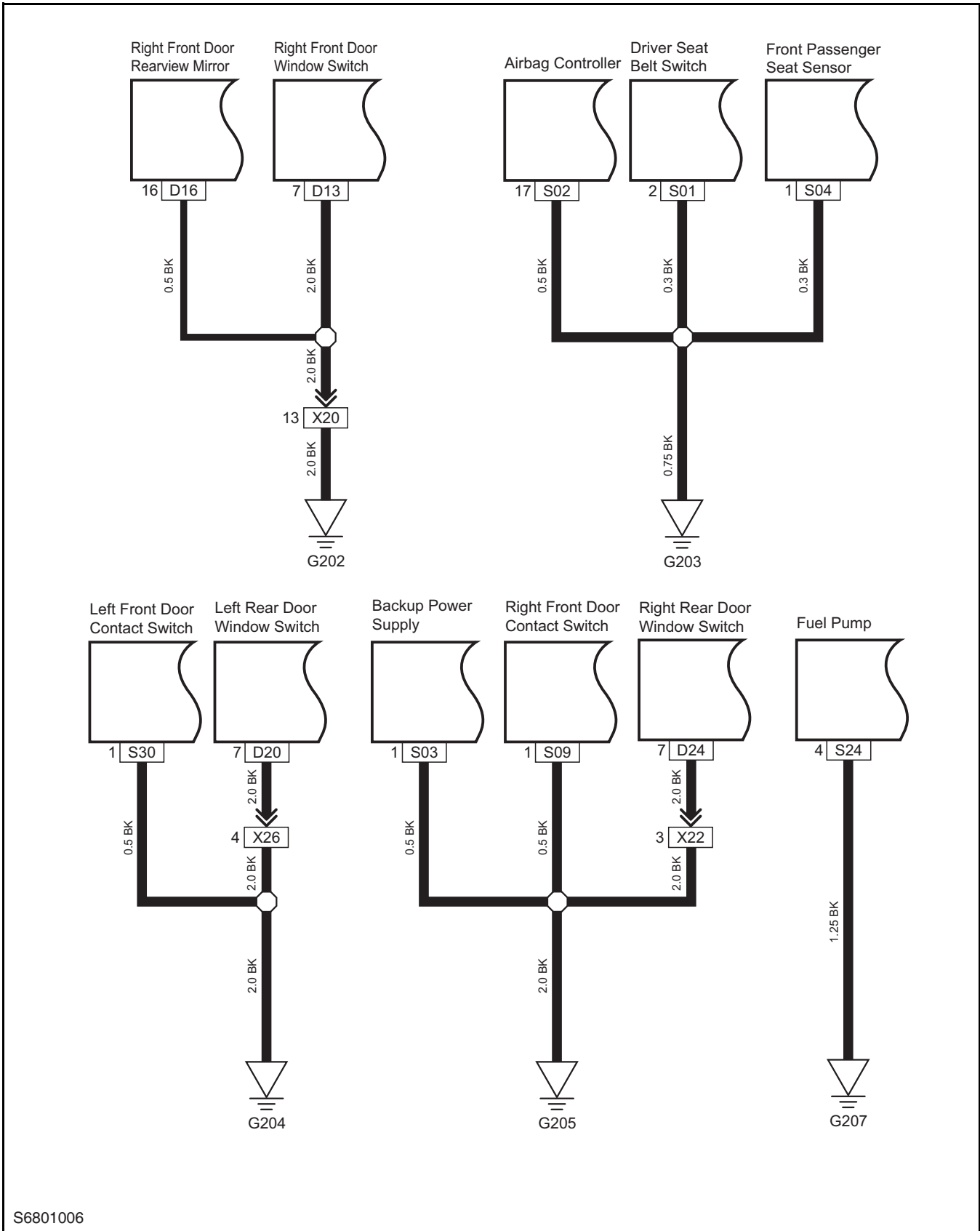


S6801004

G201 G401

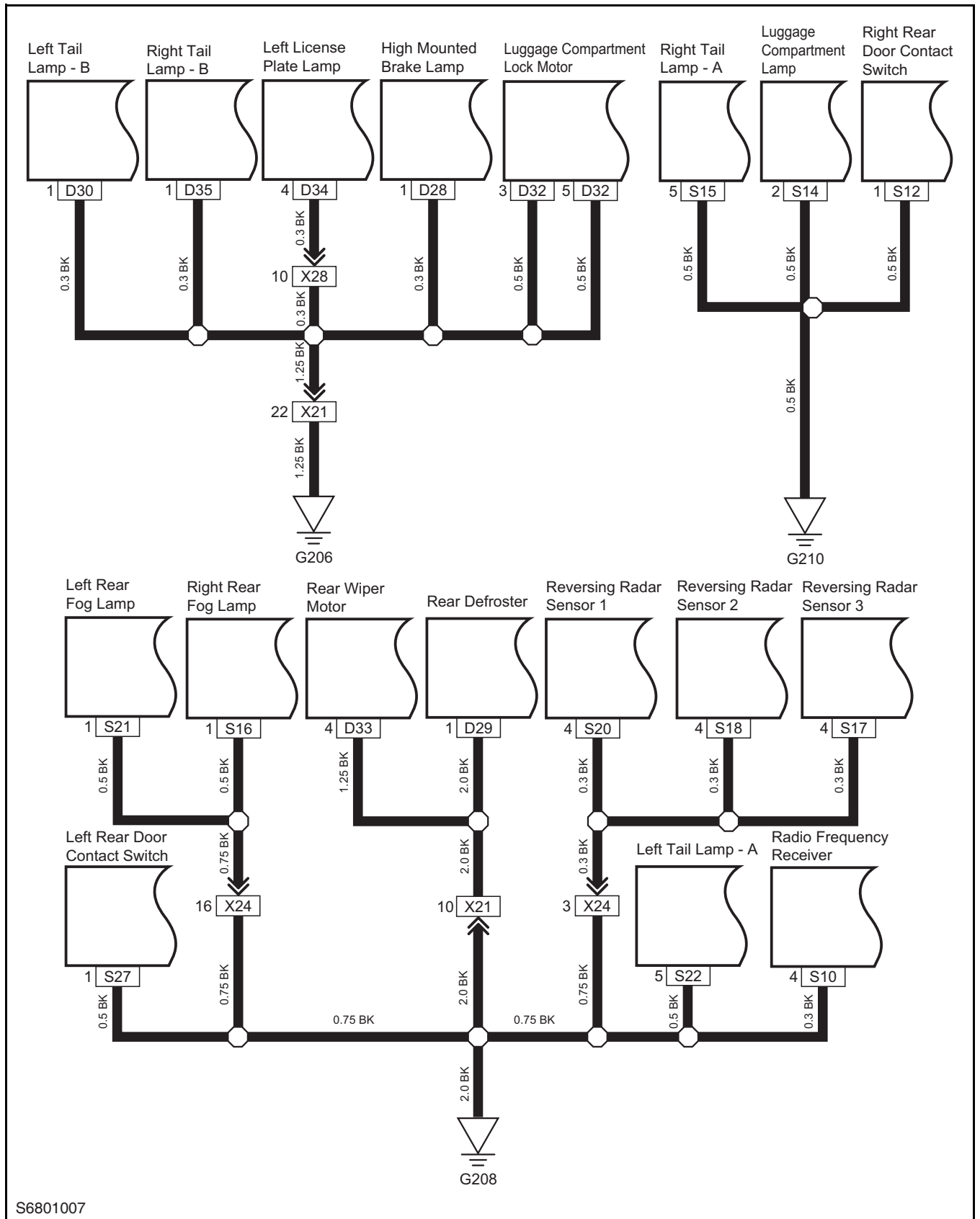


G202 G203 G204 G205 G207



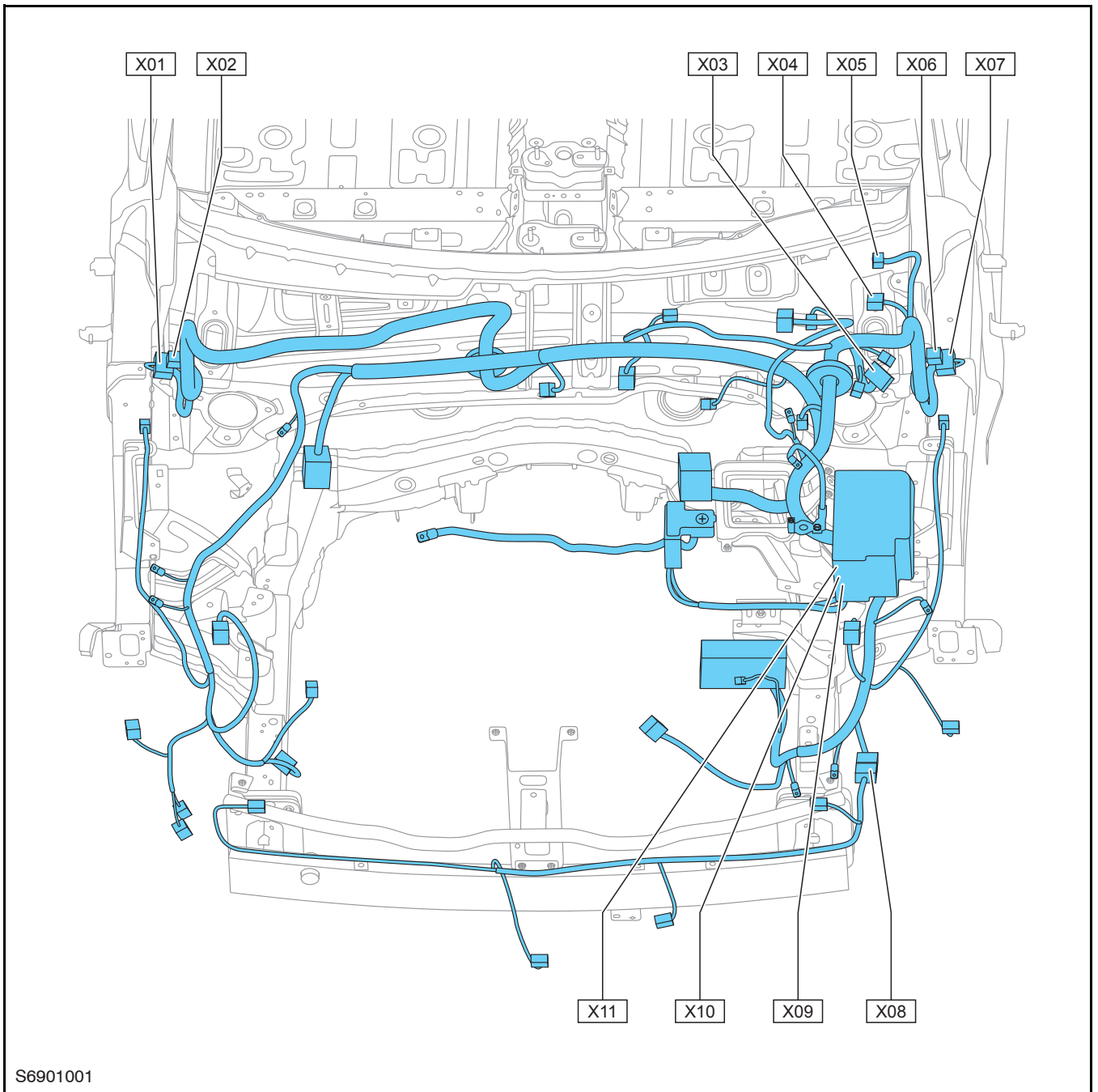
S6801006

G206 G208 G210

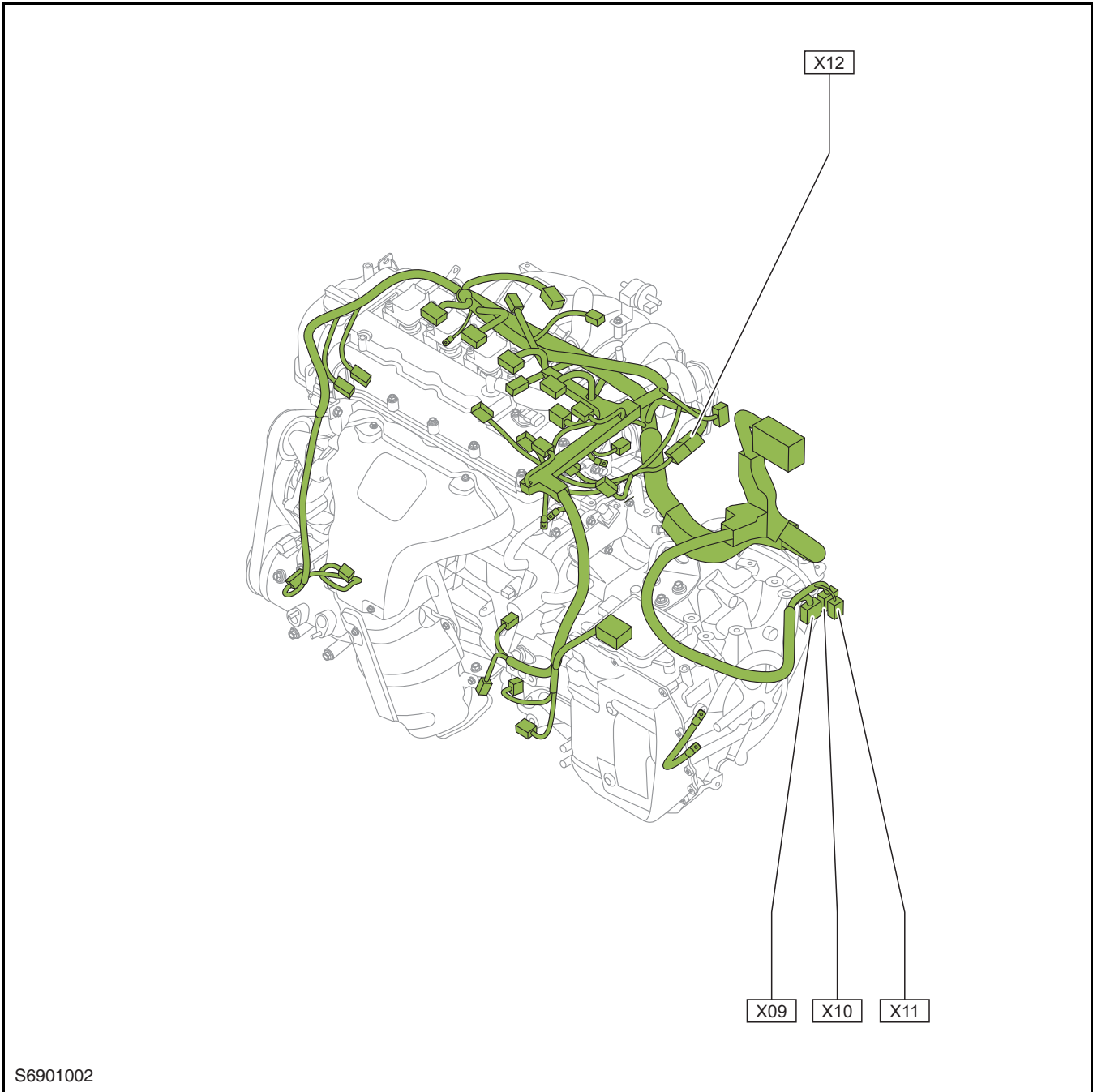


S6801007

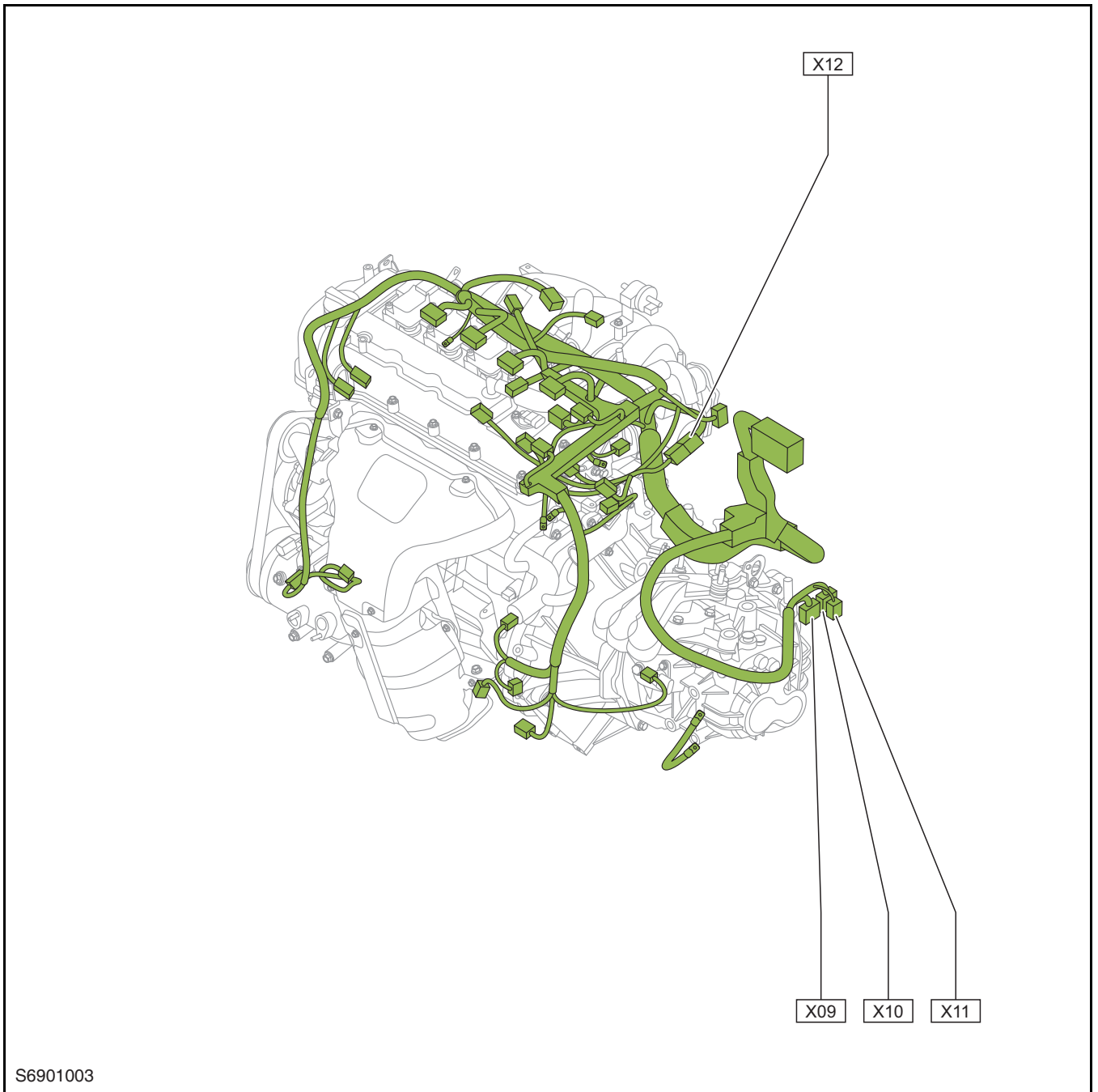
Wiring Harness to Wiring Harness (X--)



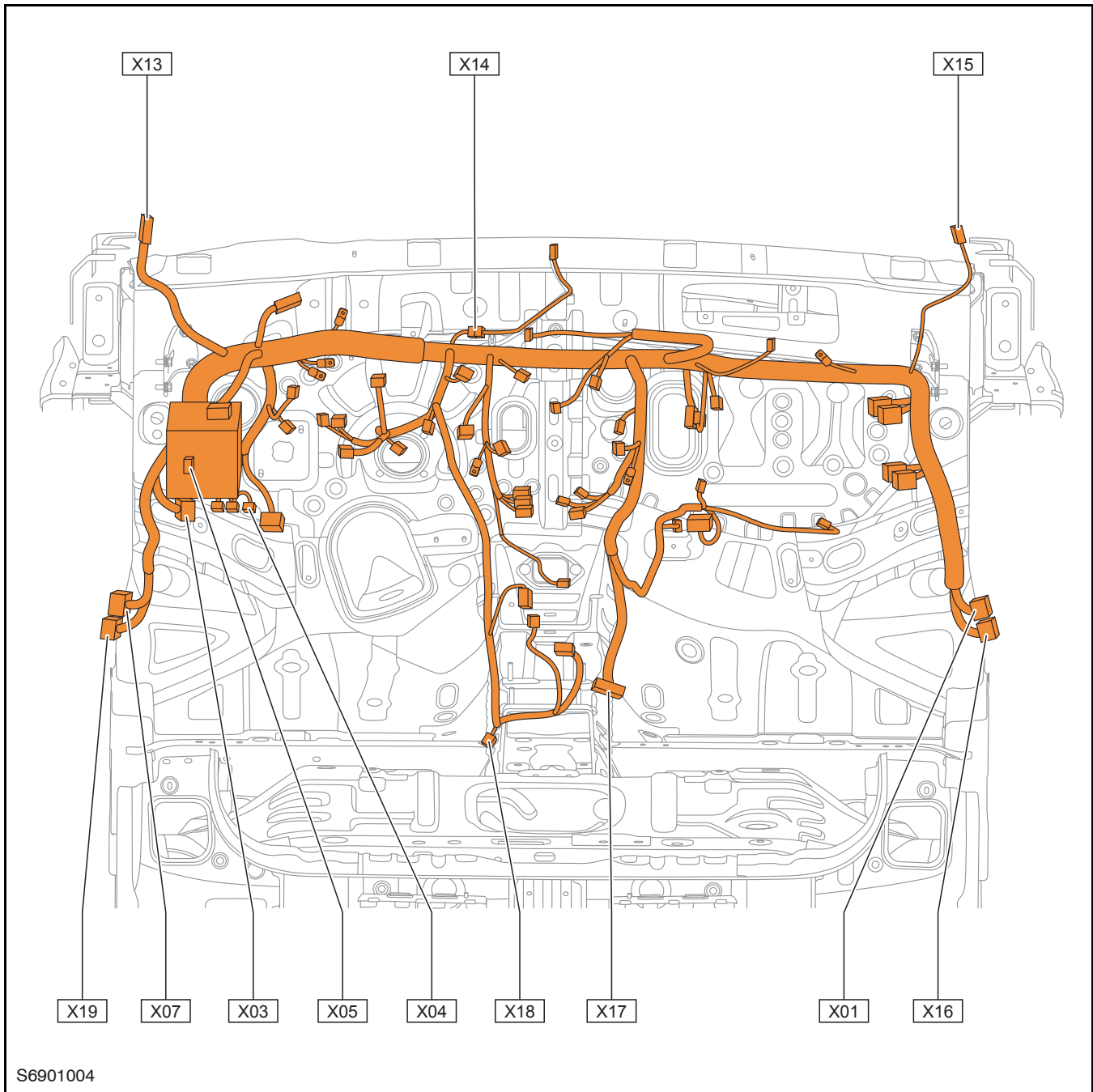
S6901001

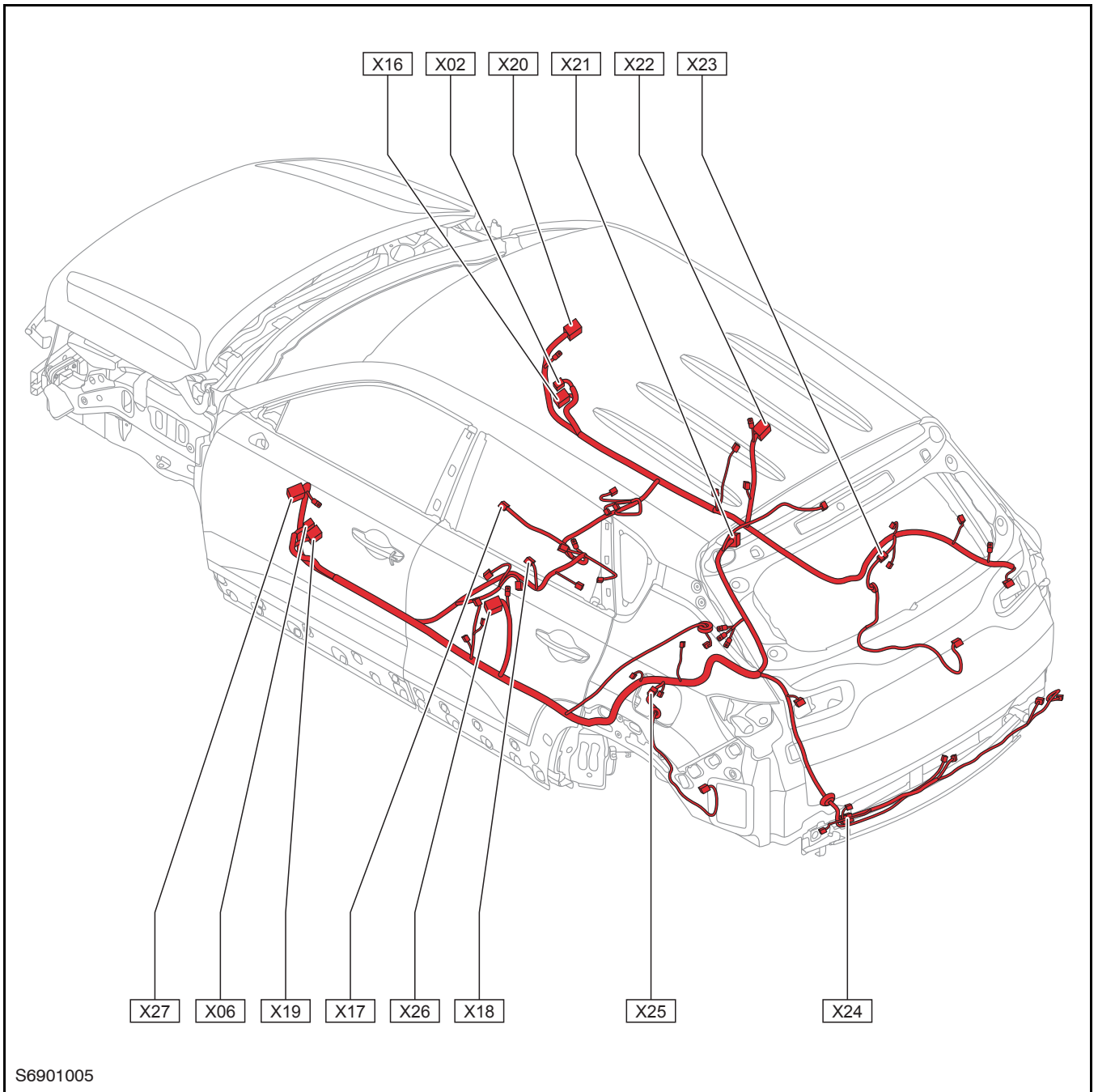


S6901002

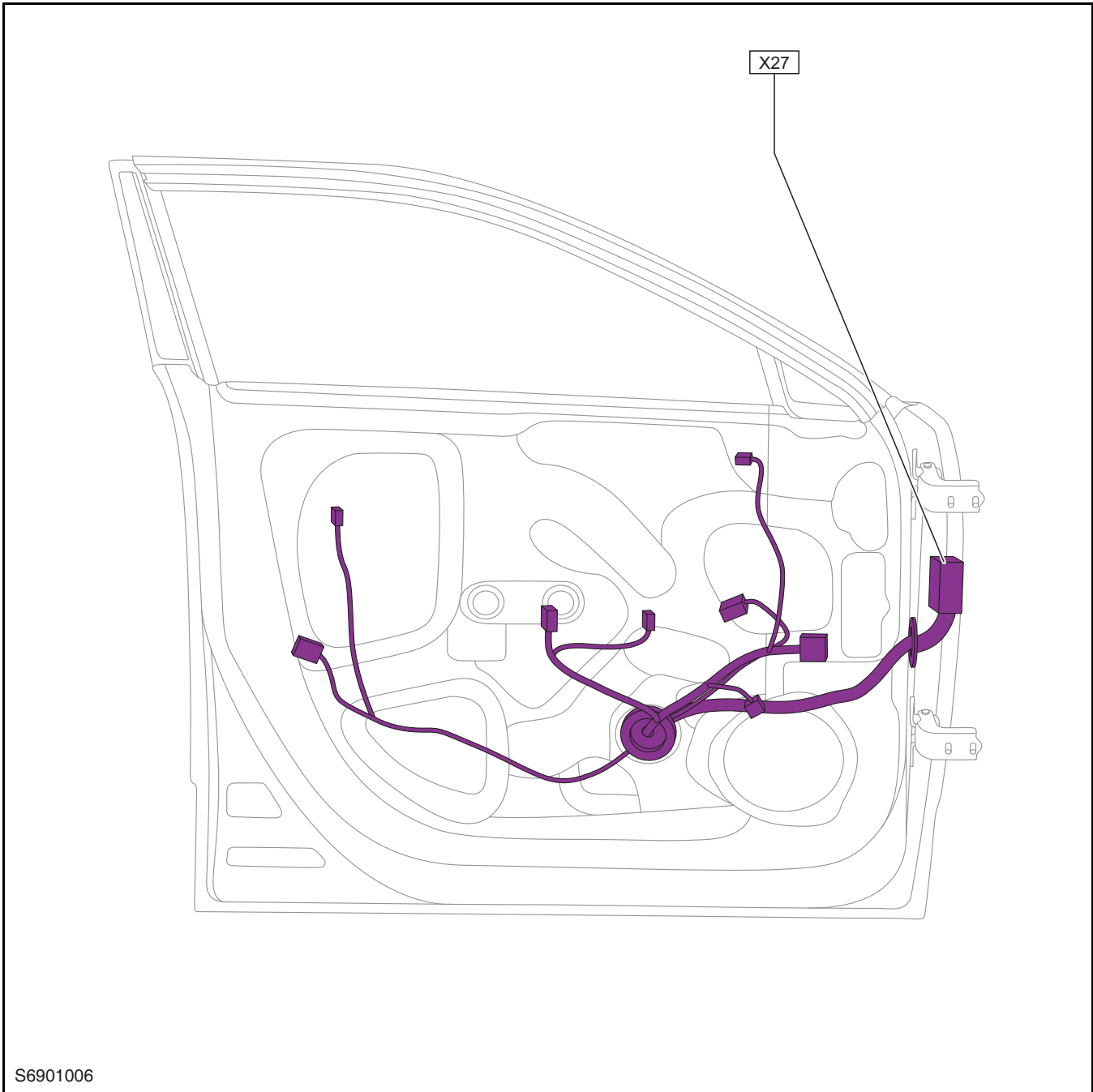


S6901003

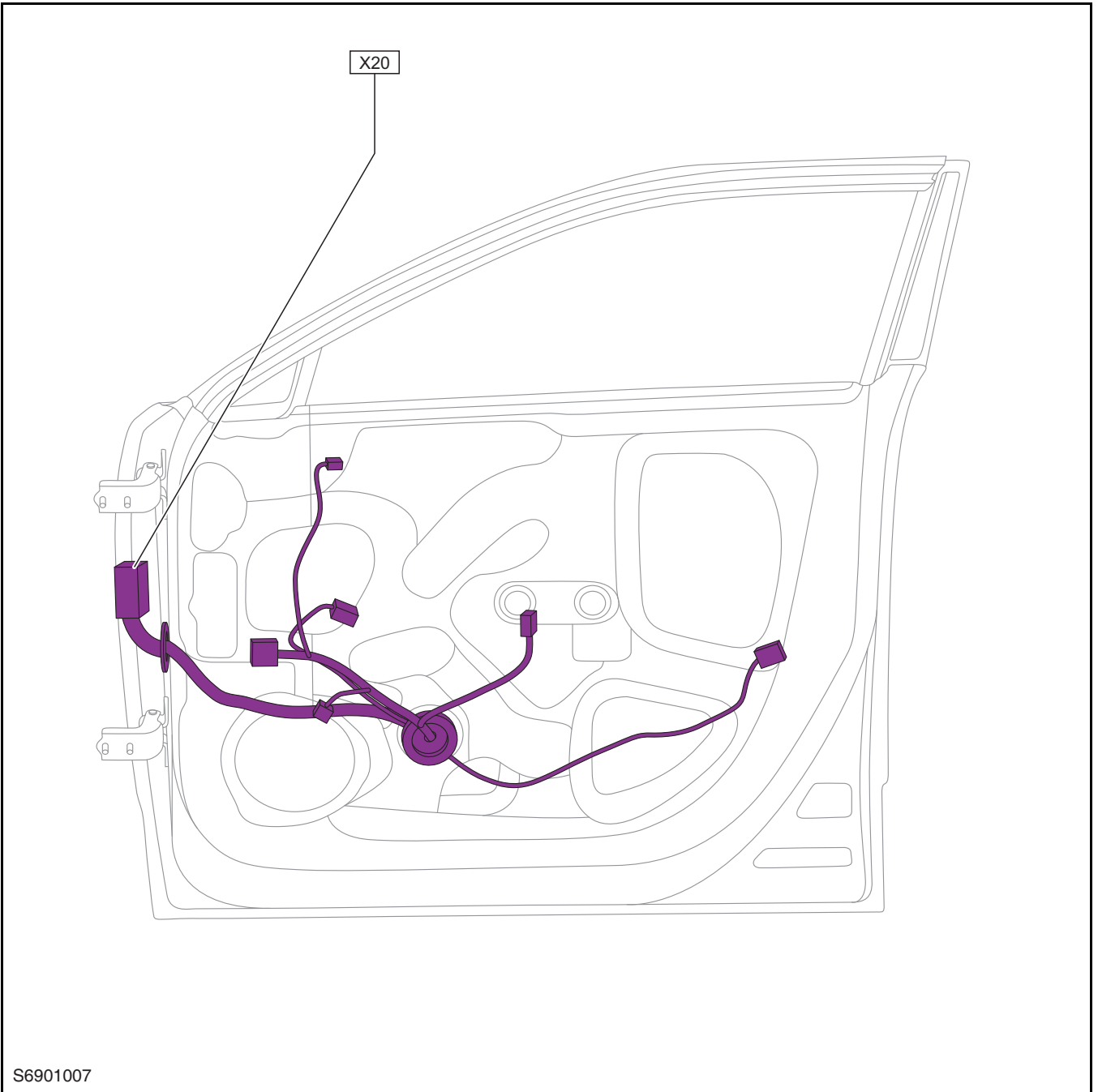




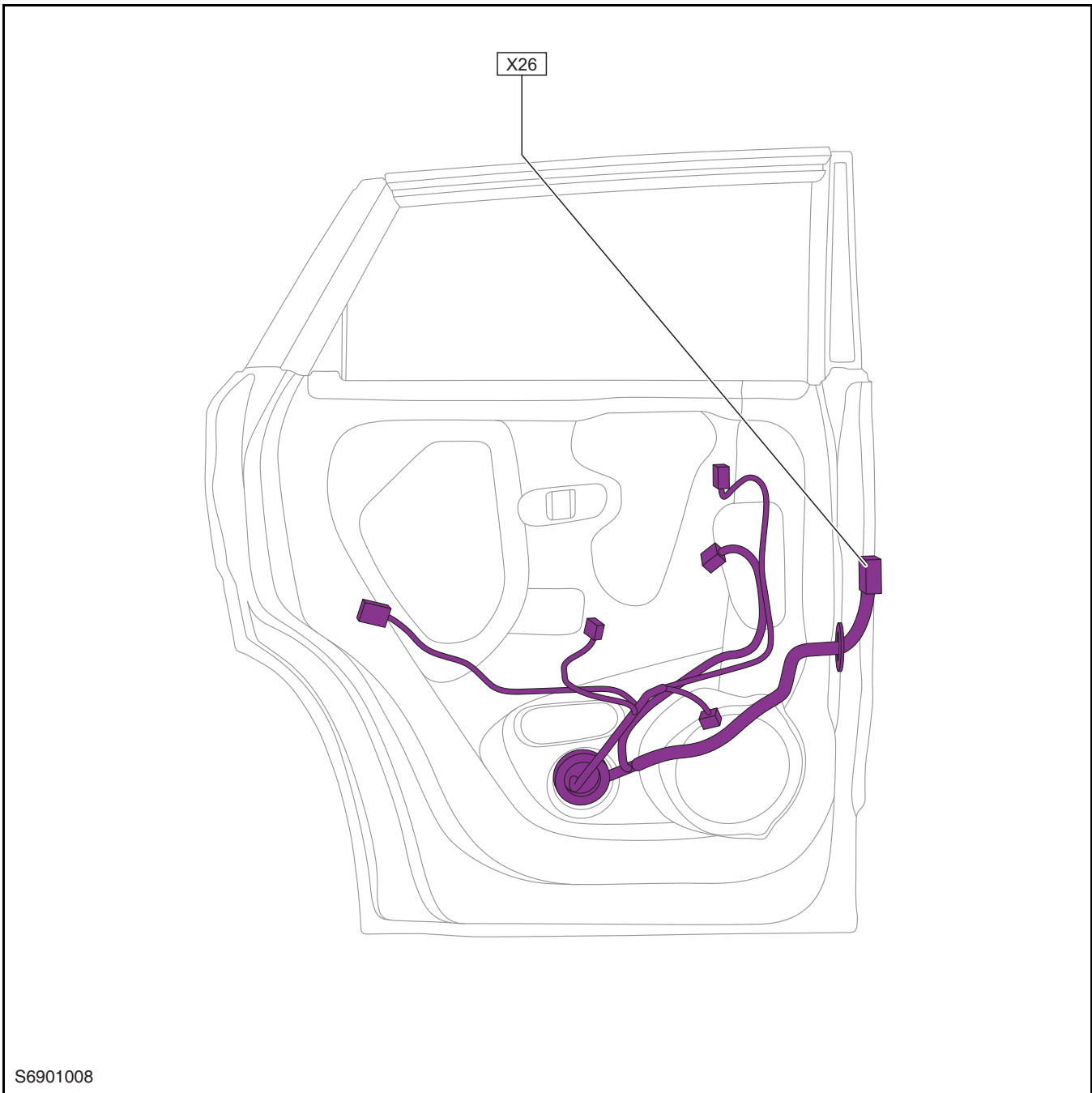
S6901005



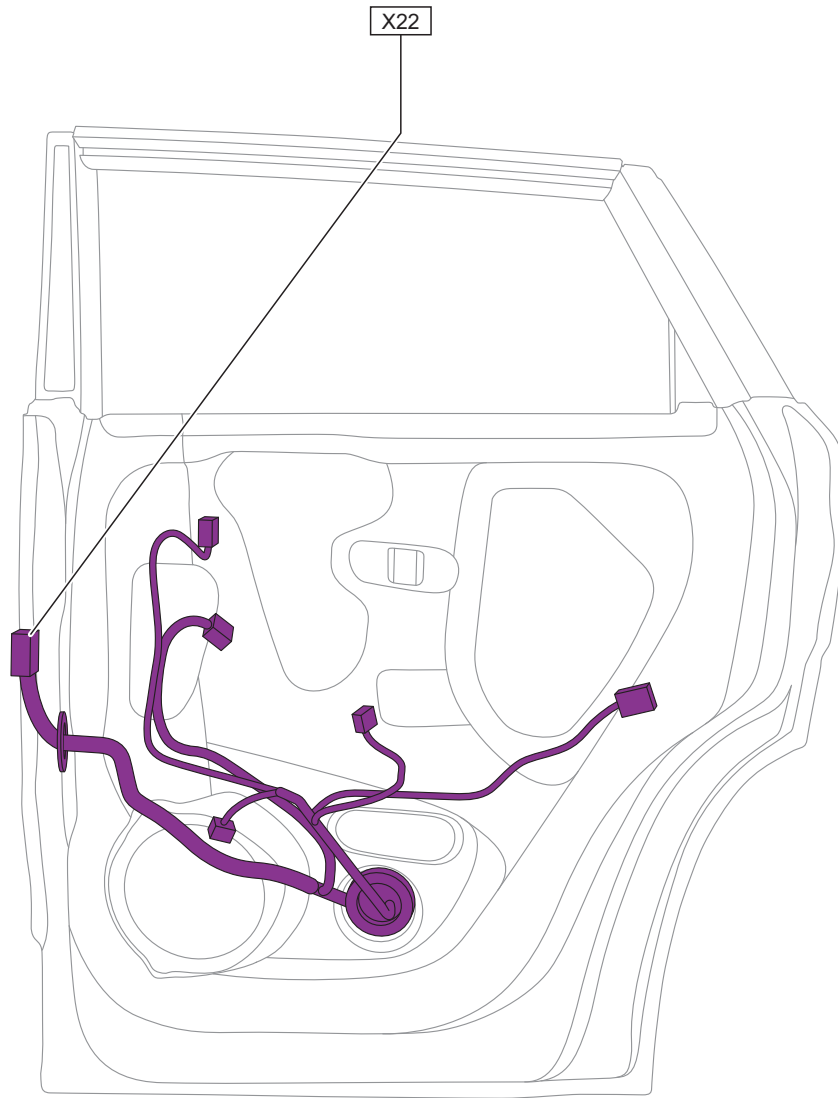
S6901006



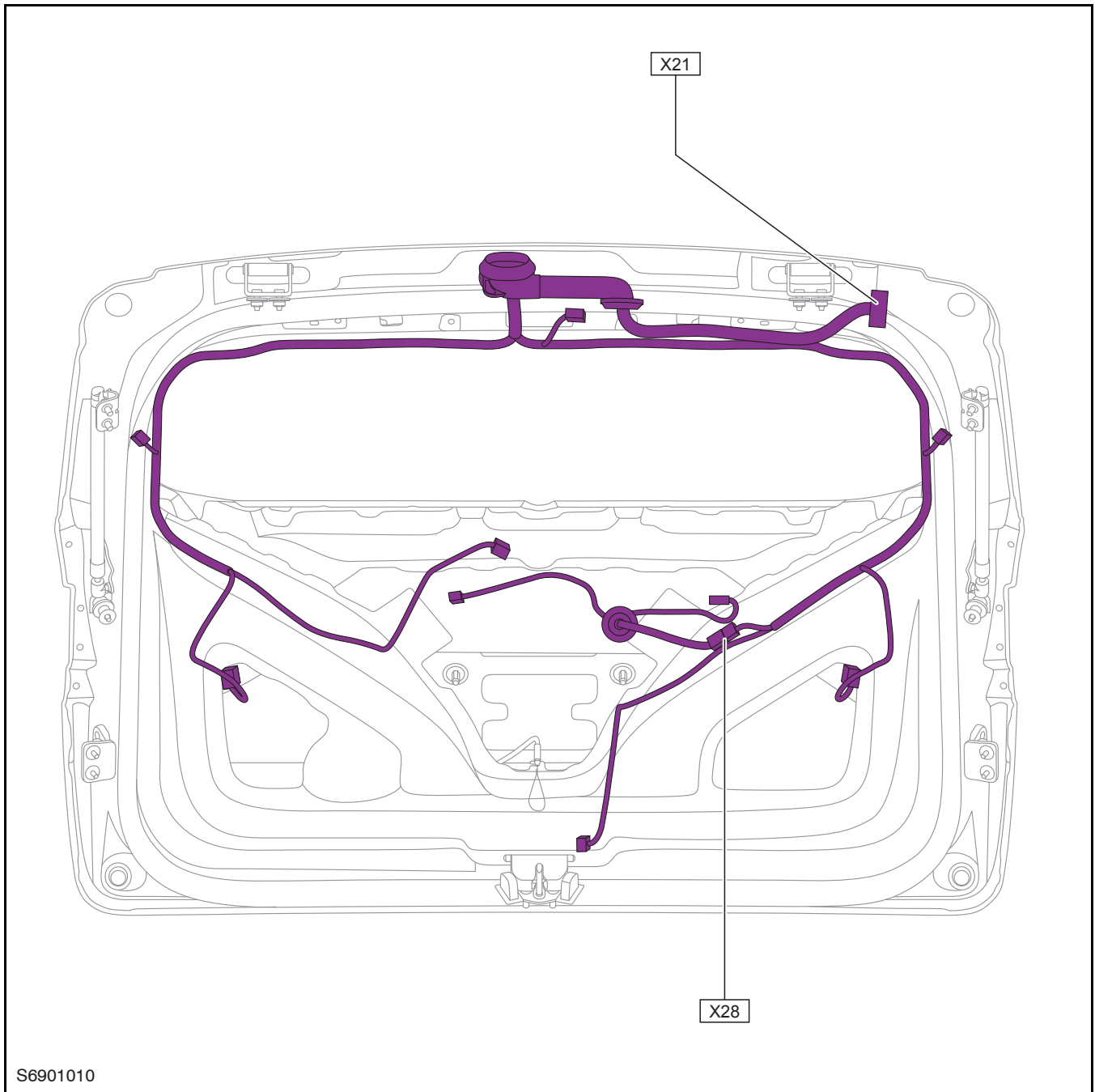
S6901007



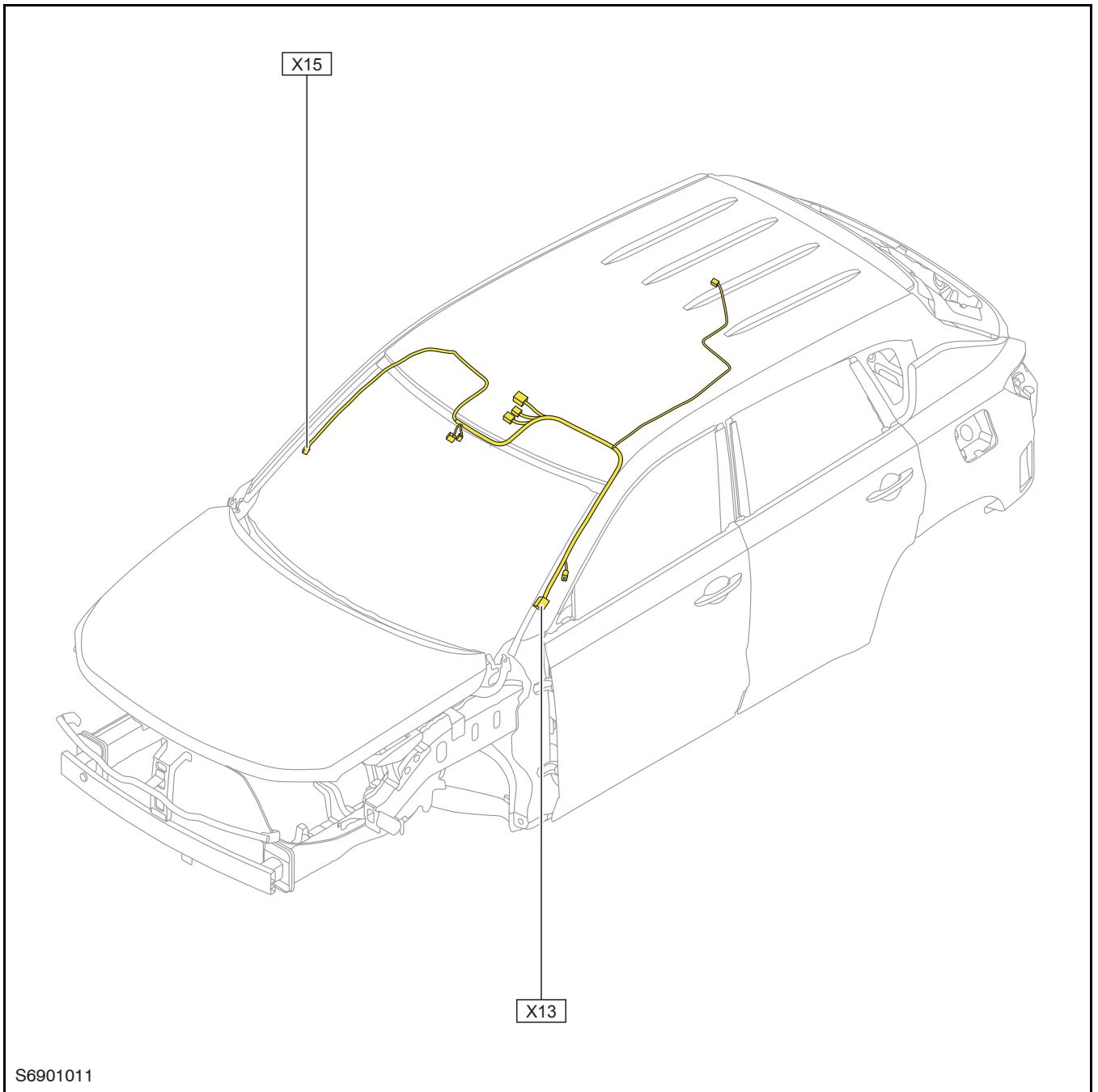
S6901008



S6901009



S6901010



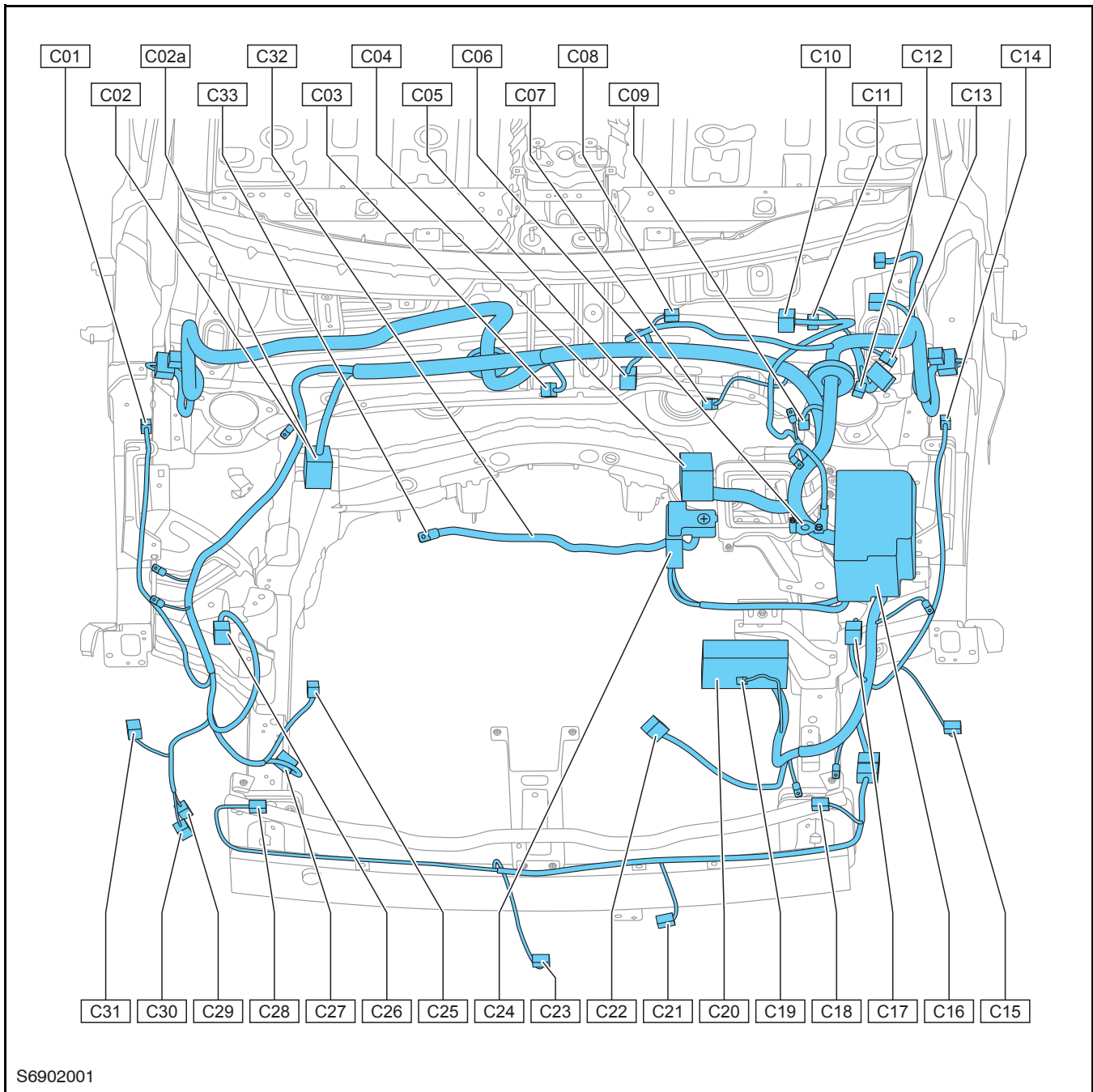
S6901011

Connector Joining Wiring Harness and Wiring Harness (X) Chart

A Connector Name	B Connector Name	Definition
Engine Compartment Wiring Harness to Instrument Panel Wiring Harness E	Instrument Panel Wiring Harness to Engine Compartment Wiring Harness E	X01
Engine Compartment Wiring Harness to Chassis Wiring Harness B	Chassis Wiring Harness to Engine Compartment Wiring Harness B	X02
Engine Compartment Wiring Harness to Instrument Panel Wiring Harness D	Instrument Panel Wiring Harness to Engine Compartment Wiring Harness D	X03
Engine Compartment Wiring Harness to Instrument Panel Wiring Harness B	Instrument Panel Wiring Harness to Engine Compartment Wiring Harness B	X04
Engine Compartment Wiring Harness to Instrument Panel Wiring Harness C	Instrument Panel Wiring Harness to Engine Compartment Wiring Harness C	X05
Engine Compartment Wiring Harness to Chassis Wiring Harness A	Chassis Wiring Harness to Engine Compartment Wiring Harness A	X06
Engine Compartment Wiring Harness to Instrument Panel Wiring Harness A	Instrument Panel Wiring Harness to Engine Compartment Wiring Harness A	X07
Engine Compartment Wiring Harness to Front End Module Wiring Harness	Front End Module Wiring Harness to Engine Compartment Wiring Harness	X08
Engine Compartment Wiring Harness to Engine Wiring Harness A	Engine Wiring Harness to Engine Compartment Wiring Harness A	X09
Engine Compartment Wiring Harness to Engine Wiring Harness B	Engine Wiring Harness to Engine Compartment Wiring Harness B	X10
Engine Compartment Wiring Harness to Engine Wiring Harness C	Engine Wiring Harness to Engine Compartment Wiring Harness C	X11
Engine Wiring Harness to Fuel Injector Wiring Harness	Fuel Injector Wiring Harness to Engine Wiring Harness	X12
Instrument Panel Wiring Harness to Roof Wiring Harness A	Roof Wiring Harness to Instrument Panel Wiring Harness A	X13
Instrument Panel Wiring Harness to Sunlight Sensor Wiring Harness	Sunlight Sensor Wiring Harness to Instrument Panel Wiring Harness	X14
Instrument Panel Wiring Harness to Roof Wiring Harness B	Roof Wiring Harness to Instrument Panel Wiring Harness B	X15
Instrument Panel Wiring Harness to Chassis Wiring Harness C	Chassis Wiring Harness to Instrument Panel Wiring Harness C	X16
Instrument Panel Wiring Harness to Chassis Wiring Harness D	Chassis Wiring Harness to Instrument Panel Wiring Harness D	X17
Instrument Panel Wiring Harness to Chassis Wiring Harness B	Chassis Wiring Harness to Instrument Panel Wiring Harness B	X18
Instrument Panel Wiring Harness to Chassis Wiring Harness A	Chassis Wiring Harness to Instrument Panel Wiring Harness A	X19
Chassis Wiring Harness to Right Front Door Wiring Harness	Right Front Door Wiring Harness to Chassis Wiring Harness	X20
Chassis Wiring Harness to Back Door Wiring Harness	Back Door Wiring Harness to Chassis Wiring Harness	X21

A Connector Name	B Connector Name	Definition
Chassis Wiring Harness to Right Rear Door Wiring Harness	Right Rear Door Wiring Harness to Chassis Wiring Harness	X22
Chassis Wiring Harness to Right EPB Motor Wiring Harness	Right EPB Motor Wiring Harness to Chassis Wiring Harness	X23
Chassis Wiring Harness to Rear Bumper Wiring Harness	Rear Bumper Wiring Harness to Chassis Wiring Harness	X24
Chassis Wiring Harness to Left EPB Motor Wiring Harness	Left EPB Motor Wiring Harness to Chassis Wiring Harness	X25
Chassis Wiring Harness to Left Rear Door Wiring Harness	Left Rear Door Wiring Harness to Chassis Wiring Harness	X26
Chassis Wiring Harness to Left Front Door Wiring Harness	Left Front Door Wiring Harness to Chassis Wiring Harness	X27
Back Door Wiring Harness to License Plate Lamp Wiring Harness	License Plate Lamp Wiring Harness to Back Door Wiring Harness	X28

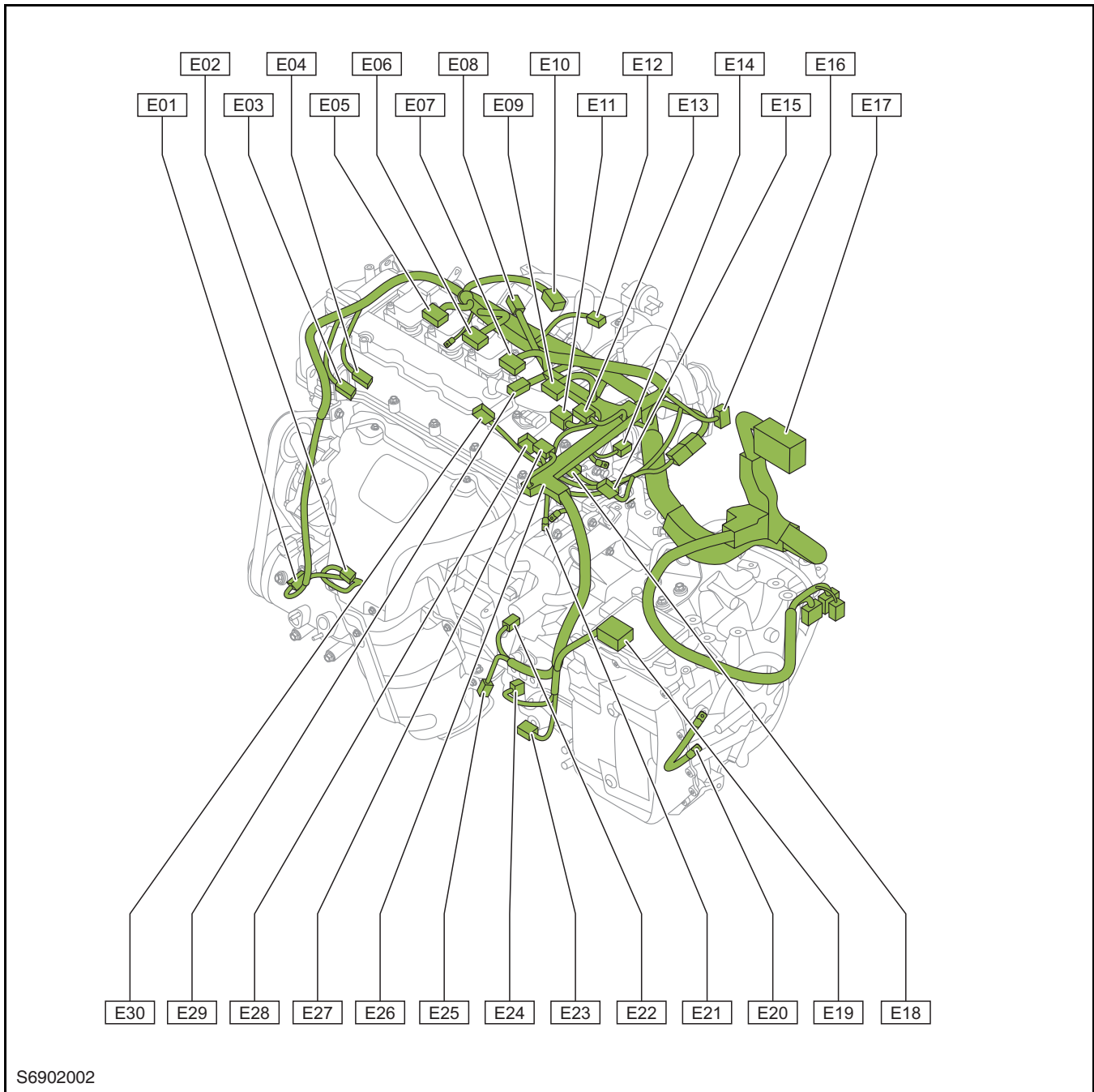
Engine Compartment Wiring Harness Connector (C--)



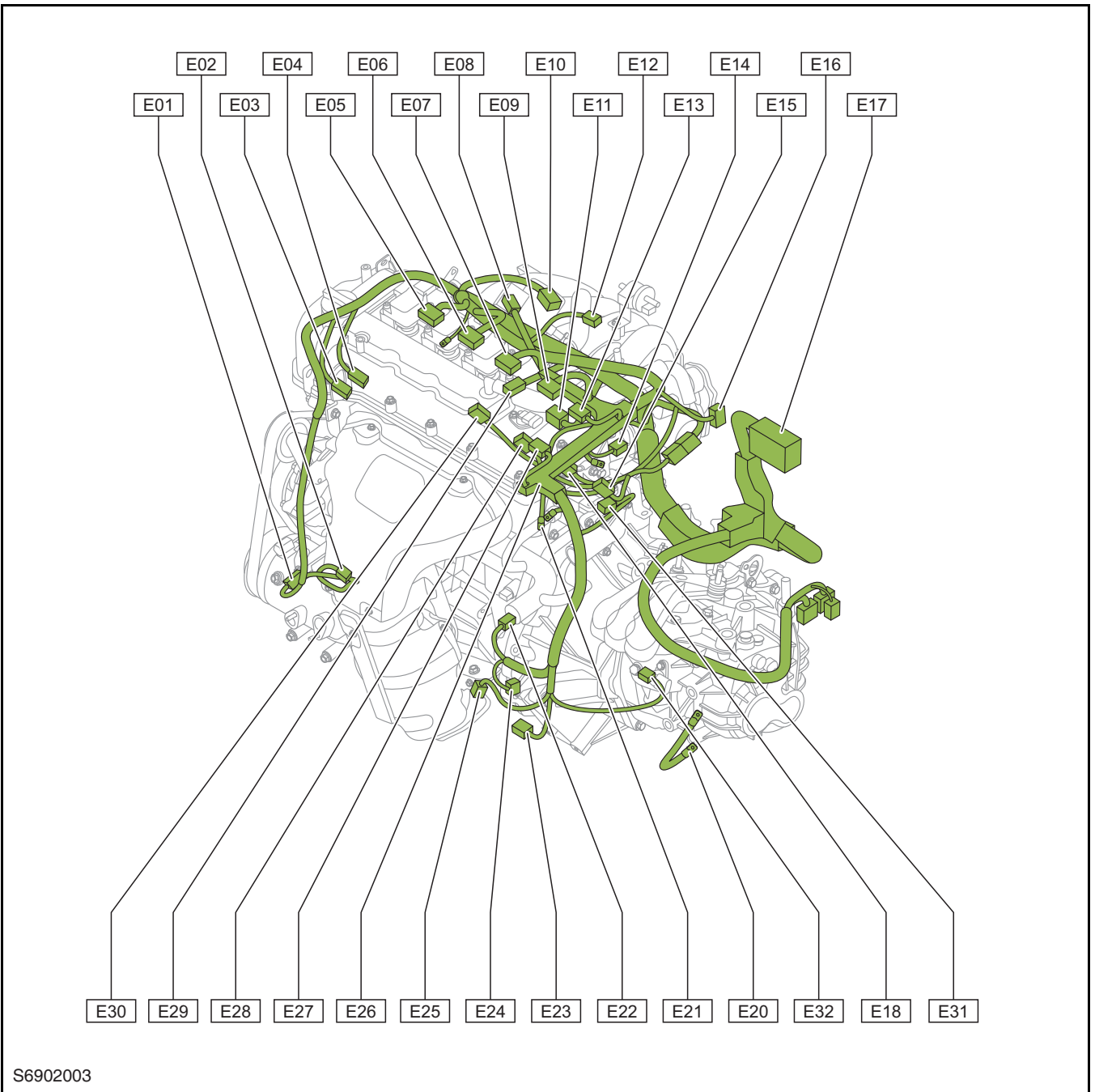
Engine Compartment Wiring Harness Connector (C) Definition List

Connector Name	Definition
Right Front Wheel Speed Sensor	C01
Body Stability Controller (ESP)	C02
Electronic Parking Brake Controller (EPBi)	C02a
Brake Vacuum Sensor	C03
ECU-A	C04
Accelerator Pedal Position Sensor	C05
Battery Negative	C06
Brake Fluid Level Sensor	C07
Brake Switch 2	C08
Clutch Stroke Sensor	C09
Wiper Motor	C10
Clutch Top Switch	C11
Clutch Lower Switch	C12
Engine Compartment CAN Breaker	C13
Left Front Wheel Speed Sensor	C14
Left Front Fog Lamp	C15
Engine Compartment Fuse Box	C16
Left Front Combination Lamp	C17
Electric Horn 2	C18
Left Front Collision Sensor	C19
Engine Compartment Sub Fuse Box	C20
Outside Temperature Sensor	C21
Cooling Fan	C22
Self-adaptive Cruise Controller	C23
Battery Positive	C24
Right Front Collision Sensor	C25
Right Front Combination Lamp	C26
3-State Pressure Switch	C27
Electric Horn 1	C28
Rear Washer Motor	C29
Front Washer Motor	C30
Right Front Fog Lamp	C31
Starting Motor Power Supply	C32
Alternator Power Supply	C33

Engine Wiring Harness Connector (E--)



S6902002

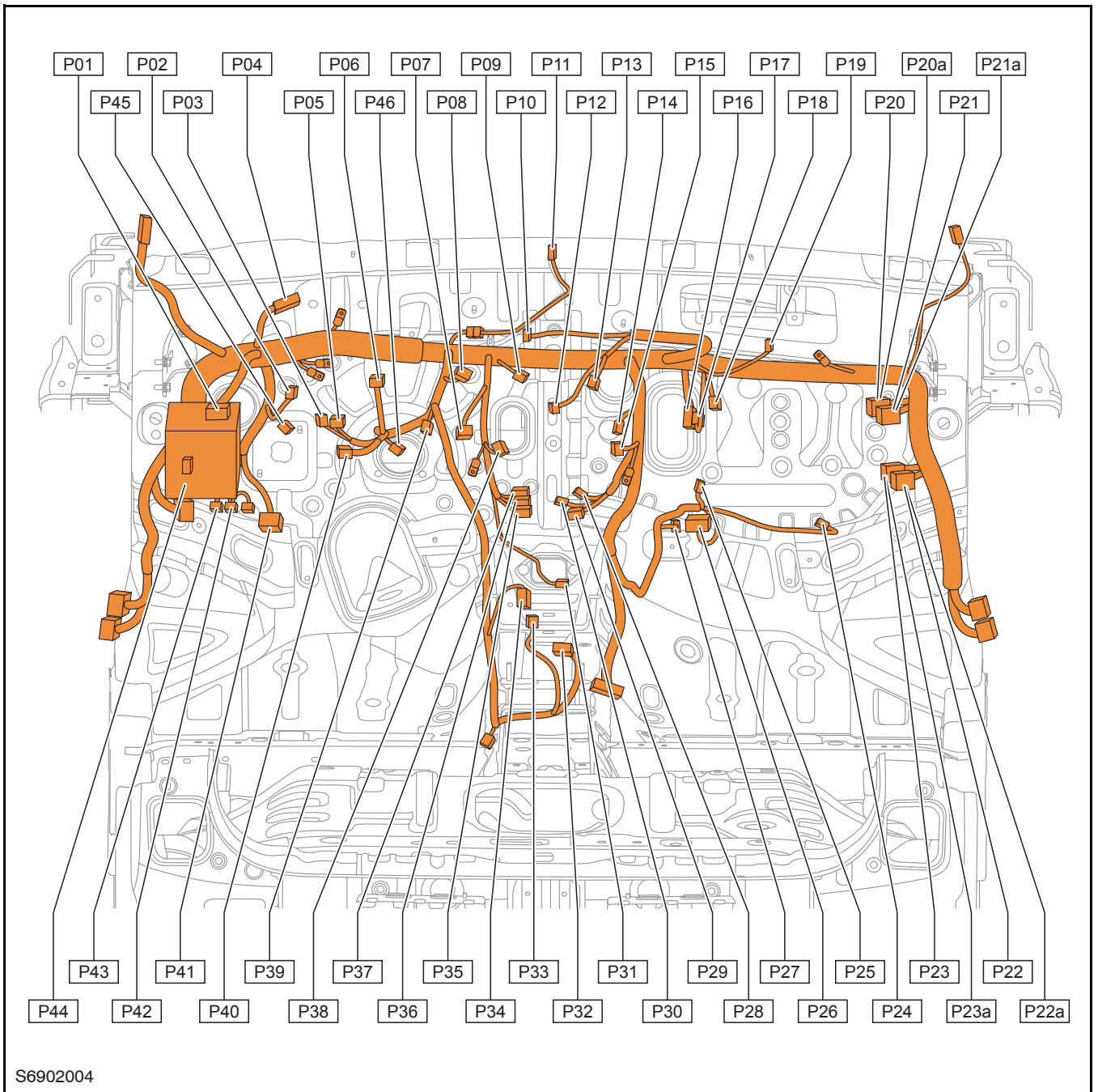


S6902003

Engine Wiring Harness Connector (E) Definition List

Connector Name	Definition
Compressor	E01
Variable Oil Pump	E02
OCV Exhaust Valve	E03
OCV Intake Valve	E04
Ignition Coil 1	E05
Ignition Coil 2	E06
Ignition Coil 3	E07
High Pressure Oil Pump	E08
Ignition Coil 4	E09
Air Intake Temperature/Pressure Sensor	E10
Fuel Pressure Sensor	E11
Canister Control Valve	E12
Intake Camshaft Phase Sensor	E13
Coolant Temperature Sensor	E14
Fuel Injector 4	E15
Electronic Throttle Valve	E16
ECU-B	E17
Fuel Injector 3	E18
TCU (AT)	E19
Transmission Grounding	E20
Starting Motor	E21
Oil Pressure Warning Switch	E22
Rear Oxygen Sensor	E23
Crankshaft Position Sensor	E24
Front Oxygen Sensor	E25
Knock Sensor	E26
Exhaust Camshaft Phase Sensor	E27
Fuel Injector 2	E28
Alternator	E29
Fuel Injector 1	E30
Backup Lamp Switch (MT)	E31
Neutral Sensor (MT)	E32

Instrument Panel Wiring Harness Connector (P--)

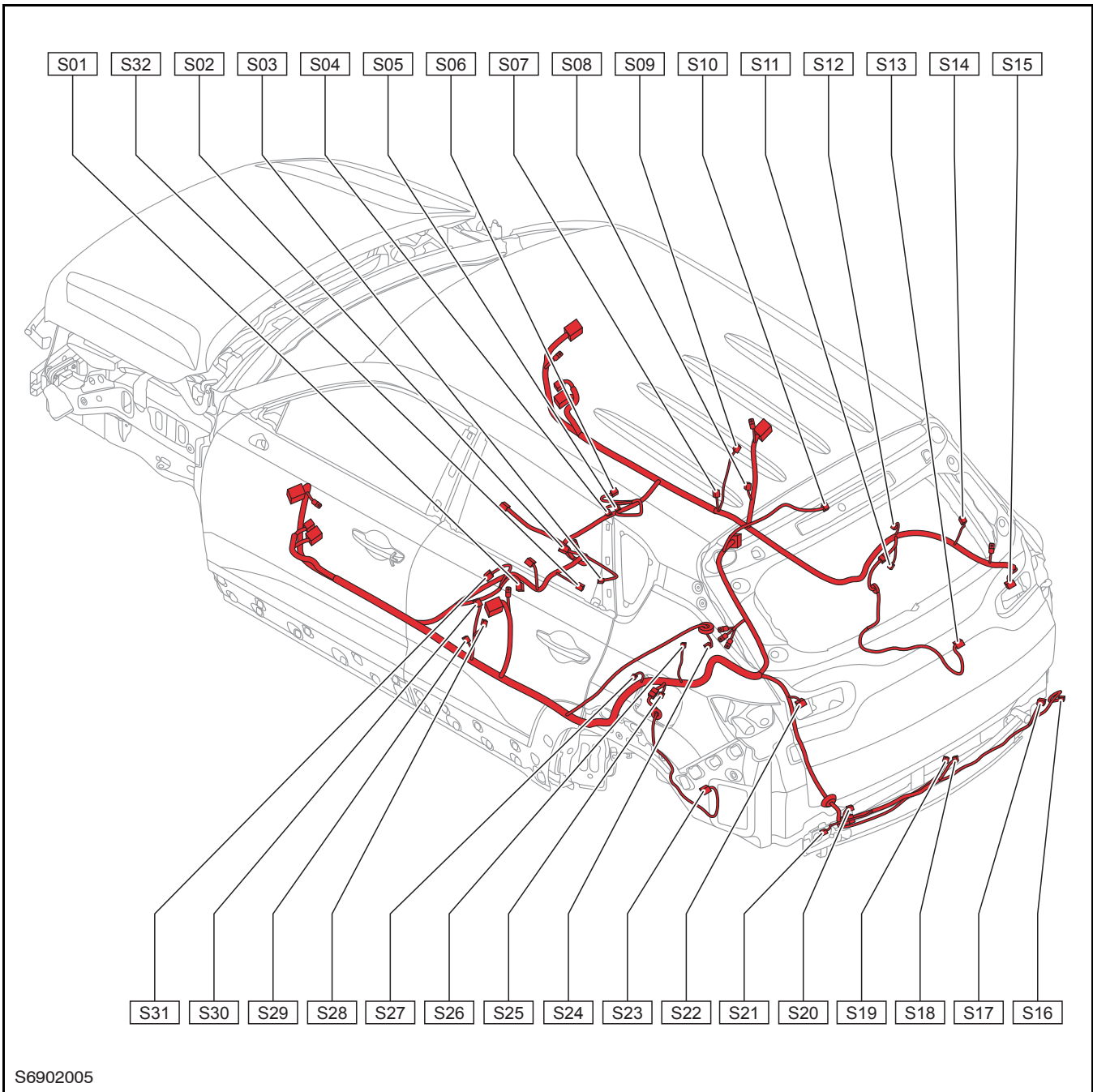


Instrument Panel Wiring Harness Connector (P) Definition List

Connector Name	Definition
Instrument Panel Switch Box	P01
Combination Switch - Lamp	P02
Rotary Connector - Multi-functional Switch	P03
Instrument Cluster	P04
Rotary Connector - Airbag	P05
Combination Switch - Wiper	P06
PCAN Short Circuiter	P07
Start Switch	P08
Antenna Power Supply	P09
Front Display	P10
Sunlight Sensor	P11
Emergency Alarm Switch	P12
Radio/DVD	P13
BCAN Short Circuiter	P14
Electronically Controlled A/C Controller	P15
Gateway	P16
Mode Actuator	P17
Inner and Outer Actuator	P18
Front Passenger Airbag	P19
IBCM-D	P20
BCM-D	P20a
IBCM-A	P21
BCM-A	P21a
IBCM-B	P22
BCM-B	P22a
IBCM-C	P23
BCM-C	P23a
Blower	P24
Speed Regulation Module	P25
Temperature Actuator	P26
Evaporator Temperature Sensor	P27
Entertainment and Audio Head Unit 10 Inch Screen Interface	P28
Entertainment and Audio Head Unit-D	P29
Drive Recorder Instrument Side	P30
Power Outlet	P31
Shift Controller	P32
AUTOHOLD and EPB Switch	P33
Front Antenna	P34

Connector Name	Definition
Entertainment and Audio Head Unit-A	P35
Entertainment and Audio Head Unit-B	P36
Entertainment and Audio Head Unit-C	P37
Electric A/C Controller	P38
Room Temperature Sensor	P39
Electronic Steering Lock Controller	P40
Data Link Connector	P41
EPS Power Supply	P42
EPS Signal	P43
Instrument Panel Fuse Box	P44
Ignition Switch	P45
Key Reminder Switch	P46

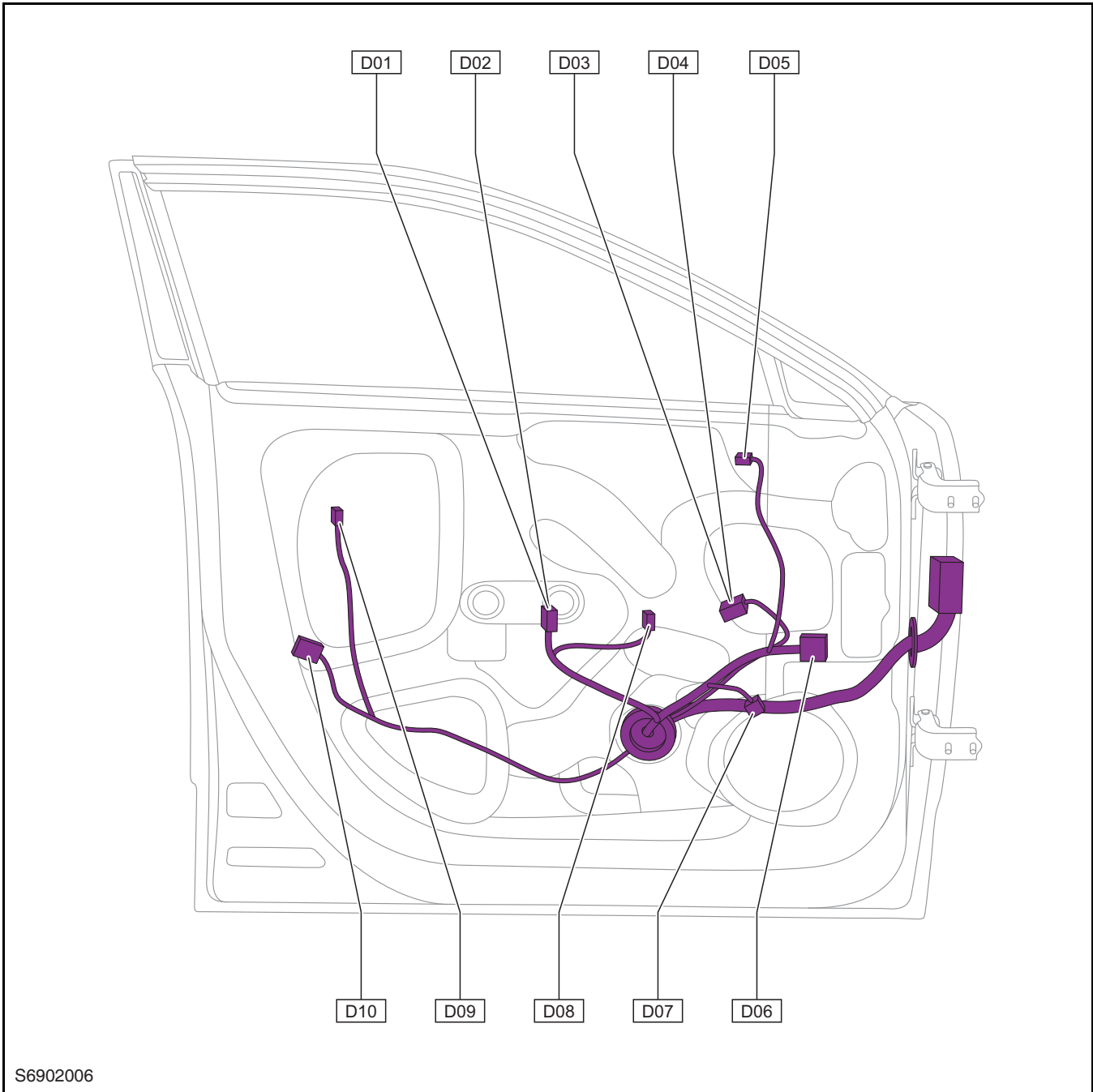
Chassis Wiring Harness Connector (S--)



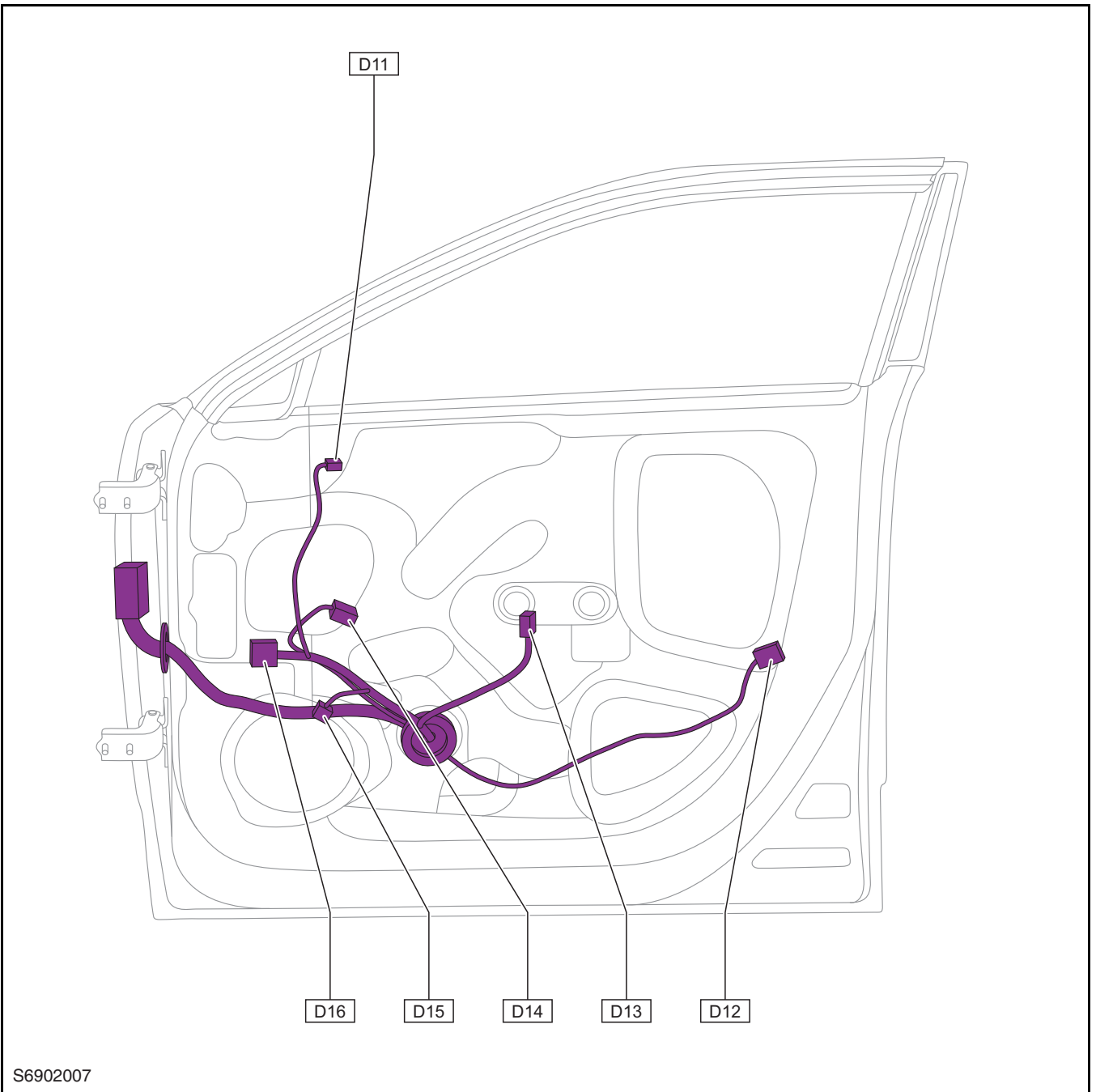
Chassis Wiring Harness Connector (S) Definition List

Connector Name	Definition
Driver Seat Belt Switch	S01
Airbag Controller	S02
Backup Power Supply	S03
Front Passenger Seat Sensor	S04
Front Passenger Seat Belt Switch	S05
Front Passenger Side Airbag	S06
Front Passenger Side Collision Sensor	S07
Front Passenger Seat Belt Retractor	S08
Right Front Door Contact Switch	S09
Radio Frequency Receiver	S10
Right Rear Wheel Speed Sensor	S11
Right Rear Door Contact Switch	S12
Right Side EPB Motor	S13
Luggage Compartment Lamp	S14
Right Tail Lamp - A	S15
Right Rear Fog Lamp	S16
Reversing Radar Sensor 3	S17
Reversing Radar Sensor 2	S18
Inside Rear Antenna	S19
Reversing Radar Sensor 1	S20
Left Rear Fog Lamp	S21
Left Tail Lamp - A	S22
Left Side EPB Motor	S23
Fuel Pump	S24
Left Rear Wheel Speed Sensor	S25
Rear Seat Belt Retractor	S26
Left Rear Door Contact Switch	S27
Driver Seat Belt Retractor	S28
Driver Side Collision Sensor	S29
Left Front Door Contact Switch	S30
Driver Side Airbag	S31
Parking Brake Switch	S32

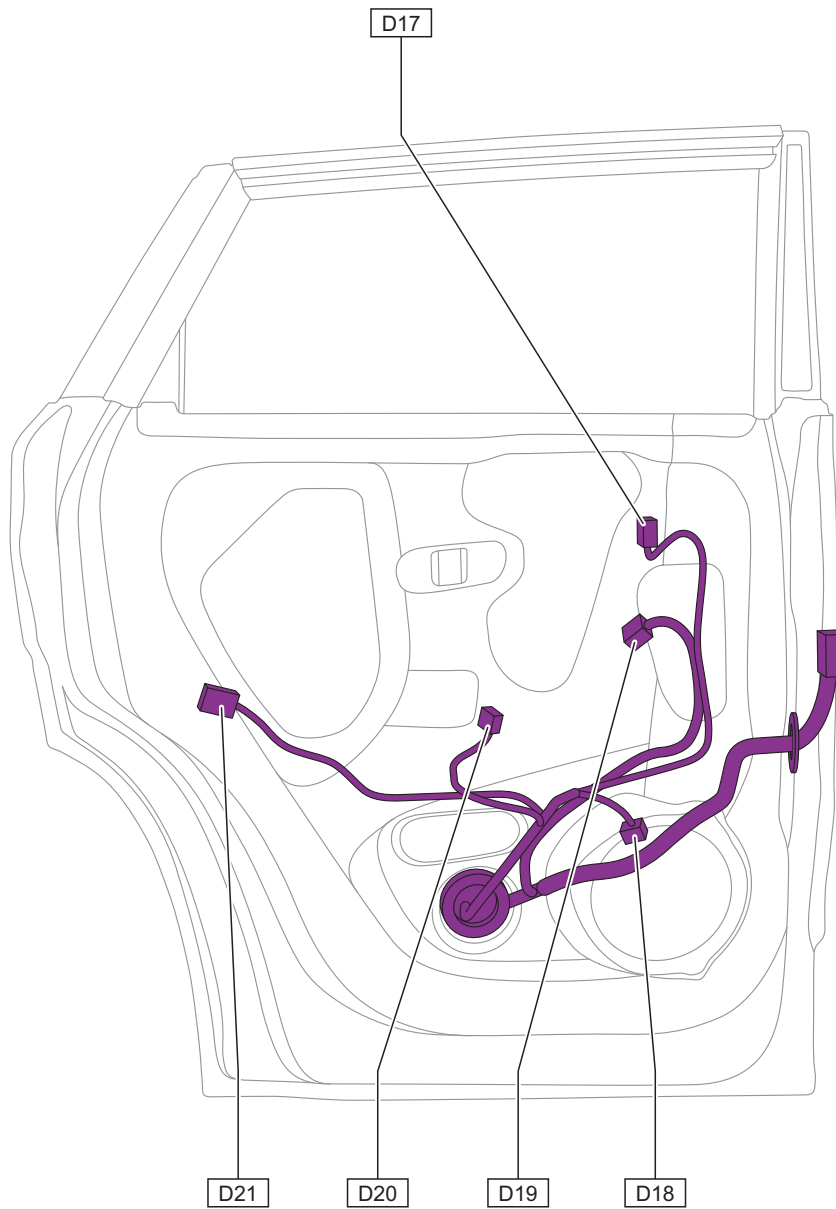
Door Wiring Harness Connector (D--)



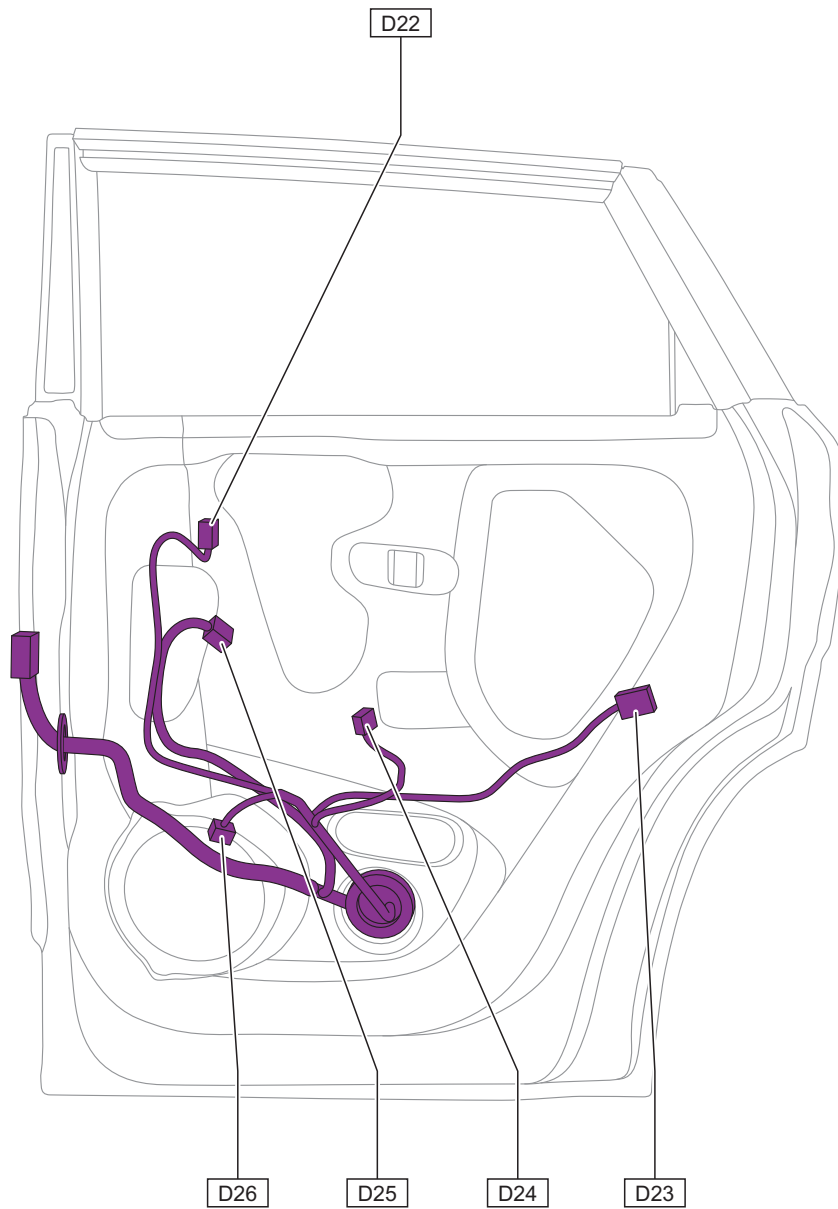
S6902006



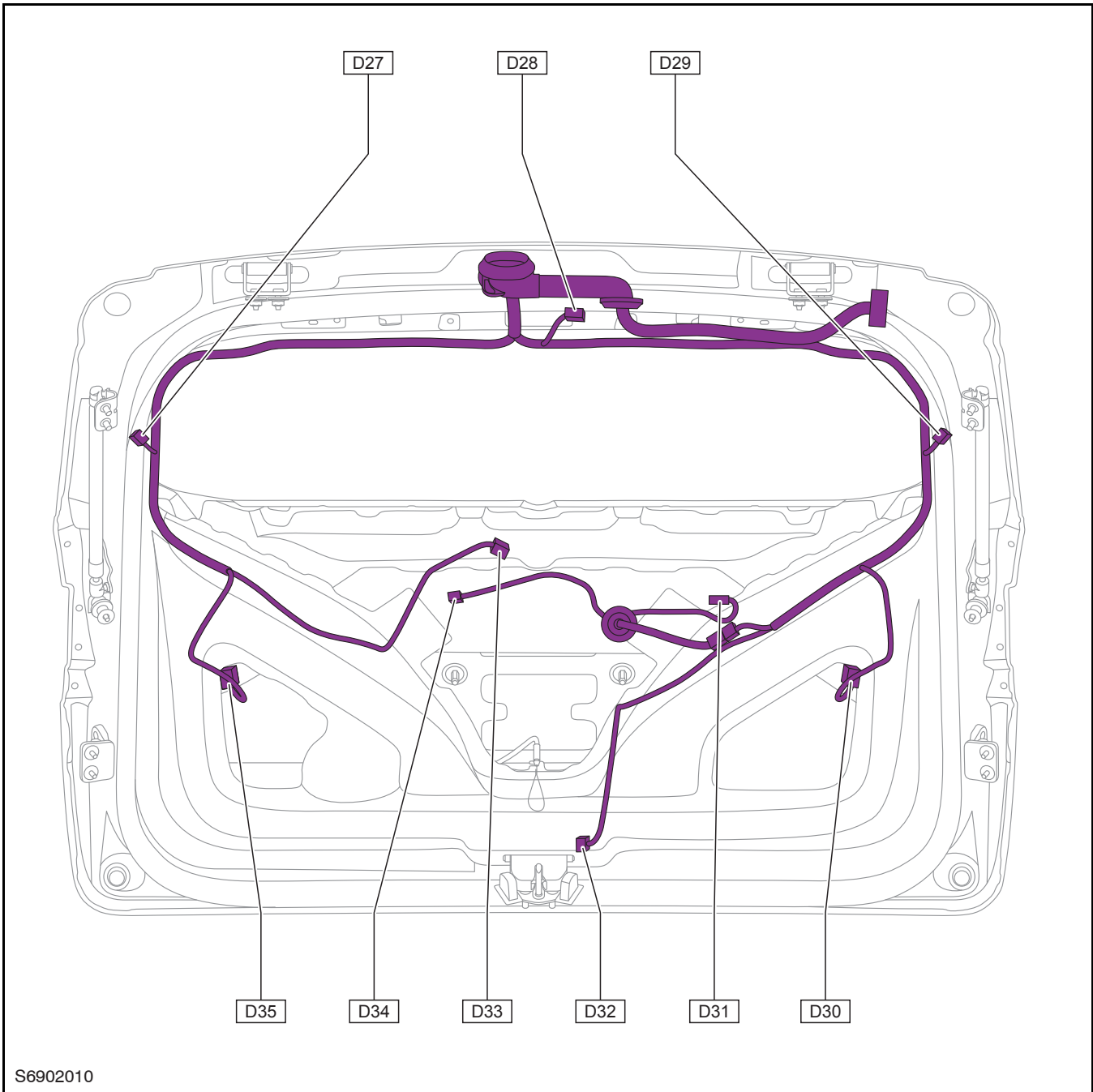
S6902007



S6902008



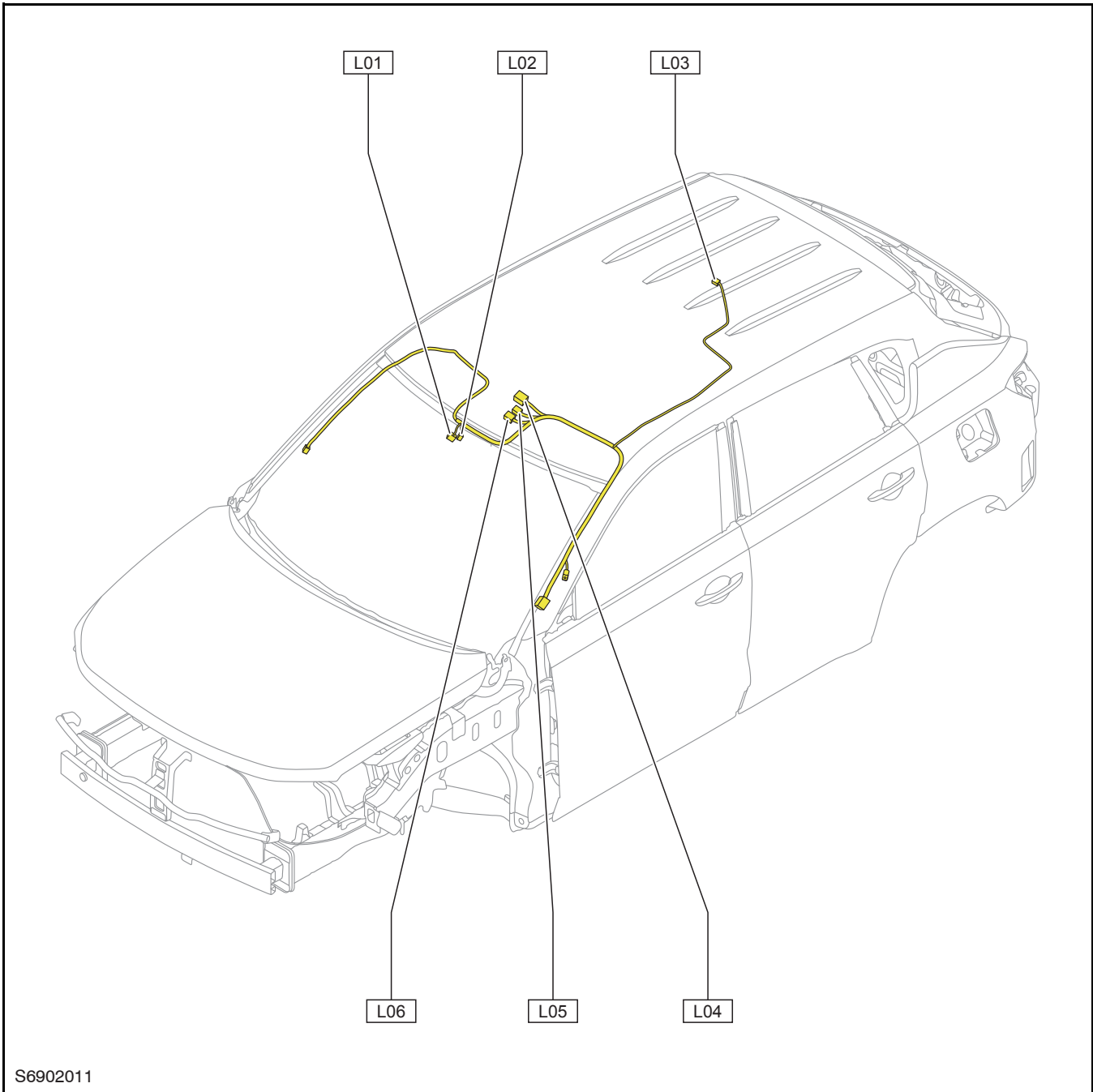
S6902009



Door Wiring Harness Connector (D) Definition List

Connector Name	Definition
Left Front Door Window Switch (Anti-Pinch)	D01
Left Front Door Window Switch-A (Non Anti-Pinch)	D02
Left Front Door Window Motor (Anti-Pinch)	D03
Left Front Door Window Motor (Non Anti-Pinch)	D04
Left Front Door High Pitched Horn	D05
Left Front Door Outside Rearview Mirror	D06
Left Front Door Low Pitched Horn	D07
Left Front Door Window Switch-B (Non Anti-Pinch)	D08
Left Front Door Handle Antenna	D09
Left Front Door Lock Motor	D10
Right Front Door High Pitched Horn	D11
Right Front Door Lock Motor	D12
Right Front Door Window Switch	D13
Right Front Door Window Motor	D14
Right Front Door Low Pitched Horn	D15
Right Front Door Outside Rearview Mirror	D16
Left Side Antenna	D17
Left Rear Door Speaker	D18
Left Rear Door Window Motor	D19
Left Rear Door Window Switch	D20
Left Rear Door Lock Motor	D21
Right Side Antenna	D22
Right Rear Door Lock Motor	D23
Right Rear Door Window Switch	D24
Right Rear Door Window Motor	D25
Right Rear Door Speaker	D26
Rear Defroster Power Supply	D27
High Mounted Brake Lamp	D28
Rear Defroster Grounding	D29
Left Tail Lamp - B	D30
Rear View Camera	D31
Luggage Compartment Lock Motor	D32
Rear Wiper Motor	D33
Left License Plate Lamp	D34
Right Tail Lamp - B	D35

Roof Wiring Harness Connector (L--)

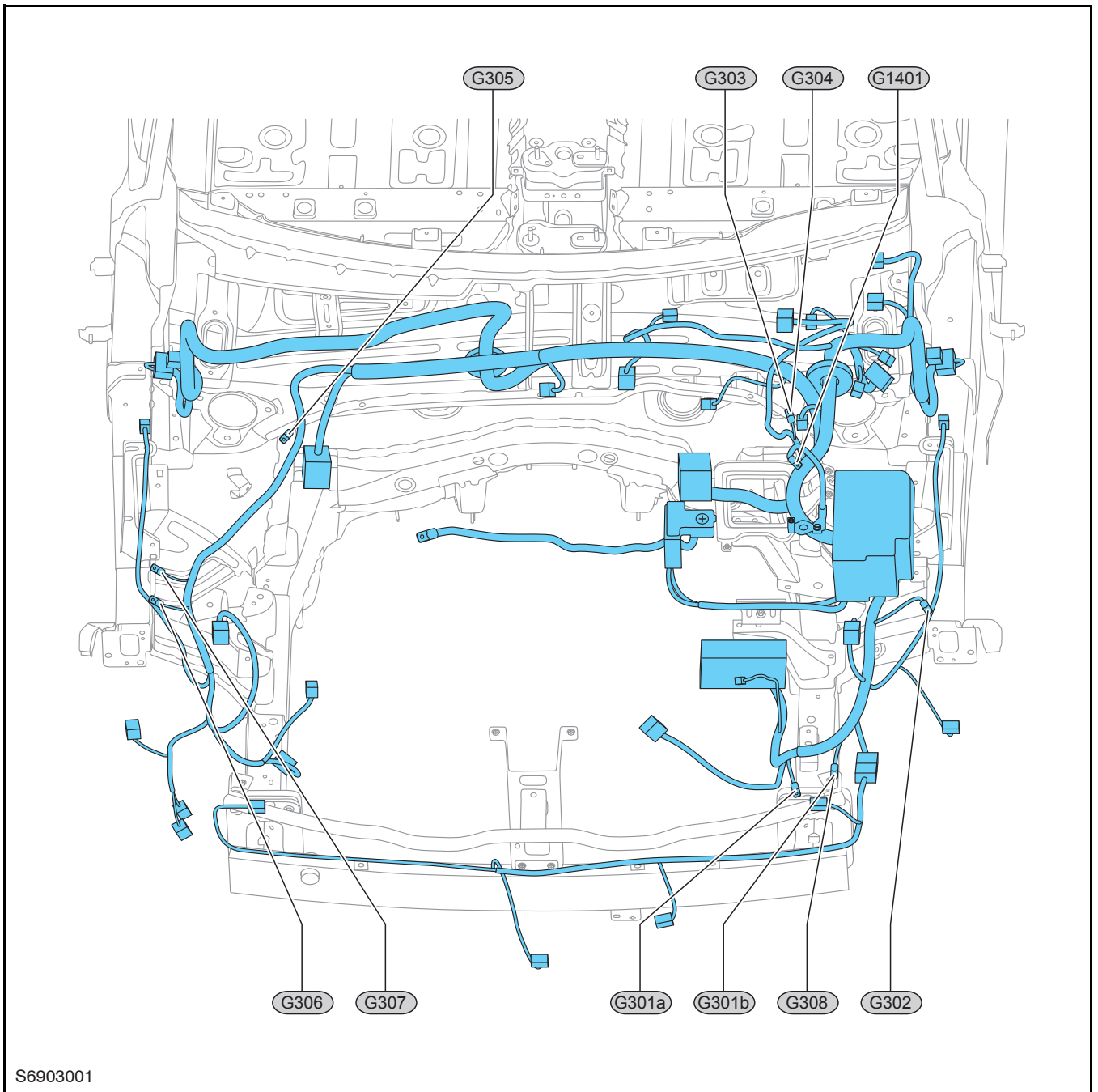


S6902011

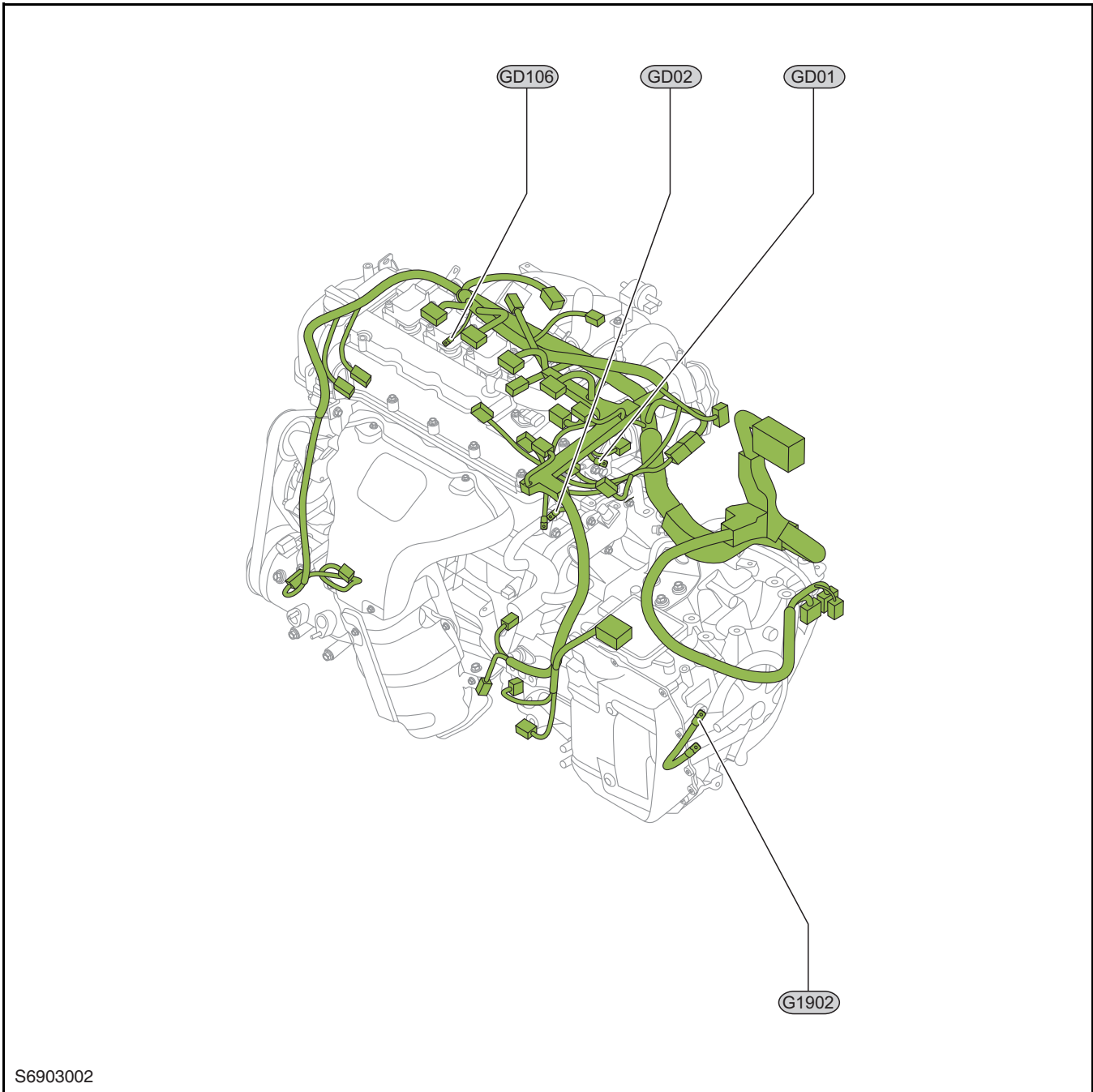
Roof Wiring Harness Connector (L) Definition List

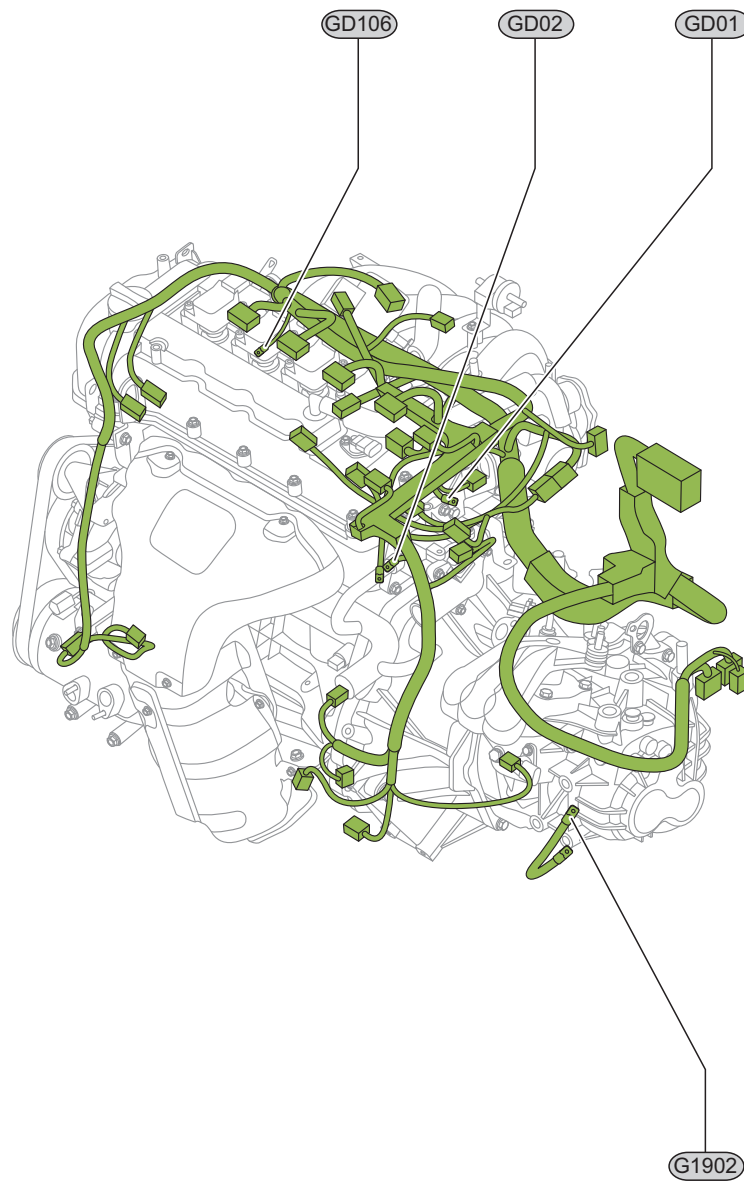
Connector Name	Definition
Drive Recorder	L01
Drive Recorder Roof Side	L02
Rear Dome Lamp	L03
Sunroof Controller	L04
Microphone	L05
Front Dome Lamp	L06

G301a G301b G302 G303 G304 G305 G306 G307 G308 G1401



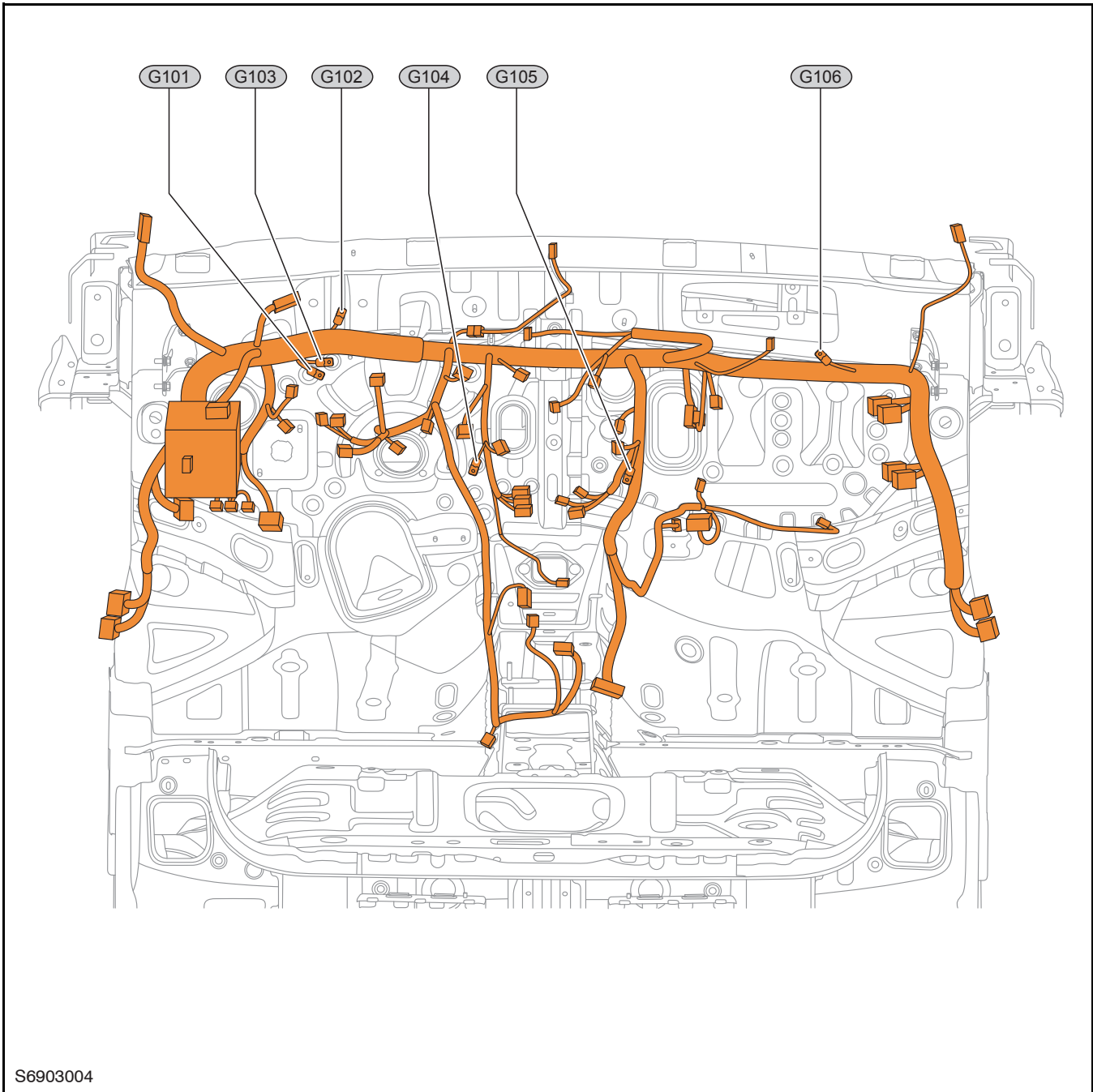
GD01 GD02 GD106 G1902





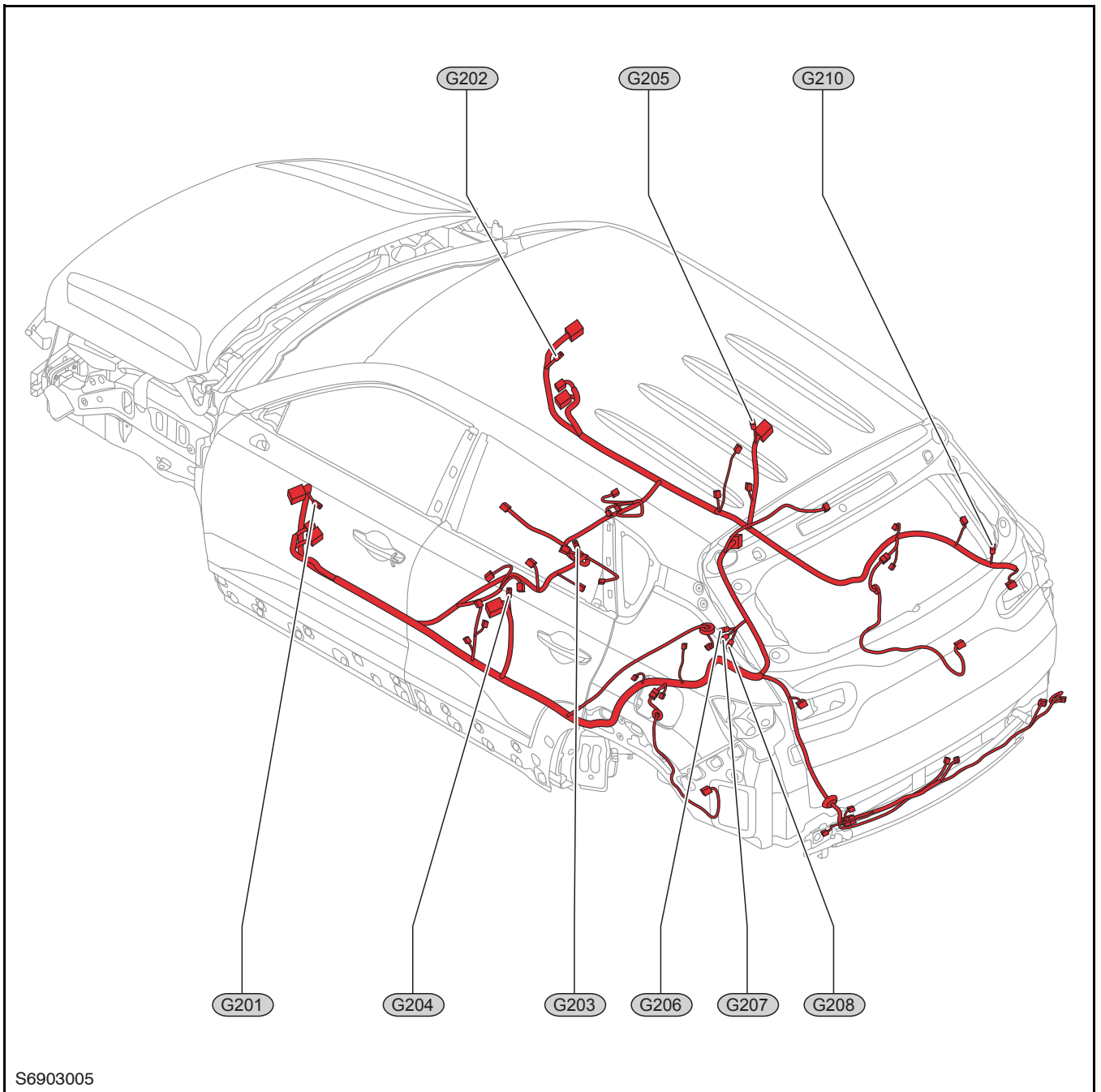
S6903003

G101 G102 G103 G104 G105 G106

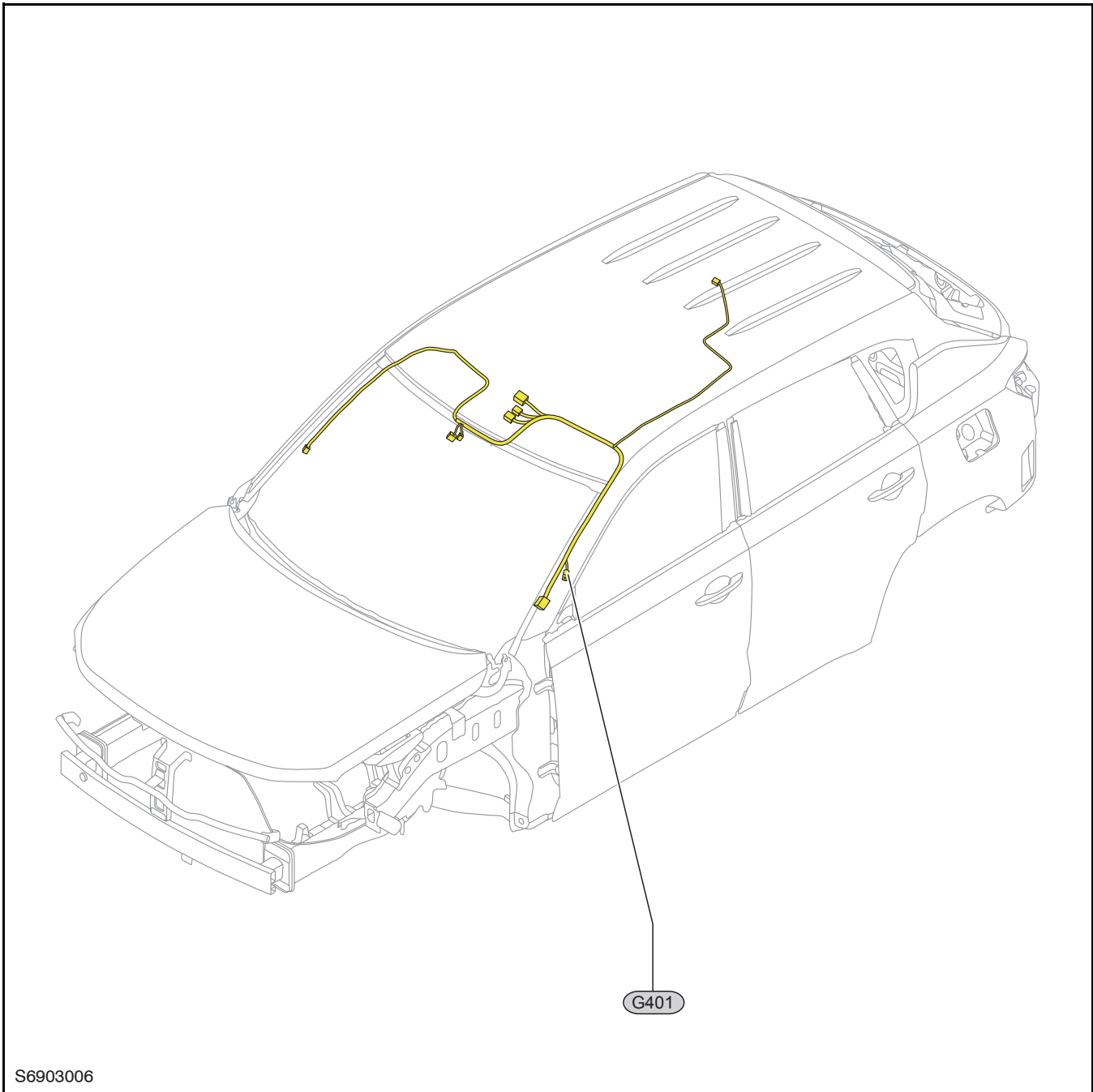


S6903004

G201 G202 G203 G204 G205 G206 G207 G208 G210

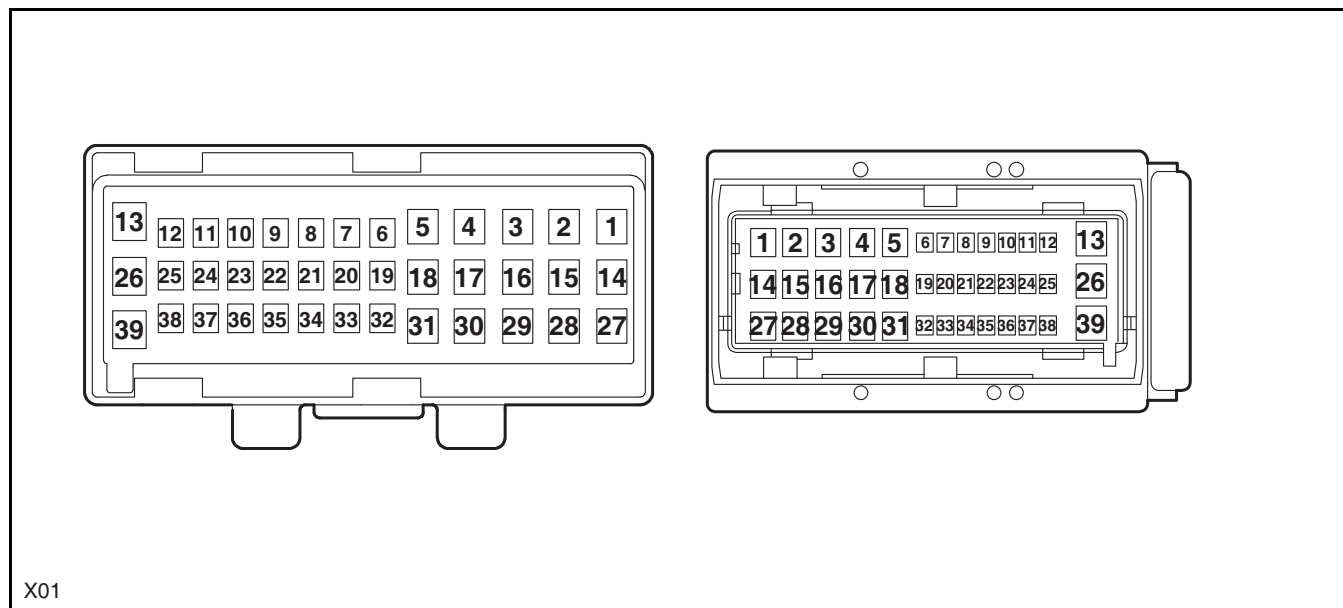


G401



S6903006

Wiring Harness to Wiring Harness Connector (X--)

Engine Compartment Wiring Harness to Instrument
Panel Wiring Harness EInstrument Panel Wiring Harness to Engine Compartment
Wiring Harness E

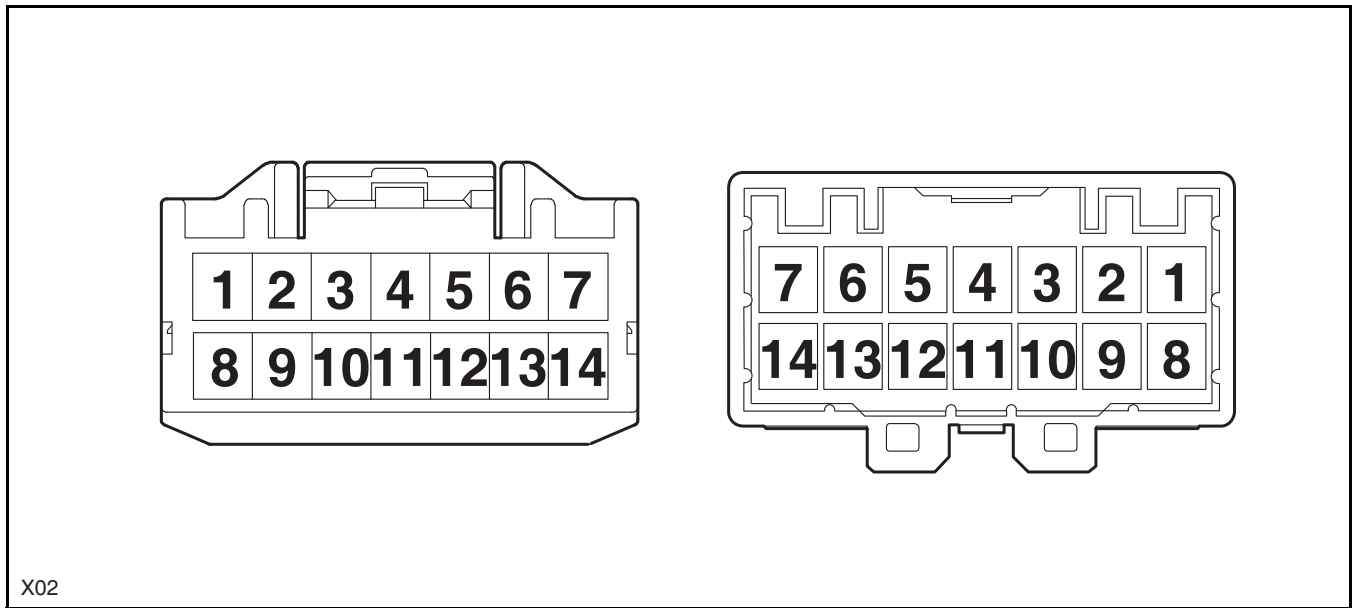
X01 Wiring Harness Connector Pin Definition

Pin No.	Wire Diameter/Color	Function
1	-	-
2	1.25 BU/RD	Front Wiper High Speed Output
3	1.25 VT/WH	Front Wiper Low Speed Output
4	0.5 BU/RD	Rear Washer Switch
5	0.5 YE/BN	Front Washer Switch
6	0.3 GN/YE	P/N Position Signal
7	0.3 BU/RD	ACC Relay Control
8	0.3 OG/WH	IG1 Relay Control
9	0.3 BU/YE	Rear Wiper Relay Control
10	-	-
11	0.3 GN/BU	Air Conditioning System Operating Condition
12	0.3 GN/RD	IG2 Relay Control
13	3.0 RD	Blower Power Supply
14	0.5 RD/GN	Left Front Fog Lamp Power Supply
15	0.5 BU	Right Front Fog Lamp Power Supply
16	0.5 RD/YE	Right Front Position Lamp Power Supply
17	0.3 WH/BK	EPB_SW3
18	0.3 PK/BU	EPB_SW6
19	0.3 OG	ESP Switch
20	0.3 OG/BU	Front Turn Lamp Feedback

Pin No.	Wire Diameter/Color	Function
21	0.5 BU/WH	Wiper Reset
22	0.5 RD/BU	Left Front Turn Lamp Power Supply
23	0.5 RD/WH	Right Turn Lamp Power Supply
24	0.3 BK/PK	Rear Defroster Relay Control
25	0.3 BN/BK	Brake Switch Constant ON Signal
26	-	-
27	1.25 OG	Right Low Beam Lamp/Adjustment Motor Power Supply
28	0.3 YE/BK	EPB_SW1
29	-	-
30	-	-
31	0.3 YE/GN	EPB Operation Indicator
32	0.3 VT/YE	Vehicle Speed Signal
33	-	-
34	0.3 OG/GN	EPB_SW4
35	0.3 GN/WH	Front Wiper Relay 1 Control
36	0.3 BN/OG	Front Wiper Relay 2 Control
37	0.5 WH/VT	Left Front Daytime Running Lamp Power Supply
38	0.5 VT	Right Front Daytime Running Lamp Power Supply
39	-	-

Engine Compartment Wiring Harness to Chassis
Wiring Harness B

Chassis Wiring Harness to Engine Compartment
Wiring Harness B

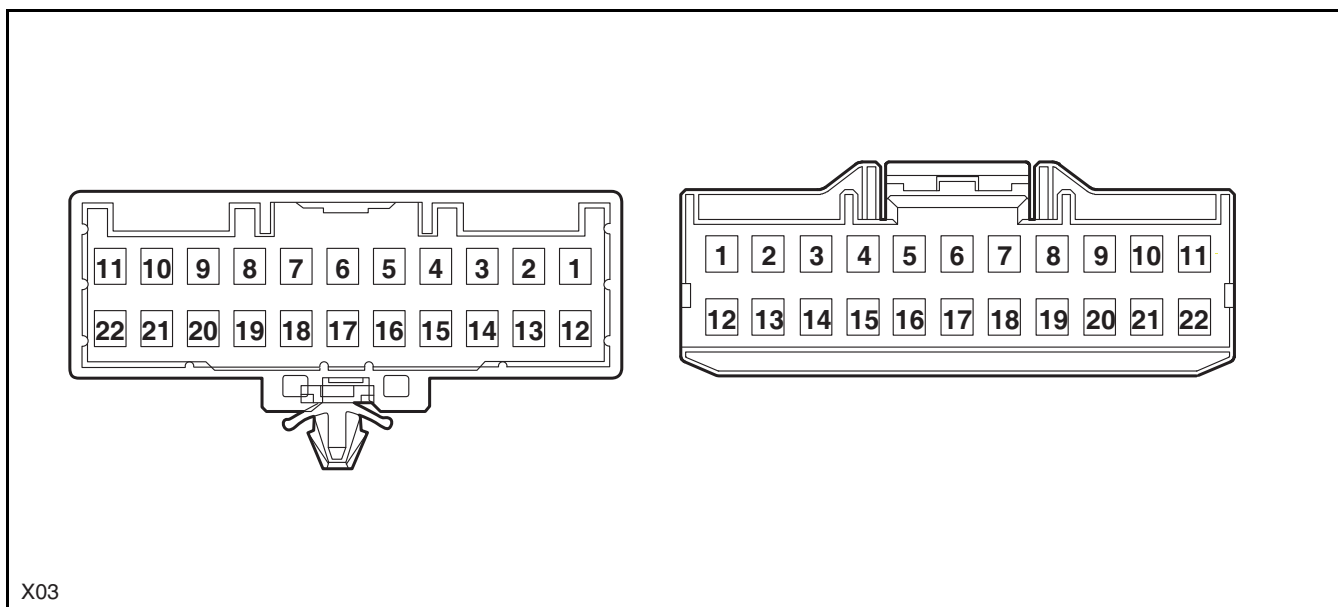


X02 Wiring Harness Connector Pin Definition

Pin No.	Wire Diameter/Color	Function
1	0.5 GY/BU	Right Front Collision Sensor Negative
2	0.5 GN/WH	Right Front Collision Sensor Positive
3	2.0 YE	Power Supply
4	2.5 PK	Right EPB Motor A
5	2.5 RD/BK	Right EPB Motor B
6	0.3 WH/BU	Left Rear Wheel Speed Sensor Power Supply
7	0.3 OG/BN	Left Rear Wheel Speed Sensor Signal
8	0.3 GN/BU	Right Rear Wheel Speed Sensor Power Supply
9	0.3 GN/YE	Right Rear Wheel Speed Sensor Signal
10	-	-
11	-	-
12	-	-
13	-	-
14	-	-

Engine Compartment Wiring Harness to Instrument
Panel Wiring Harness D

Instrument Panel Wiring Harness to Engine
Compartment Wiring Harness D

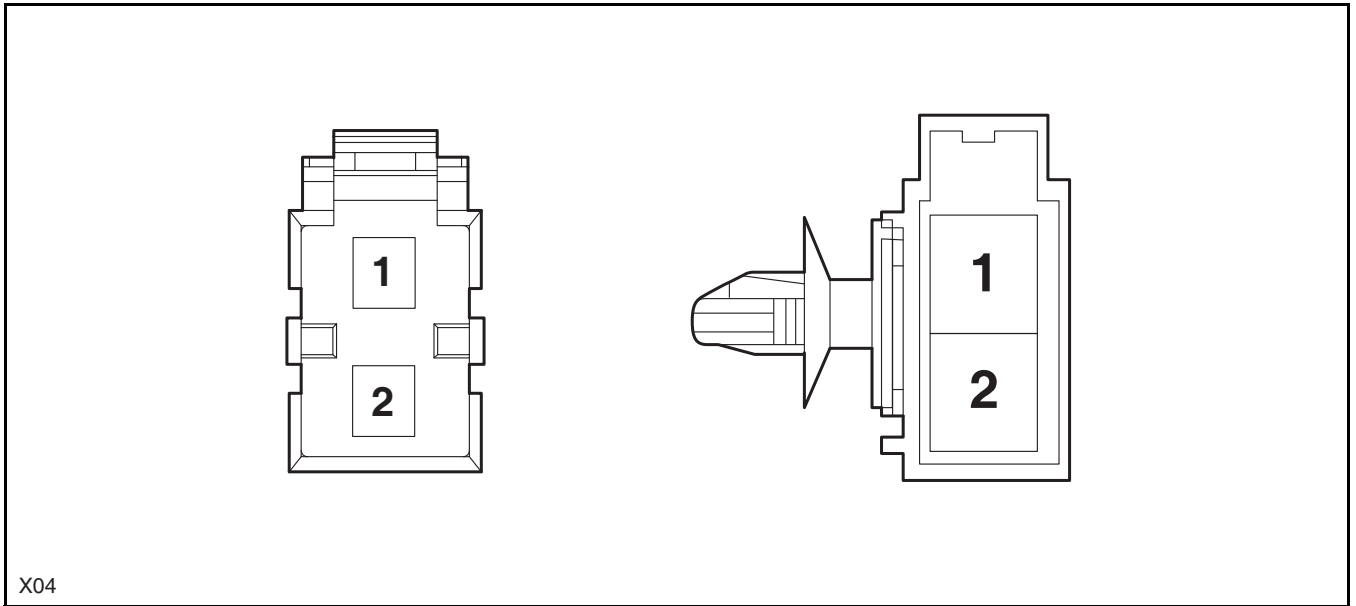


X03 Wiring Harness Connector Pin Definition

Pin No.	Wire Diameter/Color	Function
1	0.3 YE/BU	Manual Shift-up
2	0.3 BN/YE	Manual Shift-down
3	0.3 RD/BU	Sport Mode
4	0.3 GY/OG	HDC Switch
5	-	-
6	-	-
7	-	-
8	-	-
9	0.3 GN/RD	Clutch Lower Switch Signal
10	-	-
11	0.3 PK/BU	Left Daytime Running Lamp Relay Control
12	0.3 VT	Right Daytime Running Lamp Relay Control
13	0.3 WH/RD	Window Switch Relay Control
14	0.3 RD/BK	Position Lamp Relay Control
15	-	-
16	-	-
17	-	-
18	0.3 GN/WH	Low Beam Lamp Relay Control
19	-	-
20	-	-
21	-	-
22	-	-

Engine Compartment Wiring Harness to Instrument
Panel Wiring Harness B

Instrument Panel Wiring Harness to Engine
Compartment Wiring Harness B

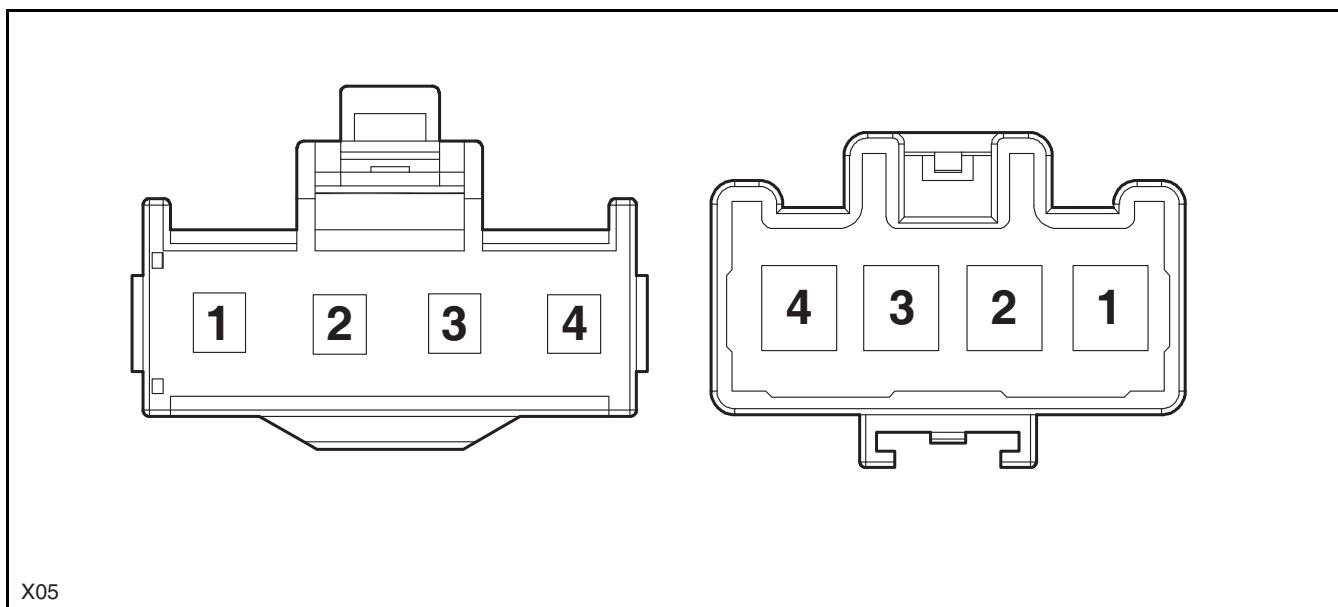


X04 Wiring Harness Connector Pin Definition

Pin No.	Wire Diameter/Color	Function
1	10.0 RD	EPS Power Supply
2	-	-

Engine Compartment Wiring Harness to Instrument
Panel Wiring Harness C

Instrument Panel Wiring Harness to Engine
Compartment Wiring Harness C

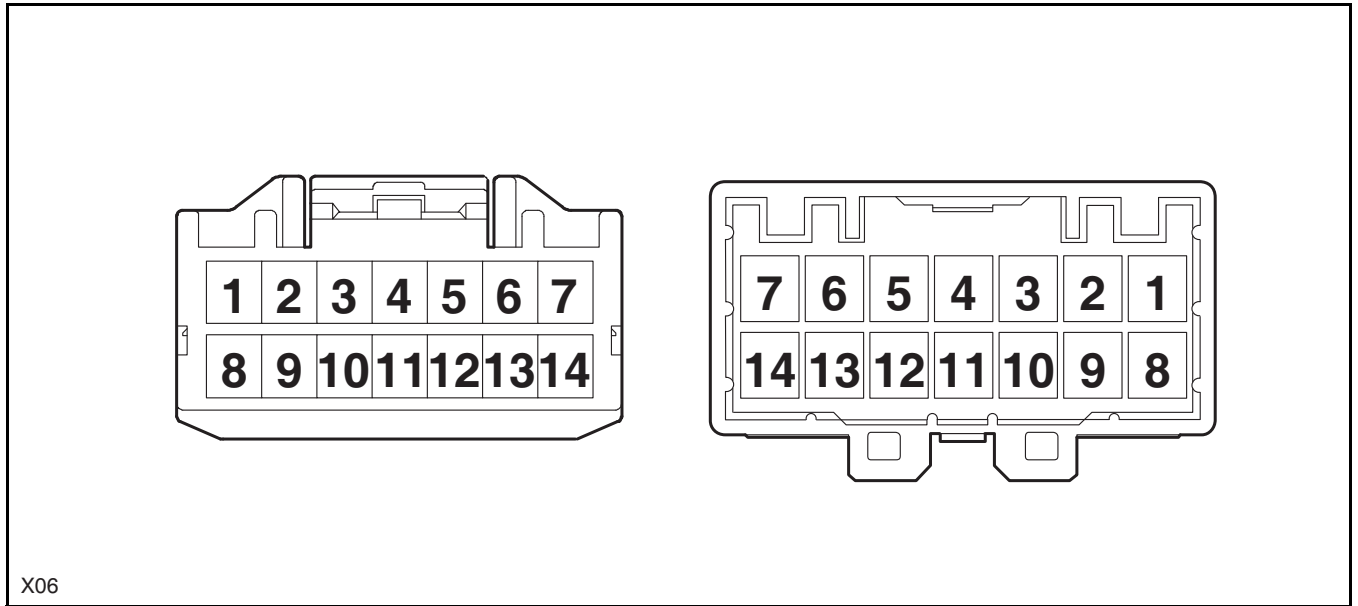


X05 Wiring Harness Connector Pin Definition

Pin No.	Wire Diameter/Color	Function
1	-	-
2	-	-
3	3.0 RD	Instrument Cluster Power Supply 2
4	5.0 YE	Instrument Cluster Power Supply 1

Engine Compartment Wiring Harness to Chassis
Wiring Harness A

Chassis Wiring Harness to Engine Compartment
Wiring Harness A

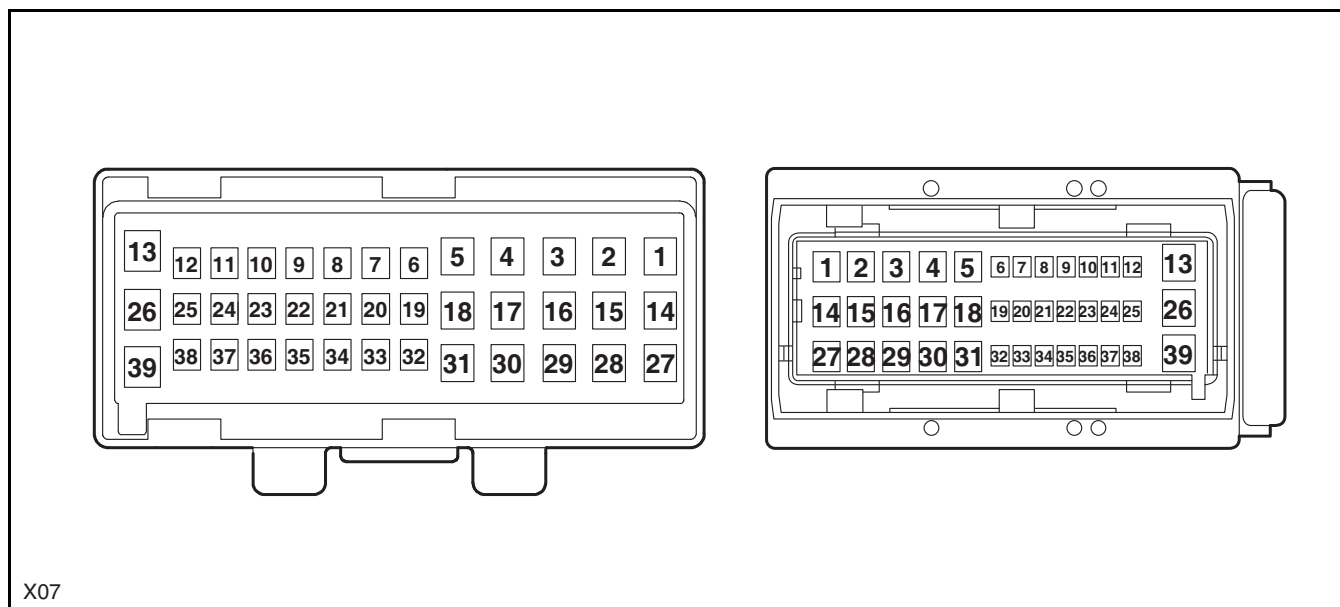


X06 Wiring Harness Connector Pin Definition

Pin No.	Wire Diameter/Color	Function
1	1.25 GN/BN	Fuel Pump Power Supply
2	1.25 YE/GN	Rear Wiper Operation Signal
3	0.3 GY	Window Switch Power Supply
4	2.0 BU/OG	Rear Defroster Power Supply
5	2.0 WH/BK	Power Supply
6	2.5 VT	Left EPB Motor A
7	2.5 BU/RD	Left EPB Motor B
8	-	-
9	0.5 GN/YE	Left Front Collision Sensor Positive
10	0.5 GY/YE	Left Front Collision Sensor Negative
11	-	-
12	-	-
13	-	-
14	-	-

Engine Compartment Wiring Harness to Instrument
Panel Wiring Harness A

Instrument Panel Wiring Harness to Engine
Compartment Wiring Harness A



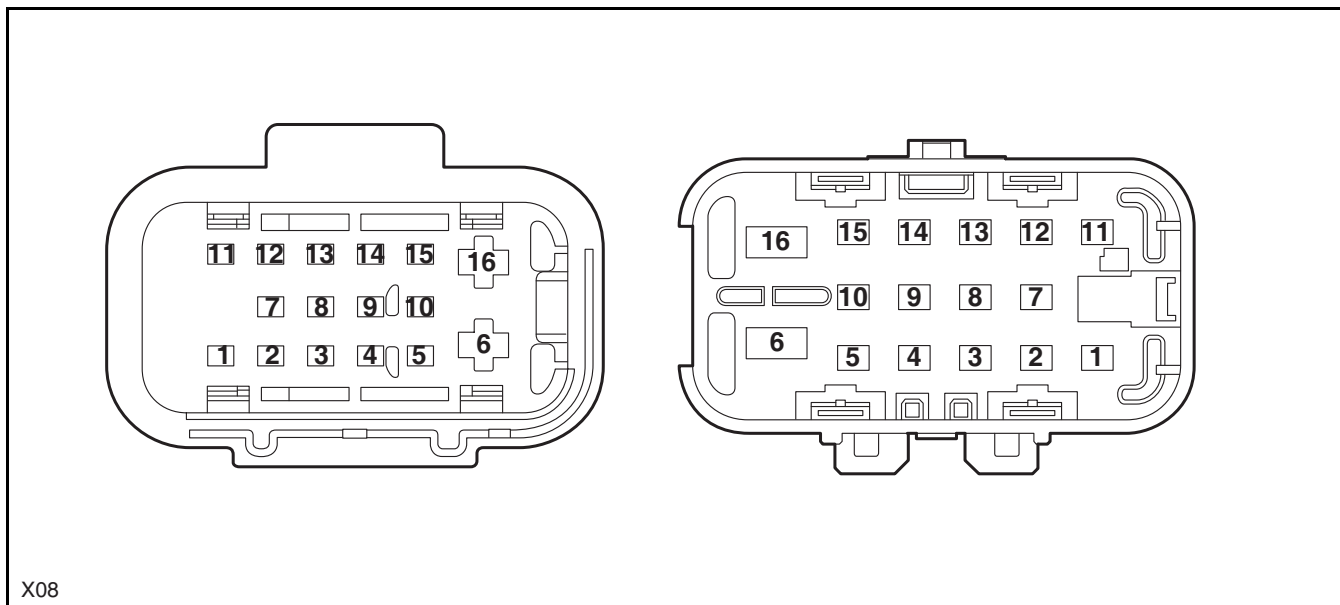
X07 Wiring Harness Connector Pin Definition

Pin No.	Wire Diameter/Color	Function
1	1.25 GN/BN	Fuel Pump Power Supply
2	-	-
3	0.5 OG/BK	Position Lamp Power Supply
4	1.25 RD/GN	IG2 Power Supply
5	-	-
6	0.3 PK	Power PCAN-H
7	0.3 LG	Power PCAN-L
8	-	-
9	-	-
10	0.5 BU/WH	IG1 Power Supply
11	0.3 VT/WH	Battery Indicator
12	-	-
13	-	-
14	1.25 GY/BU	Left Low Beam Lamp/Adjustment Motor Power Supply
15	0.3 WH - 0.3 WH/YE	Reverse Signal
16	0.5 BK/YE	Reversing Trigger Signal
17	-	-
18	0.3 BN/BK	Brake Switch Constant ON Output Signal
19	0.3 VT/GN	High Beam Lamp Relay Control
20	0.3 OG/BN	Blower Relay Control
21	0.3 BU/RD	Room Temperature Sensor Grounding
22	0.3 WH/RD	Outside Temperature Sensor Input

Pin No.	Wire Diameter/Color	Function
23	0.3 LG/RD	Back-up Lamp Relay Control
24	0.5 YE/BN	Oil Pressure Warning Signal
25	0.3 VT	Brake Fluid Level Signal
26	3.0 OG	IG1 Power Supply
27	-	-
28	0.5 RD/YE	Outside Rearview Mirror Heater Power Supply
29	-	-
30	-	-
31	1.25 BN/WH	IG2 Power Supply
32	-	-
33	0.3 GN/VT	Headlamp Adjustment Output
34	-	-
35	0.5 BK/YE	Horn Relay Control
36	0.5 BN/BK	Brake Switch Constant ON Signal
37	0.3 WH/GN	Cruise Switch Output
38	0.3 WH/YE	Cruise Switch Input
39	3.0 BU	ACC Power Supply

Engine Compartment Wiring Harness to Front End
Module Wiring Harness

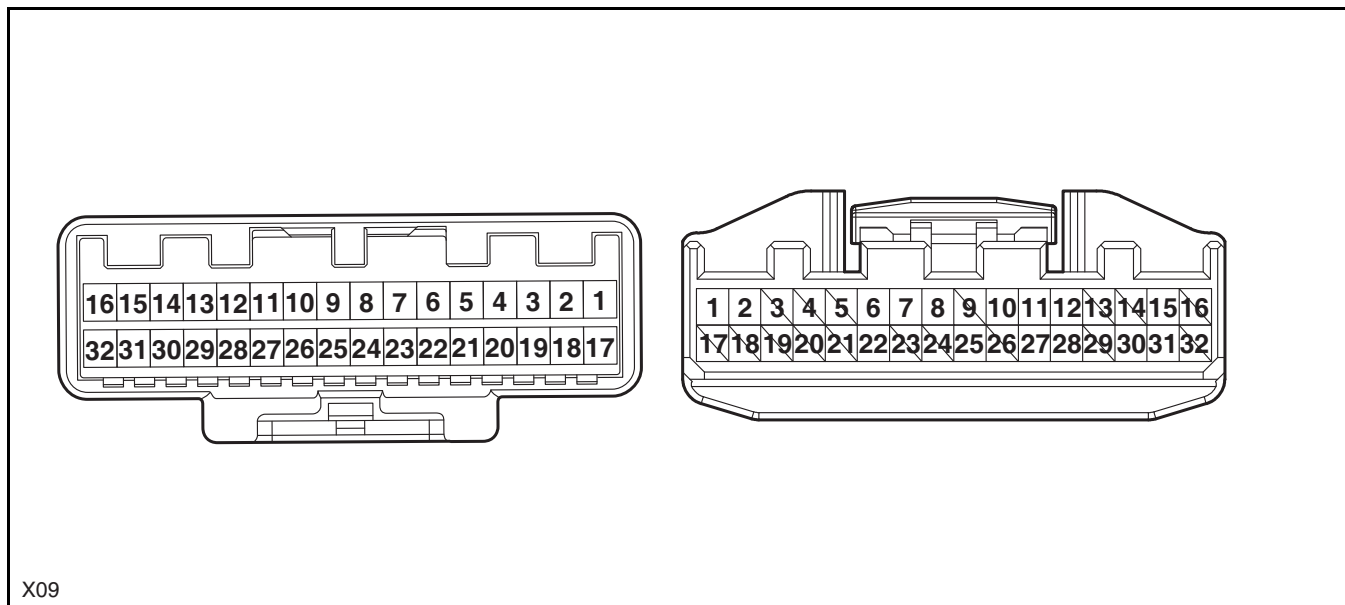
Front End Module Wiring Harness to Engine
Compartment Wiring Harness



X08

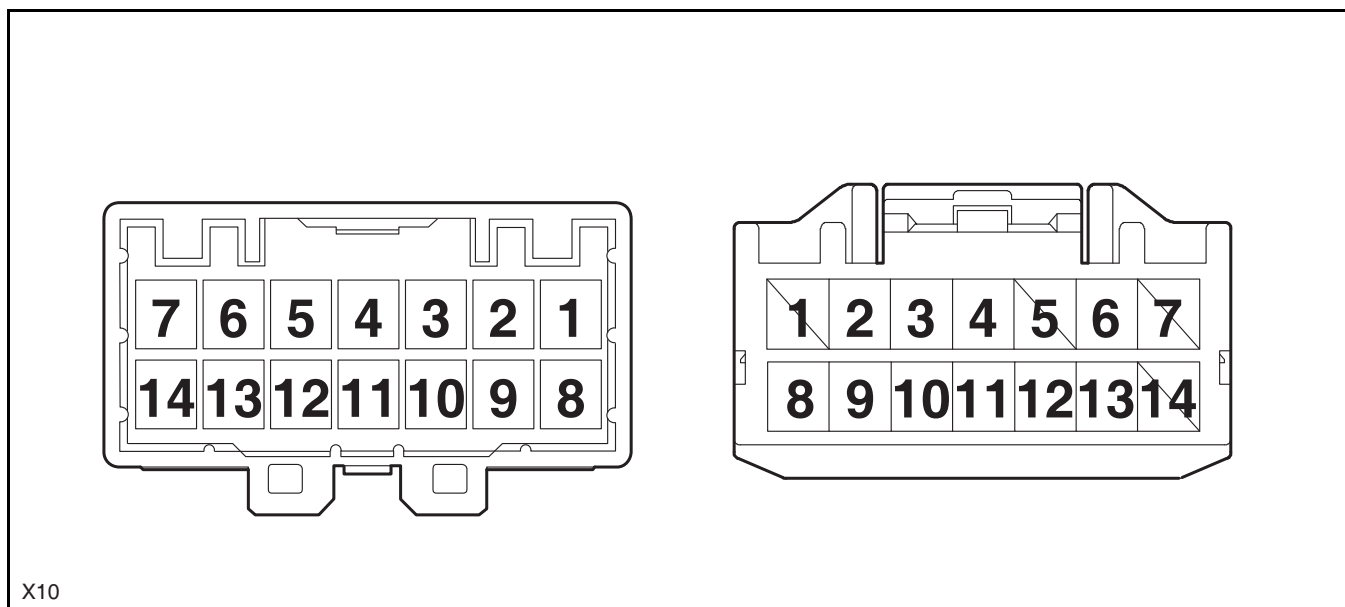
X08 Wiring Harness Connector Pin Definition

Pin No.	Wire Diameter/Color	Function
1	-	-
2	-	-
3	-	-
4	-	-
5	-	-
6	0.75 BN/WH	Horn Power Supply
7	0.3 BU/RD	Room Temperature Sensor Grounding
8	0.3 WH/RD	Outside Temperature Sensor Input
9	0.5 OG/WH	IG1 Power Supply
10	0.3 PK	Power PCAN-H
11	0.3 LG	Power PCAN-L
12	0.5 BK	Grounding
13	-	-
14	-	-
15	-	-
16	0.75 BK	Grounding

Engine Compartment Wiring Harness to Engine Wiring
Harness AEngine Wiring Harness to Engine Compartment Wiring
Harness A**X09 Wiring Harness Connector Pin Definition**

Pin No.	Wire Diameter/Color	Function
1	0.3 VT/WH	Battery Indicator
2	0.5 BK	Grounding
3	-	-
4	-	-
5	-	-
6	0.5 GN/WH	Neutral Signal
7	0.5 GN/VT	Neutral Signal
8	-	-
9	0.5 YE/GN	Reverse Signal
10	0.5 BN	Variable Oil Pump Control Signal
11	0.5 BU/PK	Neutral Sensor Power Supply
12	0.3 WH - 0.5 BK/GN	Reverse Signal
13	-	-
14	-	-
15	0.5 YE/BN	Oil Pressure Warning Signal
16	0.3 PK	Power PCAN-H
17	0.5 BU	Manual Shift-down
18	0.5 VT/WH	Manual Shift-up
19	0.5 BN/YE	P/N Position Signal
20	-	-
21	0.5 WH	Sport Mode
22	-	-

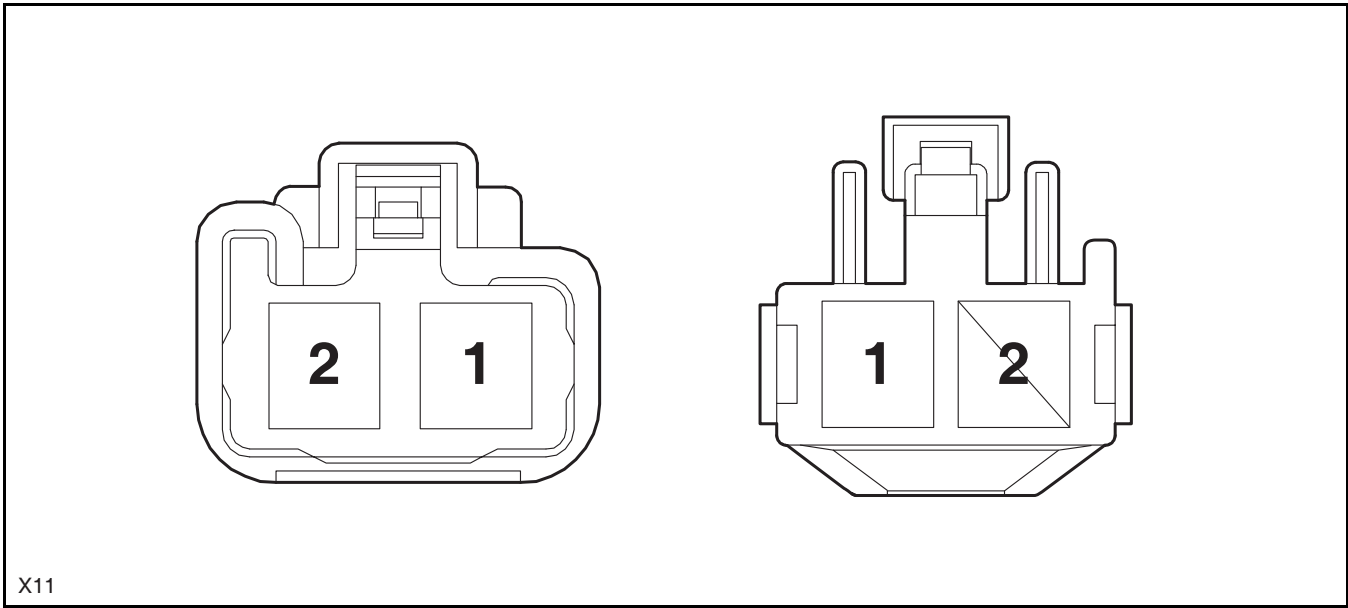
Pin No.	Wire Diameter/Color	Function
23	0.5 BU/BN	IG1 Power Supply
24	-	-
25	-	-
26	-	-
27	0.5 GN/WH	Brake Vacuum Sensor Power Supply
28	0.5 OG/WH	Brake Vacuum Sensor Signal
29	-	-
30	0.5 BU/BK	Brake Vacuum Sensor Grounding
31	2.0 BK	Grounding
32	0.3 LG	Power PCAN-L

Engine Compartment Wiring Harness to Engine Wiring
Harness BEngine Wiring Harness to Engine Compartment Wiring
Harness B**X10 Wiring Harness Connector Pin Definition**

Pin No.	Wire Diameter/Color	Function
1	-	-
2	1.25 WH/YE	Sensor Power Supply
3	1.25 BK/YE	Ignition Coil Power Supply
4	0.75 RD/OG	Compressor Power Supply
5	1.25 WH/RD	TCU Constant Power Supply
6	0.5 RD/YE	Alternator Excitation
7	-	-
8	0.75 RD/BU	Front Oxygen Sensor Heater Control
9	0.75 VT	Rear Oxygen Sensor Heater Control
10	0.5 RD/BK	Front Oxygen Sensor Signal
11	0.5 BK/YE	Front Oxygen Sensor Signal
12	0.5 GY/BK	Rear Oxygen Sensor Signal
13	0.5 YE/RD	Rear Oxygen Sensor Signal
14	1.25 BK	Grounding

Engine Compartment Wiring Harness to Engine Wiring
Harness C

Engine Wiring Harness to Engine Compartment Wiring
Harness C

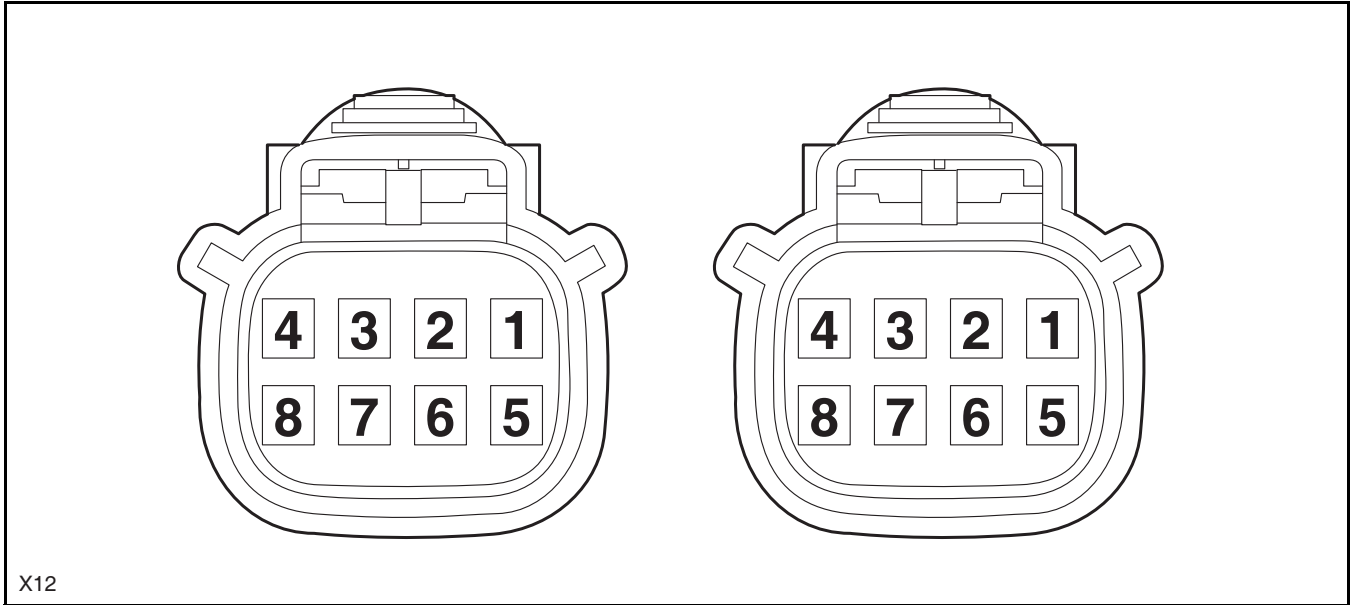


X11 Wiring Harness Connector Pin Definition

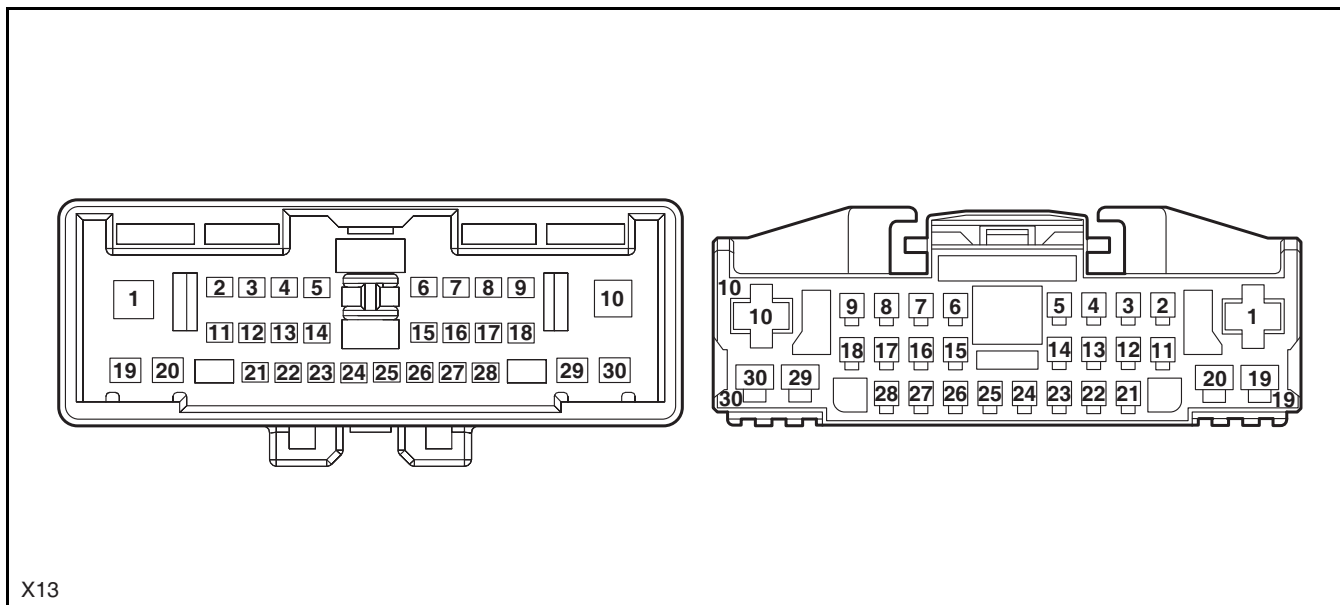
Pin No.	Wire Diameter/Color	Function
1	0.5 WH/BU	Starting Motor Signal
2	-	-

Engine Wiring Harness to Fuel Injector Wiring Harness

Fuel Injector Wiring Harness to Engine Wiring Harness

**X12 Wiring Harness Connector Pin Definition**

Pin No.	Wire Diameter/Color	Function
1	0.85 RD/GN	Fuel Injector 1 Power Supply
2	0.85 WH	Fuel Injector 2 Power Supply
3	0.85 PK/WH	Fuel Injector 3 Power Supply
4	0.85 YE/GN	Fuel Injector 4 Power Supply
5	0.85 RD/BU	Fuel Injector 1 Control Signal
6	0.85 WH/YE	Fuel Injector 2 Control Signal
7	0.85 BU/BK	Fuel Injector 3 Control Signal
8	0.85 PK	Fuel Injector 4 Control Signal

Instrument Panel Wiring Harness to Roof Wiring
Harness ARoof Wiring Harness to Instrument Panel Wiring
Harness A

X13

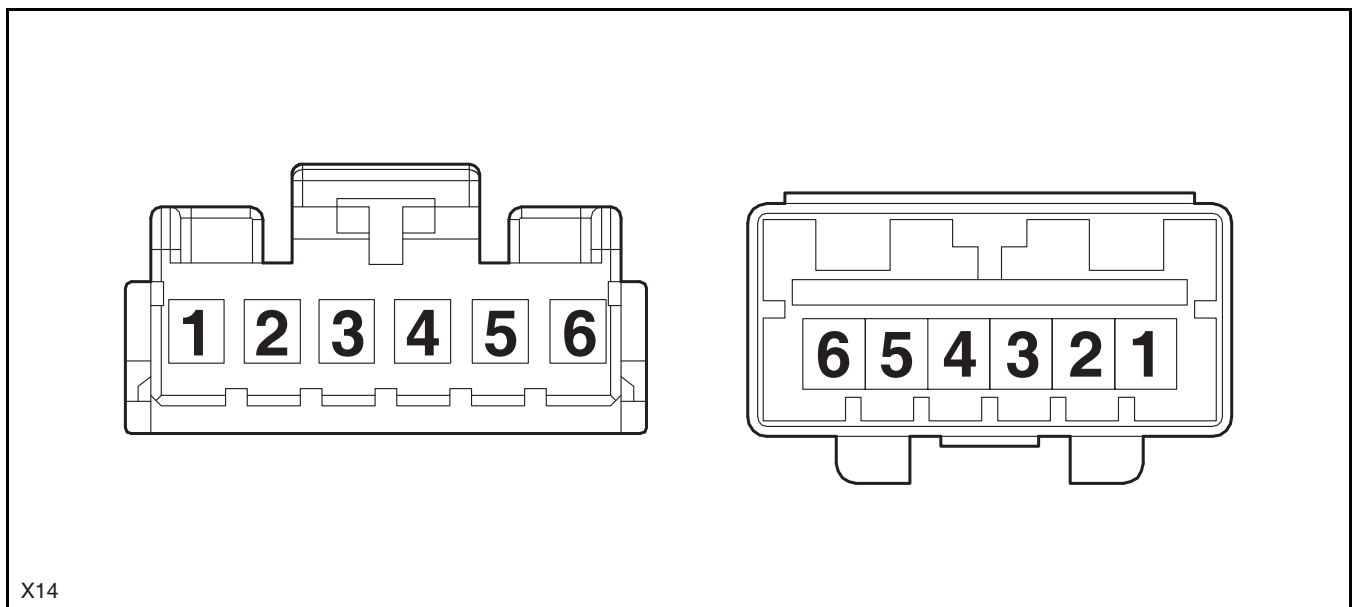
X13 Wiring Harness Connector Pin Definition

Pin No.	Wire Diameter/Color	Function
1	1.25 WH/BK	Constant Power Supply
2	0.5 RD/YE	Background Lamp
3	0.5 PK/BN	ACC Power Supply
4	-	-
5	-	-
6	-	-
7	-	-
8	-	-
9	-	-
10	-	-
11	-	-
12	-	-
13	0.3 WH	BCAN-L
14	0.3 GN	BCAN-H
15	-	-
16	0.5 OG/BN	IG2 Power Supply
17	0.5 YE	IG1 Power Supply
18	0.3 GN/BU	LIN Line
19	0.5 VT	Microphone 2 Signal
20	0.5 BK	Microphone 2 Signal Grounding
21	0.5 RD/BK	Energy Saving Output
22	0.5 WH/RD	Dome Lamp DOOR Control Signal

Pin No.	Wire Diameter/Color	Function
23	-	-
24	0.5 BK	Blind Spot Video Signal
25	0.5 RD	Drive Recorder Video Grounding
26	0.5 GN	Drive Recorder Video Power Supply
27	0.5 RD	Microphone 1 Signal Grounding
28	0.5 BU	Microphone 1 Signal
29	-	-
30	-	-

Instrument Panel Wiring Harness to Sunlight Sensor
Wiring Harness

Sunlight Sensor Wiring Harness to Instrument Panel
Wiring Harness



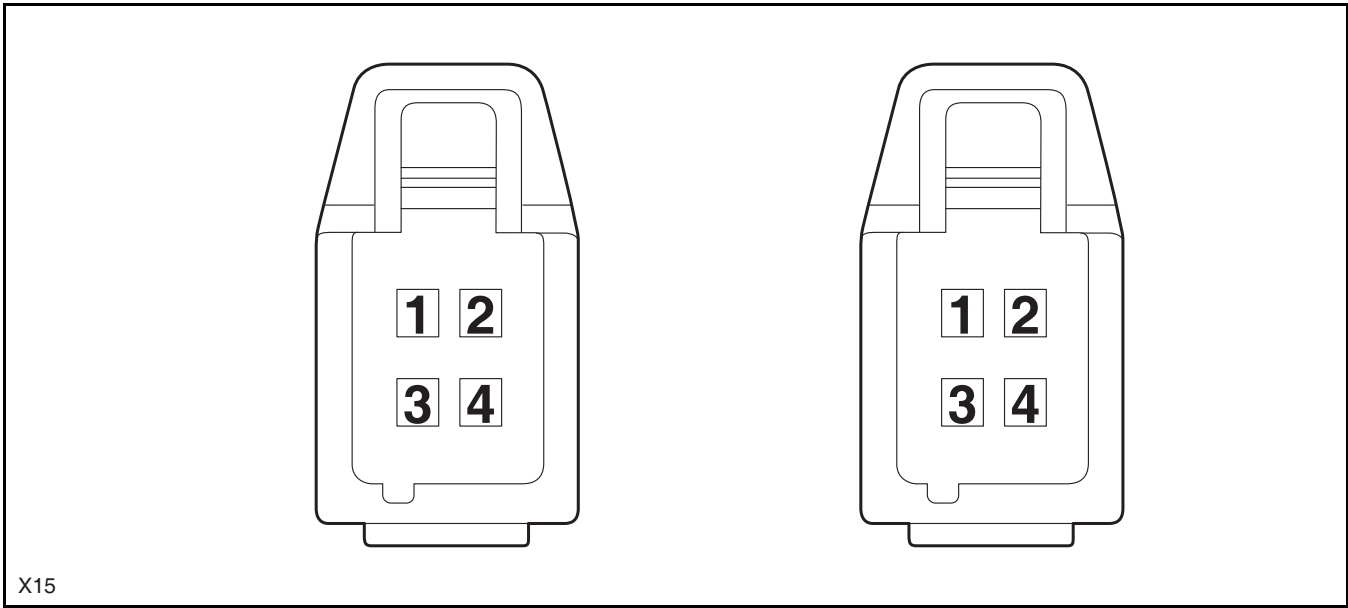
X14

X14 Wiring Harness Connector Pin Definition

Pin No.	Wire Diameter/Color	Function
1	0.5 YE	Sunlight Sensor Power Supply
2	0.3 VT/WH	Solar Sensor Signal
3	0.3 BU/RD	Solar Sensor Grounding
4	-	-
5	0.3 GY	Ambient Light Sensor Signal
6	0.5 PK	Ambient Light Sensor Grounding

Instrument Panel Wiring Harness to Roof Wiring
Harness B

Roof Wiring Harness to Instrument Panel Wiring
Harness B



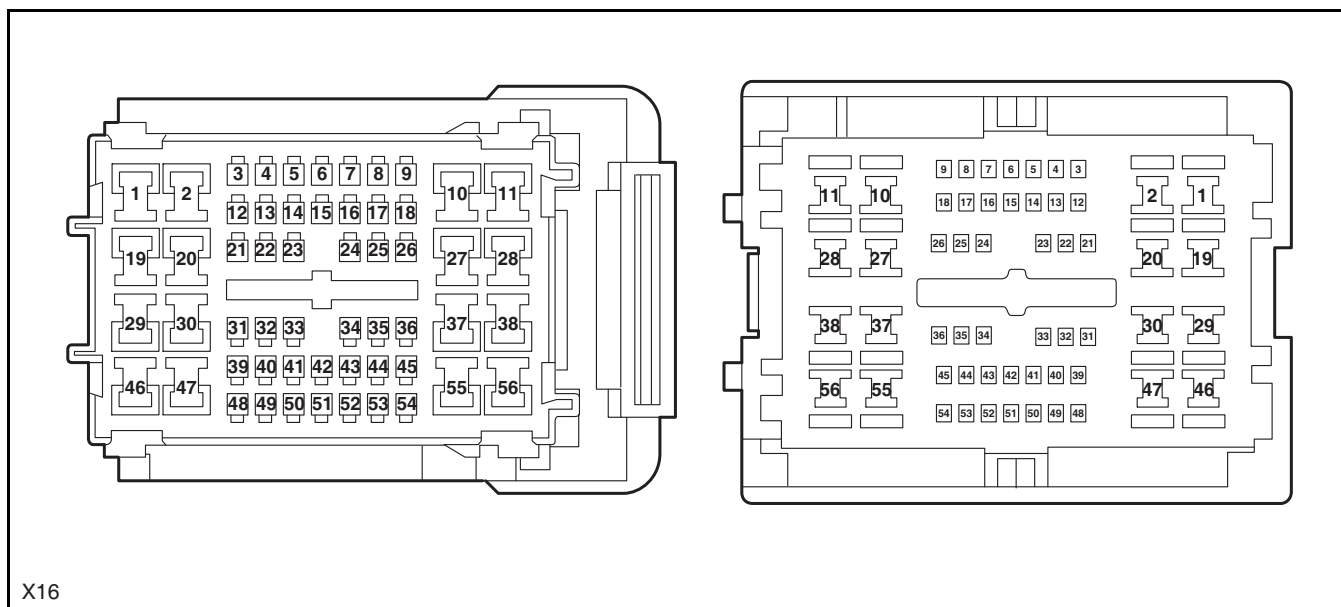
X15

X15 Wiring Harness Connector Pin Definition

Pin No.	Wire Diameter/Color	Function
1	-	-
2	-	-
3	-	-
4	-	-

Instrument Panel Wiring Harness to Chassis Wiring
Harness C

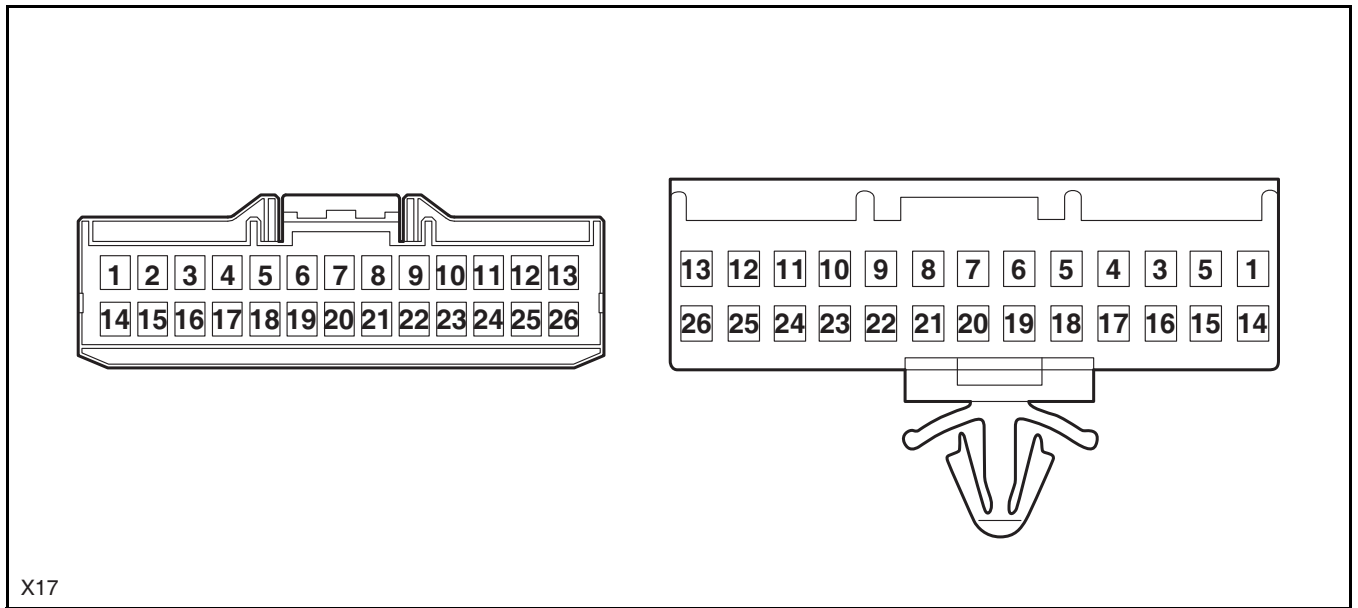
Chassis Wiring Harness to Instrument Panel Wiring
Harness C



X16 Wiring Harness Connector Pin Definition

Pin No.	Wire Diameter/Color	Function
1	-	-
2	-	-
3	-	-
4	-	-
5	-	-
6	-	-
7	-	-
8	-	-
9	-	-
10	-	-
11	-	-
12	-	-
13	-	-
14	-	-
15	-	-
16	-	-
17	-	-
18	-	-
19	-	-
20	-	-
21	0.3 BN/BK	Rear Low Frequency Antenna +
22	0.3 BU/BK	Rear Low Frequency Antenna -

Pin No.	Wire Diameter/Color	Function
23	0.3 GN/RD	Right Low Frequency Antenna +
24	0.3 BK/YE	Right Low Frequency Antenna -
25	0.3 PK/BK	Turn Lamp Feedback
26	0.3 WH/RD	Lock Status Signal
27	-	-
28	0.75 PK/YE	Central Lock
29	0.5 VT/OG	Right Front Speaker Positive
30	0.5 VT/GN	Right Front Speaker Negative
31	-	-
32	-	-
33	0.3 WH/RD	Right Front Door Status Signal
34	0.3 RD/BK	Right Rear Door Status Signal
35	0.5 RD/YE	Right Outside Rearview Mirror Heater Power Supply
36	0.5 VT/WH	Right Rear Position Lamp Power Supply
37	0.5 RD/BU	Left Turn Lamp Power Supply
38	0.5 RD/WH	Right Turn Lamp Power Supply
39	-	-
40	-	-
41	-	-
42	-	-
43	0.5 BU	Rear Wiper Stop Signal
44	0.5 YE/BN	Left Front Door Unlock
45	0.5 YE/WH	Central Unlock
46	0.5 GN	Right Rear Speaker Negative
47	0.5 GN/VT	Right Rear Speaker Positive
48	0.3 BK	Right Blind Spot Video
49	0.3 WH	Right Blind Spot Video
50	0.5 WH/BU	Rearview Mirror Folding
51	0.5 WH/YE	Rearview Mirror Reset
52	0.3 YE/GN - 0.3 YE/RD	Rearview Mirror Motor Common Terminal
53	0.3 LG	Right Outside Rearview Mirror Up-Down Adjustment
54	0.3 BU/BN	Right Outside Rearview Mirror Left-Right Adjustment Motor
55	0.5 GY/GN	Right Rear Fog Lamp Power Supply
56	0.5 BK/GN	Reversing Trigger Signal

Instrument Panel Wiring Harness to Chassis Wiring
Harness DChassis Wiring Harness to Instrument Panel Wiring
Harness D

X17

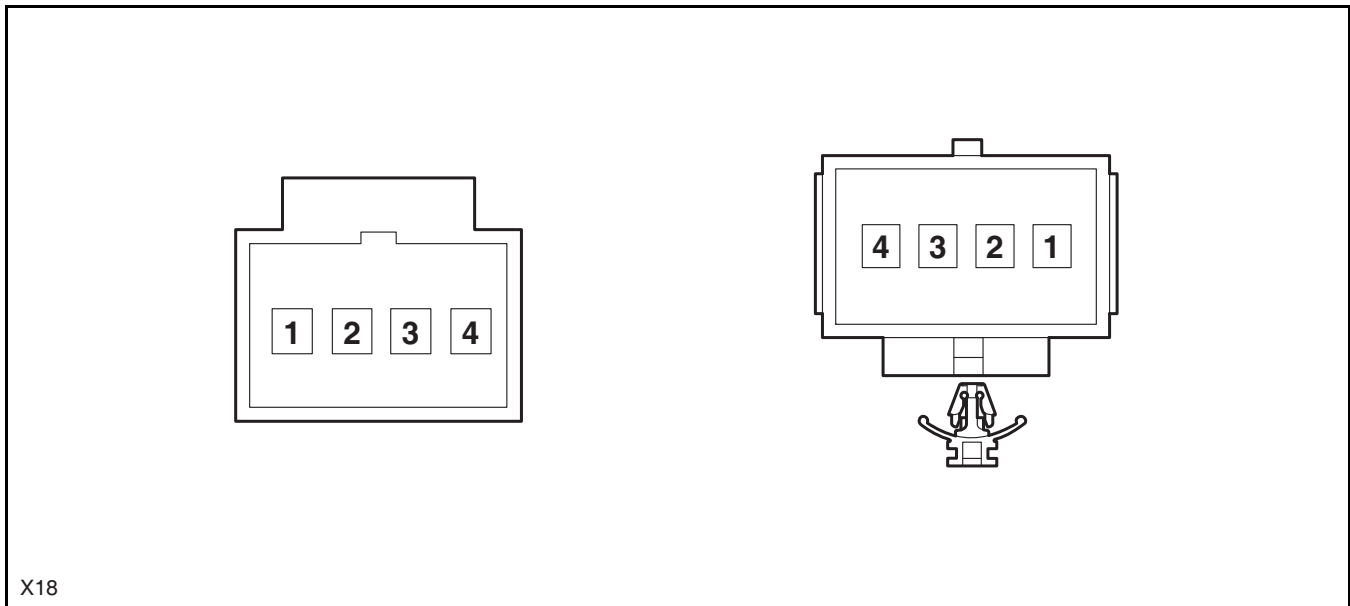
X17 Wiring Harness Connector Pin Definition

Pin No.	Wire Diameter/Color	Function
1	0.5 PK/BN	Backup Power Supply
2	0.5 RD	Left Rear Fog Lamp Power Supply
3	-	-
4	0.5 BU/YE	IG1 Power Supply
5	-	-
6	0.3 WH/BK	Collision Signal
7	0.3 PK	PCAN-H
8	0.3 LG	PCAN-L
9	-	-
10	-	-
11	-	-
12	0.3 BU	Parking Brake Switch
13	-	-
14	-	-
15	-	-
16	0.3 RD/BU	TPMS Power Supply
17	0.3 GY	LIN Line
18	0.5 GN/BU	Antenna -
19	0.1 BK	TPMS Grounding
20	-	-
21	-	-
22	0.5 BK/YE	Rear View Camera Power Supply

Pin No.	Wire Diameter/Color	Function
23	0.3 WH	Reversing Video Signal
24	0.3 BK	Reversing Video Signal Grounding
25	0.5 GN/BU	Rear View Camera Grounding
26	-	-

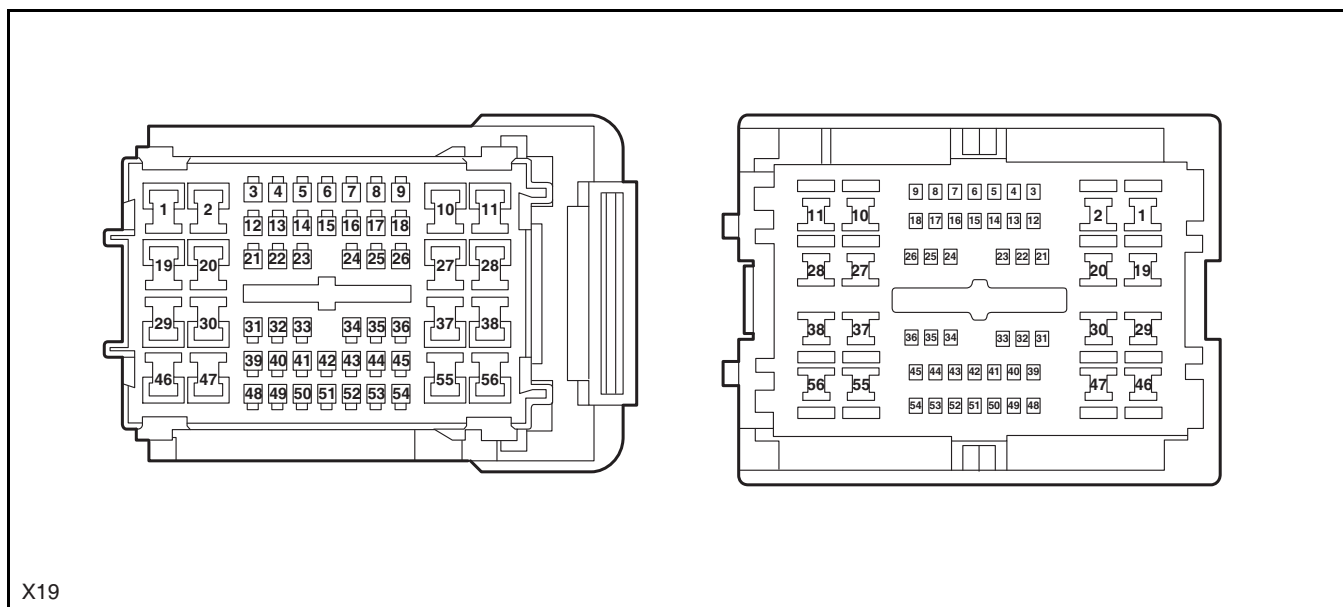
Instrument Panel Wiring Harness to Chassis Wiring
Harness B

Chassis Wiring Harness to Instrument Panel Wiring
Harness B



X18 Wiring Harness Connector Pin Definition

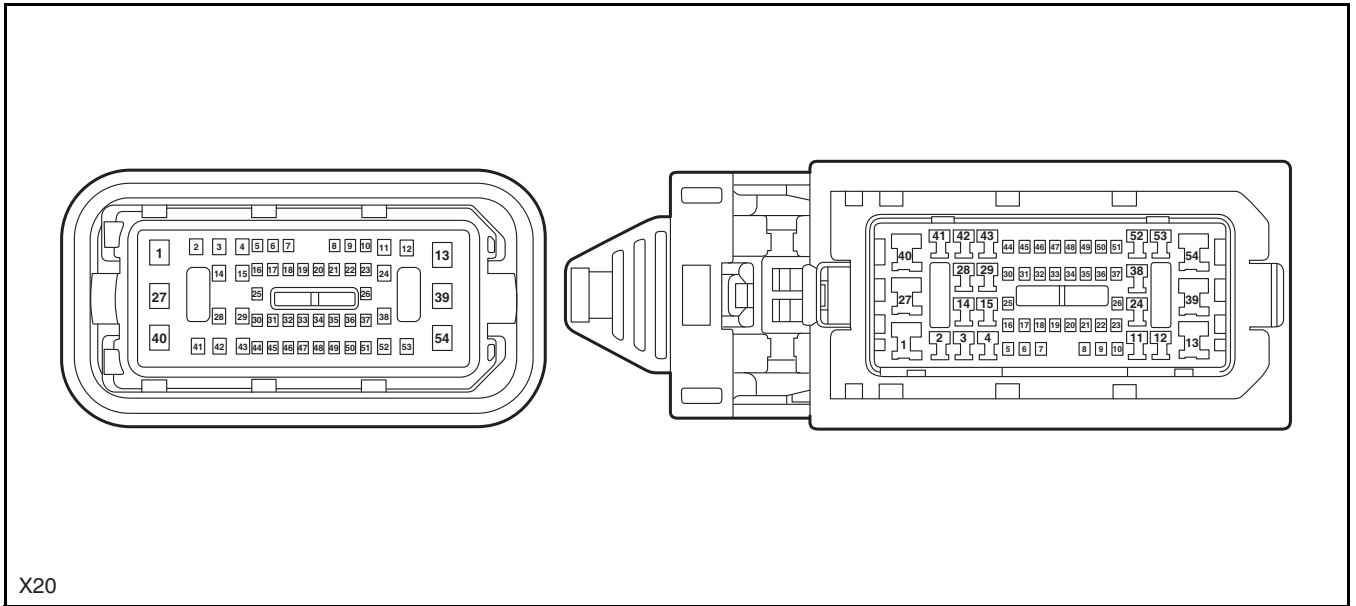
Pin No.	Wire Diameter/Color	Function
1	0.5 RD/BU	Driver Airbag Positive
2	0.5 GY/YE	Driver Airbag Negative
3	0.5 GY/BK	Front Passenger Airbag Negative
4	0.5 RD/YE	Front Passenger Airbag Positive

Instrument Panel Wiring Harness to Chassis Wiring
Harness AChassis Wiring Harness to Instrument Panel Wiring
Harness A

X19 Wiring Harness Connector Pin Definition

Pin No.	Wire Diameter/Color	Function
1	0.5 BN/BU	Brake Lamp Power Supply
2	-	-
3	-	-
4	-	-
5	0.3 YE/RD	Fuel Level Sensor Grounding
6	0.3 BN/WH	Fuel Signal
7	-	-
8	0.3 YE/WH	Luggage Compartment Door Release Switch
9	0.3 BN/BU	High Mounted Brake Lamp Power Supply
10	-	-
11	-	-
12	-	-
13	-	-
14	0.3 WH/BK	Left Front Door Status Signal
15	0.5 RD	Radio Frequency Receiver Power Supply
16	-	-
17	0.3 RD/GN	Luggage Compartment Door Release Switch Signal
18	-	-
19	-	-
20	0.5 WH/VT	Luggage Compartment Door Release Output
21	0.3 WH/GN	Remote Down Signal
22	0.3 WH	Remote Up Signal

Pin No.	Wire Diameter/Color	Function
23	0.3 GN/YE	Central Unlock Switch
24	0.3 GN	Central Lock Switch
25	0.5 RD/BK	Luggage Compartment Lamp Power Supply
26	0.5 GN	Luggage Compartment Lamp Control
27	-	-
28	-	-
29	0.5 GY/WH	Left Front Speaker Negative
30	0.5 VT/YE	Left Front Speaker Positive
31	-	-
32	0.5 BK/GN	Reversing Trigger Signal
33	0.3 OG	LIN Line
34	-	-
35	-	-
36	-	-
37	-	-
38	-	-
39	0.5 OG/BK	Position Lamp Power Supply
40	0.3 GY	LIN Line
41	0.3 BN/RD	Left Low Frequency Antenna +
42	0.3 OG/BN	Left Low Frequency Antenna -
43	0.3 YE	Left Front Door Handle Button
44	0.3 VT	Left Rear Door Status Signal
45	-	-
46	0.5 OG/GN	Left Rear Speaker Positive
47	0.5 PK	Left Rear Speaker Negative
48	-	-
49	-	-
50	0.5 RD/YE	Left Outside Rearview Mirror Heater Power Supply
51	0.3 BK/WH	Left Outside Rearview Mirror Up-Down Adjustment
52	0.3 YE/GN	Rearview Mirror Motor Common Terminal
53	0.3 BU	Left Outside Rearview Mirror Left-Right Adjustment
54	-	-
55	-	-
56	-	-

Chassis Wiring Harness to Right Front Door Wiring
HarnessRight Front Door Wiring Harness to Chassis Wiring
Harness

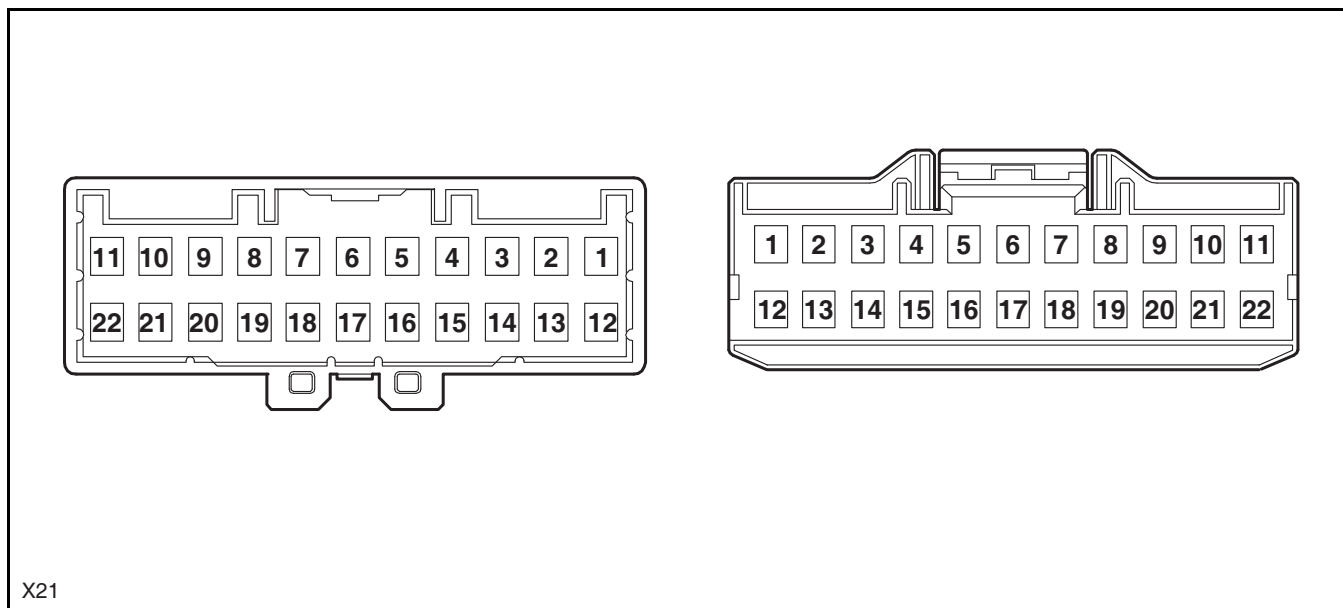
X20 Wiring Harness Connector Pin Definition

Pin No.	Wire Diameter/Color	Function
1	-	-
2	-	-
3	-	-
4	-	-
5	0.3 GY	Right Front Door Window Switch Power Supply
6	-	-
7	-	-
8	0.5 RD/WH	Right Turn Lamp Power Supply
9	-	-
10	-	-
11	0.5 RD/GN	Background Lamp
12	0.5 WH/YE	Rearview Mirror Reset
13	2.0 BK	Grounding
14	-	-
15	0.5 PK/YE	Central Lock
16	0.3 BN	Window Lock Signal
17	-	-
18	-	-
19	0.5 WH/BU	Rearview Mirror Folding
20	0.3 GN/BU	Rear View Camera Grounding
21	0.3 WH	Right Blind Spot Video
22	0.3 BK/YE	Rear View Camera Power Supply

Pin No.	Wire Diameter/Color	Function
23	0.3 BK	Right Blind Spot Video
24	-	-
25	-	-
26	-	-
27	-	-
28	-	-
29	-	-
30	-	-
31	0.5 VT/OG	Right Front Speaker Positive
32	0.5 VT/GN	Right Front Speaker Negative
33	-	-
34	-	-
35	0.5 RD/YE	Right Outside Rearview Mirror Heater Power Supply
36	0.3 BU/WH	Right Front Door Button Down Signal
37	0.3 BU/BK	Right Front Door Button Up Signal
38	0.5 YE/WH	Central Unlock
39	-	-
40	-	-
41	-	-
42	-	-
43	-	-
44	-	-
45	-	-
46	-	-
47	0.3 BU/BN	Right Outside Rearview Mirror Left-Right Adjustment
48	0.3 YE/RD	Rearview Mirror Motor Common Terminal
49	0.3 LG	Right Outside Rearview Mirror Up-Down Adjustment
50	-	-
51	-	-
52	-	-
53	-	-
54	2.0 YE	Power Supply

Chassis Wiring Harness to Back Door Wiring Harness

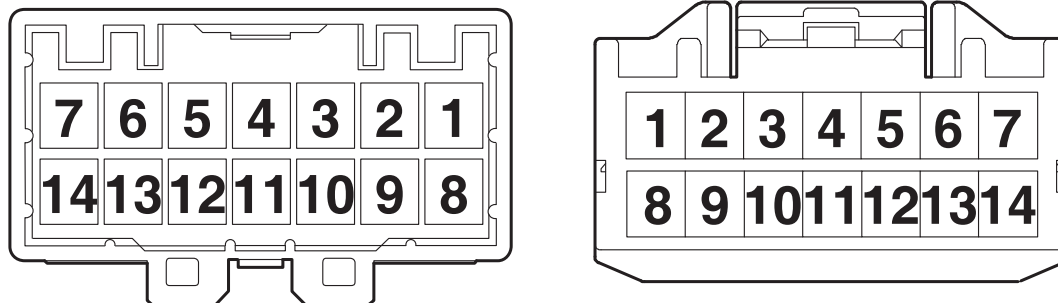
Back Door Wiring Harness to Chassis Wiring Harness

**X21 Wiring Harness Connector Pin Definition**

Pin No.	Wire Diameter/Color	Function
1	0.5 BU	Rear Wiper Stop Signal
2	1.25 YE/GN	Rear Wiper Operation Signal
3	0.5 RD/GN	Position Lamp Power Supply
4	-	-
5	0.5 BK/GN	Reversing Trigger Signal
6	0.3 RD/GN	Luggage Compartment Door Release Switch Signal
7	0.5 WH/VT	Luggage Compartment Door Release Output
8	0.3 YE/WH	Luggage Compartment Door Release Switch
9	0.3 BN/BU	High Mounted Brake Lamp Power Supply
10	1.25 BK	Grounding
11	-	-
12	2.0 BU/OG	Rear Defroster Power Supply
13	-	-
14	-	-
15	0.5 BK/YE	Rear View Camera Power Supply
16	0.3 GN/BU	Rear View Camera Grounding
17	0.3 WH	Reversing Video Signal
18	0.3 BK	Reversing Video Signal Grounding
19	-	-
20	-	-
21	-	-
22	1.25 BK	Grounding

Chassis Wiring Harness to Right Rear Door Wiring
Harness

Right Rear Door Wiring Harness to Chassis Wiring
Harness



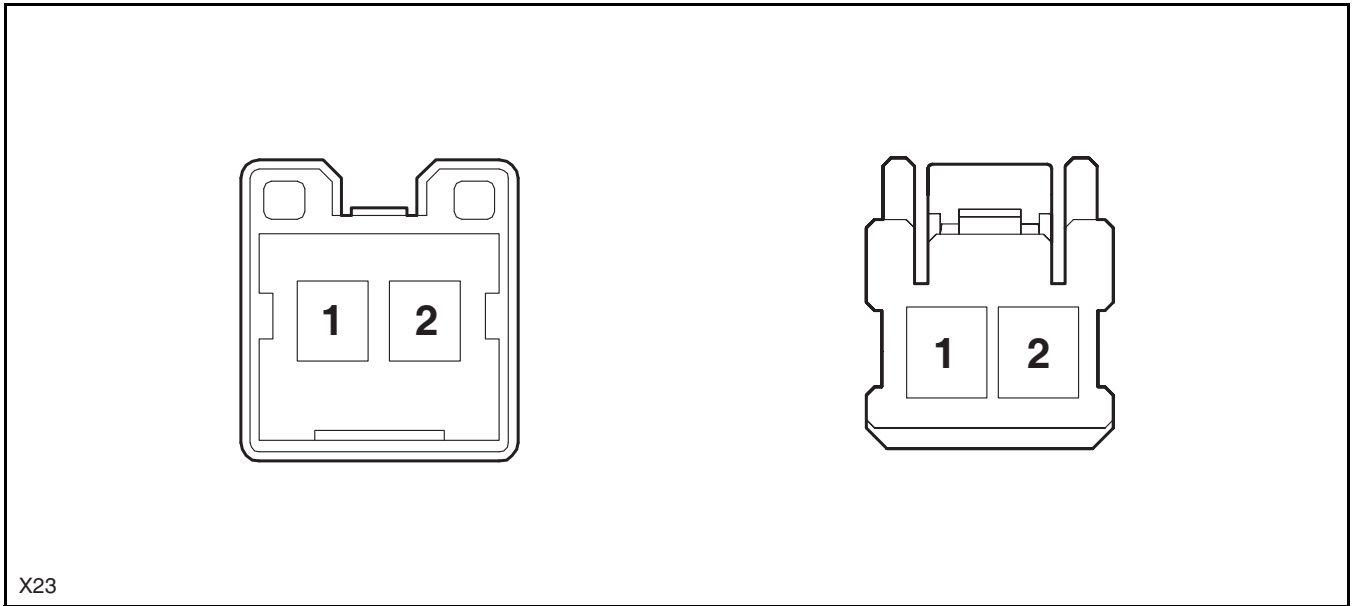
X22

X22 Wiring Harness Connector Pin Definition

Pin No.	Wire Diameter/Color	Function
1	0.3 GY	Right Rear Door Window Switch Power Supply
2	0.5 RD/GN	Background Lamp
3	2.0 BK	Grounding
4	2.0 YE	Power Supply
5	0.3 BN	Window Lock Signal
6	0.3 BN/BU	Right Rear Door Button Down Signal
7	0.3 BN/WH	Right Rear Door Button Up Signal
8	0.5 YE/WH	Central Unlock
9	0.5 PK/YE	Central Lock
10	0.3 GN/RD	Right Low Frequency Antenna +
11	0.3 BK/YE	Right Low Frequency Antenna -
12	0.5 GN/VT	Right Rear Speaker Positive
13	0.5 GN	Right Rear Speaker Negative
14	-	-

Chassis Wiring Harness to Right EPB Motor Wiring Harness

Right EPB Motor Wiring Harness to Chassis Wiring Harness

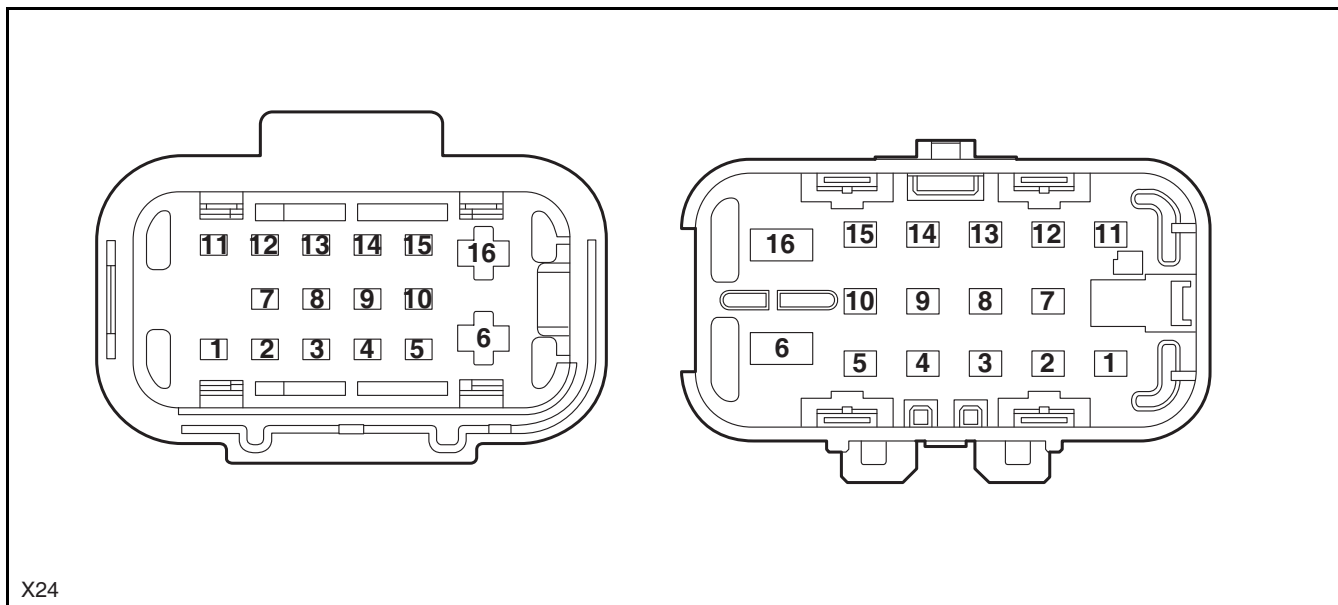


X23 Wiring Harness Connector Pin Definition

Pin No.	Wire Diameter/Color	Function
1	2.5 PK	Right EPB Motor A
2	2.5 RD/BK	Right EPB Motor B

Chassis Wiring Harness to Rear Bumper Wiring
Harness

Rear Bumper Wiring Harness to Chassis Wiring
Harness

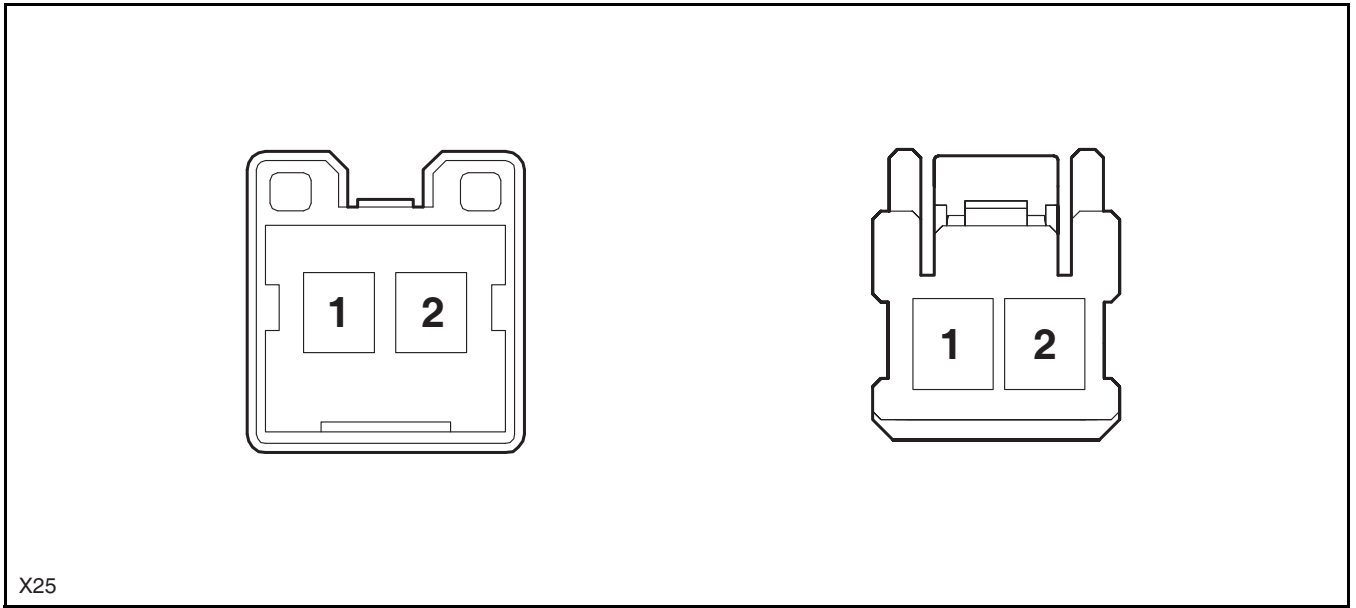


X24 Wiring Harness Connector Pin Definition

Pin No.	Wire Diameter/Color	Function
1	0.3 RD/BU	Reversing Trigger Signal
2	0.3 OG	LIN Line
3	0.75 BK	Grounding
4	-	-
5	0.5 RD	Left Rear Fog Lamp Power Supply
6	0.5 GY/GN	Right Rear Fog Lamp Power Supply
7	-	-
8	-	-
9	-	-
10	-	-
11	-	-
12	-	-
13	-	-
14	-	-
15	-	-
16	0.75 BK	Grounding

Chassis Wiring Harness to Left EPB Motor Wiring
Harness

Left EPB Motor Wiring Harness to Chassis Wiring
Harness

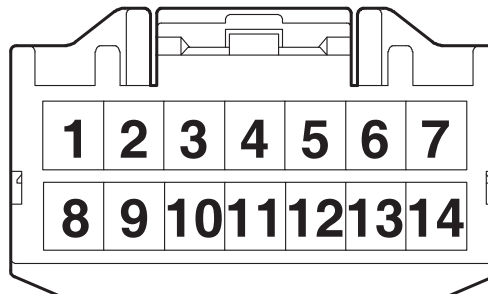
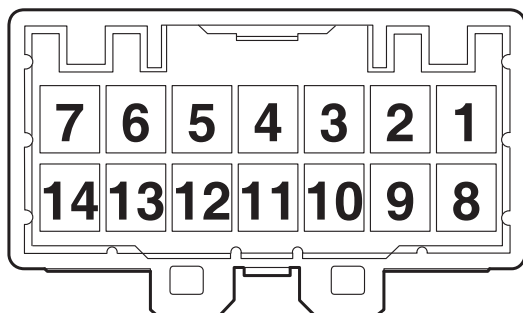


X25 Wiring Harness Connector Pin Definition

Pin No.	Wire Diameter/Color	Function
1	2.5 VT	Left EPB Motor A
2	2.5 BU/BK	Left EPB Motor B

Chassis Wiring Harness to Left Rear Door Wiring
Harness

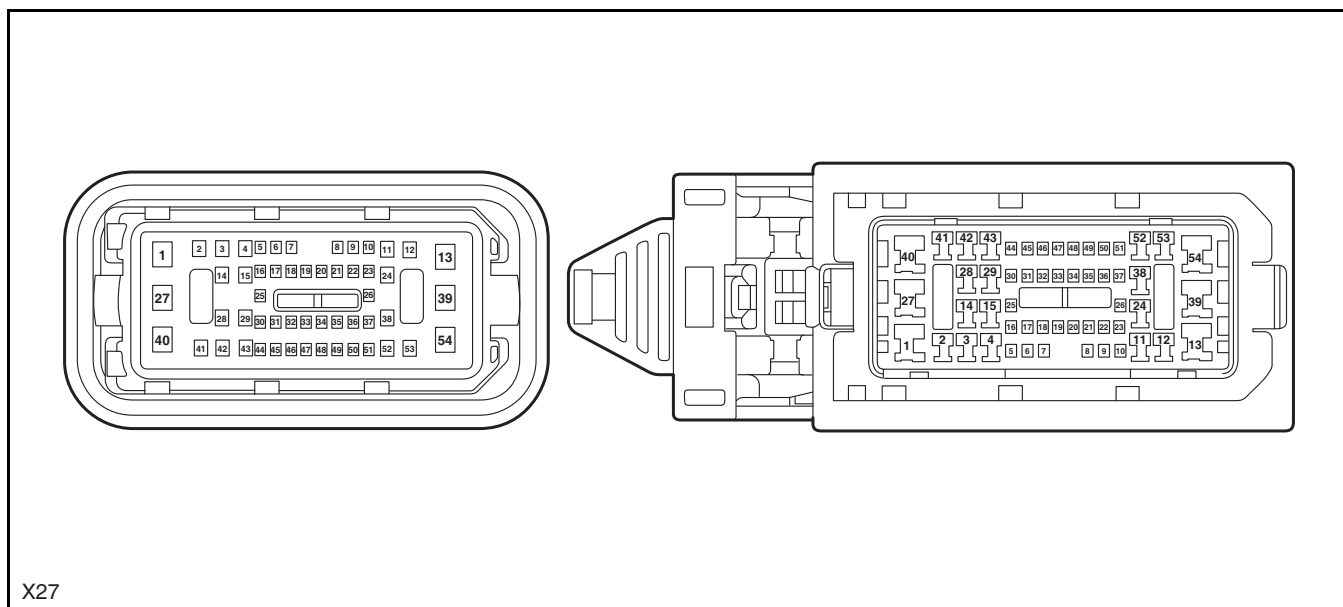
Left Rear Door Wiring Harness to Chassis Wiring
Harness



X26

X26 Wiring Harness Connector Pin Definition

Pin No.	Wire Diameter/Color	Function
1	0.3 GY	Left Rear Door Window Switch Power Supply
2	2.0 WH/BK	Power Supply
3	0.5 RD/GN	Background Lamp
4	2.0 BK	Grounding
5	0.3 BN	Window Lock Signal
6	0.3 PK/BK	Left Rear Door Button Up Signal
7	0.3 PK/GN	Left Rear Door Button Down Signal
8	0.5 YE/WH	Central Unlock
9	0.5 PK/YE	Central Lock
10	0.3 BN/RD	Left Low Frequency Antenna +
11	0.3 OG/BN	Left Low Frequency Antenna -
12	0.5 OG/GN	Left Rear Speaker Positive
13	0.5 PK	Left Rear Speaker Negative
14	-	-

Chassis Wiring Harness to Left Front Door Wiring
HarnessLeft Front Door Wiring Harness to Chassis Wiring
Harness

X27

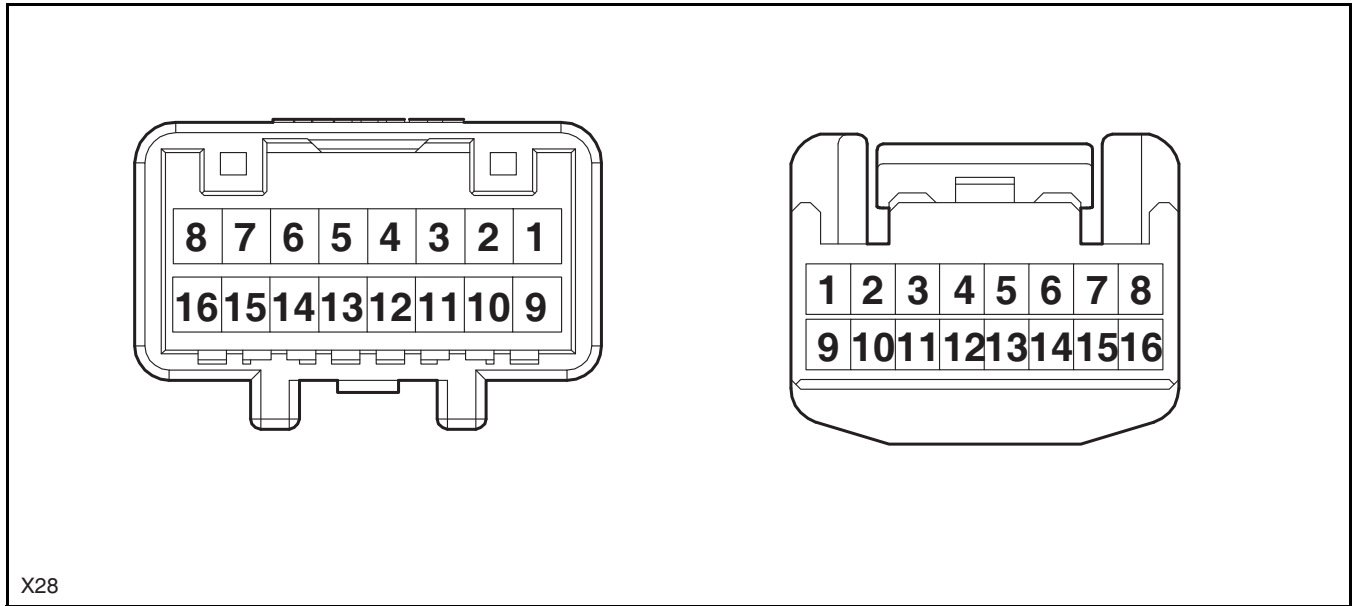
X27 Wiring Harness Connector Pin Definition

Pin No.	Wire Diameter/Color	Function
1	2.0 WH/BK	Power Supply
2	-	-
3	0.3 WH/GN	Remote Down Signal
4	0.3 WH	Remote Up Signal
5	0.3 GY	LIN Line
6	0.3 BN	Window Lock Signal
7	0.3 GN/YE	Central Unlock Switch
8	0.3 GN	Central Lock Switch
9	0.3 BN/BU	Right Rear Door Button Down Signal
10	0.3 BN/WH	Right Rear Door Button Up Signal
11	0.3 BU/WH	Right Front Door Button Down Signal
12	0.3 BU/BK	Right Front Door Button Up Signal
13	2.0 BK	Grounding
14	0.3 PK/BK	Left Rear Door Button Up Signal
15	0.3 PK/GN	Left Rear Door Button Down Signal
16	-	-
17	0.5 RD/BU	Left Turn Lamp Power Supply
18	0.5 PK/YE	Central Lock
19	0.3 GY	Left Front Door Window Switch Power Supply
20	-	-
21	-	-
22	-	-

Pin No.	Wire Diameter/Color	Function
23	-	-
24	-	-
25	-	-
26	-	-
27	-	-
28	0.5 GY/WH	Left Front Speaker Negative
29	0.5 VT/YE	Left Front Speaker Positive
30	-	-
31	-	-
32	-	-
33	0.5 RD/GN	Background Lamp
34	0.3 BK/WH	Left Outside Rearview Mirror Up-Down Adjustment
35	0.3 YE/GN	Rearview Mirror Motor Common Terminal
36	0.3 BU	Left Outside Rearview Mirror Left-Right Adjustment
37	0.3 YE	Left Front Door Handle Button
38	0.5 RD/YE	Left Outside Rearview Mirror Heater Power Supply
39	-	-
40	-	-
41	0.5 YE/BN	Left Front Door Unlock
42	-	-
43	-	-
44	-	-
45	-	-
46	-	-
47	0.3 WH/RD	Lock Status Signal
48	-	-
49	0.5 WH/YE	Rearview Mirror Reset
50	0.5 WH/BU	Rearview Mirror Folding
51	-	-
52	-	-
53	-	-
54	-	-

Back Door Wiring Harness to License Plate Lamp
Wiring Harness

License Plate Lamp Wiring Harness to Back Door
Wiring Harness

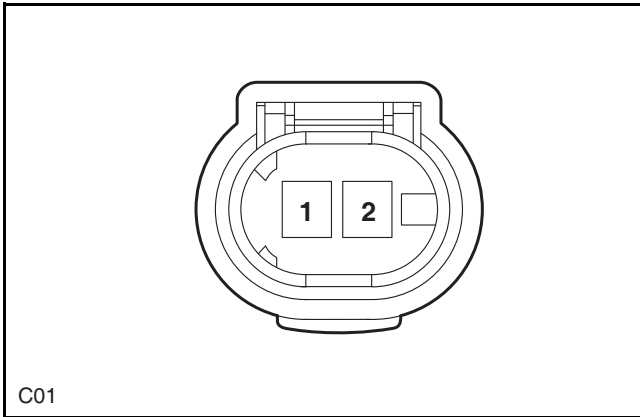


X28 Wiring Harness Connector Pin Definition

Pin No.	Wire Diameter/Color	Function
1	0.3 RD/GN	Position Lamp Power Supply
2	0.3 BK	Reversing Video Signal Grounding
3	0.3 WH	Reversing Video Signal
4	0.3 BK/YE	Rear View Camera Power Supply
5	0.3 GN/BU	Rear View Camera Grounding
6	-	-
7	-	-
8	-	-
9	0.3 YE/WH	Luggage Compartment Door Release Switch
10	0.3 BK	Grounding
11	-	-
12	-	-
13	-	-
14	-	-
15	-	-
16	-	-

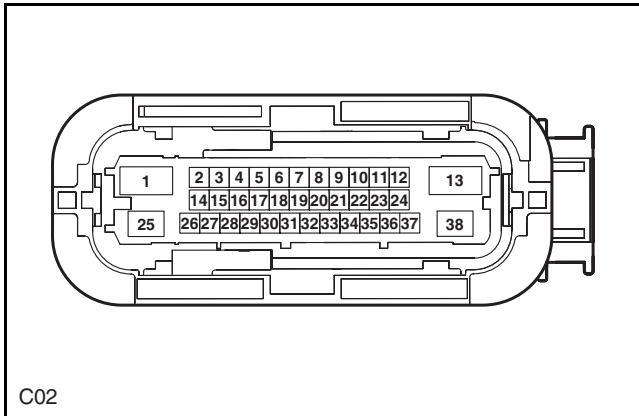
Engine Compartment Wiring Harness Connector (C--)

Right Front Wheel Speed Sensor

**C01 Wiring Harness Connector Pin Definition**

Pin No.	Wire Diameter/Color	Function
1	0.5 VT/GN	Right Front Wheel Speed Sensor Power Supply
2	0.5 GN/WH	Right Front Wheel Speed Sensor Signal

ESP



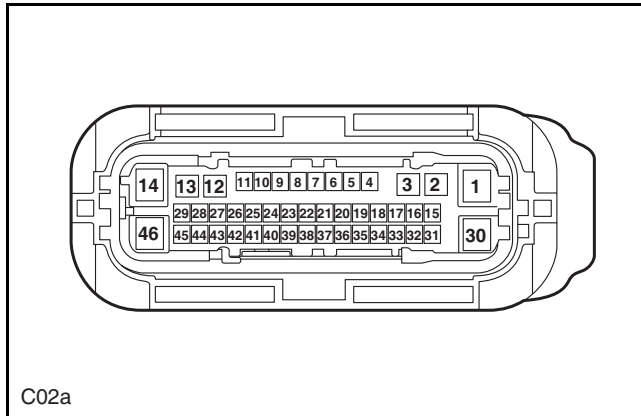
C02

C02 Wiring Harness Connector Pin Definition

Pin No.	Wire Diameter/Color	Function
1	3.0 BN	Constant Power Supply
2	-	-
3	-	-
4	0.3 OG	ESP Switch
5	-	-
6	0.3 OG/BU	IG1 Power Supply
7	0.3 VT/YE	Vehicle Speed Signal
8	-	-
9	-	-
10	0.5 LG	PCAN-L
11	0.5 PK	PCAN-H
12	-	-
13	4.0 BK	Grounding
14	-	-
15	-	-
16	-	-
17	-	-
18	-	-
19	-	-
20	-	-
21	-	-
22	-	-
23	-	-
24	-	-
25	2.0 RD/WH	Constant Power Supply
26	0.5 GN/WH	Right Front Wheel Speed Sensor Signal

Pin No.	Wire Diameter/Color	Function
27	0.5 VT/GN	Right Front Wheel Speed Sensor Power Supply
28	-	-
29	0.3 WH/BU	Left Rear Wheel Speed Sensor Power Supply
30	0.3 OG/BN	Left Rear Wheel Speed Sensor Signal
31	-	-
32	-	-
33	0.3 GN/YE	Right Rear Wheel Speed Sensor Signal
34	0.3 GN/BU	Right Rear Wheel Speed Sensor Power Supply
35	-	-
36	0.5 GN/OG	Left Front Wheel Speed Sensor Power Supply
37	0.5 GY/GN	Left Front Wheel Speed Sensor Signal
38	-	-

Electronic Parking Brake Controller

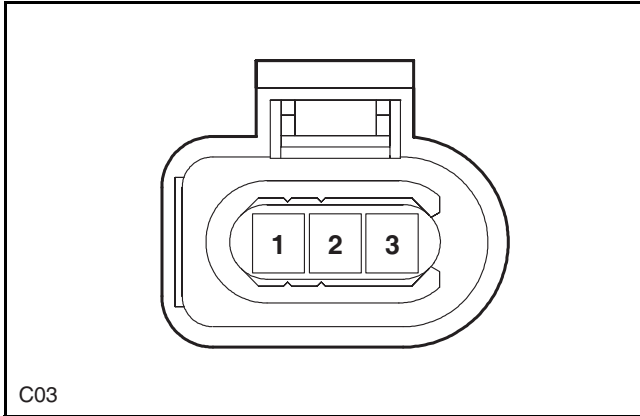


C02a Wiring Harness Connector Pin Definition

Pin No.	Wire Diameter/Color	Function
1	4.0 RD/WH	Constant Power Supply
2	2.5 PK	Right EPB Motor A
3	2.5 RD/BK	Right EPB Motor B
4 (MT)	0.5 GN/WH	Right Front Wheel Speed Sensor Signal
5 (MT)	0.5 VT/GN	Right Front Wheel Speed Sensor Power Supply
5 (AT)	0.5 PK	PCAN-H
6 (MT)	0.3 OG/BN	Left Rear Wheel Speed Sensor Signal
7 (MT)	0.3 WH/BU	Left Rear Wheel Speed Sensor Power Supply
7 (AT)	0.5 GY/GN	Left Front Wheel Speed Sensor Signal
8 (MT)	0.5 GY/GN	Left Front Wheel Speed Sensor Signal
9 (MT)	0.5 GN/OG	Left Front Wheel Speed Sensor Power Supply
10 (MT)	0.3 GN/YE	Right Rear Wheel Speed Sensor Signal
11 (MT)	0.3 GN/BU	Right Rear Wheel Speed Sensor Power Supply
12	2.5 BU/RD	Left EPB Motor B
13	2.5 VT	Left EPB Motor A
14	4.0 BK	Grounding
15 (MT)	0.5 RD/GN	Clutch Stroke Sensor Signal
15 (AT)	0.3 WH/BK	EPB_SW3
16 (MT)	0.5 BU	Clutch Stroke Sensor Power Supply
16 (AT)	0.3 PK/BU	EPB_SW6
17 (MT)	0.3 YE/BK	EPB_SW1
18 (MT)	0.3 PK/BU	EPB_SW6
18 (AT)	0.3 YE/GN	EPB Operation Indicator
19 (AT)	0.5 LG	PCAN-L
19 (MT)	0.3 WH/BK	EPB_SW3
20	-	-

Pin No.	Wire Diameter/Color	Function
21 (AT)	0.5 VT/GN	Right Front Wheel Speed Sensor Power Supply
21 (MT)	0.3 GY/OG	HDC Switch
22 (AT)	0.3 GN/BU	Right Rear Wheel Speed Sensor Power Supply
23 (AT)	0.3 OG/BN	Left Rear Wheel Speed Sensor Signal
24 (AT)	0.5 GN/OG	Left Front Wheel Speed Sensor Power Supply
24 (MT)	0.3 OG/GN	EPB_SW4
25	-	-
26 (AT)	0.5 GN/WH	Right Front Wheel Speed Sensor Signal
27 (MT)	0.3 YE/GN	EPB Operation Indicator
28 (MT)	0.3 VT/YE	Vehicle Speed Signal
29 (MT)	0.5 VT/PK	Clutch Stroke Sensor Grounding
30	4.0 WH	Constant Power Supply
31 (AT)	0.3 YE/BK	EPB_SW1
32 (AT)	0.3 OG/GN	EPB_SW4
33	-	-
34	-	-
35 (MT)	0.3 OG/BU	IG1 Power Supply
36 (AT)	0.3 OG/BU	IG1 Power Supply
37 (AT)	0.3 GN/YE	Right Rear Wheel Speed Sensor Signal
38	-	-
39 (AT)	0.3 WH/BU	Left Rear Wheel Speed Sensor Power Supply
40	-	-
41	0.3 OG	ESP Switch
42 (MT)	0.5 PK	PCAN-H
43 (MT)	0.5 LG	PCAN-L
43 (AT)	0.3 GY/OG	HDC Switch
44	-	-
45	-	-
46 (AT)	4.0 BK	Grounding

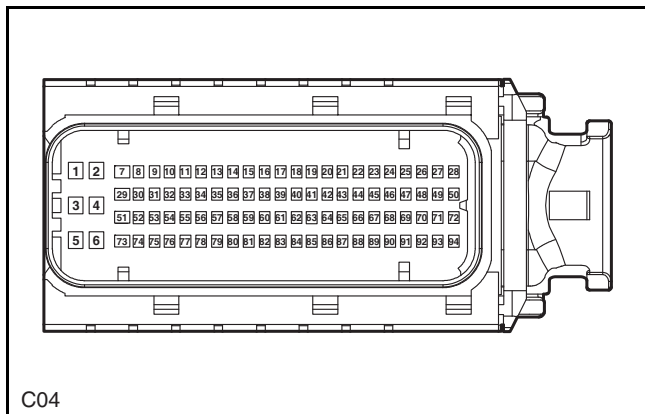
Brake Vacuum Sensor



C03 Wiring Harness Connector Pin Definition

Pin No.	Wire Diameter/Color	Function
1	0.5 GN/WH	Brake Vacuum Sensor Power Supply
2	0.5 BU/BK	Brake Vacuum Sensor Grounding
3	0.5 OG/WH	Brake Vacuum Sensor Signal

ECU-A

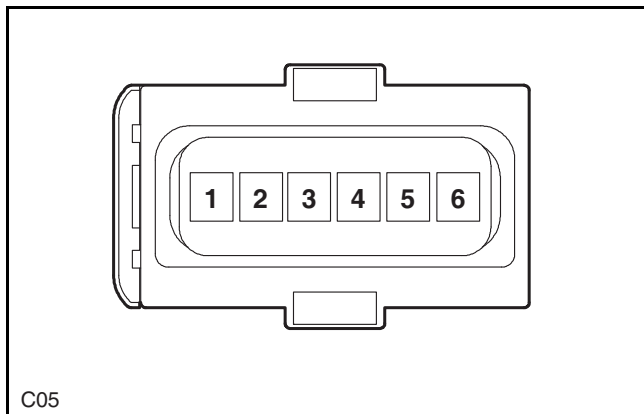
**C04 Wiring Harness Connector Pin Definition**

Pin No.	Wire Diameter/Color	Function
1	2.0 BK	Grounding
2	0.75 BU/YE	Constant Power Supply
3	2.0 BU/WH	Main Relay Power Supply
4	2.0 BK	Grounding
5	2.0 BU/WH	Main Relay Power Supply
6	2.0 BK	Grounding
7	0.5 BN	Variable Oil Pump Control Signal
8	0.3 PK/BU	A/C Medium Pressure Switch
9	-	-
10	-	-
11	0.5 RD/WH	Brake Switch Constant OFF
12	0.5 PK/BN	Starting Motor Status Feedback
13	-	-
14	-	-
15	-	-
16	-	-
17	0.5 BK/YE	Front Oxygen Sensor Signal
18	-	-
19	-	-
20	0.5 YE/RD	Rear Oxygen Sensor Signal
21 (MT)	0.5 GN/VT	Neutral Signal
22 (MT)	0.5 GN/YE	Clutch Lower Switch Signal
23	-	-
24	-	-
25	0.3 BN/WH	Accelerator Pedal Position Sensor 2 Grounding
26	0.3 YE/GN	Accelerator Pedal Position Sensor 1 Grounding

Pin No.	Wire Diameter/Color	Function
27	-	-
28	-	-
29	-	-
30	-	-
31	-	-
32	-	-
33	-	-
34	-	-
35	0.3 PK/GN	Accelerator Pedal Position Sensor 1 Signal
36	0.5 RD/BK	Front Oxygen Sensor Signal
37	-	-
38	-	-
39	-	-
40	-	-
41	-	-
42	0.5 BN/BK	Brake Switch Constant ON
43	-	-
44	-	-
45	0.3 WH/GN	Cruise Switch Output
46	-	-
47	0.3 WH/YE	Cruise Switch Input
48 (MT)	0.5 GN/WH	Neutral Signal
49	0.5 GY/BK	Rear Oxygen Sensor Signal
50	-	-
51	0.75 RD/BU	Front Oxygen Sensor Heater Control
52	-	-
53	-	-
54	0.3 GN/WH	Accelerator Pedal Position Sensor 2 Signal
55	0.3 WH/RD	Fuel Pump Relay Control
56 (AT)	0.3 GN/RD	Starting Relay 2 Control
57	-	-
58	-	-
59	-	-
60	-	-
61	-	-
62	-	-
63	-	-
64	-	-

Pin No.	Wire Diameter/Color	Function
65	0.3 VT/YE	5V Power Supply - Accelerator Pedal Position Sensor 1
66	0.5 BU/WH	IG1 Power Supply
67	0.3 YE/BK	5V Power Supply - Accelerator Pedal Position Sensor 2
68	-	-
69	-	-
70	0.3 PK	PCAN-H
71	0.3 LG	PCAN-L
72	-	-
73	0.75 VT	Rear Oxygen Sensor Heater Control
74	-	-
75	-	-
76	0.3 OG	Main Relay Control
77	-	-
78	-	-
79	-	-
80	-	-
81	0.3 GN/RD	Starting Relay 1 Control
82	-	-
83	0.3 BN/BU	Compressor Relay Control
84	0.3 LG/BK	Low Speed Fan Relay Control
85	0.3 OG/BN	High Speed Fan Relay Control
86 (MT)	0.5 PK/BN	Clutch Top Switch
87	-	-
88	-	-
89	-	-
90	-	-
91	-	-
92	-	-
93	-	-
94	-	-

Accelerator Pedal Position Sensor

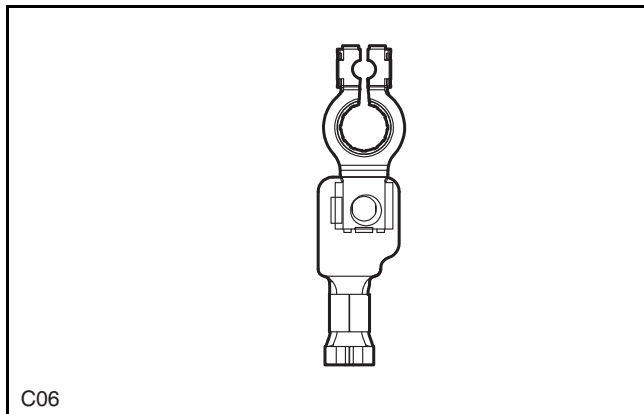


C05

C05 Wiring Harness Connector Pin Definition

Pin No.	Wire Diameter/Color	Function
1	0.3 GN/WH	Accelerator Pedal Position Sensor 2 Signal
2	0.3 YE/BK	5V Power Supply - Accelerator Pedal Position Sensor 2
3	0.3 VT/YE	5V Power Supply - Accelerator Pedal Position Sensor 1
4	0.3 PK/GN	Accelerator Pedal Position Sensor 1 Signal
5	0.3 YE/GN	Accelerator Pedal Position Sensor 1 Grounding
6	0.3 BN/WH	Accelerator Pedal Position Sensor 2 Grounding

Battery Negative

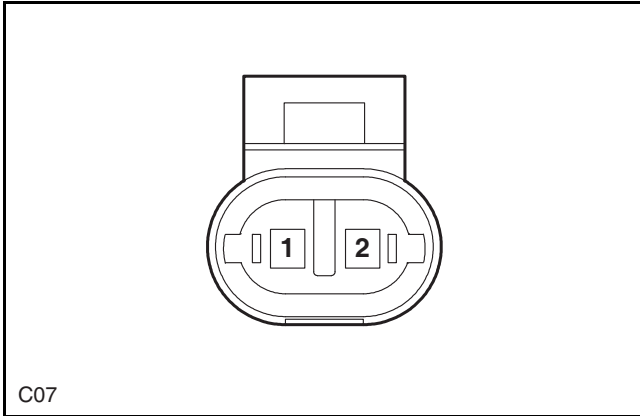


C06

C06 Wiring Harness Connector Pin Definition

Pin No.	Wire Diameter/Color	Function
1	20.0 RD	Battery Grounding

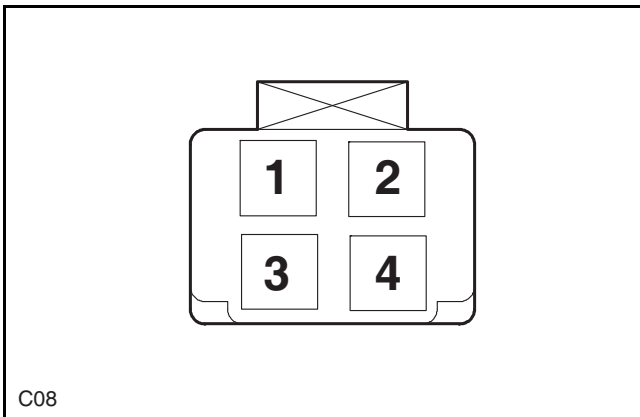
Brake Fluid Level Sensor



C07 Wiring Harness Connector Pin Definition

Pin No.	Wire Diameter/Color	Function
1	0.3 VT	Brake Fluid Level Signal
2	0.3 BK	Grounding

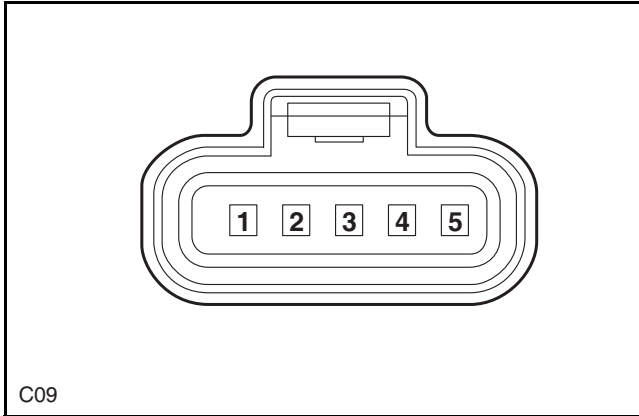
Brake Switch 2



C08 Wiring Harness Connector Pin Definition

Pin No.	Wire Diameter/Color	Function
1	0.5 RD/WH	Constant OFF Output Signal
2	0.5 BU/PK	IG1 Power Supply
3	0.75 BN/BK	Constant ON Output Signal
4	0.75 WH	Constant Power Supply

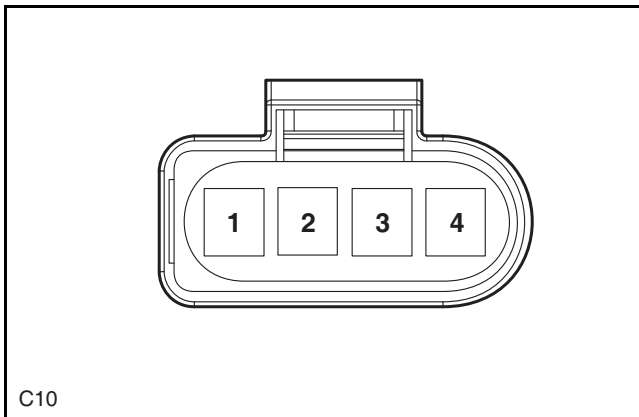
Clutch Stroke Sensor



C09 Wiring Harness Connector Pin Definition

Pin No.	Wire Diameter/Color	Function
1	0.5 BU	Clutch Stroke Sensor Power Supply
2	-	-
3	0.5 RD/GN	Clutch Stroke Sensor Signal
4	-	-
5	0.5 VT/PK	Clutch Stroke Sensor Grounding

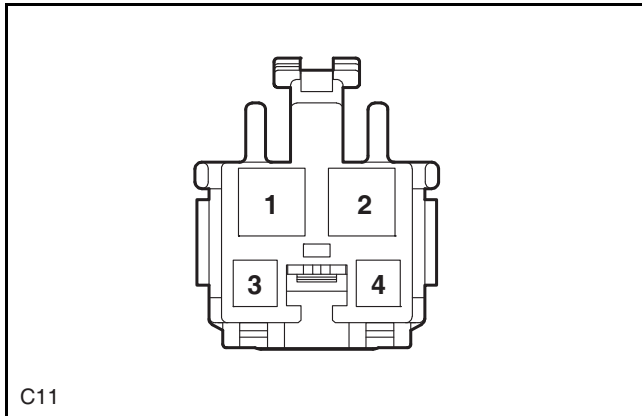
Wiper Motor



C10 Wiring Harness Connector Pin Definition

Pin No.	Wire Diameter/Color	Function
1	1.25 BU/RD	High Speed
2	1.25 VT/WH	Low Speed
3	0.5 BU/WH	Reset
4	1.25 BK	Grounding

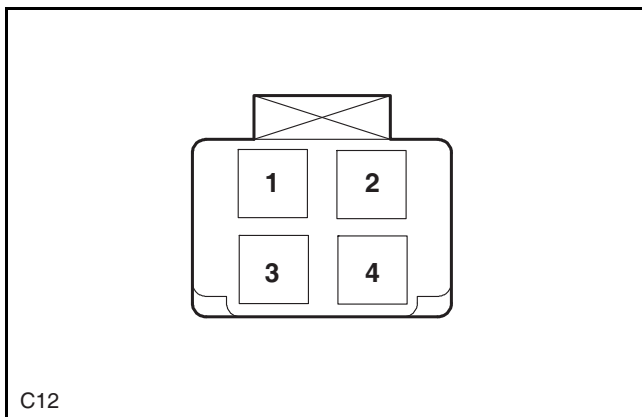
Clutch Top Switch



C11 Wiring Harness Connector Pin Definition

Pin No.	Wire Diameter/Color	Function
1	0.5 PK/BN	Clutch Top Switch Signal
2	0.5 BK	Grounding
3	-	-
4	-	-

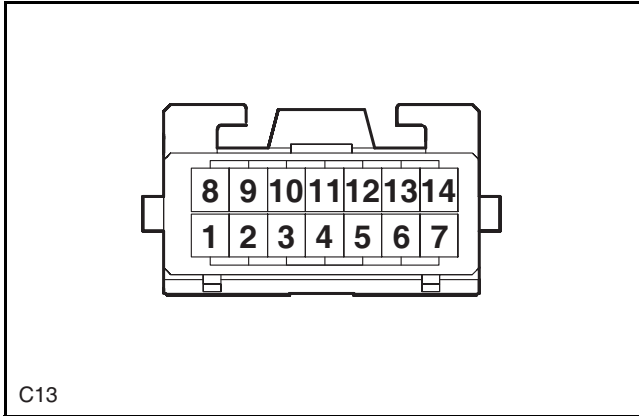
Clutch Lower Switch



C12 Wiring Harness Connector Pin Definition

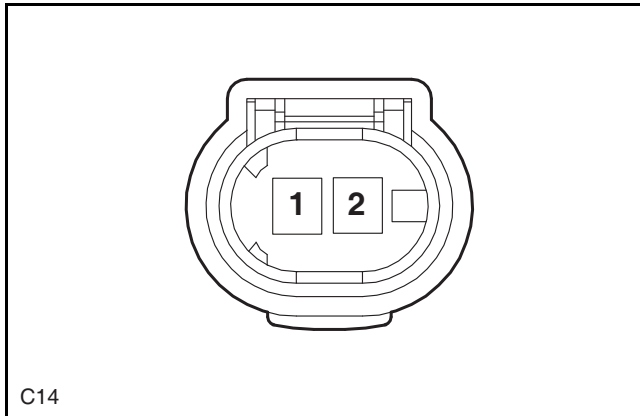
Pin No.	Wire Diameter/Color	Function
1	0.5 BK	Grounding
2	0.5 GN/YE	Clutch Lower Switch Signal
3	0.5 BK	Grounding
4	0.5 GN/WH	Clutch Lower Switch Signal

Engine Compartment CAN Breaker

**C13 Wiring Harness Connector Pin Definition**

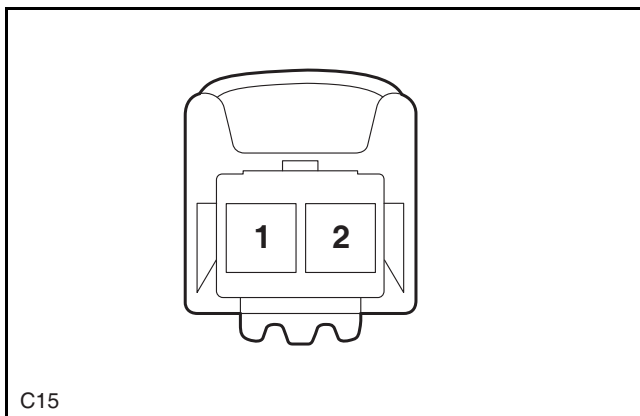
Pin No.	Wire Diameter/Color	Function
1	0.3 LG	Power PCAN-L to Self-adaptive Cruise
2	0.5 LG	Power PCAN-L to ESP
3	0.3 LG	Power PCAN-L to TCU
4	0.3 LG	Power PCAN-L to PCAN Short Circuiter
5	0.3 LG	Power PCAN-L to ECU
6	-	-
7	-	-
8	0.3 PK	Power PCAN-H to Self-adaptive Cruise
9	0.5 PK	Power PCAN-H to ESP
10	0.3 PK	Power PCAN-H to TCU
11	0.3 PK	Power PCAN-H to PCAN Short Circuiter
12	0.3 PK	Power PCAN-H to ECU
13	-	-
14	-	-

Left Front Wheel Speed Sensor

**C14 Wiring Harness Connector Pin Definition**

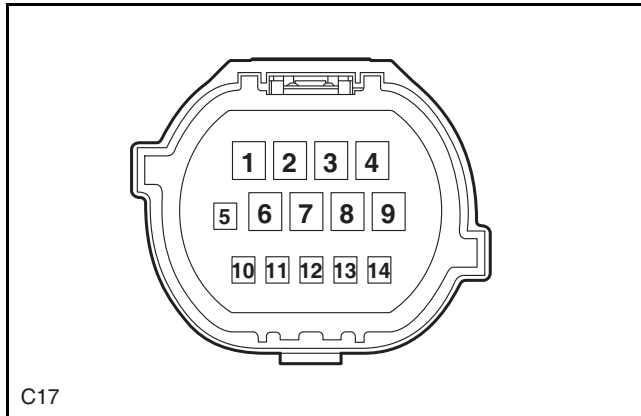
Pin No.	Wire Diameter/Color	Function
1	0.5 GN/OG	Left Front Wheel Speed Sensor Power Supply
2	0.5 GY/GN	Left Front Wheel Speed Sensor Signal

Left Front Fog Lamp

**C15 Wiring Harness Connector Pin Definition**

Pin No.	Wire Diameter/Color	Function
1	0.5 RD/GN	Left Front Fog Lamp Power Supply
2	0.5 BK	Grounding

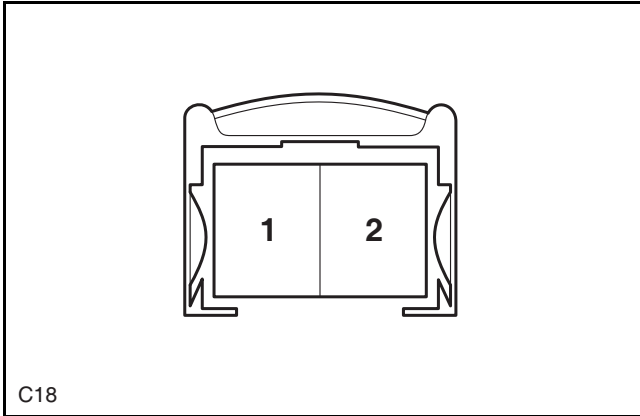
Left Front Combination Lamp



C17 Wiring Harness Connector Pin Definition

Pin No.	Wire Diameter/Color	Function
1	0.75 BK	Low Beam Lamp Grounding
2	0.75 BK	High Beam Lamp Grounding
3 (LEV2/3 Model)	0.75 GN/WH	Low Beam Lamp Power Supply
3 (MT LEV1 Model)	0.75 OG	Low Beam Lamp Power Supply
4	0.75 WH	High Beam Lamp Power Supply
5	0.5 OG/BK	Position Lamp Power Supply
6	0.5 BK	Grounding
7	0.5 WH/VT	Left Front Daytime Running Lamp Power Supply
8	-	-
9	-	-
10	0.5 BK	Adjustment Motor Grounding
11	0.3 GN/VT	Headlamp Leveling Signal
12 (LEV2/3 Model)	0.5 GN/WH	Adjustment Motor Power Supply
12 (MT LEV1 Model)	0.75 OG	Adjustment Motor Power Supply
13	0.3 OG/BU	Front Turn Lamp Feedback
14	0.5 RD/BU	Left Front Turn Lamp Power Supply

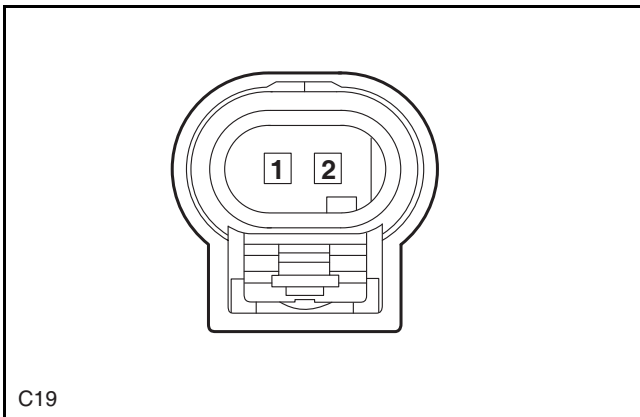
Electric Horn 2



C18 Wiring Harness Connector Pin Definition

Pin No.	Wire Diameter/Color	Function
1	0.75 BN/WH	Horn 2 Power Supply
2	0.75 BK	Grounding

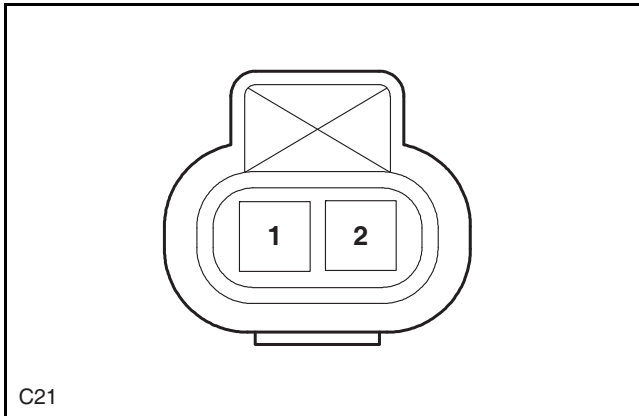
Left Front Collision Sensor



C19 Wiring Harness Connector Pin Definition

Pin No.	Wire Diameter/Color	Function
1	0.5 GN/YE	Left Front Collision Sensor Positive
2	0.5 GY/YE	Left Front Collision Sensor Negative

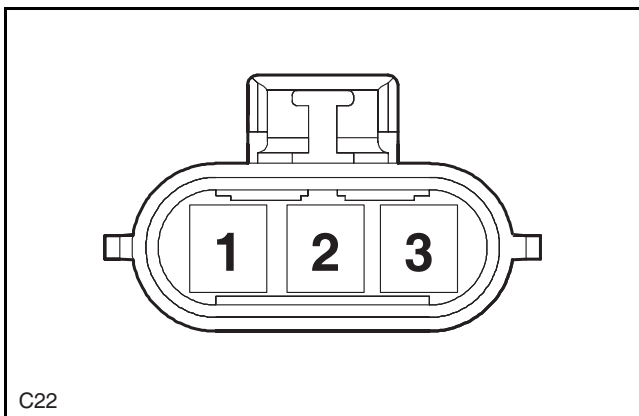
Outside Temperature Sensor



C21 Wiring Harness Connector Pin Definition

Pin No.	Wire Diameter/Color	Function
1	0.3 WH/RD	Outside Temperature Sensor Input
2	0.3 BU/RD	Room Temperature Sensor Grounding

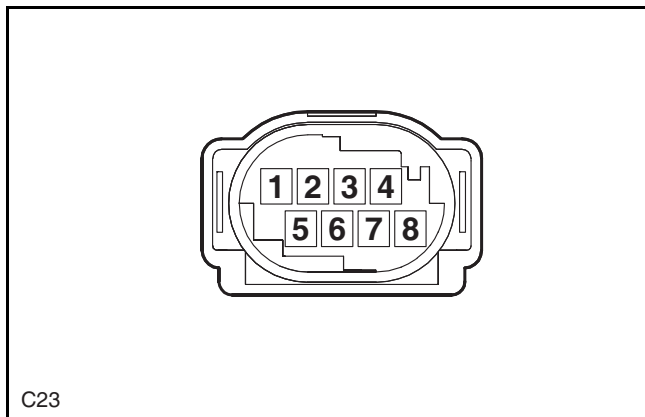
Cooling Fan



C22 Wiring Harness Connector Pin Definition

Pin No.	Wire Diameter/Color	Function
1	5.0 BK	Grounding
2	4.0 WH	Low Speed Fan Power Supply
3	5.0 YE	High Speed Fan Power Supply

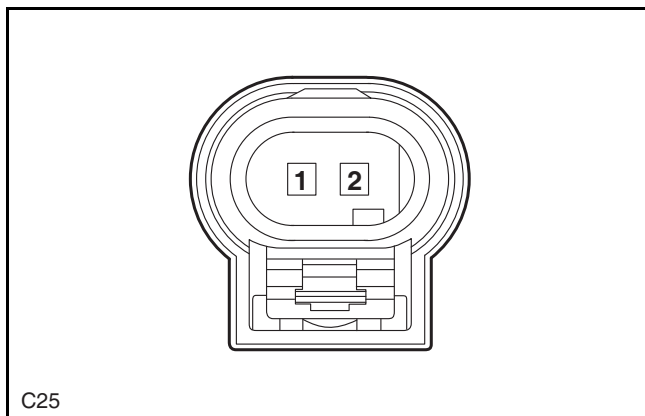
Self-adaptive Cruise Controller



C23 Wiring Harness Connector Pin Definition

Pin No.	Wire Diameter/Color	Function
1	0.5 BK	Grounding
2	0.3 PK	Power PCAN-H
3	0.3 LG	Power PCAN-L
4	-	-
5	-	-
6	-	-
7	-	-
8	0.5 OG/WH	IG1 Power Supply

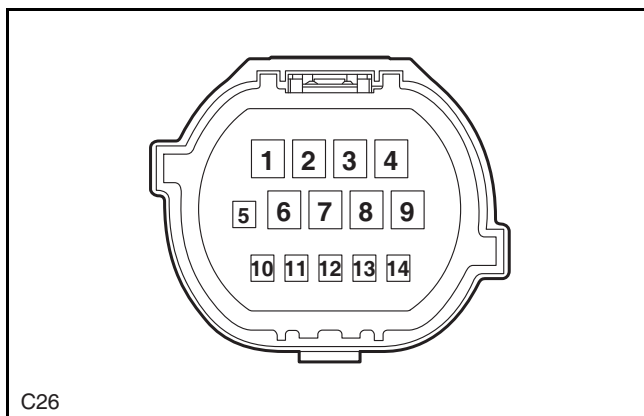
Right Front Collision Sensor



C25 Wiring Harness Connector Pin Definition

Pin No.	Wire Diameter/Color	Function
1	0.5 GN/WH	Right Front Collision Sensor Positive
2	0.5 GY/BU	Right Front Collision Sensor Negative

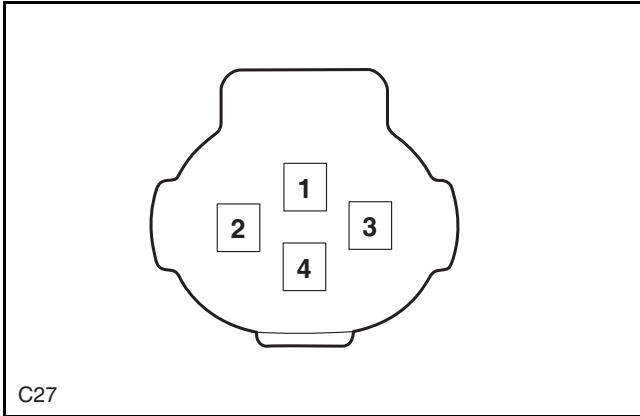
Right Front Combination Lamp



C26 Wiring Harness Connector Pin Definition

Pin No.	Wire Diameter/Color	Function
1	0.75 BK	Low Beam Lamp Grounding
2	0.75 BK	High Beam Lamp Grounding
3	0.75 OG	Low Beam Lamp Power Supply
4	0.75 WH	High Beam Lamp Power Supply
5	0.5 VT/WH	Position Lamp Power Supply
6	0.5 BK	Grounding
7 (LEV2/3 Model)	0.5 VT	Right Front Daytime Running Lamp Power Supply
7 (MT LEV1 Model)	0.5 RD/YE	Right Front Daytime Running Lamp Power Supply
8	-	-
9	-	-
10	0.5 BK	Headlamp Adjustment Motor Grounding
11	0.3 GN/VT	Headlamp Leveling Signal
12	0.5 OG	Headlamp Adjustment Motor Power Supply
13	0.3 OG/BU	Front Turn Lamp Feedback
14	0.5 RD/WH	Right Front Turn Lamp Power Supply

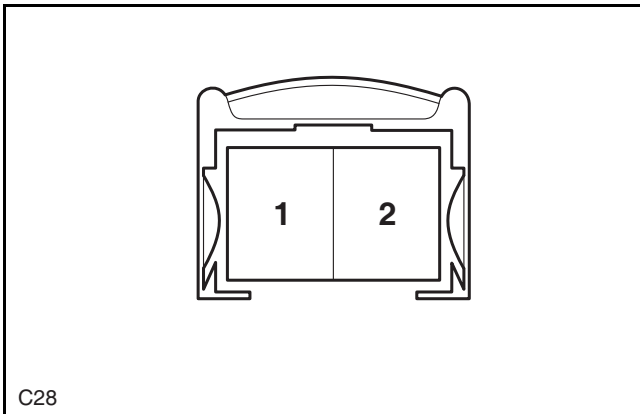
3-State Pressure Switch



C27 Wiring Harness Connector Pin Definition

Pin No.	Wire Diameter/Color	Function
1	0.3 BK	Grounding
2	0.3 BK	Grounding
3	0.3 PK/BU	A/C Medium Pressure Switch
4	0.3 GN/BU	Air Conditioning System Operating Condition

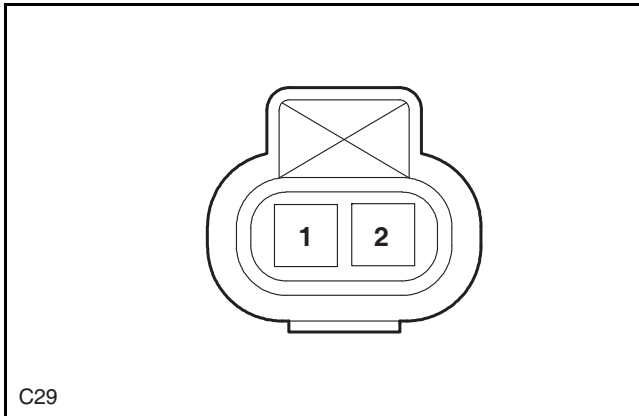
Electric Horn 1



C28 Wiring Harness Connector Pin Definition

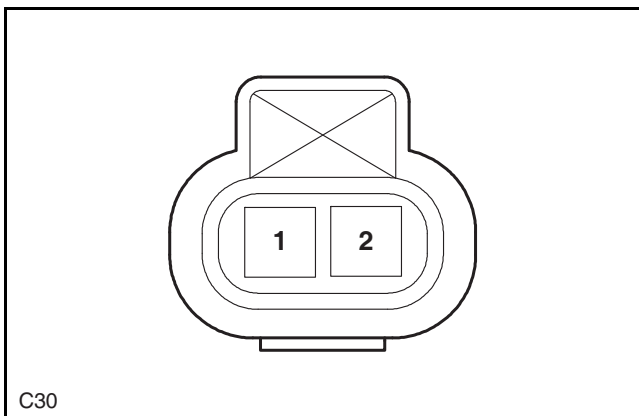
Pin No.	Wire Diameter/Color	Function
1	0.75 BN/WH	Horn 1 Power Supply
2	0.75 BK	Grounding

Rear Washer Motor

**C29 Wiring Harness Connector Pin Definition**

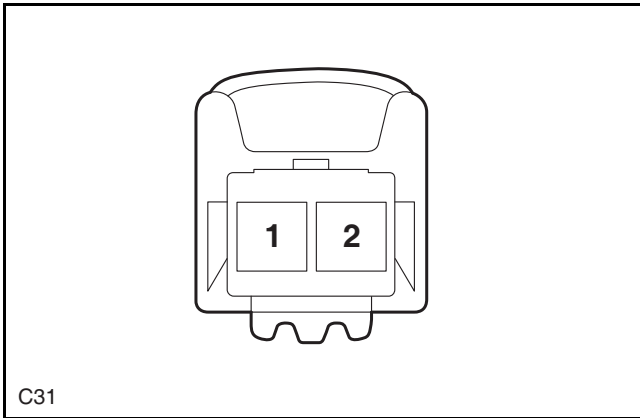
Pin No.	Wire Diameter/Color	Function
1	0.5 BU/RD	Rear Washer Motor Positive
2	0.5 BK	Grounding

Front Washer Motor

**C30 Wiring Harness Connector Pin Definition**

Pin No.	Wire Diameter/Color	Function
1	0.5 YE/BN	Front Washer Motor Positive
2	0.5 BK	Grounding

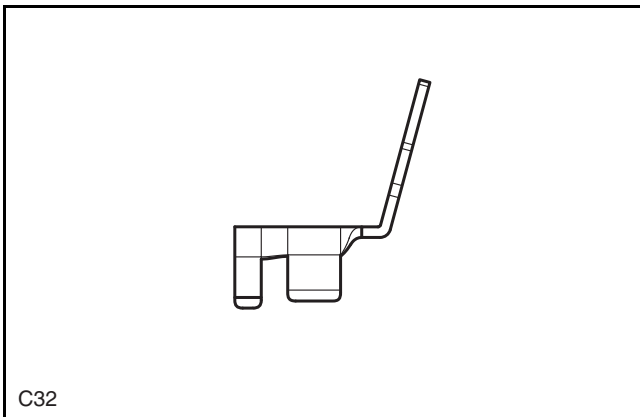
Right Front Fog Lamp



C31 Wiring Harness Connector Pin Definition

Pin No.	Wire Diameter/Color	Function
1	0.5 BU	Right Front Fog Lamp Power Supply
2	0.5 BK	Grounding

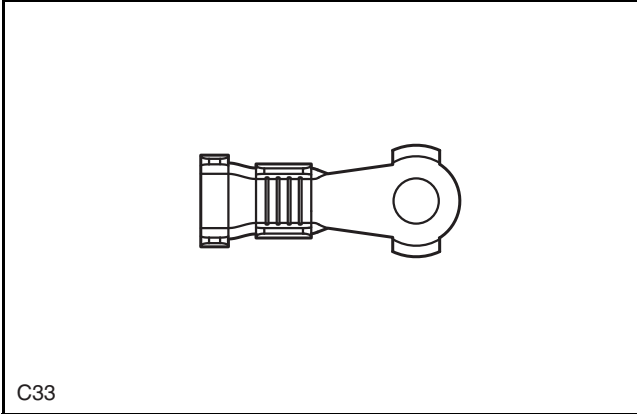
Starting Motor Power Supply



C32 Wiring Harness Connector Pin Definition

Pin No.	Wire Diameter/Color	Function
1	25.0 RD	Starting Motor Power Supply

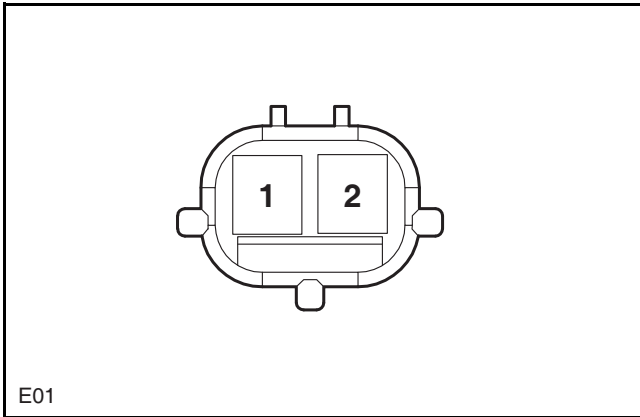
Alternator Power Supply

**C33 Wiring Harness Connector Pin Definition**

Pin No.	Wire Diameter/Color	Function
1	25.0 RD	Alternator Power Supply

Engine Wiring Harness Connector (E--)

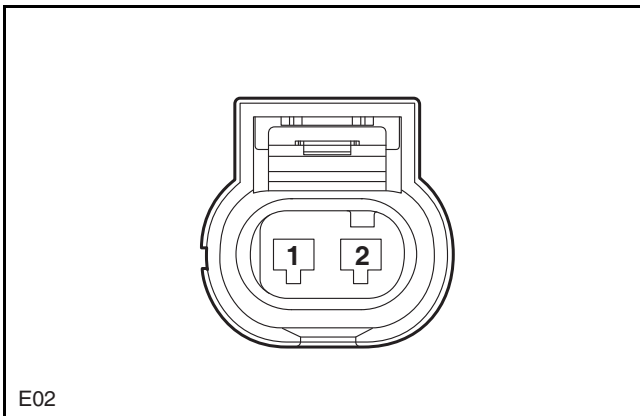
Compressor



E01 Wiring Harness Connector Pin Definition

Pin No.	Wire Diameter/Color	Function
1	1.25 RD/WH	Compressor Power Supply
2	-	-

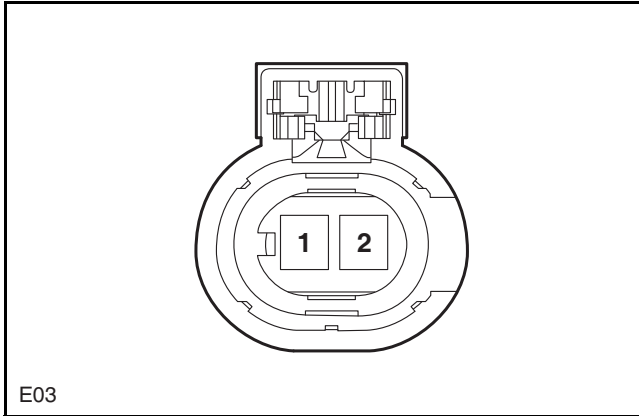
Variable Oil Pump



E02 Wiring Harness Connector Pin Definition

Pin No.	Wire Diameter/Color	Function
1	0.5 GN/RD	Variable Oil Pump Control
2	0.75 WH/YE	Variable Oil Pump Power Supply

OCV Exhaust Valve

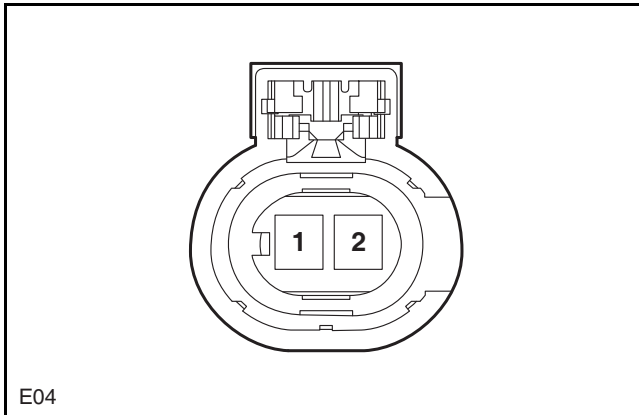


E03

E03 Wiring Harness Connector Pin Definition

Pin No.	Wire Diameter/Color	Function
1	0.5 BU/BN	OCV Exhaust Valve Control
2	0.5 WH/YE	OCV Exhaust Valve Power Supply

OCV Intake Valve

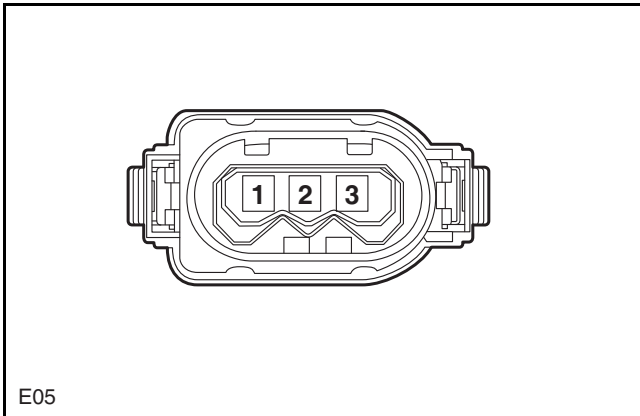


E04

E04 Wiring Harness Connector Pin Definition

Pin No.	Wire Diameter/Color	Function
1	0.5 GN/WH	OCV Intake Valve Control
2	0.5 WH/YE	OCV Intake Valve Power Supply

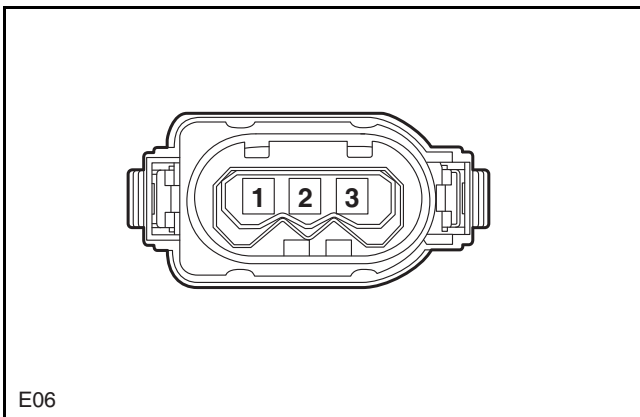
Ignition Coil 1



E05 Wiring Harness Connector Pin Definition

Pin No.	Wire Diameter/Color	Function
1	1.25 BK/YE	Power Supply
2	1.25 BK	Grounding
3	1.25 PK/BU	Ignition Signal

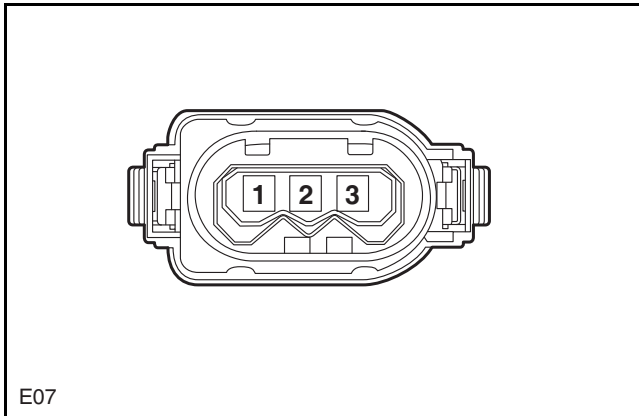
Ignition Coil 2



E06 Wiring Harness Connector Pin Definition

Pin No.	Wire Diameter/Color	Function
1	1.25 BK/YE	Power Supply
2	1.25 BK	Grounding
3	1.25 LG/WH	Ignition Signal

Ignition Coil 3

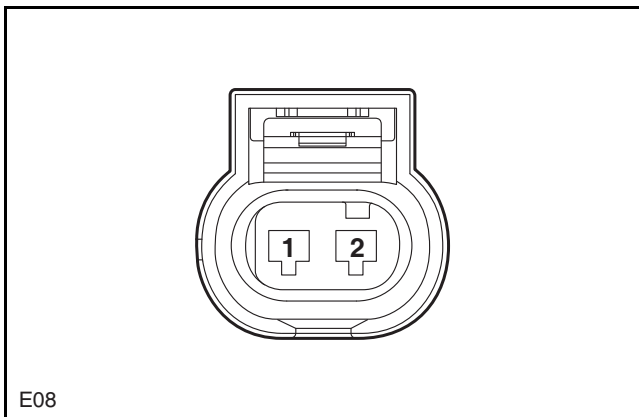


E07

E07 Wiring Harness Connector Pin Definition

Pin No.	Wire Diameter/Color	Function
1	1.25 BK/YE	Power Supply
2	1.25 BK	Grounding
3	1.25 WH	Ignition Signal

High Pressure Oil Pump

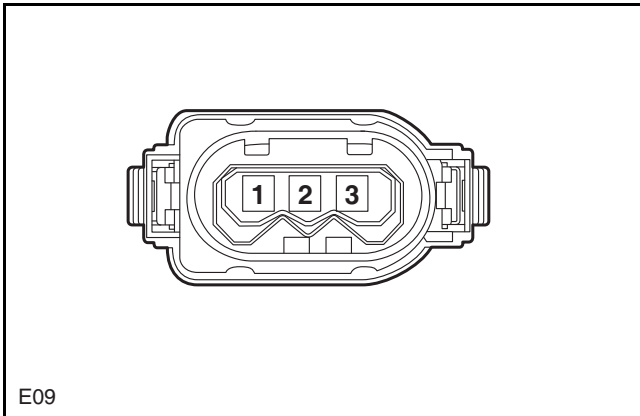


E08

E08 Wiring Harness Connector Pin Definition

Pin No.	Wire Diameter/Color	Function
1	0.85 GN/WH	High Voltage Oil Pump Control Valve Grounding
2	0.85 RD/BU	High Voltage Oil Pump Control Valve Power Supply

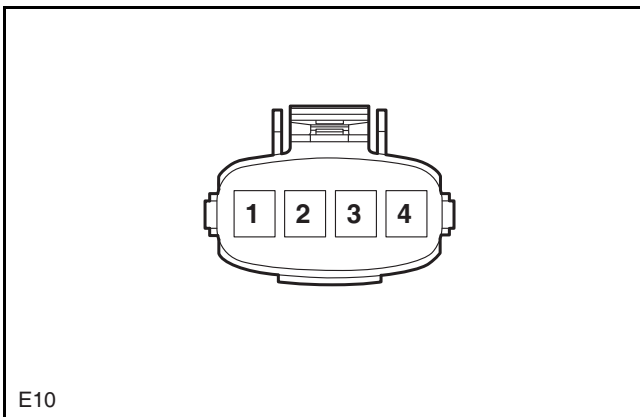
Ignition Coil 4



E09 Wiring Harness Connector Pin Definition

Pin No.	Wire Diameter/Color	Function
1	1.25 BK/YE	Power Supply
2	1.25 BK	Grounding
3	1.25 GN	Ignition Signal

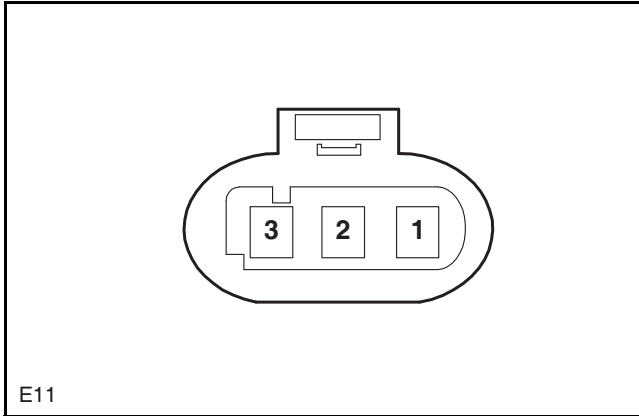
Air Intake Temperature/Pressure Sensor



E10 Wiring Harness Connector Pin Definition

Pin No.	Wire Diameter/Color	Function
1	0.5 BK/BU	Air Intake Temperature/Pressure Sensor Grounding
2	0.5 YE	Air Intake Temperature Signal Output
3	0.5 BK/YE	Air Intake Temperature/Pressure Sensor Power Supply
4	0.5 WH/GN	Air Intake Pressure Voltage Output

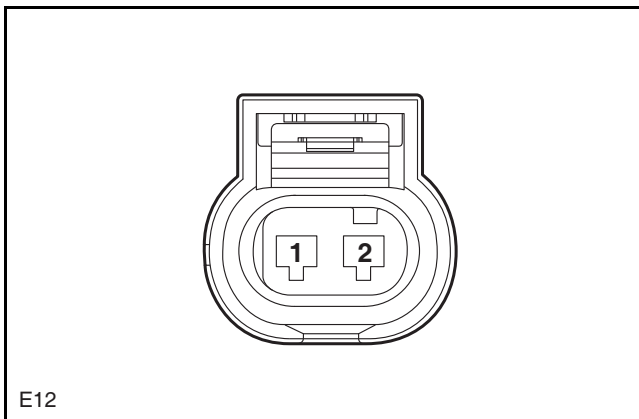
Fuel Pressure Sensor



E11 Wiring Harness Connector Pin Definition

Pin No.	Wire Diameter/Color	Function
1	0.5 GY/GN	Fuel Pressure Sensor Power Supply
2	0.5 GY/YE	Fuel Pressure Sensor Signal
3	0.85 YE/RD	Fuel Pressure Sensor Grounding

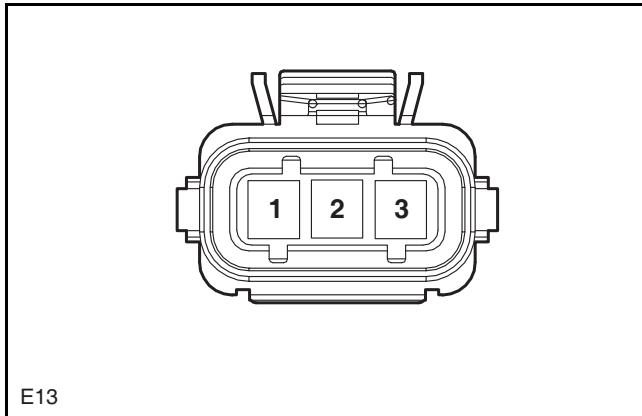
Canister Control Valve



E12 Wiring Harness Connector Pin Definition

Pin No.	Wire Diameter/Color	Function
1	0.5 BU/YE	Canister Control Valve Control
2	0.5 WH/YE	Canister Control Valve Power Supply

Intake Camshaft Phase Sensor

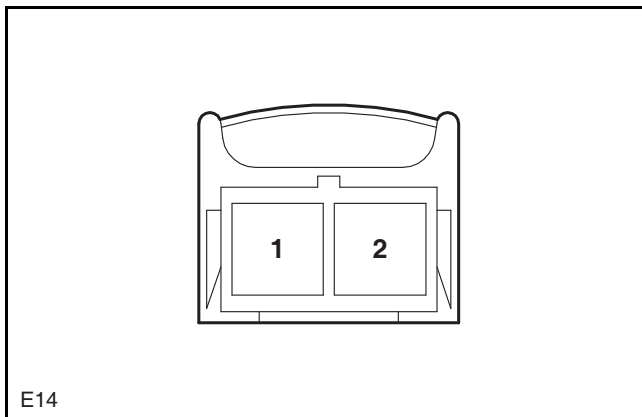


E13

E13 Wiring Harness Connector Pin Definition

Pin No.	Wire Diameter/Color	Function
1	0.5 WH/BK	Intake Camshaft Sensor Grounding
2	0.5 RD/GN	Intake Camshaft Sensor Signal
3	0.5 RD/BU	Intake Camshaft Sensor Power Supply

Coolant Temperature Sensor

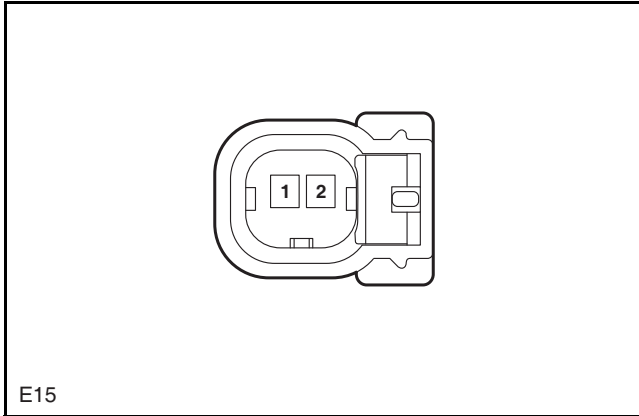


E14

E14 Wiring Harness Connector Pin Definition

Pin No.	Wire Diameter/Color	Function
1	0.5 BK/BU	Coolant Temperature Sensor Grounding
2	0.5 GY/BK	Coolant Temperature Sensor Power Supply

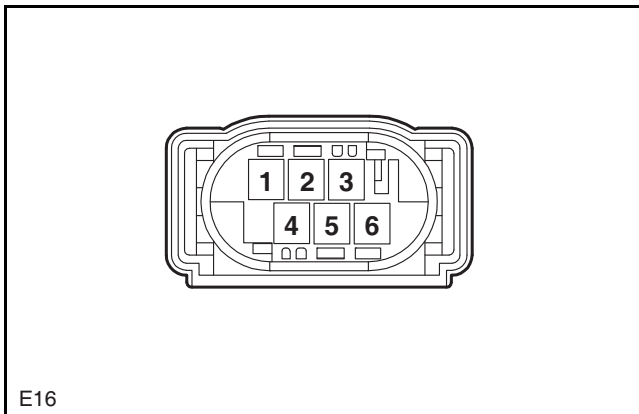
Fuel Injector 4



E15 Wiring Harness Connector Pin Definition

Pin No.	Wire Diameter/Color	Function
1	0.85 YE/GN	Fuel Injector 4 Power Supply
2	0.85 PK	Fuel Injector 4 Control Signal

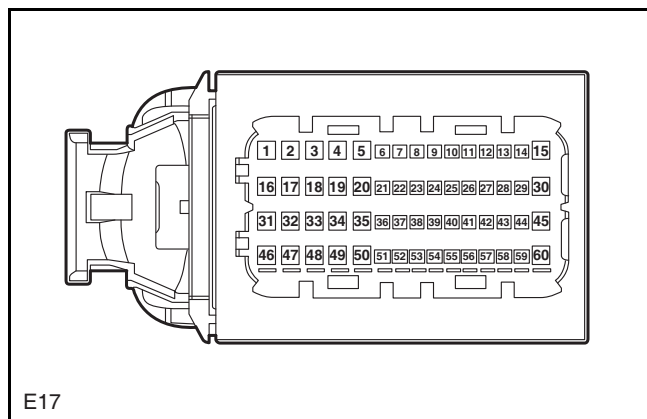
Electronic Throttle Valve



E16 Wiring Harness Connector Pin Definition

Pin No.	Wire Diameter/Color	Function
1	0.85 WH/YE	Motor Negative
2	0.5 WH	Sensor Negative
3	0.5 WH/GN	Sensor Positive
4	0.85 PK	Motor Positive
5	0.5 RD	Electronic Throttle Valve 2 Signal
6	0.5 GN	Electronic Throttle Valve 1 Signal

ECU-B

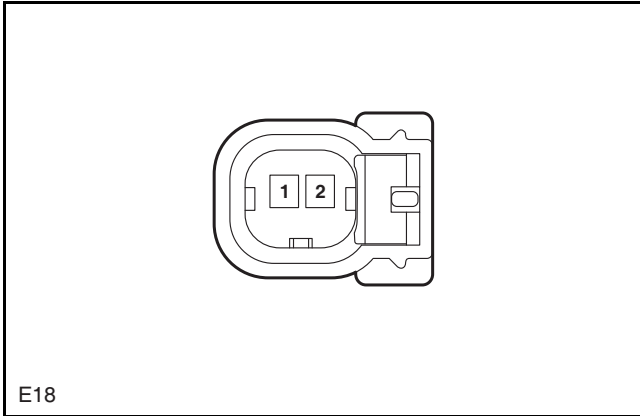


E17 Wiring Harness Connector Pin Definition

Pin No.	Wire Diameter/Color	Function
1	0.85 RD/GN	Fuel Injector 1 Power Supply
2	0.85 PK/WH	Fuel Injector 3 Power Supply
3	1.25 GN	Ignition Coil 4 Control Signal
4	1.25 PK/BU	Ignition Coil 1 Control Signal
5	1.25 LG/WH	Ignition Coil 2 Control Signal
6	-	-
7	0.5 WH	Electronic Throttle Valve Sensor Negative
8	0.5 WH/BK	Sensor Grounding
9	0.5 YE	Air Intake Temperature Signal Output
10	0.5 BU	Crankshaft Position Sensor Positive
11	0.5 VT	Crankshaft Position Sensor Negative
12	-	-
13	-	-
14	0.5 BU/YE	Canister Control Valve Control Signal
15	0.85 WH/YE	Electronic Throttle Valve Motor Negative
16	0.85 YE/GN	Fuel Injector 4 Power Supply
17	0.85 WH	Fuel Injector 2 Power Supply
18	1.25 RD/BU	Sensor Power Supply
19	0.85 YE/RD	Fuel Pressure Sensor Grounding
20	1.25 WH	Ignition Coil 3 Control Signal
21	-	-
22	-	-
23	-	-
24	0.5 GY/BK	Coolant Temperature Sensor Power Supply
25	0.5 WH/GN	Air Intake Pressure Voltage Output
26	0.5 RD	Electronic Throttle Valve 2 Signal

27	0.5 GN	Electronic Throttle Valve 1 Signal
28	-	-
29	-	-
30	0.85 PK	Electronic Throttle Valve Motor Positive
31	1.25 BK/YE	Sensor Power Supply
32	0.5 WH/GN	Electronic Throttle Valve Sensor Positive
33	1.25 BK/BU	Sensor Grounding
34	-	-
35	0.85 RD/BU	Fuel Injector 1 Control Signal
36	0.5 GY/GN	Fuel Pressure Sensor Power Supply
37	-	-
38	0.5 OG/BU	Brake Vacuum Sensor Signal
39 (AT)	0.5 WH	Knock Signal Output 1
39 (MT)	0.5 RD	Knock Signal Output 1
40 (AT)	0.5 OG	Knock Signal Output 2
40 (MT)	0.5 GN	Knock Signal Output 2
41	-	-
42	0.5 RD/GN	Intake Camshaft Sensor Signal
43	0.5 YE/BK	Exhaust Camshaft Sensor Signal
44	0.5 BU/BN	OCV Exhaust Valve Control Signal
45	-	-
46	0.85 GN/WH	High Voltage Oil Pump Control Valve Grounding
47	0.85 WH/YE	Fuel Injector 2 Control Signal
48	0.85 RD/BU	High Voltage Oil Pump Control Valve Power Supply
49	0.85 PK	Fuel Injector 4 Control Signal
50	0.85 BU/BK	Fuel Injector 3 Control Signal
51	0.5 GY/YE	Fuel Pressure Sensor Signal
52	-	-
53	-	-
54	-	-
55	-	-
56	-	-
57	-	-
58	0.5 GN/WH	OCV Intake Valve Control Signal
59	-	-
60	-	-

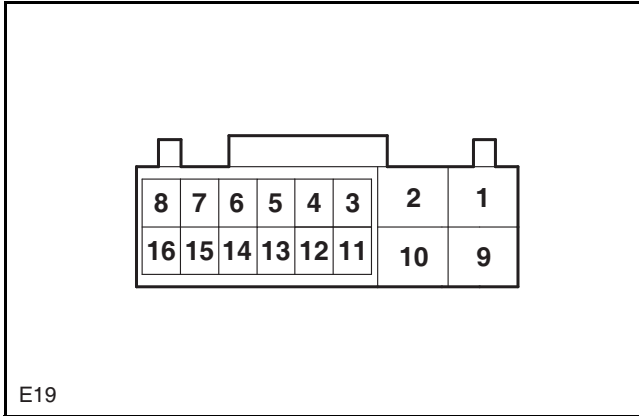
Fuel Injector 3



E18 Wiring Harness Connector Pin Definition

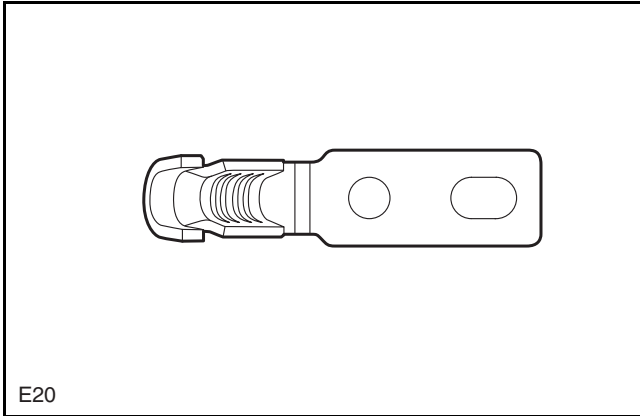
Pin No.	Wire Diameter/Color	Function
1	0.85 PK/WH	Fuel Injector 3 Power Supply
2	0.85 BU/BK	Fuel Injector 3 Control Signal

TCU (AT)

**E19 Wiring Harness Connector Pin Definition**

Pin No.	Wire Diameter/Color	Function
1	1.25 WH/RD	Constant Power Supply
2	-	-
3	0.5 VT/WH	Manual Shift-up
4	0.5 BU	Manual Shift-down
5	0.5 BN/YE	P/N Position Signal
6	0.5 PK	PCAN-L
7	0.5 WH	Sport Mode
8	-	-
9	1.25 BK	Grounding
10	-	-
11	0.5 BU/BN	IG1 Power Supply
12	-	-
13	0.5 YE/GN	Reverse Signal
14	0.5 LG	PCAN-H
15	-	-
16	-	-

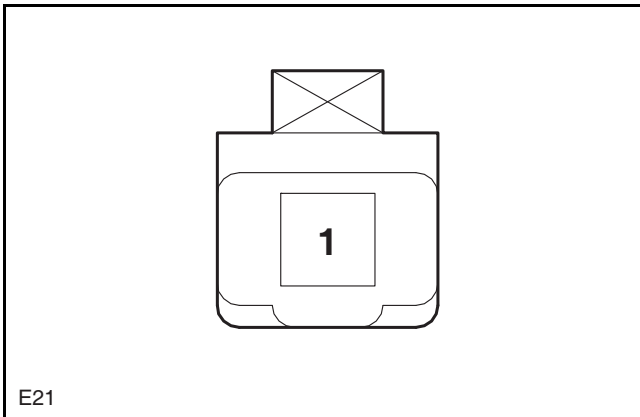
Transmission Grounding



E20 Wiring Harness Connector Pin Definition

Pin No.	Wire Diameter/Color	Function
1	20.0 BK	Transmission Grounding

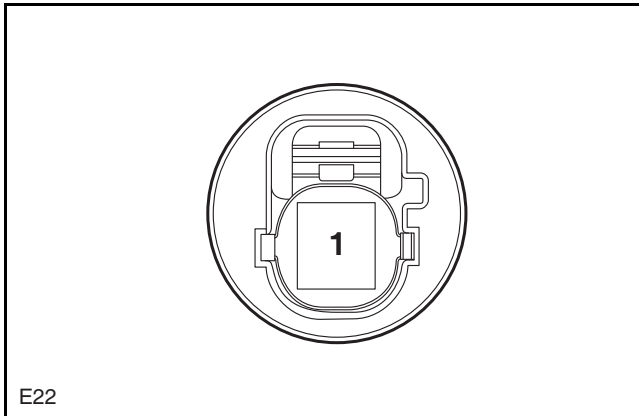
Starting Motor



E21 Wiring Harness Connector Pin Definition

Pin No.	Wire Diameter/Color	Function
1	2.0 RD	Starting Motor Signal

Oil Pressure Warning Switch

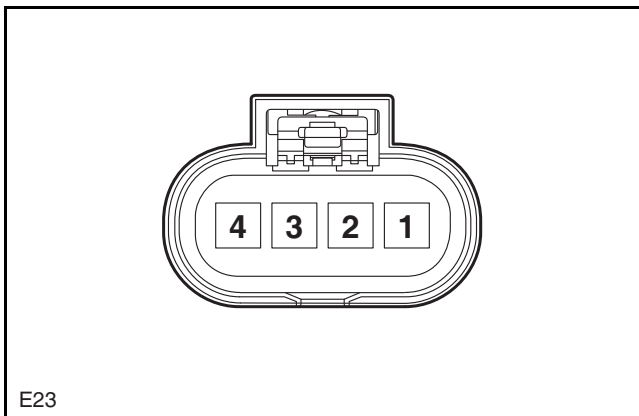


E22

E22 Wiring Harness Connector Pin Definition

Pin No.	Wire Diameter/Color	Function
1	0.5 YE	Oil Pressure Warning Signal

Rear Oxygen Sensor

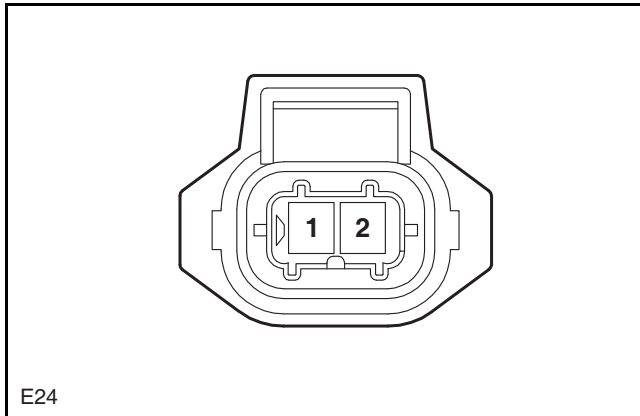


E23

E23 Wiring Harness Connector Pin Definition

Pin No.	Wire Diameter/Color	Function
1	0.85 YE/RD	Rear Oxygen Sensor Signal
2	0.85 GY/BK	Rear Oxygen Sensor Signal
3	0.85 WH/YE	Rear Oxygen Sensor Heater Power Supply
4	0.85 WH/YE	Rear Oxygen Sensor Heater Control

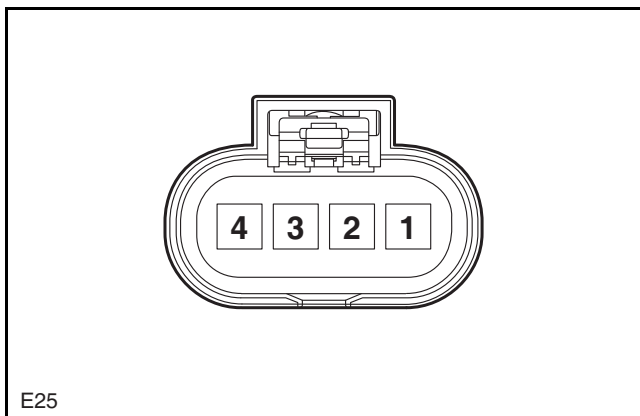
Crankshaft Position Sensor



E24 Wiring Harness Connector Pin Definition

Pin No.	Wire Diameter/Color	Function
1	0.5 BU	Crankshaft Position Sensor Positive
2	0.5 VT	Crankshaft Position Sensor Negative

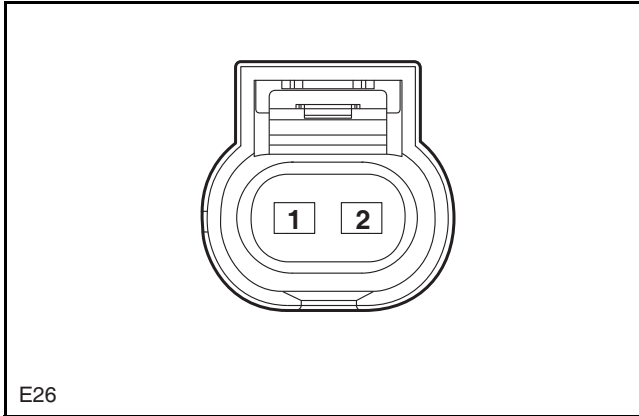
Front Oxygen Sensor



E25 Wiring Harness Connector Pin Definition

Pin No.	Wire Diameter/Color	Function
1	0.85 RD/BK	Front Oxygen Sensor Signal
2	0.85 PK	Front Oxygen Sensor Signal
3	0.85 WH/YE	Front Oxygen Sensor Heater Power Supply
4	0.85 RD/BU	Front Oxygen Sensor Heater Control

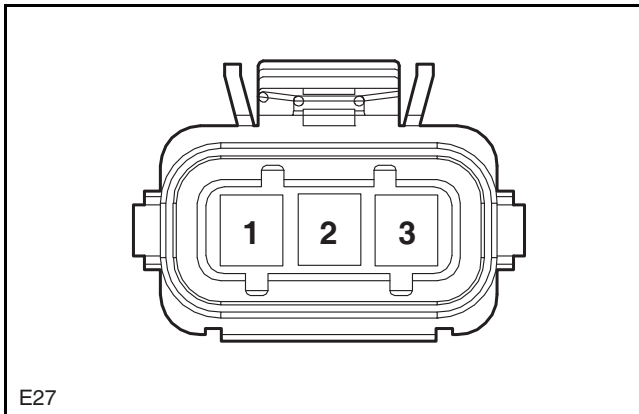
Knock Sensor



E26 Wiring Harness Connector Pin Definition

Pin No.	Wire Diameter/Color	Function
1 (AT)	0.5 WH	Knock Signal Output 1
1 (MT)	0.5 RD	Knock Signal Output 1
2 (AT)	0.5 OG	Knock Signal Output 2
2 (MT)	0.5 GN	Knock Signal Output 2

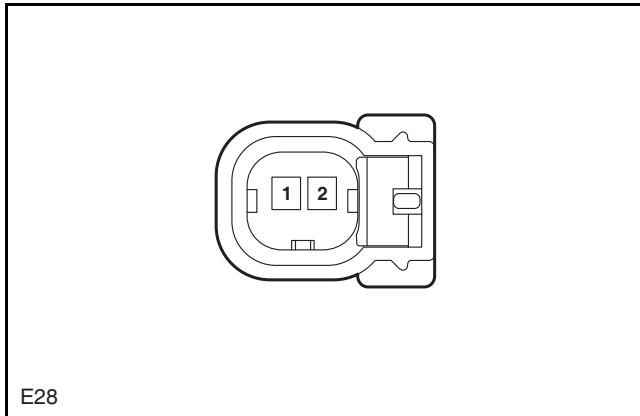
Exhaust Camshaft Phase Sensor



E27 Wiring Harness Connector Pin Definition

Pin No.	Wire Diameter/Color	Function
1	0.5 WH/BK	Exhaust Camshaft Sensor Grounding
2	0.5 YE/BK	Exhaust Camshaft Sensor Signal
3	0.5 RD/BU	Exhaust Camshaft Sensor Power Supply

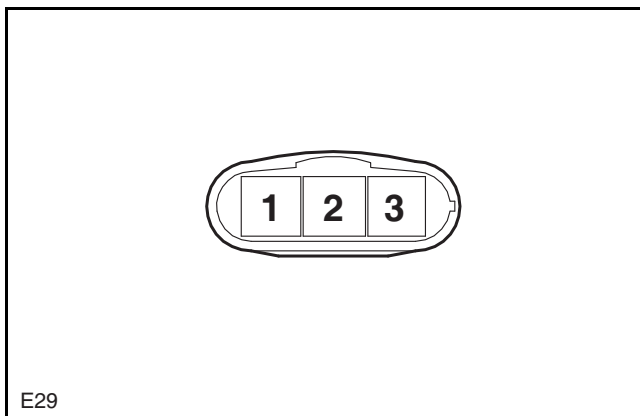
Fuel Injector 2



E28 Wiring Harness Connector Pin Definition

Pin No.	Wire Diameter/Color	Function
1	0.85 WH	Fuel Injector 2 Power Supply
2	0.85 WH/YE	Fuel Injector 2 Control Signal

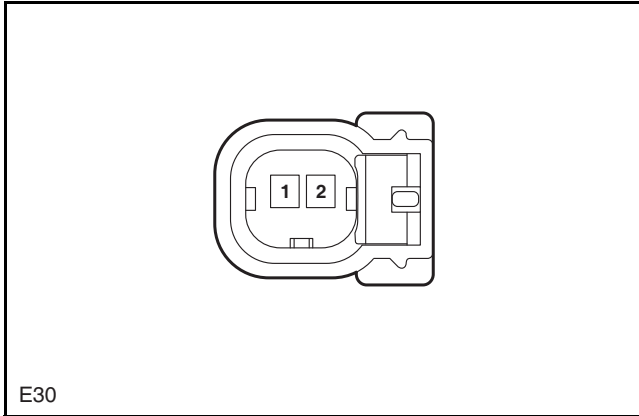
Alternator



E29 Wiring Harness Connector Pin Definition

Pin No.	Wire Diameter/Color	Function
1	0.5 GY	Battery Indicator
2	0.85 WH	Alternator Excitation
3	-	-

Fuel Injector 1

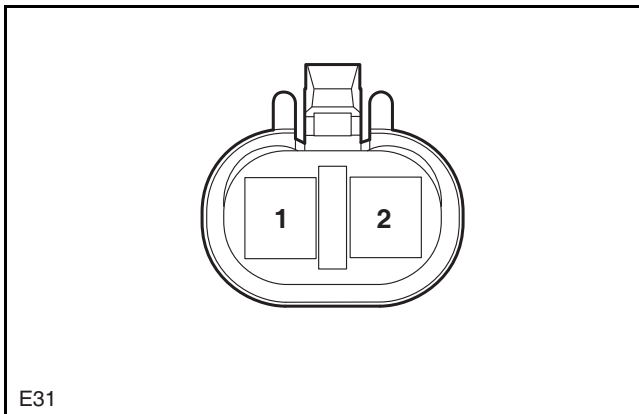


E30

E30 Wiring Harness Connector Pin Definition

Pin No.	Wire Diameter/Color	Function
1	0.85 RD/GN	Fuel Injector 1 Power Supply
2	0.85 RD/BU	Fuel Injector 1 Control Signal

Backup Lamp Switch (MT)

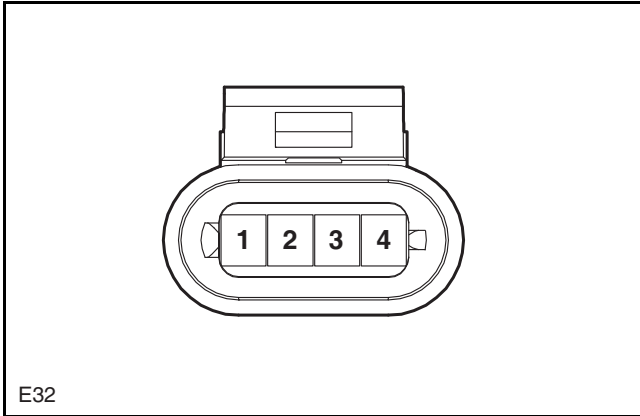


E31

E31 Wiring Harness Connector Pin Definition

Pin No.	Wire Diameter/Color	Function
1	0.5 BK	Grounding
2	0.5 BK/GN	Reverse Signal

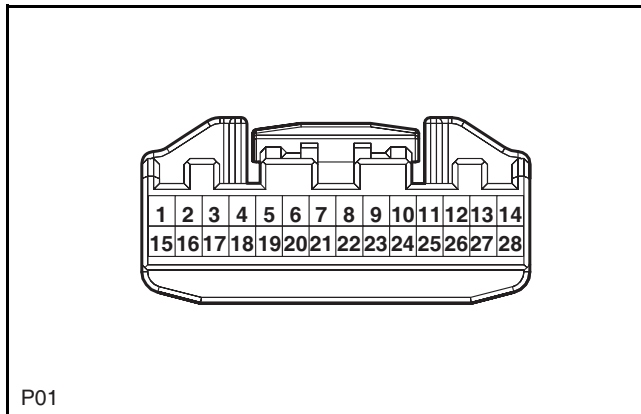
Neutral Sensor (MT)

**E32 Wiring Harness Connector Pin Definition**

Pin No.	Wire Diameter/Color	Function
1	0.5 BN/YE	Neutral Signal
2	0.5 BN/BU	Neutral Signal
3	0.5 BK	Grounding
4	0.5 WH/YE	Neutral Sensor Power Supply

Instrument Panel Wiring Harness Connector (P--)

Instrument Panel Switch Box

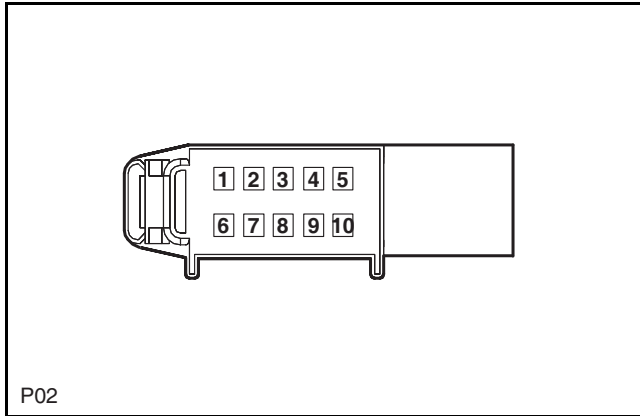


P01 Wiring Harness Connector Pin Definition

Pin No.	Wire Diameter/Color	Function
1	0.5 YE/GN	Rearview Mirror Motor Common Terminal
2	0.3 LG	Right Outside Rearview Mirror Up-Down Adjustment Motor
3	0.3 BK/WH	Left Outside Rearview Mirror Up-Down Adjustment Motor
4	0.3 BU/BN	Right Outside Rearview Mirror Left-Right Adjustment Motor
5	0.3 BU	Left Outside Rearview Mirror Left-Right Adjustment Motor
6	0.3 BU	Folding Control Signal
7	0.3 OG	ESP Switch
8	0.3 BK	Grounding
9	0.5 RD/YE	Background Lamp
10	0.3 BK	Grounding
11	-	-
12	0.5 BU/WH	Headlight Adjustment Power Supply
13	0.3 BK	Headlamp Leveling Grounding
14	0.3 GN/VT	Headlamp Adjustment Output
15	0.3 GY	ACC Power Supply
16	0.5 BK	Grounding
17	-	-
18	-	-
19	-	-
20	-	-
21	-	-
22	-	-
23	-	-
24	0.5 BK	Grounding
25	-	-

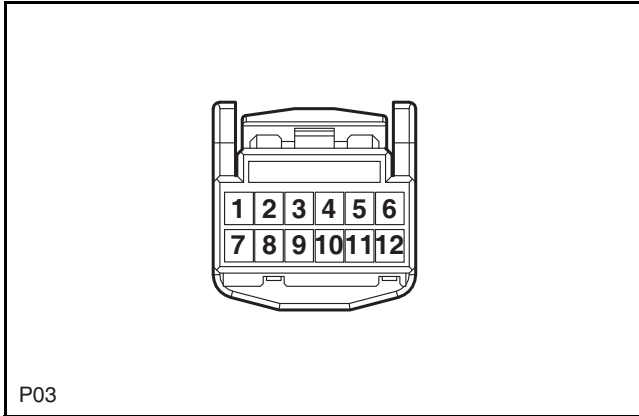
Pin No.	Wire Diameter/Color	Function
26	0.3 BN/OG	HDC Switch
27	-	-
28	-	-

Combination Switch - Lamp

**P02 Wiring Harness Connector Pin Definition**

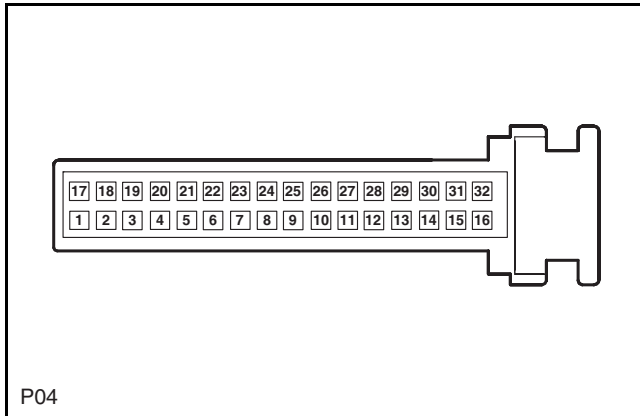
Pin No.	Wire Diameter/Color	Function
1	0.3 GN/YE	Front Fog Lamp Switch
2	0.3 OG/BN	Rear Fog Lamp Switch
3	0.3 PK/GN	High Beam Switch
4	0.3 BN/GN	Overtaking Lamp Switch
5	0.3 BN/YE	Right Turn Lamp Switch
6	0.3 PK	Small Lamp Switch
7	0.3 BK	Grounding
8	0.3 YE/RD	Automatic Light Switch
9	0.3 GN/OG	Low Beam Switch
10	0.3 VT/WH	Left Turn Lamp Switch

Rotary Connector - Multi-functional Switch

**P03 Wiring Harness Connector Pin Definition**

Pin No.	Wire Diameter/Color	Function
1	0.3 VT/WH	Steering Wheel Entertainment Control 1
2	0.3 GN	Steering Wheel Entertainment Control Grounding
3	0.3 GN/OG	Steering Wheel Entertainment Control 2
4	0.5 GY/BU	Horn Switch Power Supply
5	0.5 RD/YE	Background Lamp
6	0.5 BK	Grounding
7	0.5 WH	Multi-functional Switch -
8	0.5 BU/RD	Multi-functional Switch +
9	-	-
10	-	-
11	0.3 WH/YE	Cruise Switch Input
12	0.3 WH/GN	Cruise Switch Output

Instrument Cluster

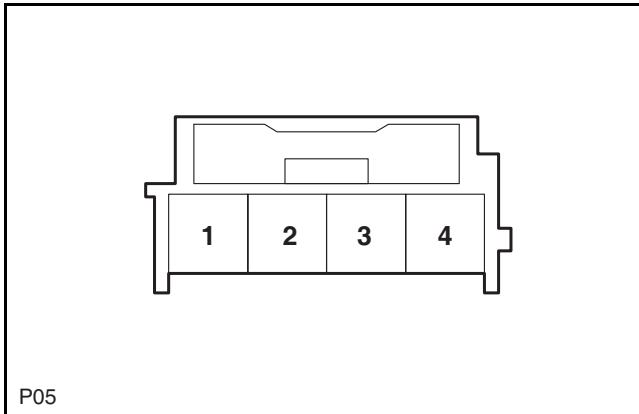


P04 Wiring Harness Connector Pin Definition

Pin No.	Wire Diameter/Color	Function
1	0.5 WH/GN	Instrument Cluster Constant Power Supply
2	0.5 YE	IG1 Power Supply
3	-	-
4	0.5 BK	Grounding
5	0.3 YE/RD	Fuel Level Sensor Grounding
6	-	-
7	-	-
8	0.3 BN/WH	Fuel Signal
9	-	-
10	-	-
11	0.3 GY/OG	Anti-theft Indicator
12	0.5 YE/BN	Oil Pressure Warning
13	0.3 VT	Brake Fluid Level Signal
14	-	-
15	-	-
16	0.3 LG	Battery Charging Indicator
17	-	-
18	-	-
19	0.3 GN	BCAN-H
20	0.3 WH	BCAN-L
21	-	-
22	-	-
23	-	-
24	-	-
25	0.3 BU	Parking Brake Switch
26	0.5 BU/RD	4-Way Button Switch +

Pin No.	Wire Diameter/Color	Function
27	-	-
28	-	-
29	-	-
30	0.5 WH	4-Way Button Switch -
31	0.5 RD/YE	Background Lamp
32	-	-

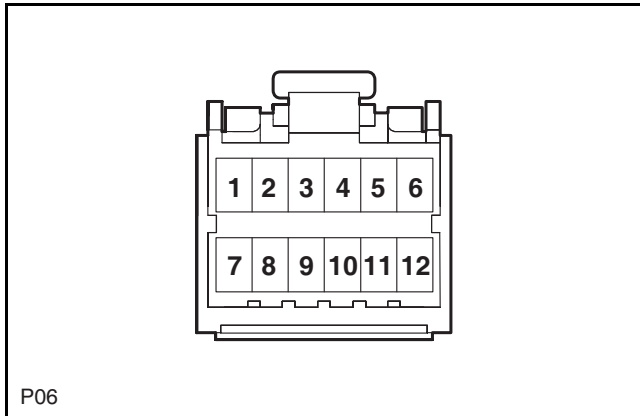
Rotary Connector - Airbag



P05 Wiring Harness Connector Pin Definition

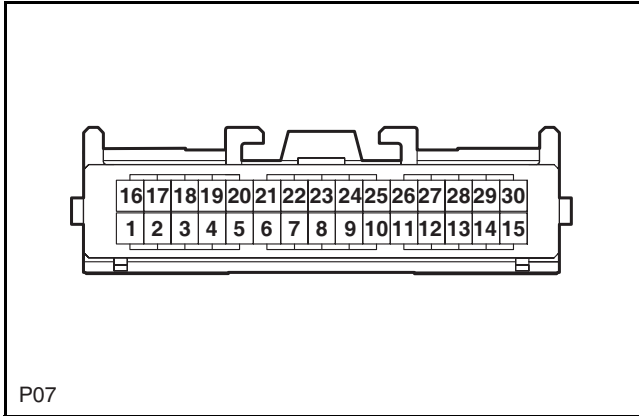
Pin No.	Wire Diameter/Color	Function
1	-	-
2	-	-
3	0.5 GY/YE	Driver Airbag Negative
4	0.5 RD/BU	Driver Airbag Positive

Combination Switch - Wiper

**P06 Wiring Harness Connector Pin Definition**

Pin No.	Wire Diameter/Color	Function
1	0.5 BU/RD	Rear Washer Switch
2	0.5 PK/YE	Front Wiper Sensitivity
3	0.3 WH/GN	Front Wiper AUTO
4	0.3 GN	Front Wiper Low Speed Position
5	-	-
6	0.3 GN	Front Wiper MIST Position
7	0.75 BN/WH	Rear Wiper IG2 Power Supply
8	0.5 YE/BN	Front Washer Switch
9	0.75 RD/GN	Front Wiper IG2 Power Supply
10	0.3 VT/GN	Front Wiper High Speed Position
11	0.3 WH/GN	Front Wiper Intermittent Position
12	0.3 YE/WH	Rear Wiper Switch

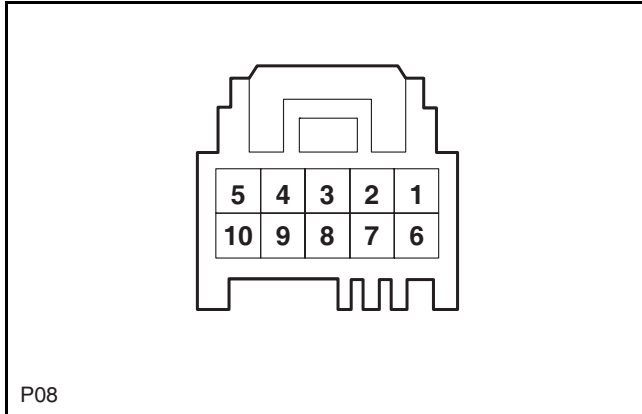
PCAN Short Circuiter

**P07 Wiring Harness Connector Pin Definition**

Pin No.	Wire Diameter/Color	Function
1	-	-
2	-	-
3	-	-
4	-	-
5	-	-
6	0.3 LG	Power PCAN-L to Airbag Controller
7	-	-
8	0.3 LG	Power PCAN-L to Engine Compartment CAN Breaker
9	0.3 LG	Power PCAN-L to EPS
10	0.3 LG	Power PCAN-L to Gateway Controller
11	-	-
12	-	-
13	-	-
14	0.3 BU	Audio CAN-L to Entertainment and Audio Head Unit
15	0.3 BU	Audio CAN-L to Gateway Controller
16	-	-
17	-	-
18	-	-
19	-	-
20	-	-
21	0.3 PK	Power PCAN-H to Airbag Controller
22	-	-
23	0.3 PK	Power PCAN-H to Engine Compartment CAN Breaker
24	0.3 PK	Power PCAN-H to EPS
25	0.3 PK	Power PCAN-H to Gateway Controller
26	-	-

Pin No.	Wire Diameter/Color	Function
27	-	-
28	-	-
29	0.3 OG	Audio CAN-H to Entertainment and Audio Head Unit
30	0.3 OG	Audio CAN-H to Gateway Controller

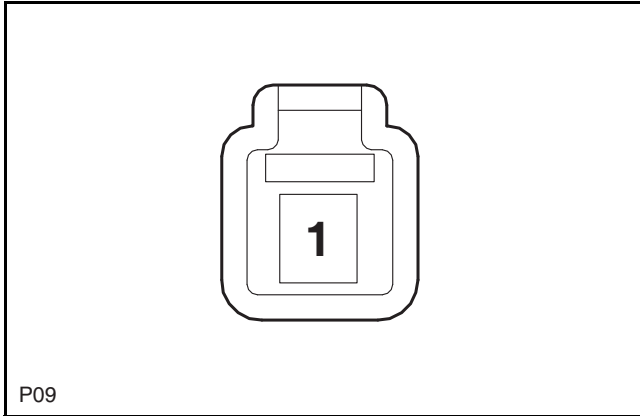
Start Switch



P08 Wiring Harness Connector Pin Definition

Pin No.	Wire Diameter/Color	Function
1	0.3 PK/GN	Start and Stop Switch 1
2	0.3 WH/BU	Start and Stop Switch 2
3	0.3 YE/RD	Grounding
4	0.5 RD/YE	Background Lamp
5	0.3 YE/GN	Start Switch Red Indicator
6	0.3 LG/RD	Start Switch Green Indicator
7	-	-
8	-	-
9	-	-
10	-	-

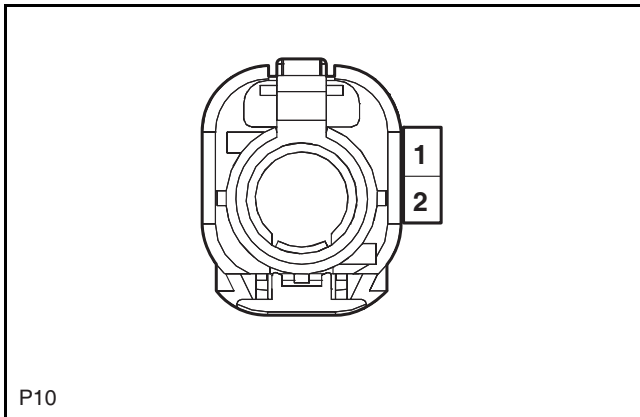
Antenna Power Supply



P09 Wiring Harness Connector Pin Definition

Pin No.	Wire Diameter/Color	Function
1	0.5 BN	Antenna Power Supply

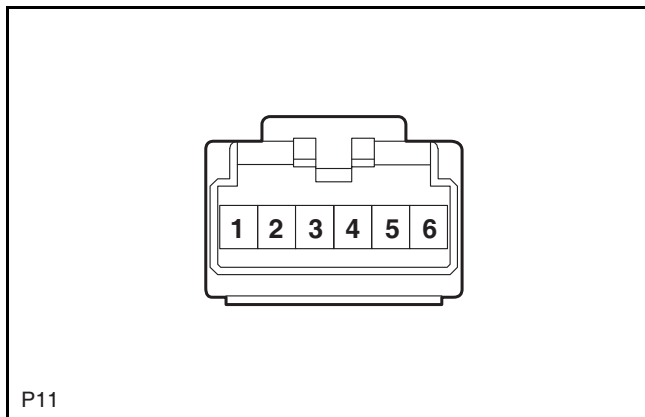
Front Display



P10 Wiring Harness Connector Pin Definition

Pin No.	Wire Diameter/Color	Function
1	0.3	-
2	0.3	-
3	0.3	-
4	0.3	-
5	0.3	-
6	0.3	-
7	-	-

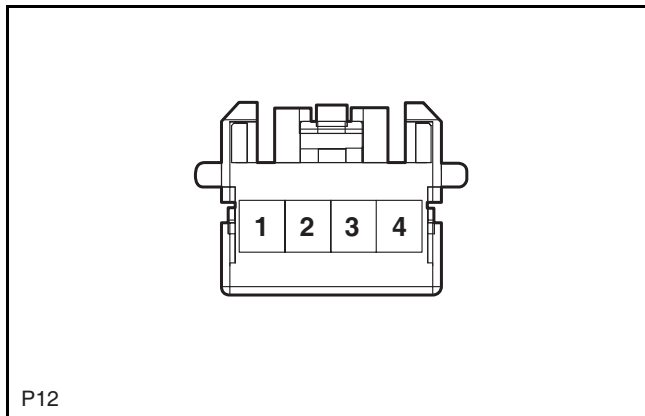
Sunlight Sensor



P11 Wiring Harness Connector Pin Definition

Pin No.	Wire Diameter/Color	Function
1	0.5 YE	Sunlight Sensor Power Supply
2	0.3 VT/WH	Solar Sensor Signal
3	0.3 BU/RD	Solar Sensor Grounding
4	-	-
5	0.3 GY	Ambient Light Sensor Signal
6	0.5 PK	Ambient Light Sensor Grounding

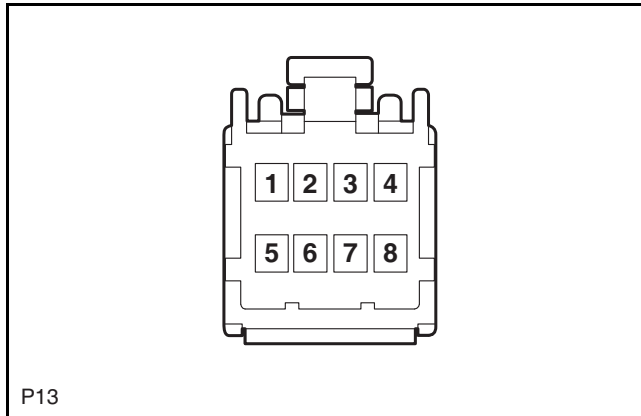
Emergency Alarm Switch



P12 Wiring Harness Connector Pin Definition

Pin No.	Wire Diameter/Color	Function
1	0.3 BK	Grounding
2	0.3 OG	Emergency Alarm Output
3	0.3 BK	Grounding
4	0.5 RD/YE	Background Lamp

Radio/DVD

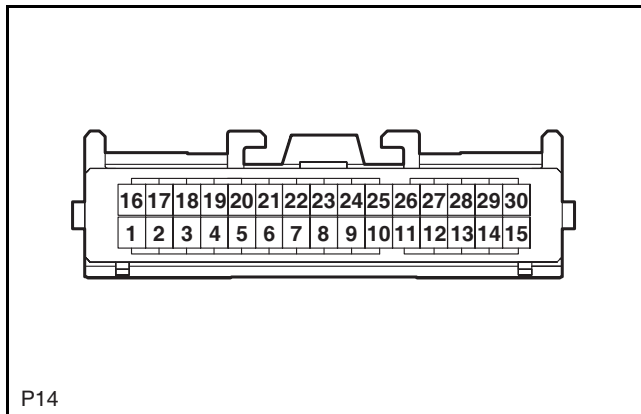


P13

P13 Wiring Harness Connector Pin Definition

Pin No.	Wire Diameter/Color	Function
1	0.5 GY/BU	ACC Power Supply
2	-	-
3	0.5 BK	Grounding
4	-	-
5	0.5 RD/YE	Background Lamp
6	-	-
7	0.5 GN/BK	Entertainment CAN-L
8	0.5 GN	Entertainment CAN-H

BCAN Short Circuiter



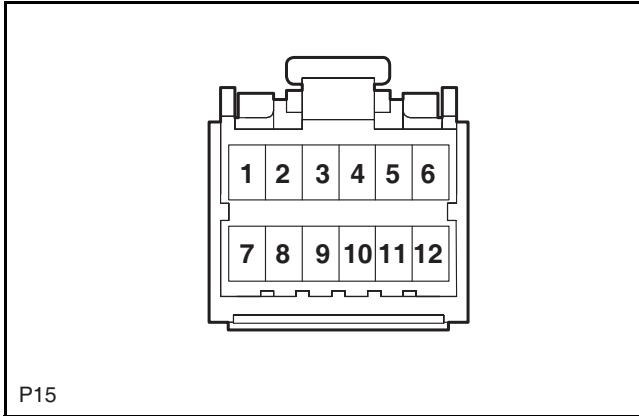
P14

P14 Wiring Harness Connector Pin Definition

Pin No.	Wire Diameter/Color	Function
1	-	-
2	0.3 WH	Vehicle Body BCAN-L to Instrument Cluster
3	0.3 WH	Vehicle Body BCAN-L to Body Controller
4	0.3 WH	Vehicle Body BCAN-L to Gateway Controller
5	0.3 WH	Vehicle Body BCAN-L to Electric A/C Controller

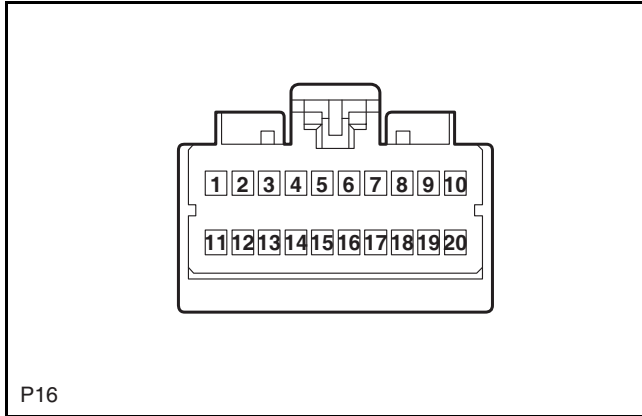
Pin No.	Wire Diameter/Color	Function
6	0.3 WH	Vehicle Body BCAN-L to Drive Recorder
7	0.3 WH	Vehicle Body BCAN-L to Electronic Steering Column Lock
8	-	-
9	-	-
10	-	-
11	-	-
12	-	-
13	-	-
14	-	-
15	-	-
16	-	-
17	0.3 GN	Vehicle Body BCAN-H to Instrument Cluster
18	0.3 GN	Vehicle Body BCAN-H to Body Controller
19	0.3 GN	Vehicle Body BCAN-H to Gateway Controller
20	0.3 GN	Vehicle Body BCAN-H to Electric A/C Controller
21	0.3 GN	Vehicle Body BCAN-H to Drive Recorder
22	0.3 GN	Vehicle Body BCAN-H to Electronic Steering Column Lock
23	-	-
24	-	-
25	-	-
26	-	-
27	-	-
28	-	-
29	-	-
30	-	-

Electronically Controlled A/C Controller

**P15 Wiring Harness Connector Pin Definition**

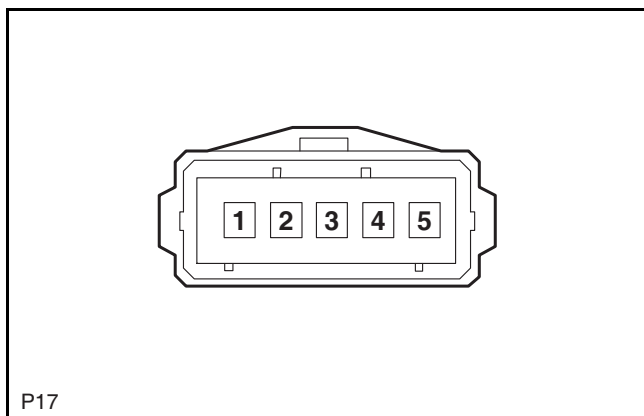
Pin No.	Wire Diameter/Color	Function
1	-	-
2	0.3 VT/WH	Sunlight Sensor Signal
3	-	-
4	0.3 OG/BN	Blower Relay Control
5	0.5 WH/BU	Instrument Cluster Constant Power Supply
6	0.5 BK	Grounding
7	0.3 VT/YE	Positive Cooling
8	0.3 VT/GN	Positive Heating
9	0.3 GN/WH	Room Temperature Sensor Input
10	0.3 WH/RD	Outside Temperature Sensor Input
11	-	-
12	0.3 PK/BU	IG1 Power Supply

Gateway

**P16 Wiring Harness Connector Pin Definition**

Pin No.	Wire Diameter/Color	Function
1	-	-
2	-	-
3	-	-
4	-	-
5	0.3 GN	Vehicle Body BCAN-H
6	0.3 OG	Audio CAN-H
7	-	-
8	0.3 LG	Diagnosis CAN-H
9	0.3 PK	Power PCAN-H
10	-	-
11	0.5 BK	Grounding
12	0.3 WH/RD	Constant Power Supply
13	0.3 GN/WH	IG1 Power Supply
14	-	-
15	0.3 WH	Vehicle Body BCAN-L
16	0.3 BU	Audio CAN-L
17	-	-
18	0.3 LG/RD	Diagnosis CAN-L
19	0.3 LG	Power PCAN-L
20	-	-

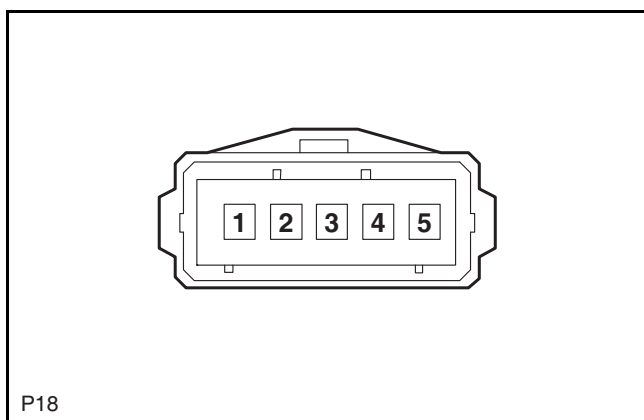
Mode Actuator



P17 Wiring Harness Connector Pin Definition

Pin No.	Wire Diameter/Color	Function
1	0.3 WH/BK	5V Power Supply
2	0.3 WH/BU	Mode Damper Feedback Signal
3	0.3 BU/RD	Signal Grounding
4	0.3 BU/YE	Defroster Positive
5	0.3 GN/YE	Face Positive

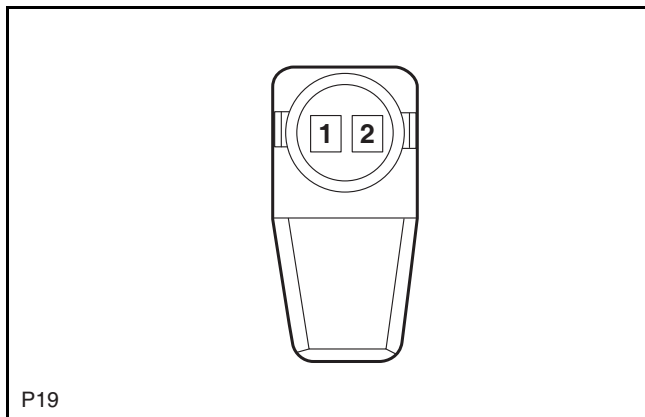
Inner and Outer Actuator



P18 Wiring Harness Connector Pin Definition

Pin No.	Wire Diameter/Color	Function
1	0.3 WH/BK	5V Power Supply
2	0.3 LG/BK	Inner and Outer Recirculation Feedback Signal
3	0.3 BU/RD	Signal Grounding
4	0.3 WH/YE	Outer Recirculation Positive
5	0.3 BU/BK	Inner Recirculation Positive

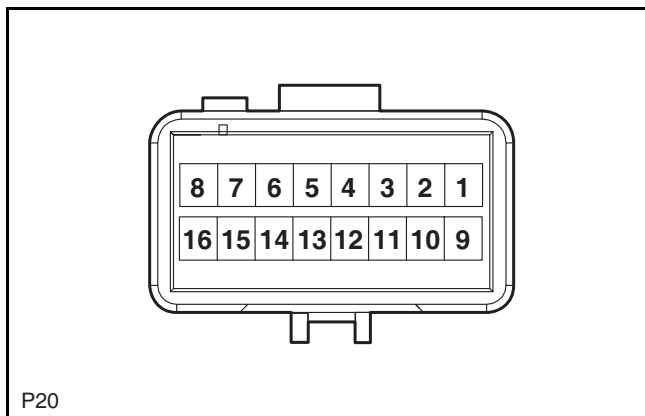
Front Passenger Airbag



P19 Wiring Harness Connector Pin Definition

Pin No.	Wire Diameter/Color	Function
1	0.5 RD/YE	Front Passenger Airbag Positive
2	0.5 GY/BK	Front Passenger Airbag Negative

IBCM-D

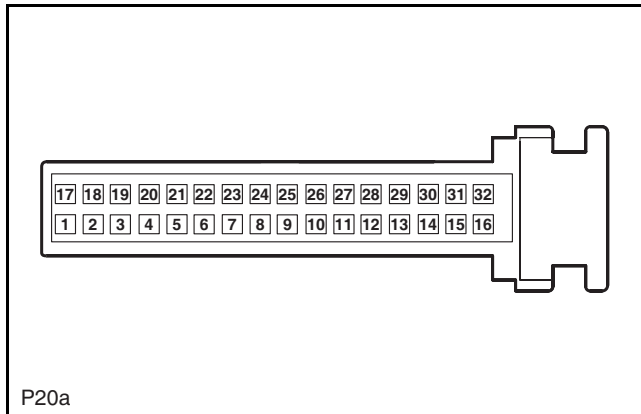


P20 Wiring Harness Connector Pin Definition

Pin No.	Wire Diameter/Color	Function
1	0.75 BN/WH	Constant Power Supply
2	1.25 BK	Grounding
3	0.75 BN/WH	Constant Power Supply
4	0.5 RD/GN	Left Front Fog Lamp Power Supply
5	0.3 BN/BU	High Mounted Brake Lamp Power Supply
6	1.25 GY/BU	Left Low Beam Lamp/Adjustment Motor Power Supply
7	1.25 BK	Grounding
8	0.5 WH/RD	Dome Lamp DOOR Control Signal
9	-	-
10	-	-
11	1.25 OG	Right Low Beam Lamp/Adjustment Motor Power Supply

Pin No.	Wire Diameter/Color	Function
12	-	-
13	0.5 VT	Right Front Daytime Running Lamp Power Supply
14	0.5 BU	Right Front Fog Lamp Power Supply
15	0.5 RD/BK	Energy Saving Output
16	0.75 RD/WH	Constant Power Supply

BCM-D

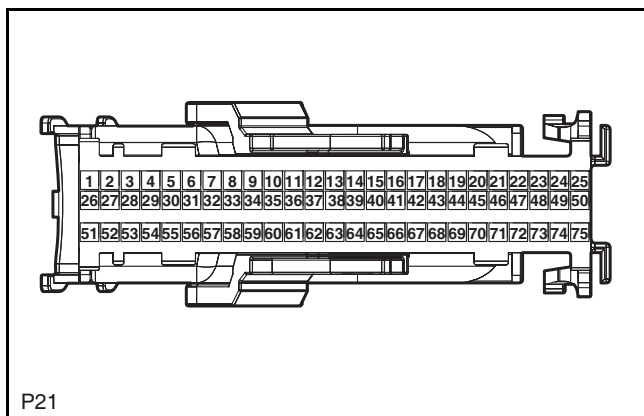


P20a Wiring Harness Connector Pin Definition

Pin No.	Wire Diameter/Color	Function
1	0.5 GN/BU	Antenna -
2	0.3 WH	Remote Up Signal
3	-	-
4	0.3 WH/RD	Window Switch Relay Control
5	-	-
6	0.3 BU/YE	Rear Wiper Relay Control
7	0.3 GN/WH	Low Beam Lamp Relay Control
8	-	-
9	-	-
10	0.3 BN/GN	Overtaking Lamp Switch
11	0.5 GY/BU	Horn Switch Power Supply
12	-	-
13	0.3 GN	BCAN-H
14	0.3 WH	BCAN-L
15	0.3 GN/YE	Central Unlock Switch
16	0.3 GN	Central Lock Switch
17	0.3 WH/GN	Remote Down Signal
18	0.3 VT	Right Daytime Running Lamp Relay Control
19	0.3 LG/RD	Back-up Lamp Relay Control

Pin No.	Wire Diameter/Color	Function
20	-	-
21	0.3 VT/GN	High Beam Lamp Relay Control
22	-	-
23	0.3 GY/OG	Anti-theft Indicator
24	-	-
25	0.3 WH/BK	Collision Signal
26	0.1 BK	TPMS Grounding
27	0.3 BK/RD	Lock Status Signal
28	0.3 YE/WH	Luggage Compartment Door Release Switch
29	0.3 RD/BU	TPMS Power Supply
30	0.3 OG	LIN Line
31	0.3 OG/BU	Front Turn Lamp Feedback
32	0.3 PK/BK	Rear Turn Lamp Feedback

IBCM-A



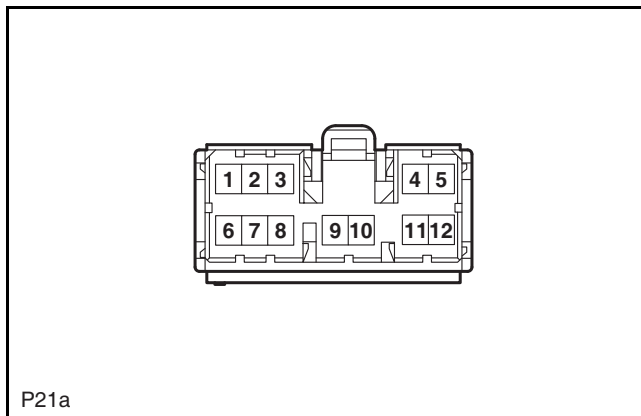
P21 Wiring Harness Connector Pin Definition

Pin No.	Wire Diameter/Color	Function
1	0.5 WH/VT	Left Front Daytime Running Lamp Power Supply
2	-	-
3	-	-
4	0.3 GN/YE	Front Fog Lamp Switch
5	0.3 GN/OG	Low Beam Switch
6	0.3 PK/GN	High Beam Switch
7	0.3 OG/BN	Rear Fog Lamp Switch
8	-	-
9	-	-
10	0.3 VT/WH	Left Turn Lamp Switch
11	-	-
12	0.3 OG/WH	IG1 Relay Control
13	0.3 BN/GN	Overtaking Lamp Switch
14	0.3 YE/RD	Automatic Light Switch
15	0.5 BU/RD	Rear Washer Switch
16	0.3 BN/BU	Brake Switch Constant ON Signal
17	-	-
18	0.75 BN/WH	IG2 Relay Feedback
19	0.5 PK/YE	Front Wiper Intermittent Adjustment Switch Input
20	-	-
21	0.3 PK	Small Lamp Switch
22	0.3 GN/RD	Clutch Lower Switch Signal
23	-	-
24	0.3 BU/RD	ACC Relay Control
25	0.3 GN/RD	IG2 Relay Control
26	0.5 RD/BK	Luggage Compartment Lamp Power Supply

Pin No.	Wire Diameter/Color	Function
27	-	-
28	-	-
29	0.3 BK/YE	Horn Relay Control
30	0.3 BN/OG	Front Wiper Relay 2 Control
31	0.3 VT/GN	High Beam Lamp Relay Control
32	-	-
33	-	-
34	-	-
35	0.3 WH	Remote Up Signal
36	-	-
37	-	-
38	0.3 LG/RD	Start Switch Green Indicator
39	0.5 YE/BN	Front Washer Switch
40	0.5 RD/GN	IG1 Relay Feedback
41	-	-
42	-	-
43	-	-
44	0.3 PK/BK	Rear Turn Lamp Feedback
45	-	-
46	-	-
47	0.5 GY/BU	ACC Relay Feedback
48	0.3 YE/WH	Luggage Compartment Door Release Switch
49	-	-
50	-	-
51	0.3 GN/WH	Front Wiper Relay 1 Control
52	0.3 BK/PK	Rear Defroster Relay Control
53	-	-
54	0.3 BU/YE	Rear Wiper Relay Control
55	-	-
56	-	-
57	-	-
58	-	-
59	0.3 WH/BK	Collision Signal
60	0.3 WH/GN	Remote Down Signal
61	0.3 WH/RD	Window Switch Relay Control
62	0.3 YE/GN	Start Switch Red Indicator
63	-	-
64	-	-

Pin No.	Wire Diameter/Color	Function
65	0.3 OG	LIN Communication Bus for Rain Sensor, Reversing Radar, etc.
66	-	-
67	-	-
68	0.3 WH	BCAN-L
69	0.3 GN	BCAN-H
70	0.3 GY	LIN Communication Bus for Radio Frequency Receiver
71	0.3 GN/BU	LIN Communication Bus for Window Controller, Sunroof Controller, etc.
72	-	-
73	-	-
74	-	-
75	-	-

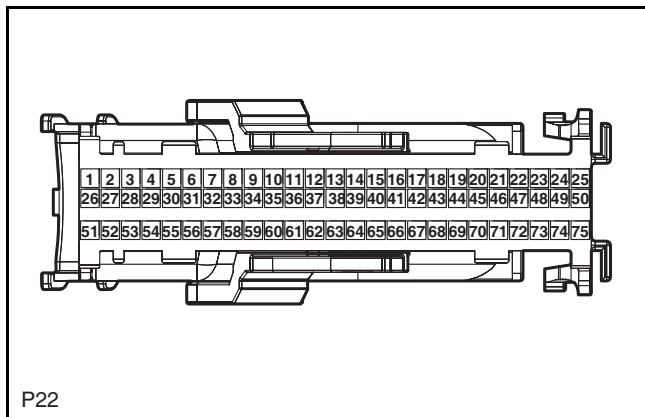
BCM-A



P21a Wiring Harness Connector Pin Definition

Pin No.	Wire Diameter/Color	Function
1	0.3 BK/PK	Rear Defroster Relay Control
2	0.3 RD/BK	Position Lamp Relay Control
3	-	-
4	-	-
5	0.5 GN	Luggage Compartment Lamp Control
6	0.3 BK/YE	Horn Relay Control
7	-	-
8	-	-
9	-	-
10	0.3 PK/BU	Left Daytime Running Lamp Relay Control
11	-	-
12	-	-

IBCM-B



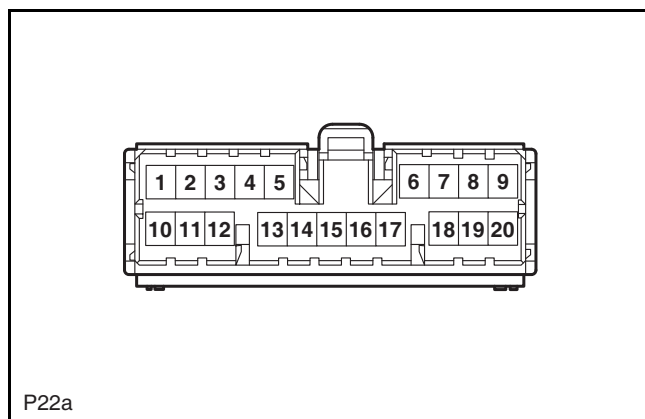
P22 Wiring Harness Connector Pin Definition

Pin No.	Wire Diameter/Color	Function
1	0.5 RD/YE	Right Position Lamp and License Plate Lamp Output
2	-	-
3	-	-
4	-	-
5	-	-
6	-	-
7	-	-
8	-	-
9	0.5 GY/BU	Horn Switch Power Supply
10	-	-
11	0.3 OG/BU	Front Turn Lamp Feedback
12	-	-
13	0.3 GN/YE	Central Unlock Switch
14	0.3 GN	Central Lock Switch
15	0.3 GY/OG	Anti-theft Indicator
16	0.3 BK/RD	Left Front Lock Status
17	-	-
18	0.3 YE	Left Front Door Handle Button
19	-	-
20	0.3 PK/BU	Front Low Frequency Antenna +
21	0.3 BU/YE	Front Low Frequency Antenna -
22	-	-
23	-	-
24	0.3 BN/RD	Left Low Frequency Antenna +
25	0.3 OG/BN	Left Low Frequency Antenna -
26	0.5 GY/GN	Right Rear Fog Lamp Power Supply

Pin No.	Wire Diameter/Color	Function
27	-	-
28	-	-
29	-	-
30	-	-
31	0.3 VT	Left Rear Door Status Signal
32	0.3 RD/BK	Right Rear Door Status Signal
33	0.3 RD/GN	Luggage Compartment Door Release Switch Signal
34	-	-
35	-	-
36	0.3 WH/BK	Left Front Door Status Signal
37	0.3 WH/RD	Right Front Door Status Signal
38	0.3 OG	Emergency Alarm Switch
39	0.3 WH/BU	Start and Stop Switch 2
40	-	-
41	0.3 PK/GN	Start and Stop Switch 1
42	0.3 GY	Ambient Light Sensor Output
43	-	-
44	-	-
45	-	-
46	-	-
47	-	-
48	0.3 BK/YE	Right Low Frequency Antenna -
49	0.3 BU/BK	Rear Low Frequency Antenna -
50	-	-
51	0.5 RD	Left Rear Fog Lamp Power Supply
52	0.5 OG/BK	Left Position Lamp and License Plate Lamp Output
53	-	-
54	-	-
55	-	-
56	-	-
57	0.5 WH/BU	Rearview Mirror Folding
58	0.5 WH/YE	Rearview Mirror Reset
59	0.3 YE/WH	Rear Wiper Switch
60	0.3 WH/GN	Front Wiper Automatic Switch
61	0.3 VT/GN	Front Wiper High Speed Switch
62	0.3 GN	Front Wiper Low Speed Switch
63	-	-
64	-	-

Pin No.	Wire Diameter/Color	Function
65	0.5 BU/WH	Wiper Reset
66	0.5 BU	Rear Wiper Stop Signal
67	0.3 YE/RD	Grounding
68	0.3 GN/YE	P/N Position Signal
69	-	-
70	0.3 BN/YE	Right Turn Lamp Switch
71	0.3 WH/YE	Reverse Signal
72	0.3 BU	Folding Control Signal
73	0.3 GN/RD	Right Low Frequency Antenna +
74	0.3 BN/BK	Rear Low Frequency Antenna +
75	-	-

BCM-B

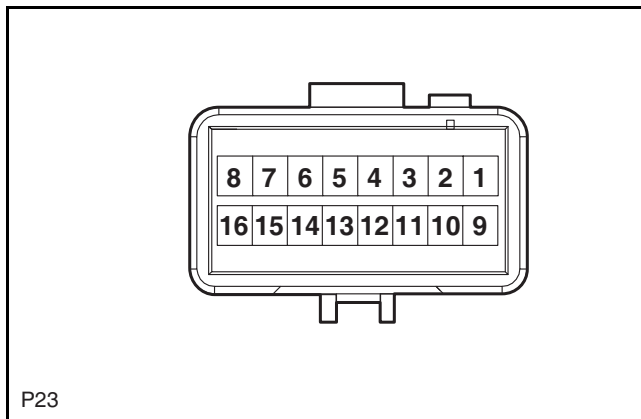


P22a Wiring Harness Connector Pin Definition

Pin No.	Wire Diameter/Color	Function
1	0.5 WH/BK	Turn Lamp Power Supply
2	-	-
3	0.5 WH/RD	Dome Lamp DOOR Control Signal
4	0.5 RD/BK	Energy Saving Output
5	-	-
6	1.25 VT/WH	Front Wiper Low Speed Output
7	0.5 BK	Grounding
8	0.5 YE/BN	Left Front Door Unlock
9	0.5 WH/VT	Luggage Compartment Door Release Output
10	0.5 RD/WH	Right Turn Lamp Power Supply
11	0.5 RD/BU	Left Turn Lamp Power Supply
12	1.25 RD/GN	Energy Saving Output Power Supply
13	1.25 GN/BN	Oil Pump Pressure Buildup Output

Pin No.	Wire Diameter/Color	Function
14	0.5 RD	Rear Fog Lamp Output
15	0.5 WH/BK	Rear Fog Lamp Power Supply
16	1.25 RD/GN	IG2 Power Supply
17	1.25 BU/RD	Front Wiper High Speed Output
18	0.75 BK/GN	Door Lock Power Supply
19	0.5 YE/WH	Central Unlock
20	0.75 PK/YE	Central Lock

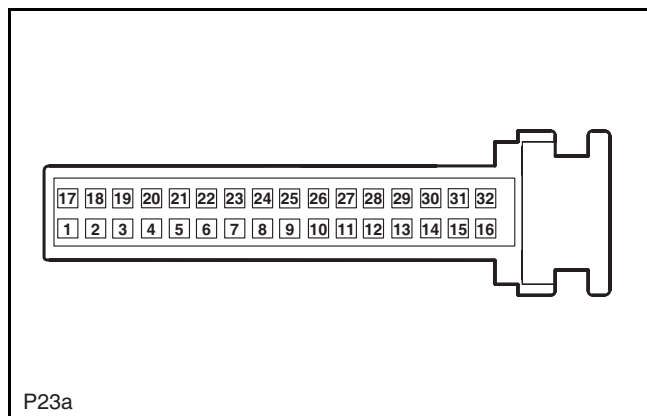
IBCM-C



P23 Wiring Harness Connector Pin Definition

Pin No.	Wire Diameter/Color	Function
1	0.5 RD/GN	Power Supply
2	0.5 YE/BN	Left Front Door Unlock
3	1.25 GN/BN	Oil Pump Pressure Buildup Output
4	0.5 BK/GN	Backup Lamp Output
5	0.5 BN/BU	Brake Lamp Power Supply
6	0.5 RD/GN	Power Supply
7	0.5 YE/WH	Right Front Door Unlock Output
8	0.75 PK/YE	Central Lock
9	1.25 BU/RD	Power Supply
10	0.5 WH/VT	Luggage Compartment Door Release Output
11	-	-
12	1.25 BK	Grounding
13	0.5 RD/BU	Left Turn Lamp Power Supply
14	0.75 GN/YE	Power Supply
15	0.75 RD/WH	Right Turn Lamp Power Supply
16	1.25 VT/YE	Power Supply

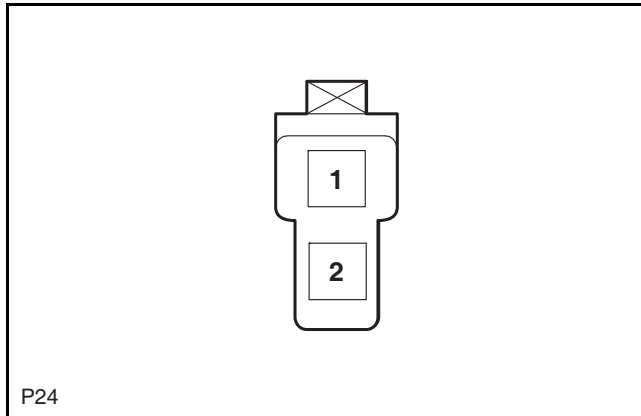
BCM-C

**P23a Wiring Harness Connector Pin Definition**

Pin No.	Wire Diameter/Color	Function
1	0.5 BN	Power Supply
2	0.5 GN/WH	IG1 Power Supply
3	0.3 GN/OG	Low Beam Switch
4	-	-
5	0.5 YE/BN	Front Washer Switch
6	0.3 YE/WH	Rear Wiper Switch
7	0.5 GY/BU	ACC Power Supply
8	0.3 WH/GN	Front Wiper Intermittent Switch
9	0.3 WH/BK	Left Front Door Status Signal
10	0.3 VT	Left Rear Door Status Signal
11	0.3 RD/GN	Luggage Compartment Door Release Switch Signal
12	0.3 OG	Emergency Alarm Switch
13	0.3 BN/YE	Right Turn Lamp Switch
14	0.3 WH/YE	Reverse Signal
15	0.3 OG/BN	Rear Fog Lamp Switch
16	0.5 BU	Rear Wiper Stop Signal
17	0.75 BK	Grounding
18	0.5 PK/YE	Front Wiper Intermittent Switch
19	-	-
20	0.5 BU/WH	Wiper Reset
21	0.3 GN	Front Wiper Low Speed Switch
22	0.3 VT/GN	Front Wiper High Speed Switch
23	0.5 BU/RD	Rear Washer Switch
24	0.3 RD/WH	Key Reminder Switch
25	0.3 WH/RD	Right Front Door Status Signal
26	0.3 RD/BK	Right Rear Door Status Signal

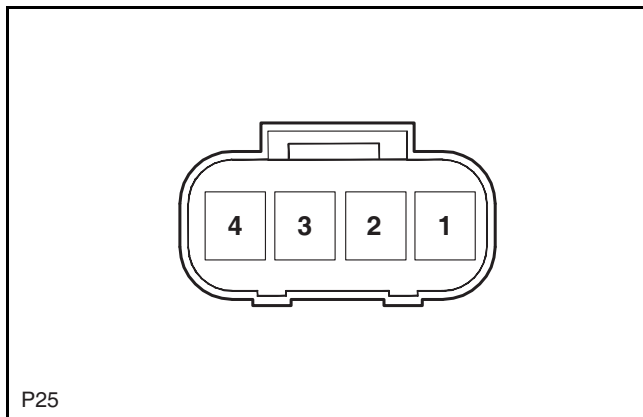
Pin No.	Wire Diameter/Color	Function
27	0.3 PK	Small Lamp Switch
28	-	-
29	0.3 PK/GN	High Beam Switch
30	-	-
31	-	-
32	0.3 VT/WH	Left Turn Lamp Switch

Blower

**P24 Wiring Harness Connector Pin Definition**

Pin No.	Wire Diameter/Color	Function
1	3.0 RD	Blower Power Supply
2	3.0 YE	Blower Control

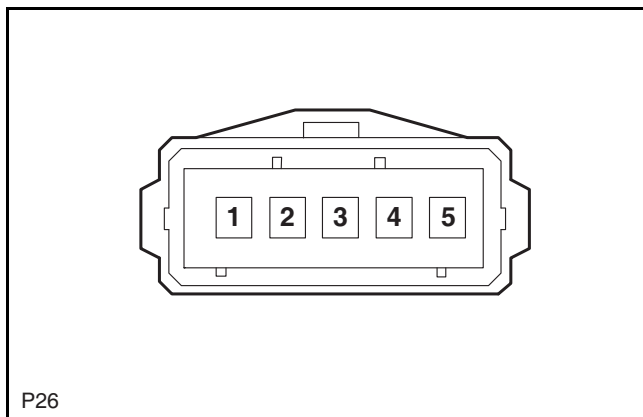
Speed Regulation Module



P25 Wiring Harness Connector Pin Definition

Pin No.	Wire Diameter/Color	Function
1	3.0 YE	Blower Control
2	0.5 BN	Speed Regulation Module Control Signal
3	0.5 BU	Speed Regulation Module Feedback Signal
4	3.0 BK	Grounding

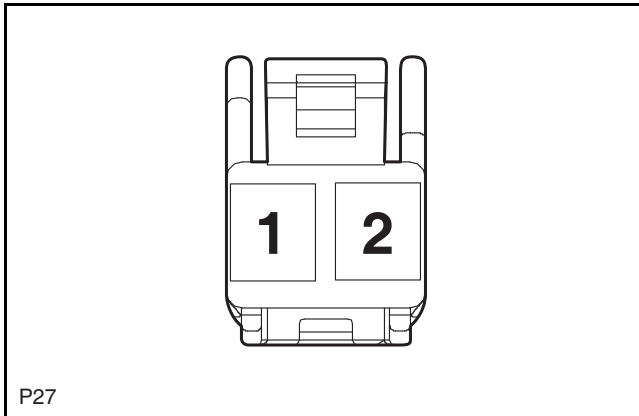
Temperature Actuator



P26 Wiring Harness Connector Pin Definition

Pin No.	Wire Diameter/Color	Function
1	0.3 WH/BK	5V Power Supply
2	0.3 VT	Temperature Damper Feedback Signal
3	0.3 BU/RD	Signal Grounding
4	0.3 VT/GN	Positive Heating
5	0.3 VT/YE	Positive Cooling

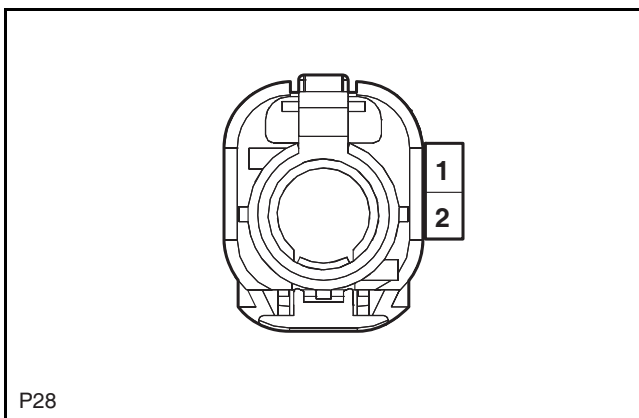
Evaporator Temperature Sensor



P27 Wiring Harness Connector Pin Definition

Pin No.	Wire Diameter/Color	Function
1	0.3 GY	Evaporator Temperature Signal
2	0.3 BU/RD	Evaporator Temperature Signal Grounding

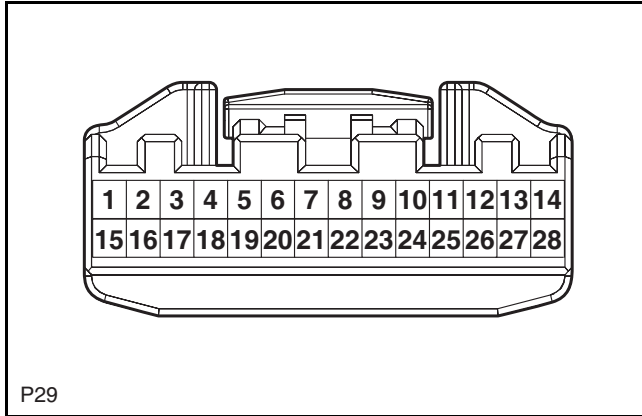
Entertainment and Audio Head Unit 10-inch Display Interface



P28 Wiring Harness Connector Pin Definition

Pin No.	Wire Diameter/Color	Function
1	0.3	-
2	0.3	-
3	0.3	-
4	0.3	-
5	0.3	-
6	0.3	-
7	-	-

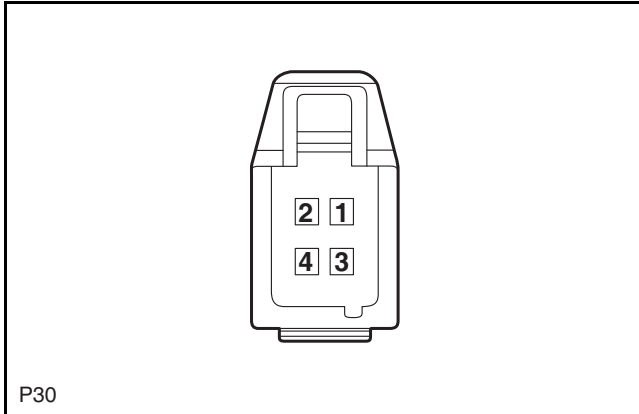
Entertainment and Audio Head Unit-D

**P29 Wiring Harness Connector Pin Definition**

Pin No.	Wire Diameter/Color	Function
1	-	-
2	-	-
3	-	-
4	-	-
5	-	-
6	-	-
7	-	-
8	-	-
9	-	-
10	-	-
11	-	-
12	-	-
13	-	-
14	-	-
15	-	-
16	-	-
17	-	-
18	-	-
19	-	-
20	-	-
21	0.3 BK	Right Blind Spot Video
22	0.3 WH	Right Blind Spot Video
23	-	-
24	-	-
25	-	-
26	0.5 RD	Microphone 1 Signal Grounding

Pin No.	Wire Diameter/Color	Function
27	-	-
28	0.5 BU	Microphone 1 Signal

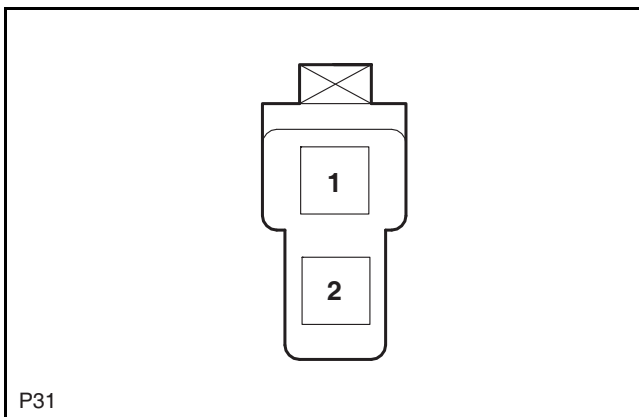
Drive Recorder (Instrument Cluster End)



P30 Wiring Harness Connector Pin Definition

Pin No.	Wire Diameter/Color	Function
1	-	-
2	-	-
3	-	-
4	-	-

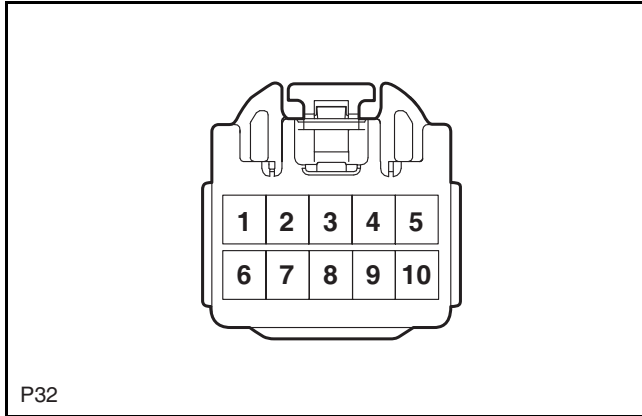
Power Outlet



P31 Wiring Harness Connector Pin Definition

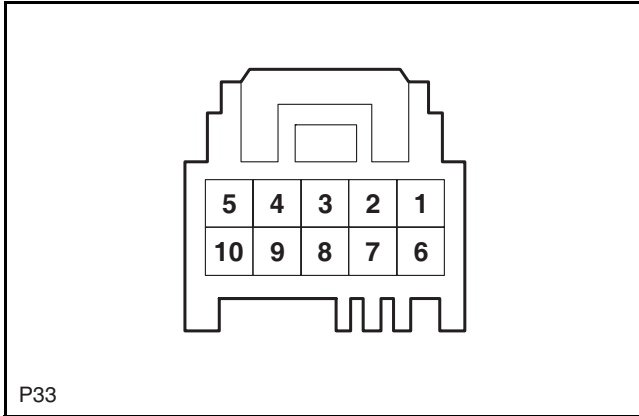
Pin No.	Wire Diameter/Color	Function
1	1.25 BK	Grounding
2	1.25 RD/BK	Power Supply

Shift Controller

**P32 Wiring Harness Connector Pin Definition**

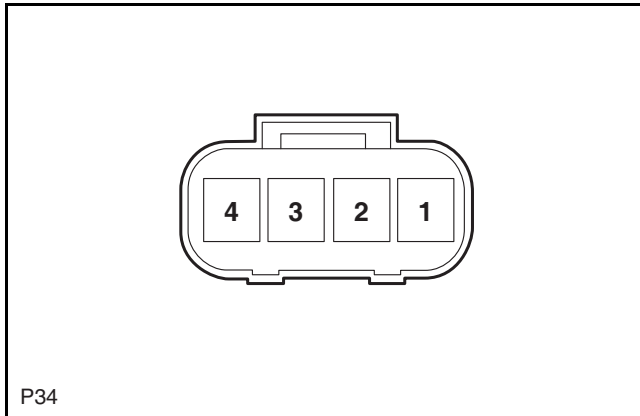
Pin No.	Wire Diameter/Color	Function
1	0.3 YE/BU	Manual Shift-up
2	0.3 RD/BU	Sport Mode
3	0.3 BN/YE	Manual Shift-down
4	0.3 BK	Grounding
5	0.5 WH	Brake Lamp Signal
6	-	-
7	-	-
8	0.5 OG	IG1 Power Supply
9	0.3 BK	Grounding
10	0.5 RD/YE	Background Lamp Power Supply

AUTOHOLD and EPB Switch

**P33 Wiring Harness Connector Pin Definition**

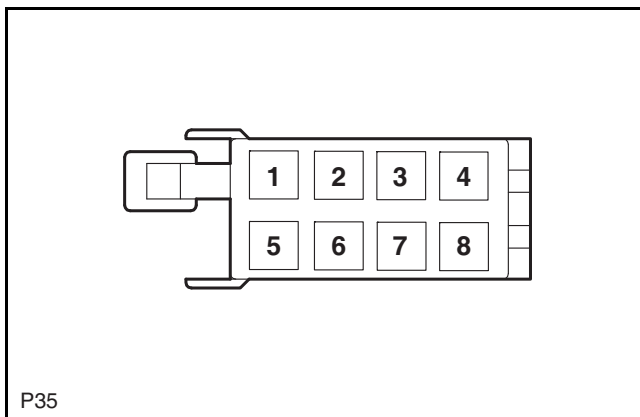
Pin No.	Wire Diameter/Color	Function
1	0.5 RD/YE	Background Lamp
2	0.3 BK	Grounding
3	0.3 WH/GN	Power Supply
4	0.3 YE/BK	EPB Switch 1
5	0.3 WH/BK	EPB Switch 3
6	0.3 OG/GN	EPB Switch 4
7	0.3 PK/BU	EPB Switch 6
8	-	-
9	-	-
10	0.3 YE/GN	EPB Operation Indicator

Front Antenna

**P34 Wiring Harness Connector Pin Definition**

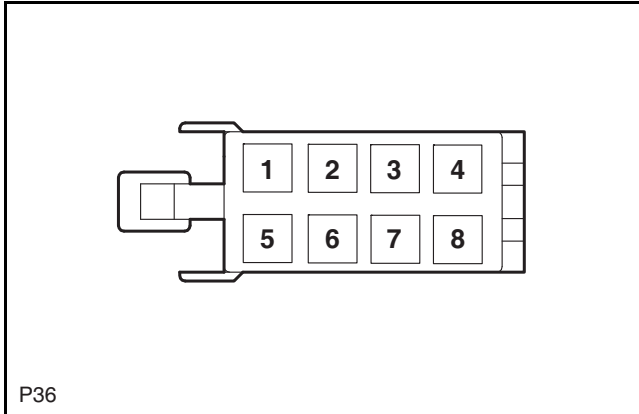
Pin No.	Wire Diameter/Color	Function
1	0.3 BU/YE	Front Low Frequency Antenna -
2	0.3 PK/BU	Front Low Frequency Antenna +
3	-	-
4	-	-

Entertainment and Audio Head Unit-A

**P35 Wiring Harness Connector Pin Definition**

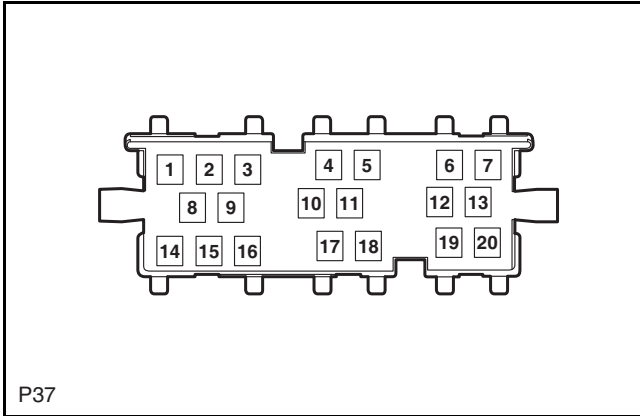
Pin No.	Wire Diameter/Color	Function
1	0.3 GN	Steering Wheel Entertainment Control Grounding
2	0.3 GY/BU	ACC Power Supply
3	0.5 RD/YE	Background Lamp
4	1.25 BK	Grounding
5	0.3 VT/WH	Steering Wheel Entertainment Control 1
6	0.3 GN/OG	Steering Wheel Entertainment Control 2
7	0.5 BN	Antenna Power Supply
8	1.25 RD/GN	Constant Power Supply

Entertainment and Audio Head Unit-B

**P36 Wiring Harness Connector Pin Definition**

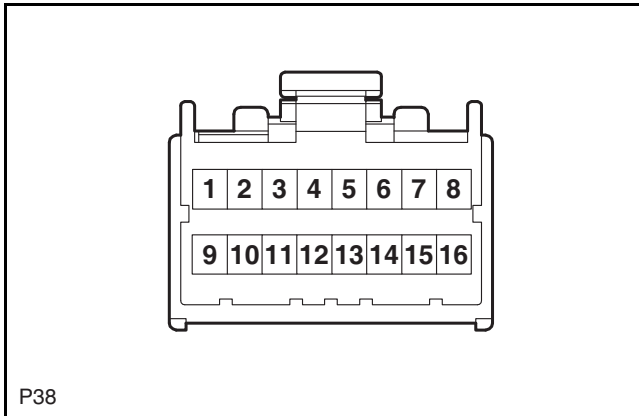
Pin No.	Wire Diameter/Color	Function
1	0.5 GN	Right Rear Speaker Negative
2	0.5 VT/GN	Right Front Speaker Negative
3	0.5 GY/WH	Left Front Speaker Negative
4	0.5 PK	Left Rear Speaker Negative
5	0.5 GN/VT	Right Rear Speaker Positive
6	0.5 VT/OG	Right Front Speaker Positive
7	0.5 VT/YE	Left Front Speaker Positive
8	0.5 OG/GN	Left Rear Speaker Positive

Entertainment and Audio Head Unit-C

**P37 Wiring Harness Connector Pin Definition**

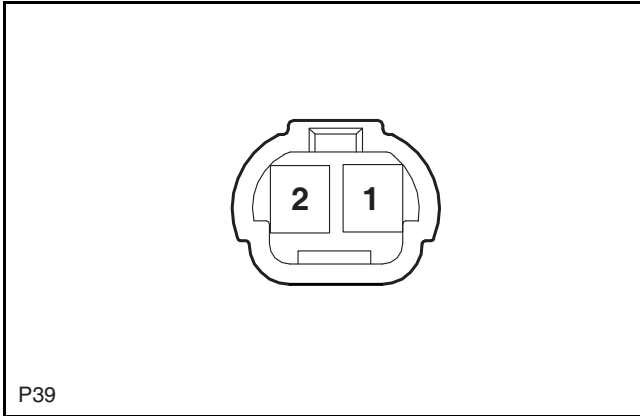
Pin No.	Wire Diameter/Color	Function
1	0.5 BK	Microphone 2 Signal Grounding
2	-	-
3	0.5 GN	Drive Recorder Video Power Supply
4	-	-
5	0.3 WH	Reversing Video Signal
6	0.3 BU	Audio CAN-H
7	0.3 OG	Audio CAN-L
8	-	-
9	0.5 BK	Blind Spot Video Signal
10	-	-
11	-	-
12	0.5 GN/BK	Entertainment CAN-L
13	0.5 GN	Entertainment CAN-H
14	0.5 VT	Microphone 2 Signal
15	-	-
16	0.5 RD	Drive Recorder Video Grounding
17	0.5 BK/YE	Rear View Camera Power Supply
18	0.3 BK	Reversing Video Signal Grounding
19	0.5 GN/BU	Rear View Camera Grounding
20	0.5 BK/GN	Reversing Trigger Signal

Electric A/C Controller

**P38 Wiring Harness Connector Pin Definition**

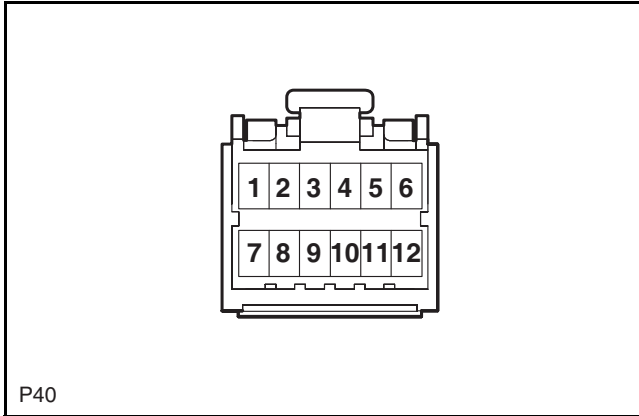
Pin No.	Wire Diameter/Color	Function
1	0.3 LG/BK	Inner and Outer Recirculation Motor Position Signal
2	0.3 BU/RD	Signal Grounding
3	0.3 GY	Evaporator Temperature Signal
4	0.3 WH/BK	5V Power Supply
5	0.3 WH/BU	Mode Damper Motor Position Signal
6	0.3 VT	Mix Damper Motor Position Signal
7	0.3 GN	BCAN-H
8	0.3 WH	BCAN-L
9	0.5 BN	Air Volume Regulation Control Signal
10	0.5 BU	Blower Feedback
11	0.3 GN/BU	Air Conditioning System Operating Condition
12	0.5 RD/YE	Background Lamp
13	0.3 WH/YE	Outer Recirculation Positive
14	0.3 BU/BK	Inner Recirculation Positive
15	0.3 GN/YE	Face Positive
16	0.3 BU/YE	Defroster Positive

Room Temperature Sensor

**P39 Wiring Harness Connector Pin Definition**

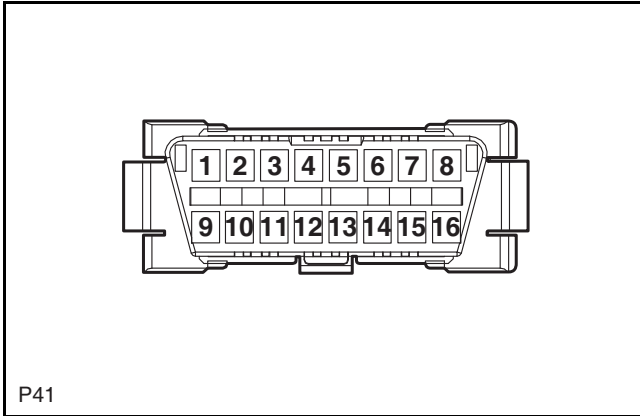
Pin No.	Wire Diameter/Color	Function
1	0.3 GN/WH	Room Temperature Sensor Input
2	0.3 BU/RD	Room Temperature Sensor Grounding

Electronic Steering Lock Controller

**P40 Wiring Harness Connector Pin Definition**

Pin No.	Wire Diameter/Color	Function
1	0.3 VT/YE	Vehicle Speed Signal
2	-	-
3	-	-
4	-	-
5	-	-
6	0.5 YE/BU	IG Power Supply
7	0.3 WH	BCAN-L
8	0.3 GN	BCAN-H
9	0.3 WH/BK	Left Front Door Status Signal
10	0.5 BK	Grounding
11	-	-
12	0.5 WH/YE	Power Supply

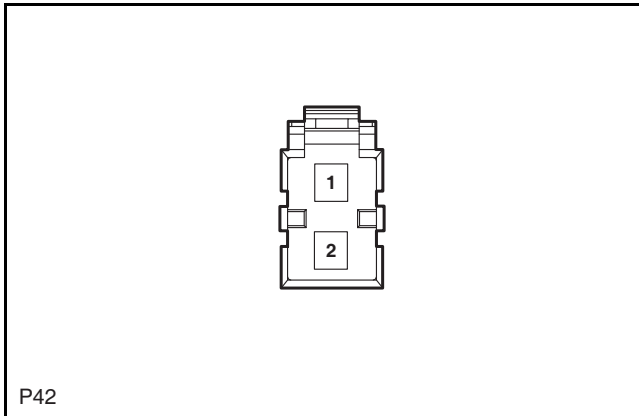
Data Link Connector



P41 Wiring Harness Connector Pin Definition

Pin No.	Wire Diameter/Color	Function
1	-	-
2	-	-
3	-	-
4	0.5 BK	Grounding
5	0.5 BK	Grounding
6	0.3 LG	Diagnosis CAN-H
7	-	-
8	0.3 GN/BU	LIN Line
9	-	-
10	-	-
11	-	-
12	-	-
13	-	-
14	0.3 LG/RD	Diagnosis CAN-L
15	-	-
16	0.5 WH/RD	Constant Power Supply

EPS Power Supply

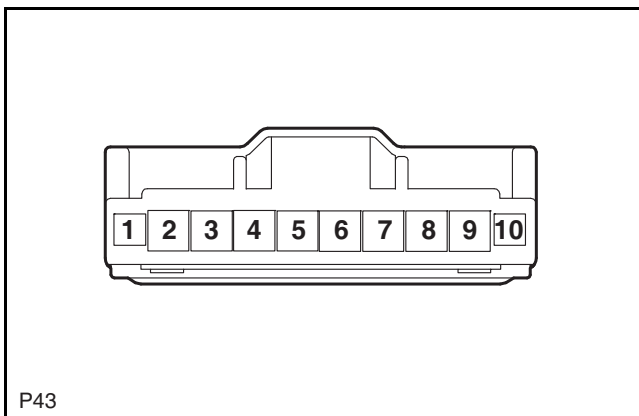


P42

P42 Wiring Harness Connector Pin Definition

Pin No.	Wire Diameter/Color	Function
1	10.0 RD	Power Supply
2	10.0 BK	Grounding

EPS Signal

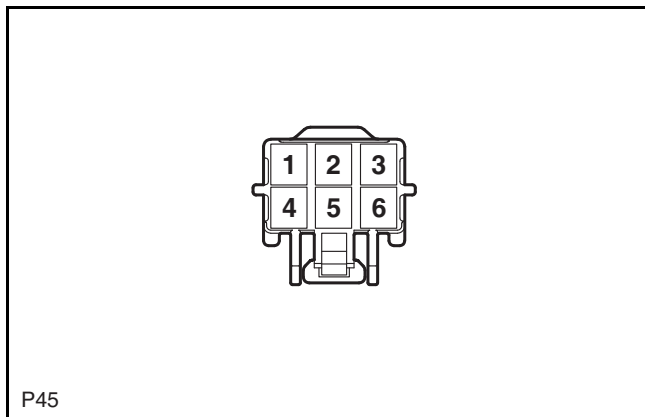


P43

P43 Wiring Harness Connector Pin Definition

Pin No.	Wire Diameter/Color	Function
1	0.5 YE/BN	IG1 Power Supply
2	-	-
3	-	-
4	-	-
5	-	-
6	0.3 LG	PCAN-L
7	0.3 PK	PCAN-H
8	-	-
9	-	-
10	-	-

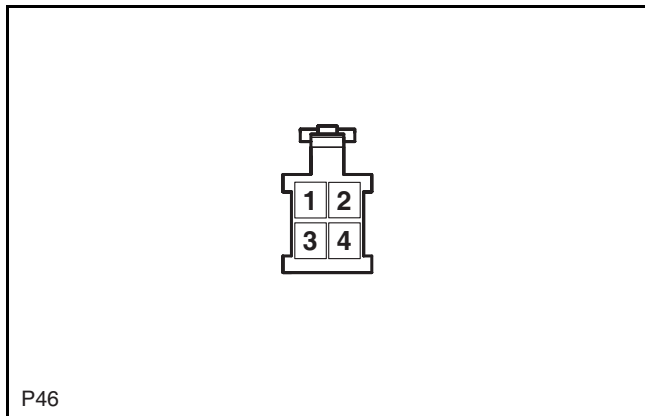
Ignition Switch



P45 Wiring Harness Connector Pin Definition

Pin No.	Wire Diameter/Color	Function
1	3.0 BN	IG2 Power Supply
2	4.0 RD/BK	BAT Power Supply +
3	2.0 RD/BK	Start Power Supply
4	3.0 BU	ACC Power Supply
5	3.0 OG	IG1 Power Supply
6	4.0 RD/WH	BAT Power Supply +

Key Reminder Switch

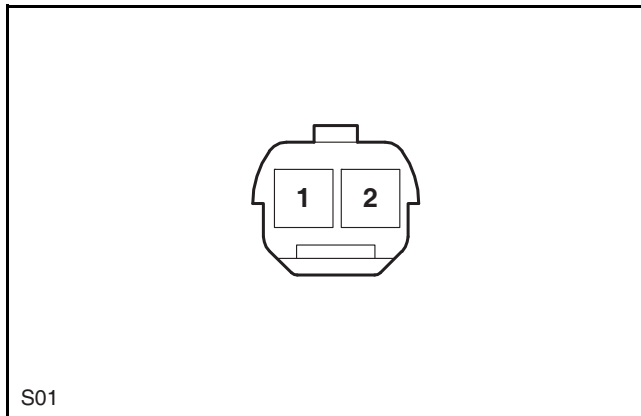


P46 Wiring Harness Connector Pin Definition

Pin No.	Wire Diameter/Color	Function
1	0.5 WH/GN	Key Reminder Switch Power Supply
2	0.3 RD/WH	Key Reminder Switch Signal
3	0.5 RD/BK	Key Reminder Switch Background Lamp Power Supply
4	0.5 WH/RD	Key Reminder Switch Background Lamp Grounding

Chassis Wiring Harness Connector (S--)

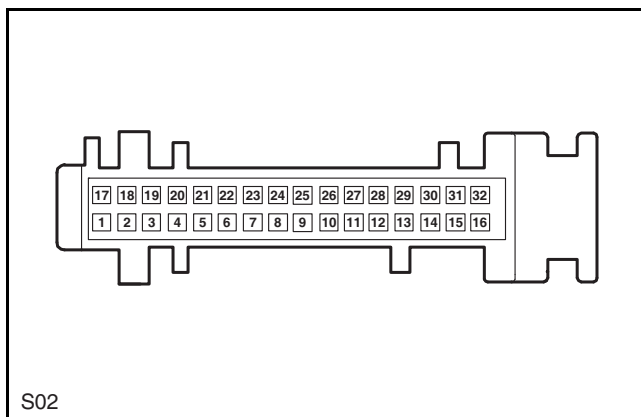
Driver Seat Belt Switch



S01 Wiring Harness Connector Pin Definition

Pin No.	Wire Diameter/Color	Function
1	0.3 OG	Driver Seat Belt Switch Input
2	0.3 BK	Driver Seat Belt Switch Output

Airbag Controller

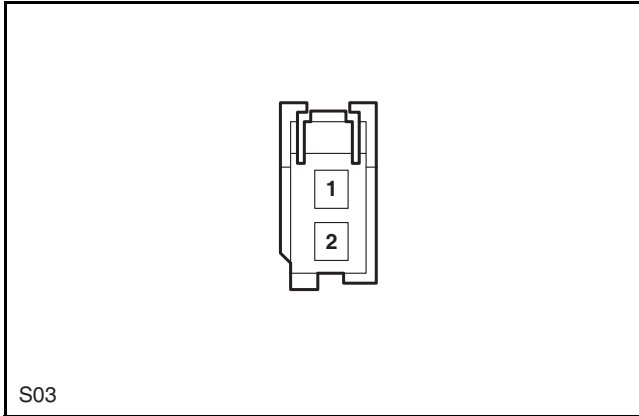


S02 Wiring Harness Connector Pin Definition

Pin No.	Wire Diameter/Color	Function
1	0.3 WH/BK	Collision Signal
2	0.5 RD/BU	Driver Airbag Positive
3	0.5 GY/YE	Driver Airbag Negative
4	0.5 GY/BK	Front Passenger Airbag Negative
5	0.5 RD/YE	Front Passenger Airbag Positive
6	0.5 GN	Driver Seat Belt Retractor Positive
7	0.5 BN	Driver Seat Belt Retractor Negative
8	0.5 VT	Front Passenger Seat Belt Retractor Positive
9	0.5 YE	Front Passenger Seat Belt Retractor Negative
10	0.5 BU/YE	Driver Side Collision Sensor Positive

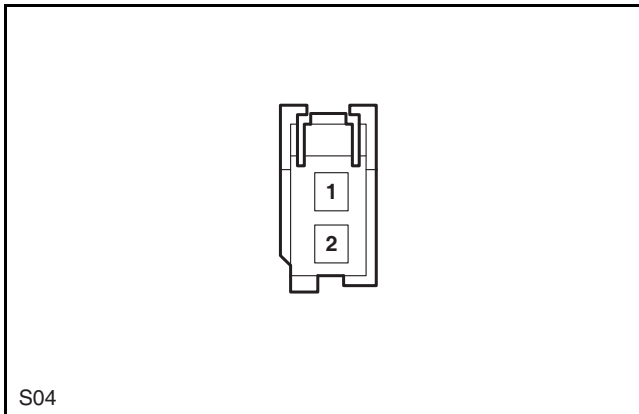
Pin No.	Wire Diameter/Color	Function
11	0.5 VT/GN	Driver Side Collision Sensor Negative
12	0.5 YE/RD	Front Passenger Side Collision Sensor Positive
13	0.5 VT/YE	Front Passenger Side Collision Sensor Negative
14	0.3 BK/WH	Front Passenger Seat Belt Switch
15	-	-
16	0.5 BU/YE	IG1 Power Supply
17	0.5 BK	Grounding
18	0.5 GY	Driver Side Airbag Positive
19	0.5 RD/WH	Driver Side Airbag Negative
20	0.5 RD/GN	Front Passenger Side Airbag Negative
21	0.5 GY/BU	Front Passenger Side Airbag Positive
22	0.5 YE	Rear Seat Belt Retractor Positive
23	0.5 GN	Rear Seat Belt Retractor Negative
24	0.5 GN/WH	Right Front Collision Sensor Positive
25	0.5 GY/BU	Right Front Collision Sensor Negative
26	0.5 GY/YE	Left Front Collision Sensor Negative
27	0.5 GN/YE	Left Front Collision Sensor Positive
28	-	-
29	-	-
30	0.3 OG	Driver Seat Belt Switch
31	0.3 PK	PCAN-H
32	0.3 LG	PCAN-L

Backup Power Supply

**S03 Wiring Harness Connector Pin Definition**

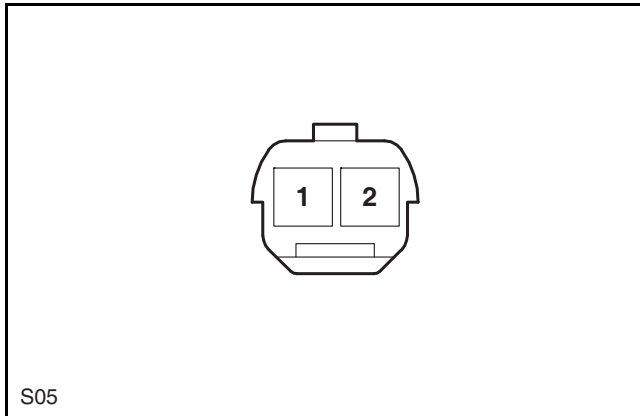
Pin No.	Wire Diameter/Color	Function
1	0.5 BK	Grounding
2	0.5 PK/BN	Power Supply

Front Passenger Seat Sensor

**S04 Wiring Harness Connector Pin Definition**

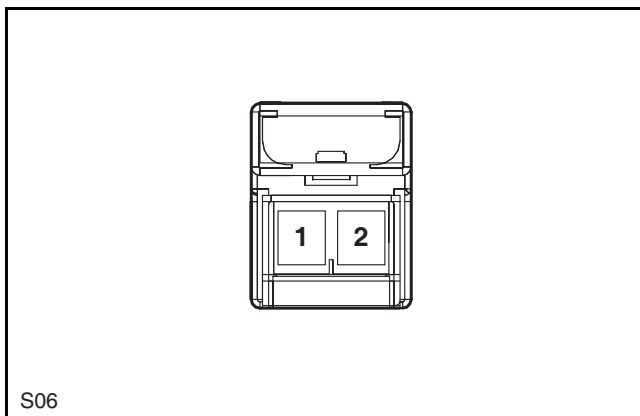
Pin No.	Wire Diameter/Color	Function
1	0.3 BK	Front Passenger Seat Sensor Grounding
2	0.3 RD/WH	Front Passenger Seat Sensor Power Supply

Front Passenger Seat Belt Switch

**S05 Wiring Harness Connector Pin Definition**

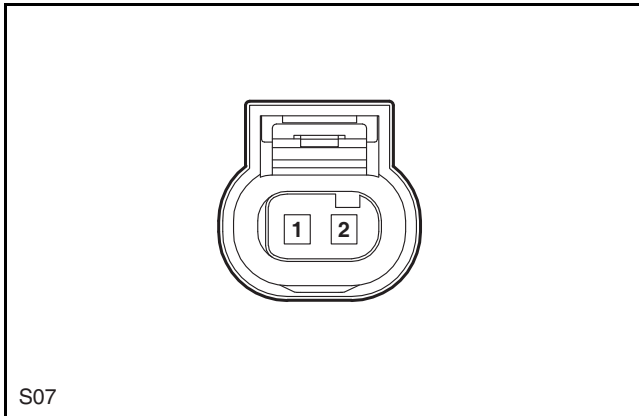
Pin No.	Wire Diameter/Color	Function
1	0.3 BK/WH	Front Passenger Seat Belt Switch Input
2	0.3 RD/WH	Front Passenger Seat Belt Switch Output

Front Passenger Side Airbag

**S06 Wiring Harness Connector Pin Definition**

Pin No.	Wire Diameter/Color	Function
1	0.5 GY/BU	Front Passenger Side Airbag Positive
2	0.5 RD/GN	Front Passenger Side Airbag Negative

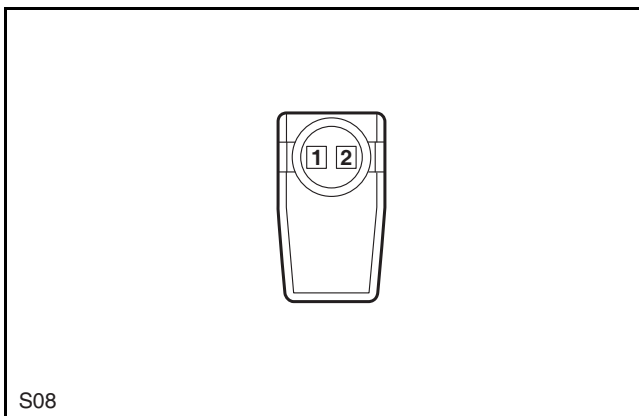
Front Passenger Side Collision Sensor



S07 Wiring Harness Connector Pin Definition

Pin No.	Wire Diameter/Color	Function
1	0.5 VT/YE	Front Passenger Side Collision Sensor Negative
2	0.5 YE/RD	Front Passenger Side Collision Sensor Positive

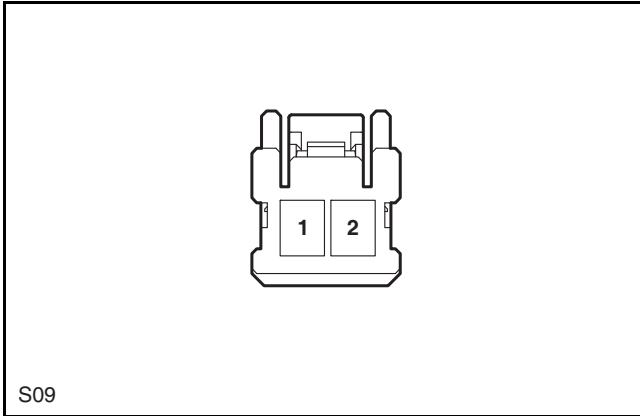
Front Passenger Seat Belt Retractor



S08 Wiring Harness Connector Pin Definition

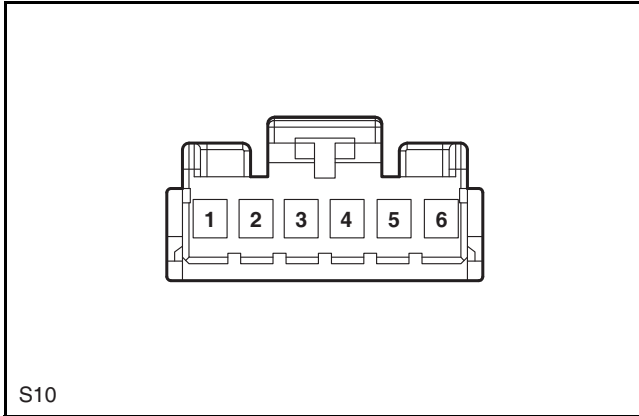
Pin No.	Wire Diameter/Color	Function
1	0.5 YE	Front Passenger Seat Belt Retractor Negative
2	0.5 VT	Front Passenger Seat Belt Retractor Positive

Right Front Door Contact Switch

**S09 Wiring Harness Connector Pin Definition**

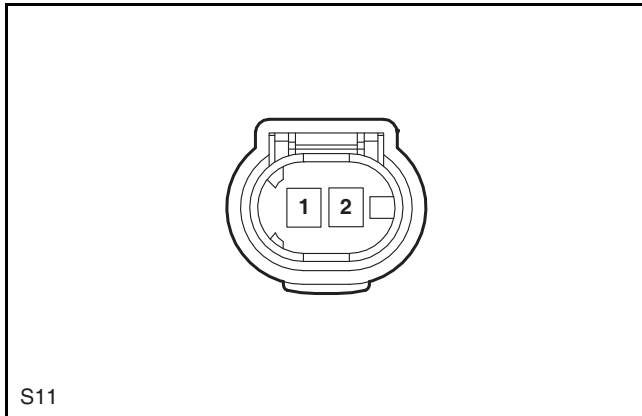
Pin No.	Wire Diameter/Color	Function
1	0.5 BK	Grounding
2	0.3 WH/RD	Right Front Door Status Signal

Radio Frequency Receiver

**S10 Wiring Harness Connector Pin Definition**

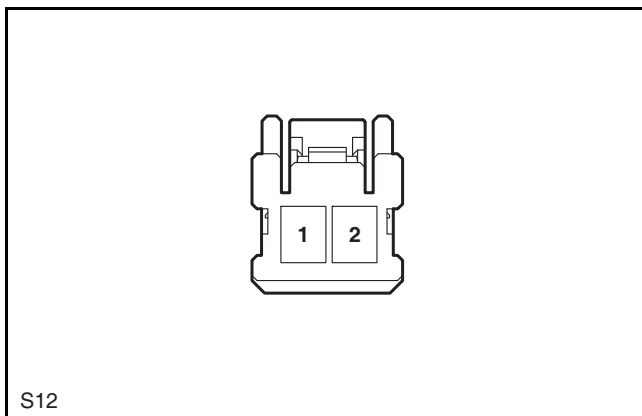
Pin No.	Wire Diameter/Color	Function
1	-	-
2 (LEV2/3 Model)	0.3 GY	LIN Line
3 (MT LEV1 Model)	0.3 RD/BU	TPMS Power Supply
4 (LEV2/3 Model)	0.3 BK	Grounding
4 (MT LEV1 Model)	0.1 BK	TPMS Grounding
5 (MT LEV1 Model)	0.5 GN/BU	Antenna -
6	0.5 RD	Power Supply

Right Rear Wheel Speed Sensor

**S11 Wiring Harness Connector Pin Definition**

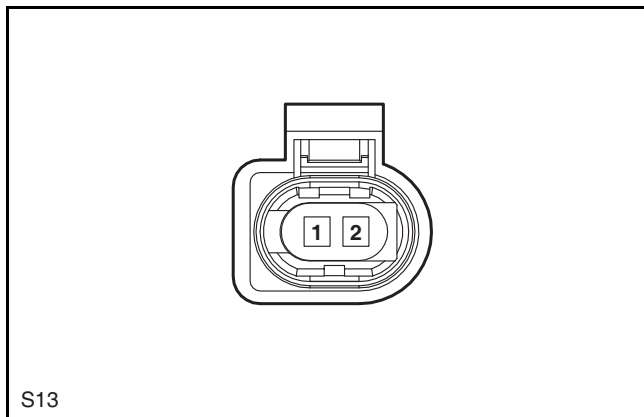
Pin No.	Wire Diameter/Color	Function
1	0.3 GN/BU	Right Rear Wheel Speed Sensor Power Supply
2	0.3 GN/YE	Right Rear Wheel Speed Sensor Signal

Right Rear Door Contact Switch

**S12 Wiring Harness Connector Pin Definition**

Pin No.	Wire Diameter/Color	Function
1	0.5 BK	Grounding
2	0.3 RD/BK	Right Rear Door Status Signal

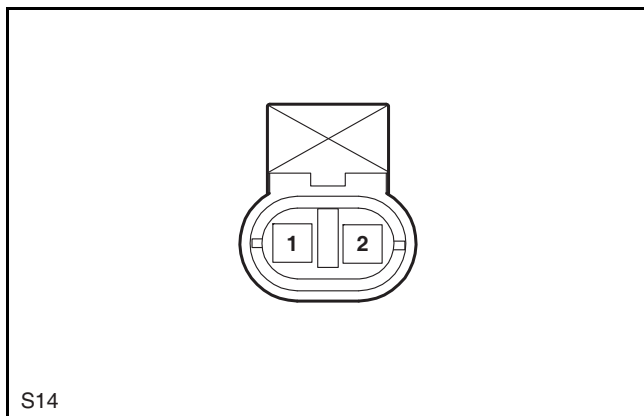
Right Side EPB Motor



S13 Wiring Harness Connector Pin Definition

Pin No.	Wire Diameter/Color	Function
1	2.5 GY	Right EPB Motor B
2	2.5 GY/BK	Right EPB Motor A

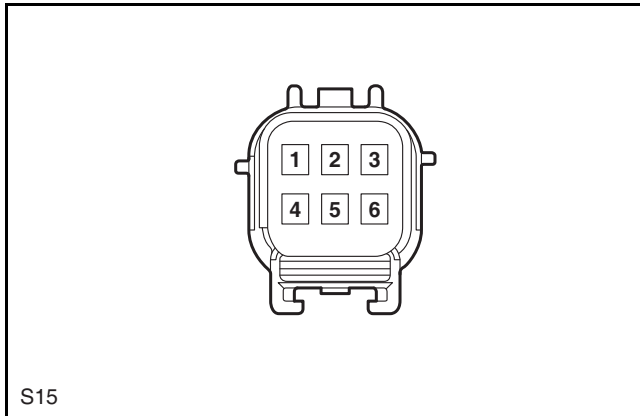
Luggage Compartment Lamp



S14 Wiring Harness Connector Pin Definition

Pin No.	Wire Diameter/Color	Function
1	0.5 RD/BK	Luggage Compartment Lamp Power Supply
2 (LEV2/3 Model)	0.5 BK	Grounding
2 (MT LEV1 Model)	0.5 GN	Control Grounding

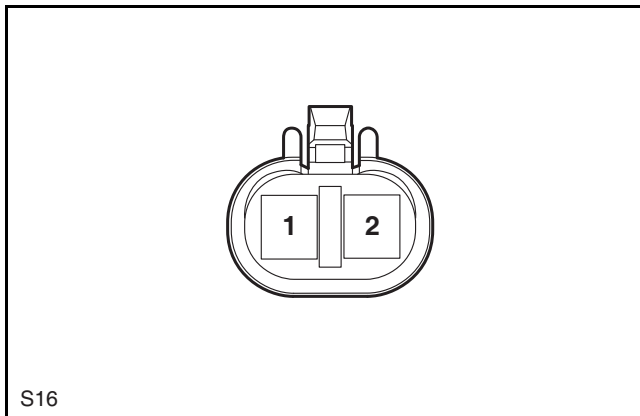
Right Tail Lamp - A



S15 Wiring Harness Connector Pin Definition

Pin No.	Wire Diameter/Color	Function
1	0.5 BN/BU	Brake Lamp Power Supply
2	0.5 RD/WH	Right Turn Lamp Power Supply
3	0.5 VT/WH	Position Lamp Power Supply
4	-	-
5	0.5 BK	Grounding
6	0.3 PK/BK	Turn Lamp Feedback

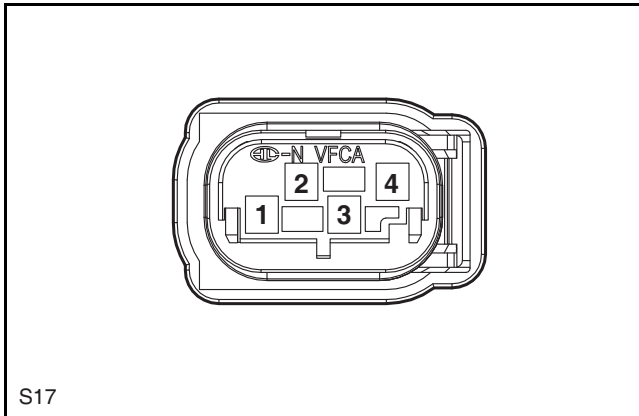
Right Rear Fog Lamp



S16 Wiring Harness Connector Pin Definition

Pin No.	Wire Diameter/Color	Function
1	0.5 BK	Grounding
2	0.5 GY/GN	Right Rear Fog Lamp Power Supply

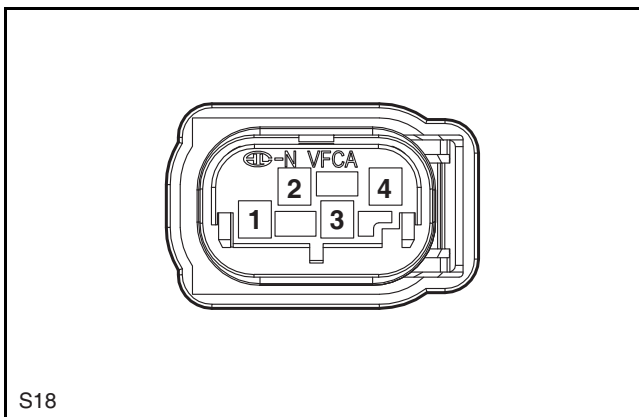
Reversing Radar Sensor 3



S17 Wiring Harness Connector Pin Definition

Pin No.	Wire Diameter/Color	Function
1	0.3 VT	LIN-2
2	0.3 RD/BU	Reversing Trigger Signal
3	-	-
4	0.3 BK	Grounding

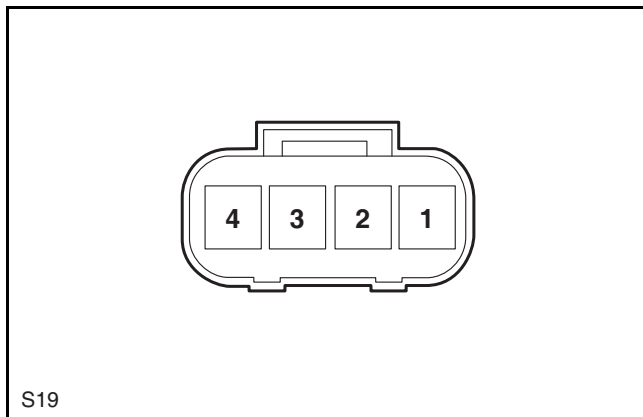
Reversing Radar Sensor 2



S18 Wiring Harness Connector Pin Definition

Pin No.	Wire Diameter/Color	Function
1	0.3 PK	LIN-1
2	0.3 RD/BU	Reversing Trigger Signal
3	0.3 VT	LIN-2
4	0.3 BK	Grounding

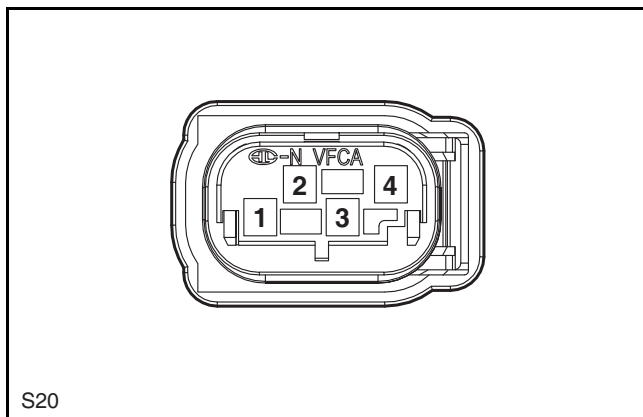
Inside Rear Antenna



S19 Wiring Harness Connector Pin Definition

Pin No.	Wire Diameter/Color	Function
1	0.3 BU/BK	Rear Low Frequency Antenna -
2	0.3 BN/BK	Rear Low Frequency Antenna +
3	-	-
4	-	-

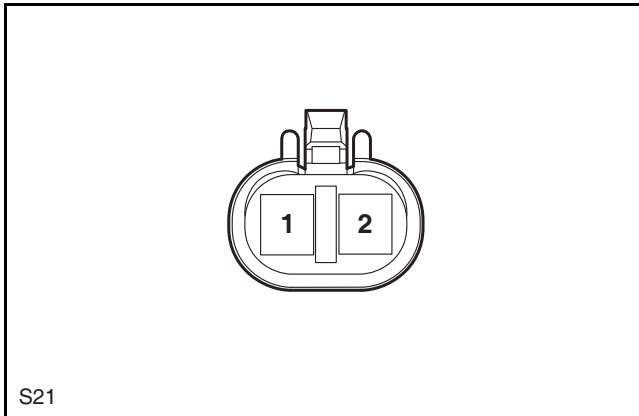
Reversing Radar Sensor 1



S20 Wiring Harness Connector Pin Definition

Pin No.	Wire Diameter/Color	Function
1	0.3 OG	LIN-1
2	0.3 RD/BU	Reversing Trigger Signal
3	0.3 PK	LIN-2
4	0.3 BK	Grounding

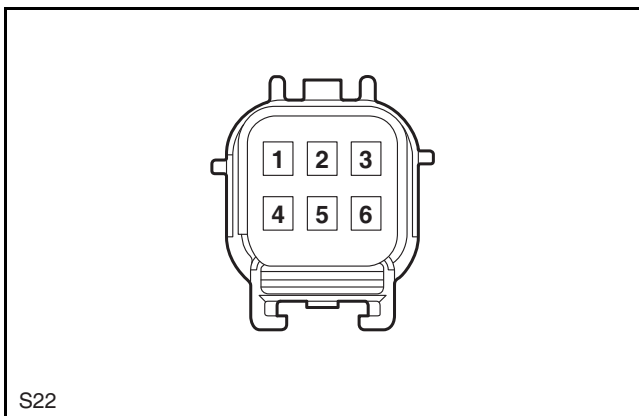
Left Rear Fog Lamp



S21 Wiring Harness Connector Pin Definition

Pin No.	Wire Diameter/Color	Function
1	0.5 BK	Grounding
2	0.5 RD	Left Rear Fog Lamp Power Supply

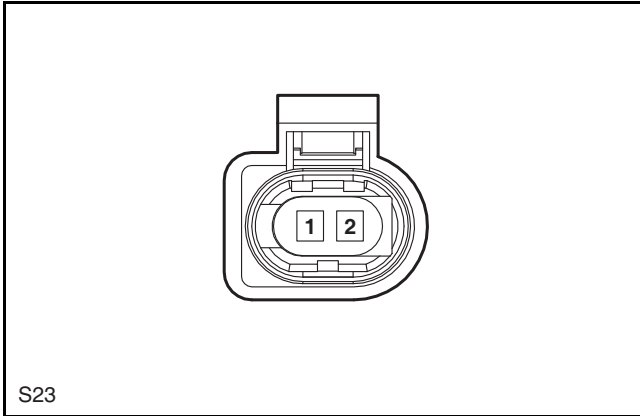
Left Tail Lamp - A



S22 Wiring Harness Connector Pin Definition

Pin No.	Wire Diameter/Color	Function
1	0.5 BN/BU	Brake Lamp Power Supply
2	0.5 RD/BU	Left Rear Turn Lamp Power Supply
3	0.5 RD/GN	Left Rear Position Lamp Power Supply
4	-	-
5	0.5 BK	Grounding
6	0.3 PK/BK	Turn Lamp Feedback

Left Side EPB Motor

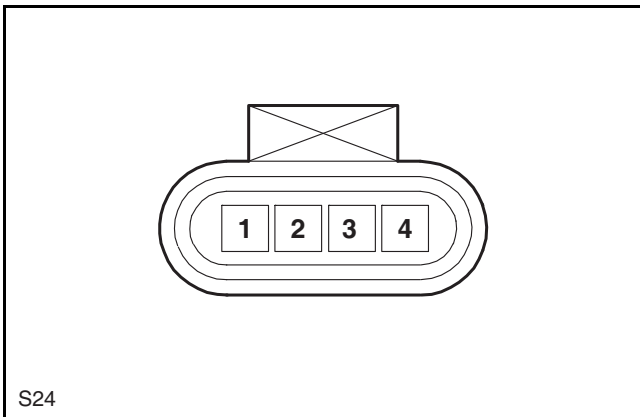


S23

S23 Wiring Harness Connector Pin Definition

Pin No.	Wire Diameter/Color	Function
1	2.5 BU/BK	Left EPB Motor B
2	2.5 VT	Left EPB Motor A

Fuel Pump

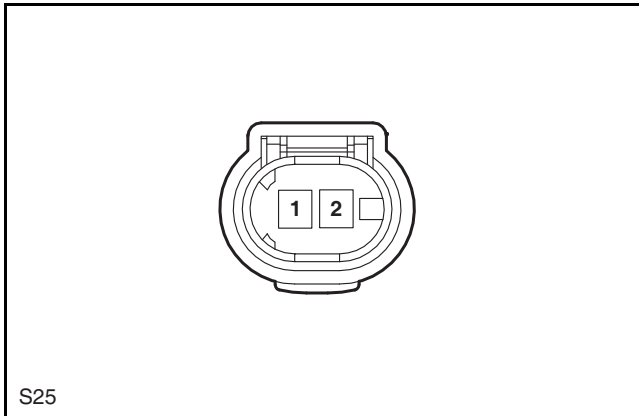


S24

S24 Wiring Harness Connector Pin Definition

Pin No.	Wire Diameter/Color	Function
1	0.3 BN/WH	Fuel Signal
2	0.3 YE/RD	Fuel Level Sensor Grounding
3	1.25 GN/BN	Fuel Pump Power Supply
4	1.25 BK	Fuel Pump Grounding

Left Rear Wheel Speed Sensor

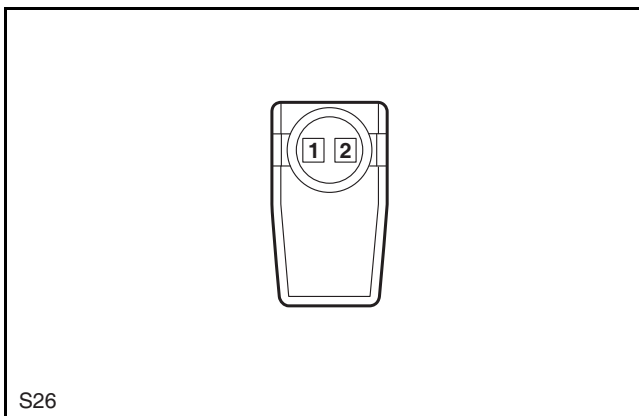


S25

S25 Wiring Harness Connector Pin Definition

Pin No.	Wire Diameter/Color	Function
1	0.3 WH/BU	Left Rear Wheel Speed Sensor Power Supply
2	0.3 OG/BN	Left Rear Wheel Speed Sensor Signal

Rear Seat Belt Retractor

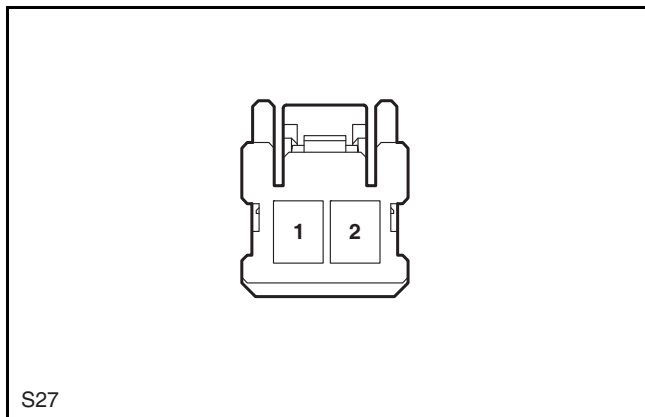


S26

S26 Wiring Harness Connector Pin Definition

Pin No.	Wire Diameter/Color	Function
1	0.5 YE	Rear Seat Belt Retractor Positive
2	0.5 GN	Rear Seat Belt Retractor Negative

Left Rear Door Contact Switch

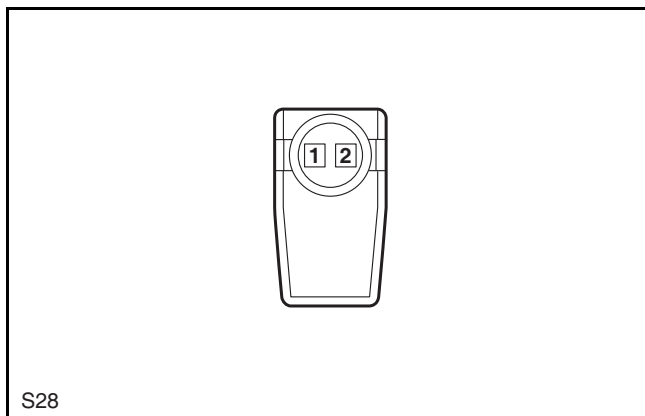


S27

S27 Wiring Harness Connector Pin Definition

Pin No.	Wire Diameter/Color	Function
1	0.5 BK	Grounding
2	0.3 VT	Left Rear Door Status Signal

Driver Seat Belt Retractor

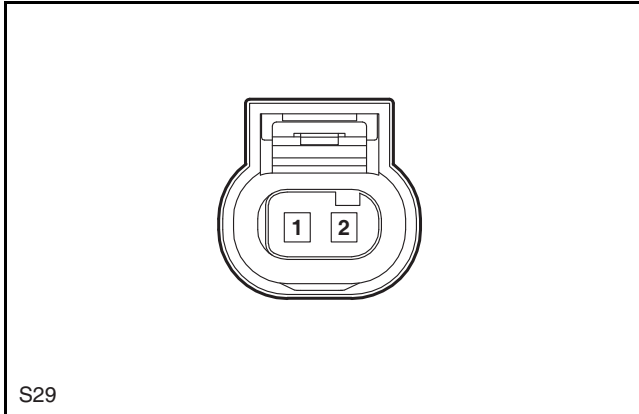


S28

S28 Wiring Harness Connector Pin Definition

Pin No.	Wire Diameter/Color	Function
1	0.5 GN	Driver Seat Belt Retractor Positive
2	0.5 BN	Driver Seat Belt Retractor Negative

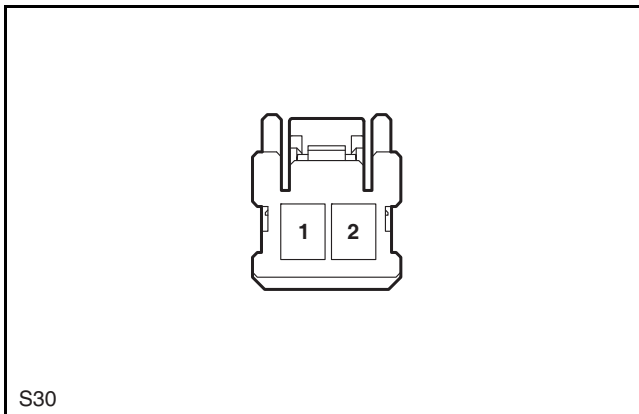
Driver Side Collision Sensor



S29 Wiring Harness Connector Pin Definition

Pin No.	Wire Diameter/Color	Function
1	0.5 VT/GN	Driver Side Collision Sensor Negative
2	0.5 BU/YE	Driver Side Collision Sensor Positive

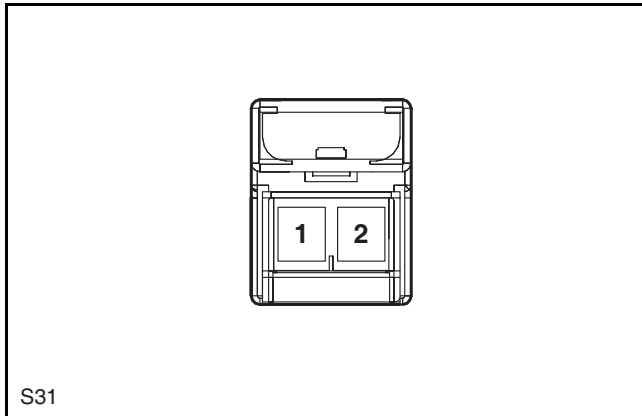
Left Front Door Contact Switch



S30 Wiring Harness Connector Pin Definition

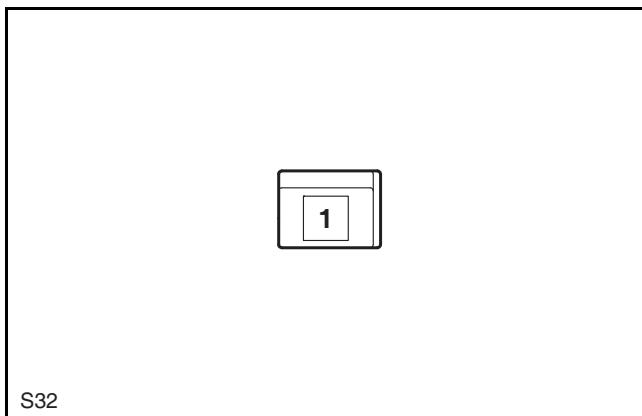
Pin No.	Wire Diameter/Color	Function
1	0.5 BK	Grounding
2	0.3 WH/BK	Left Front Door Status Signal

Driver Side Airbag

**S31 Wiring Harness Connector Pin Definition**

Pin No.	Wire Diameter/Color	Function
1	0.5 RD/WH	Driver Side Airbag Negative
2	0.5 GY	Driver Side Airbag Positive

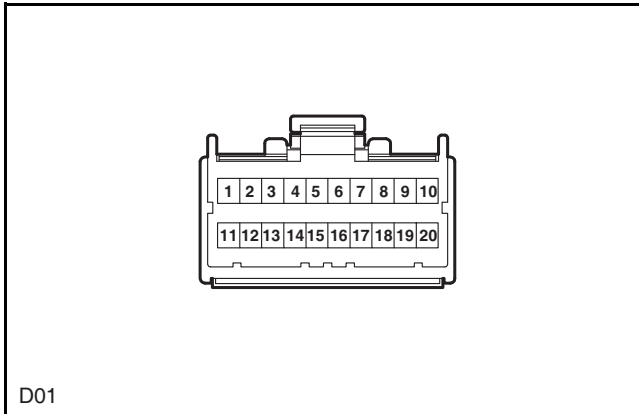
Parking Brake Switch

**S32 Wiring Harness Connector Pin Definition**

Pin No.	Wire Diameter/Color	Function
1	0.5 OG/BN	Parking Brake Switch

Door Wiring Harness Connector (D--)

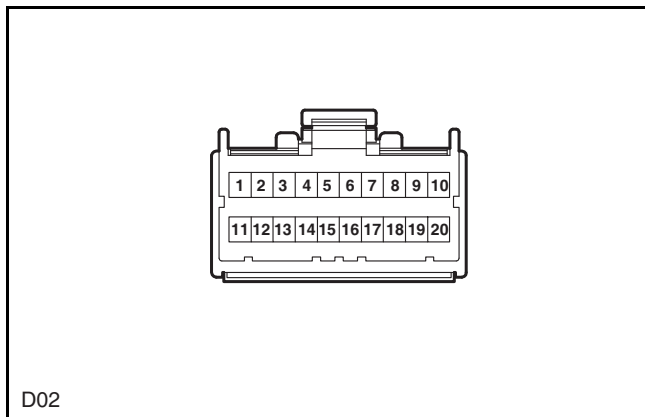
Left Front Door Window Switch (Anti-Pinch)



D01 Wiring Harness Connector Pin Definition

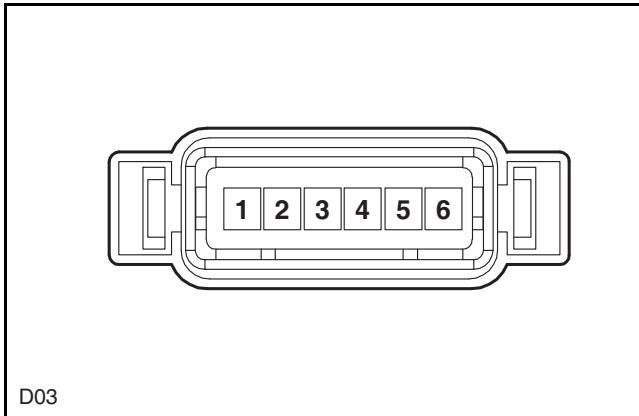
Pin No.	Wire Diameter/Color	Function
1	0.3 GY	Left Front Door Window Switch Power Supply
2	0.3 YE/BN	Window Lock Signal
3	0.3 GN	Central Lock Switch
4	0.3 GN/YE	Central Unlock Switch
5	-	-
6	0.3 WH/BK	Left Front Door Down Signal
7	0.3 WH/BU	Left Front Door Up Signal
8	0.5 RD/GN	Background Lamp
9	0.3 WH	Remote Up Signal
10	0.3 WH/GN	Remote Down Signal
11	0.3 BK	Grounding
12	0.3 WH	Left Front Door Automatic Common End
13	-	-
14	0.3 BN/WH	Right Rear Door Button Up Signal
15	0.3 BN/BU	Right Rear Door Button Down Signal
16	0.3 PK/BK	Left Rear Door Button Up Signal
17	0.3 PK/GN	Left Rear Door Button Down Signal
18	-	-
19	0.3 BU/BK	Right Front Door Button Up Signal
20	0.3 BU/WH	Right Front Door Button Down Signal

Left Front Door Window Switch-A (Non Anti-Pinch)

**D02 Wiring Harness Connector Pin Definition**

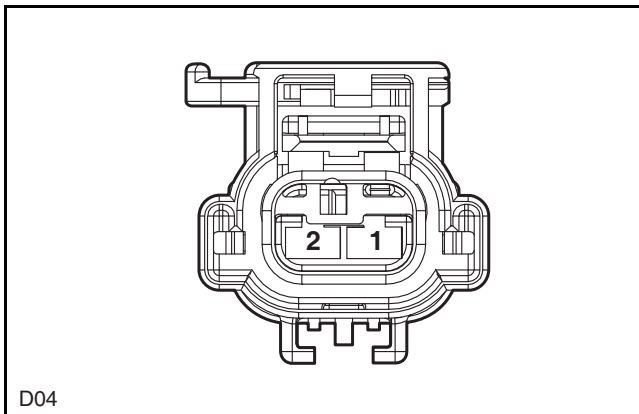
Pin No.	Wire Diameter/Color	Function
1	0.3 BU/BK	Right Front Door Button Up Signal
2	0.3 BU/WH	Right Front Door Button Down Signal
3	0.3 BN	Window Lock Signal
4	0.3 GN	Central Lock Switch
5	0.3 GN/YE	Central Unlock Switch
6	-	-
7	-	-
8	0.5 RD/GN	Background Lamp
9	0.3 WH	Remote Up Signal
10	0.3 WH/GN	Remote Down Signal
11	-	-
12	-	-
13	-	-
14	-	-
15	-	-
16	0.3 GY	Left Front Door Window Switch Power Supply
17	0.3 BN/WH	Right Rear Door Button Up Signal
18	0.3 BN/BU	Right Rear Door Button Down Signal
19	0.3 PK/BK	Left Rear Door Button Up Signal
20	0.3 PK/GN	Left Rear Door Button Down Signal

Left Front Door Window Motor (Anti-Pinch)

**D03 Wiring Harness Connector Pin Definition**

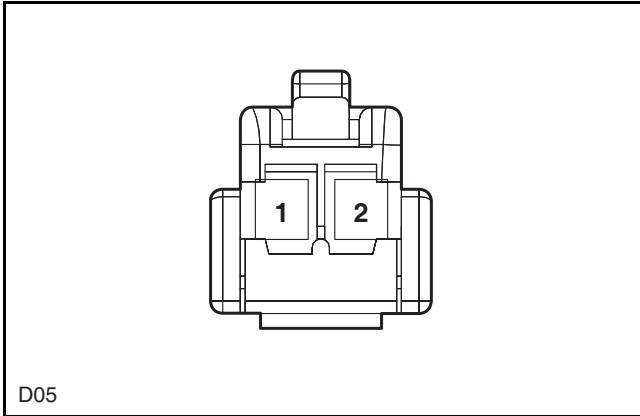
Pin No.	Wire Diameter/Color	Function
1	0.3 WH/BK	Left Front Door Down Signal
2	0.3 GY	LIN Line
3	2.0 BK	Grounding
4	2.0 YE/VT	Power Supply
5	0.3 WH	Left Front Door Automatic Common End
6	0.3 WH/BU	Left Front Door Up Signal

Left Front Door Window Motor (Non Anti-Pinch)

**D04 Wiring Harness Connector Pin Definition**

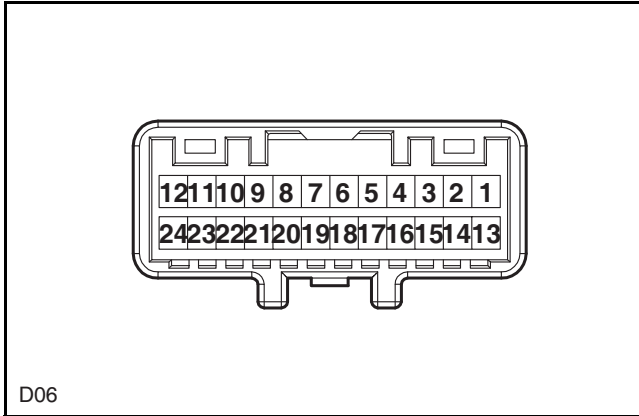
Pin No.	Wire Diameter/Color	Function
1	2.0 BU	Motor Up
2	2.0 BU/WH	Motor Down

Left Front Door High Pitched Horn

**D05 Wiring Harness Connector Pin Definition**

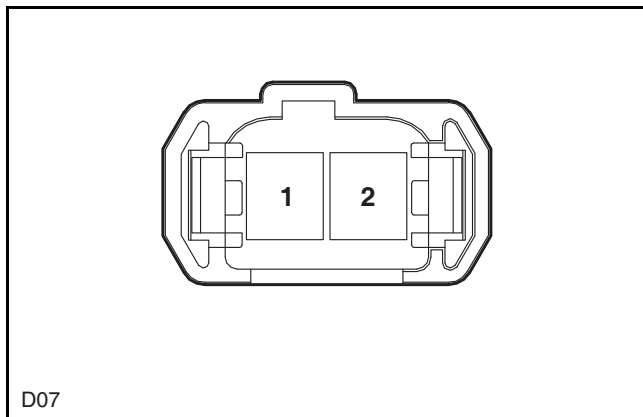
Pin No.	Wire Diameter/Color	Function
1	0.5 VT/YE	Left Front Tweeter Positive
2	0.5 GY/WH	Left Front Tweeter Negative

Left Front Door Outside Rearview Mirror

**D06 Wiring Harness Connector Pin Definition**

Pin No.	Wire Diameter/Color	Function
1	-	-
2	0.5 WH/BU	Rearview Mirror Folding
3	0.5 WH/YE	Rearview Mirror Reset
4	-	-
5	-	-
6	-	-
7	-	-
8	-	-
9	-	-
10	-	-
11	-	-
12	-	-
13	0.3 BK/WH	Left Outside Rearview Mirror Up-Down Adjustment Motor
14	0.3 YE/GN	Rearview Mirror Motor Common Terminal
15	0.3 BU	Left Outside Rearview Mirror Left-Right Adjustment Motor
16	0.5 BK	Grounding
17	0.5 RD/BU	Left Turn Lamp Power Supply
18	0.5 RD/YE	Left Outside Rearview Mirror Heater Power Supply
19	-	-
20	-	-
21	-	-
22	-	-
23	-	-
24	-	-

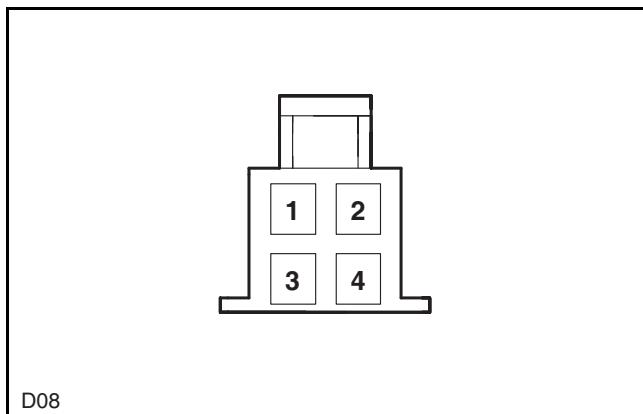
Left Front Door Low Pitched Horn



D07 Wiring Harness Connector Pin Definition

Pin No.	Wire Diameter/Color	Function
1	0.5 GY/WH	Left Front Woofer Negative
2	0.5 VT/YE	Left Front Woofer Positive

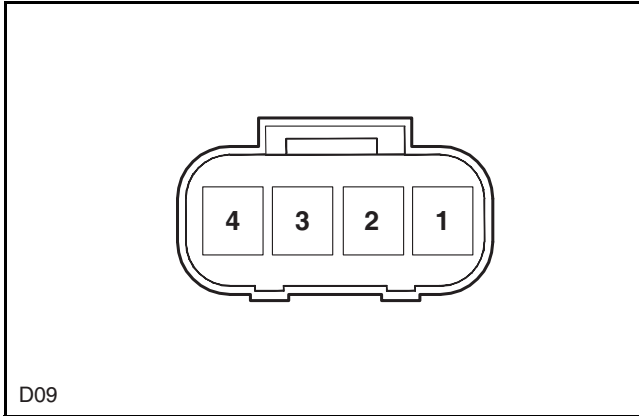
Left Front Door Window Switch-B (Non Anti-Pinch)



D08 Wiring Harness Connector Pin Definition

Pin No.	Wire Diameter/Color	Function
1	2.0 BU/WH	Motor Down
2	2.0 BK	Grounding
3	2.0 BU	Motor Up
4	2.0 WH/BK	Power Supply

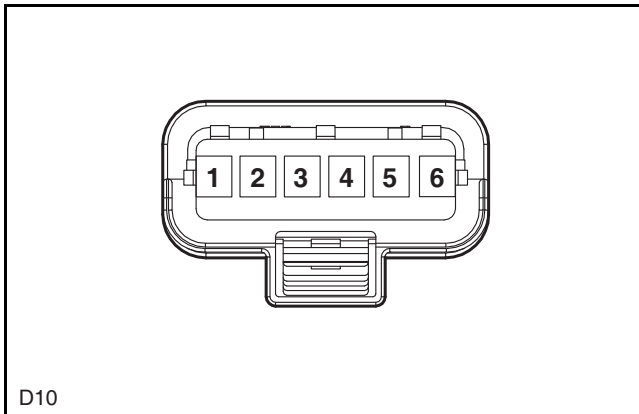
Left Front Door Handle Antenna



D09 Wiring Harness Connector Pin Definition

Pin No.	Wire Diameter/Color	Function
1	-	-
2	-	-
3	0.3 BK	Grounding
4	0.3 YE	Left Front Door Handle Button

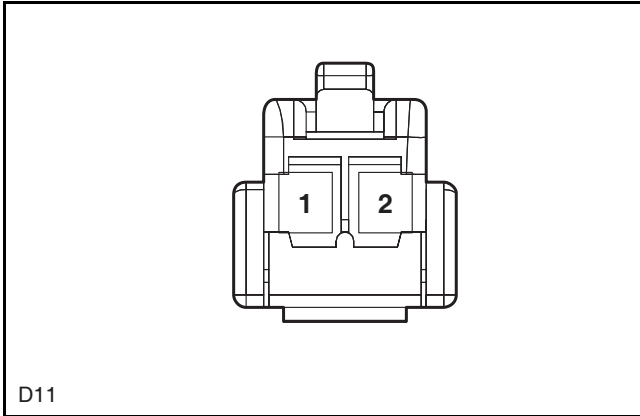
Left Front Door Lock Motor



D10 Wiring Harness Connector Pin Definition

Pin No.	Wire Diameter/Color	Function
1	0.5 YE/BU	Central Lock
2	0.5 YE/BN	Central Unlock
3	0.3 WH/RD	Lock Status Signal
4	0.3 BK	Grounding
5	-	-
6	-	-

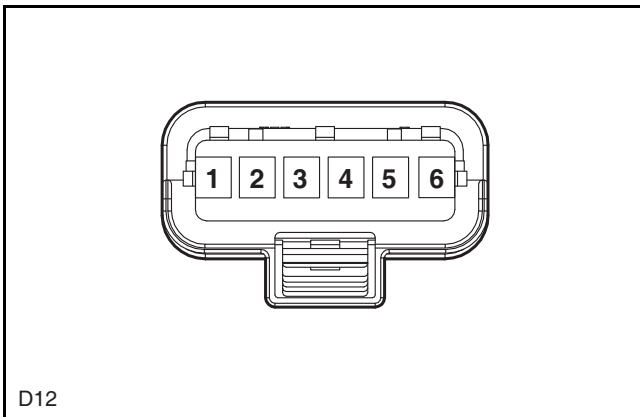
Right Front Door High Pitched Horn



D11 Wiring Harness Connector Pin Definition

Pin No.	Wire Diameter/Color	Function
1	0.5 VT/OG	Right Front Tweeter Positive
2	0.5 VT/GN	Right Front Tweeter Negative

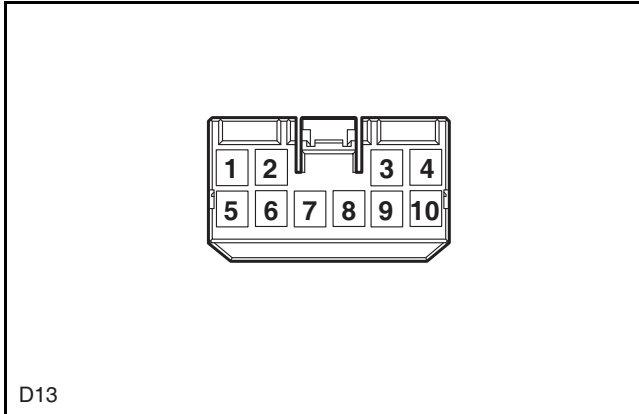
Right Front Door Lock Motor



D12 Wiring Harness Connector Pin Definition

Pin No.	Wire Diameter/Color	Function
1	0.5 YE/WH	Central Unlock
2	0.5 PK/YE	Central Lock
3	-	-
4	-	-
5	-	-
6	-	-

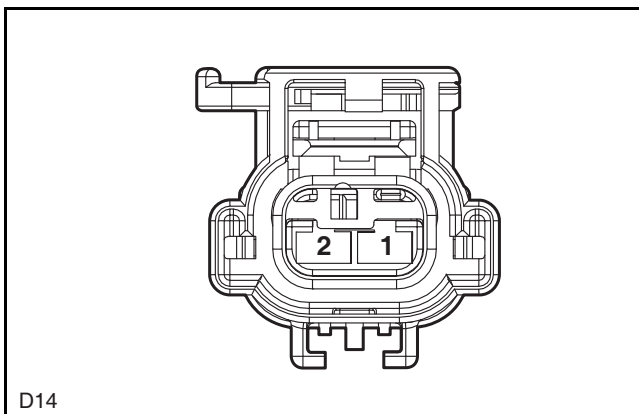
Right Front Door Window Switch



D13 Wiring Harness Connector Pin Definition

Pin No.	Wire Diameter/Color	Function
1	0.3 BU/WH	Right Front Door Button Down Signal
2	0.3 BU/BK	Right Front Door Button Up Signal
3	0.3 BN	Window Lock Signal
4	0.3 GY	Right Front Door Window Switch Power Supply
5	2.0 BU	Motor Up
6	-	-
7	2.0 BK	Grounding
8	0.5 RD/GN	Background Lamp
9	2.0 YE	Power Supply
10	2.0 BU/WH	Motor Down

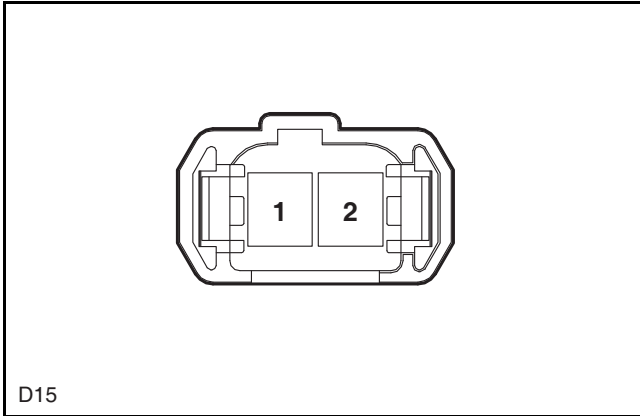
Right Front Door Window Motor



D14 Wiring Harness Connector Pin Definition

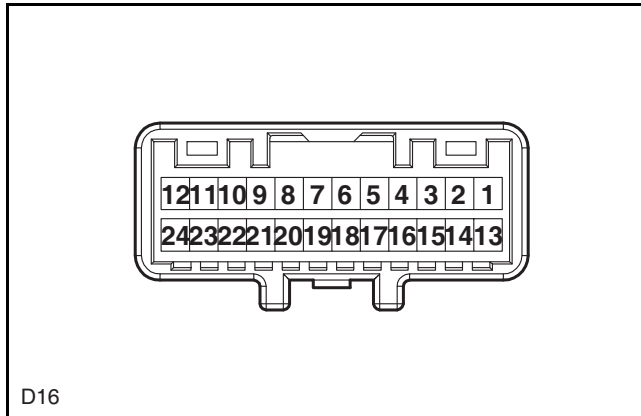
Pin No.	Wire Diameter/Color	Function
1	2.0 BU	Motor Up
2	2.0 BU/WH	Motor Down

Right Front Door Low Pitched Horn

**D15 Wiring Harness Connector Pin Definition**

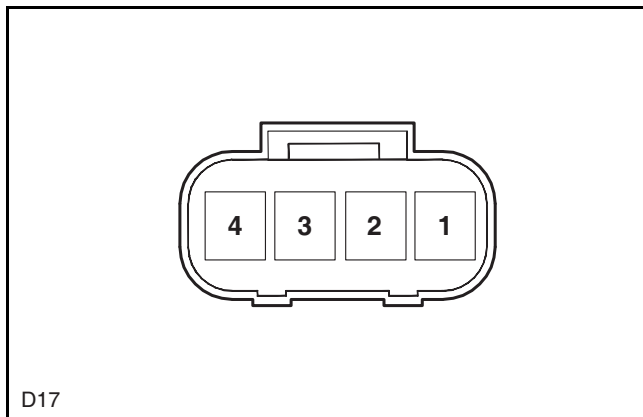
Pin No.	Wire Diameter/Color	Function
1	0.5 VT/GN	Right Front Woofer Negative
2	0.5 VT/OG	Right Front Woofer Positive

Right Front Door Outside Rearview Mirror

**D16 Wiring Harness Connector Pin Definition**

Pin No.	Wire Diameter/Color	Function
1	0.3 BK	Right Blind Spot Video
2	0.5 WH/BU	Rearview Mirror Folding
3	0.5 WH/YE	Rearview Mirror Reset
4	-	-
5	-	-
6	-	-
7	-	-
8	-	-
9	-	-
10	-	-
11	-	-
12	-	-
13	0.3 LG	Right Outside Rearview Mirror Up-Down Adjustment Motor
14	0.3 YE/RD	Rearview Mirror Motor Common Terminal
15	0.3 BU/BN	Right Outside Rearview Mirror Left-Right Adjustment Motor
16	0.5 BK	Grounding
17	0.5 RD/WH	Right Turn Lamp Power Supply
18	0.5 RD/YE	Right Outside Rearview Mirror Heater Power Supply
19	0.3 BK/YE	Rear View Camera Power Supply
20	0.3 GN/BU	Rear View Camera Grounding
21	0.3 WH	Right Blind Spot Video
22	-	-
23	-	-
24	-	-

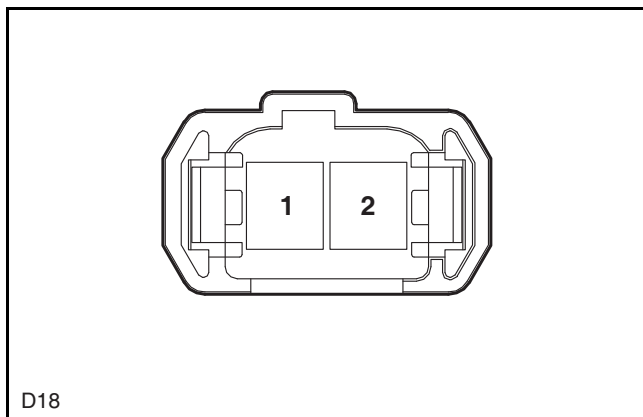
Left Side Antenna



D17 Wiring Harness Connector Pin Definition

Pin No.	Wire Diameter/Color	Function
1	0.3 OG/BN	Left Low Frequency Antenna -
2	0.3 BN/RD	Left Low Frequency Antenna +
3	-	-
4	-	-

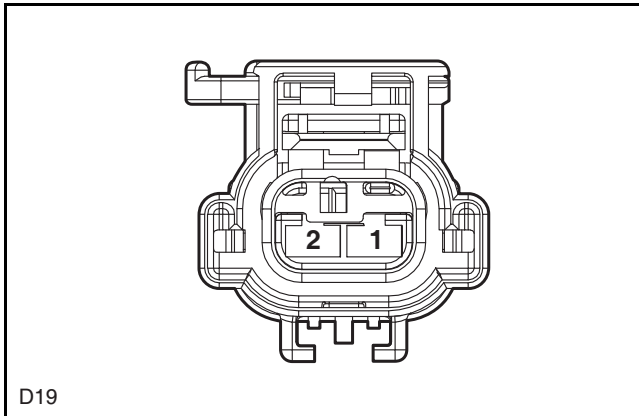
Left Rear Door Speaker



D18 Wiring Harness Connector Pin Definition

Pin No.	Wire Diameter/Color	Function
1	0.5 PK	Left Rear Speaker Negative
2	0.5 OG/GN	Left Rear Speaker Positive

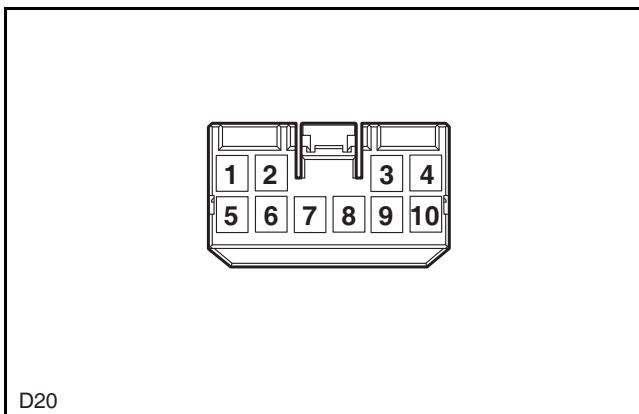
Left Rear Door Window Motor



D19 Wiring Harness Connector Pin Definition

Pin No.	Wire Diameter/Color	Function
1	2.0 BU	Motor Up
2	2.0 BU/WH	Motor Down

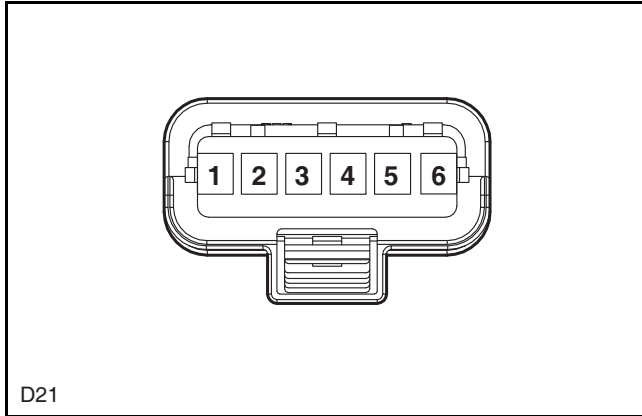
Left Rear Door Window Switch



D20 Wiring Harness Connector Pin Definition

Pin No.	Wire Diameter/Color	Function
1	0.3 PK/GN	Left Rear Door Button Down Signal
2	0.3 PK/BK	Left Rear Door Button Up Signal
3	0.3 BN	Window Lock Signal
4	0.3 GY	Left Rear Door Window Switch Power Supply
5	2.0 BU	Motor Up
6	-	-
7	2.0 BK	Grounding
8	0.5 RD/GN	Background Lamp
9	2.0 WH/BK	Power Supply
10	2.0 BU/WH	Motor Down

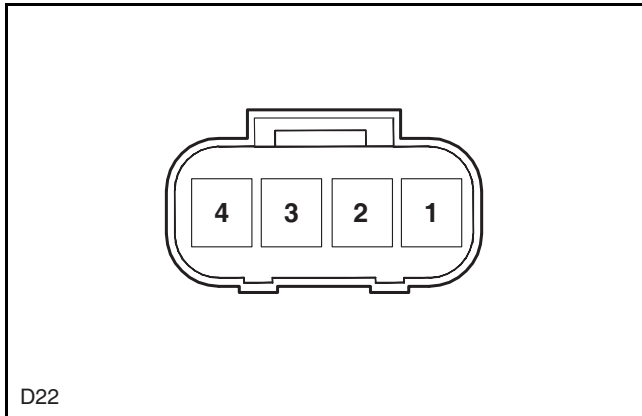
Left Rear Door Lock Motor



D21 Wiring Harness Connector Pin Definition

Pin No.	Wire Diameter/Color	Function
1	0.5 YE/BU	Central Lock
2	0.5 YE/WH	Central Unlock
3	-	-
4	-	-
5	-	-
6	-	-

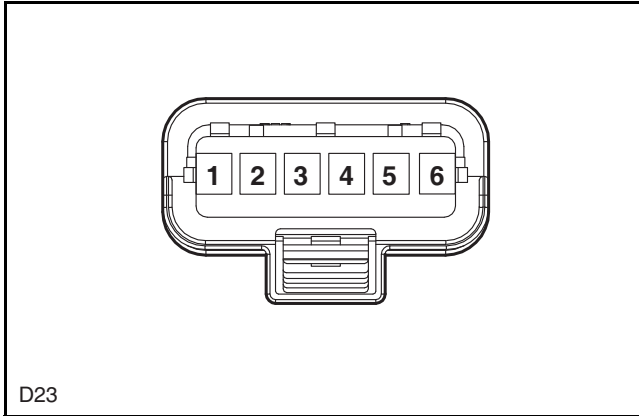
Right Side Antenna



D22 Wiring Harness Connector Pin Definition

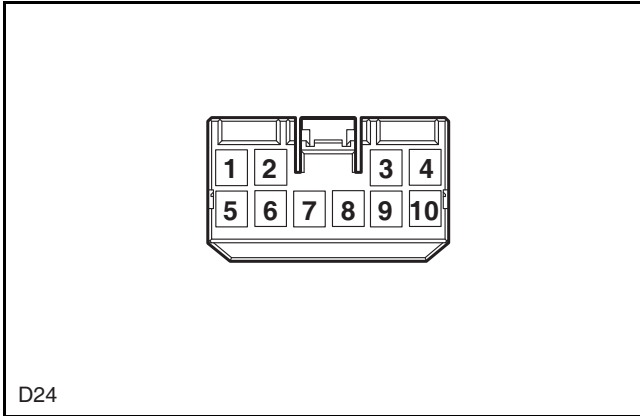
Pin No.	Wire Diameter/Color	Function
1	0.3 BK/YE	Right Low Frequency Antenna -
2	0.3 GN/RD	Right Low Frequency Antenna +
3	-	-
4	-	-

Right Rear Door Lock Motor

**D23 Wiring Harness Connector Pin Definition**

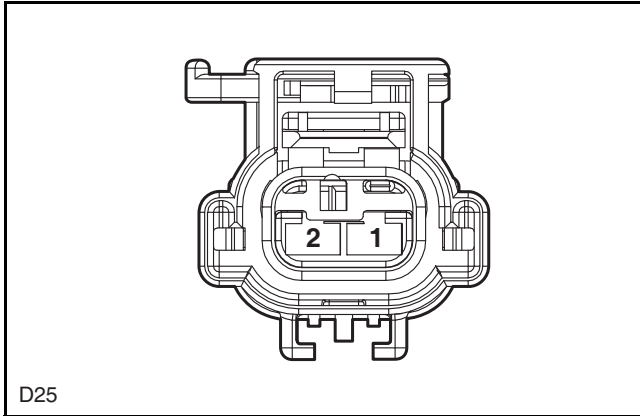
Pin No.	Wire Diameter/Color	Function
1	0.5 YE/WH	Central Unlock
2	0.5 YE/BU	Central Lock
3	-	-
4	-	-
5	-	-
6	-	-

Right Rear Door Window Switch

**D24 Wiring Harness Connector Pin Definition**

Pin No.	Wire Diameter/Color	Function
1	0.3 BN/BU	Right Rear Door Button Down Signal
2	0.3 BN/WH	Right Rear Door Button Up Signal
3	0.3 BN	Window Lock Signal
4	0.3 GY	Right Rear Door Window Switch Power Supply
5	2.0 BU	Motor Up
6	-	-
7	2.0 BK	Grounding
8	0.5 RD/GN	Background Lamp
9	2.0 YE	Power Supply
10	2.0 BU/WH	Motor Down

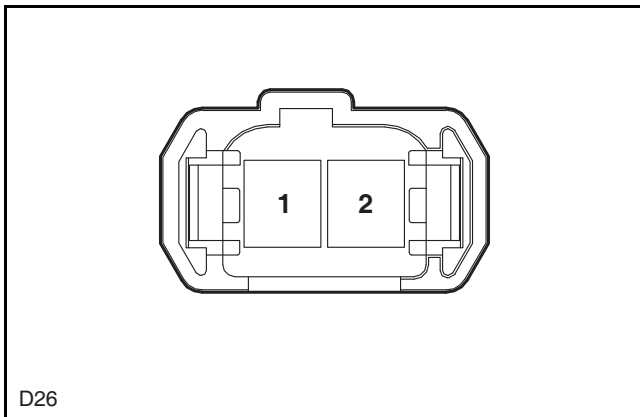
Right Rear Door Window Motor



D25 Wiring Harness Connector Pin Definition

Pin No.	Wire Diameter/Color	Function
1	2.0 BU	Motor Up
2	2.0 BU/WH	Motor Down

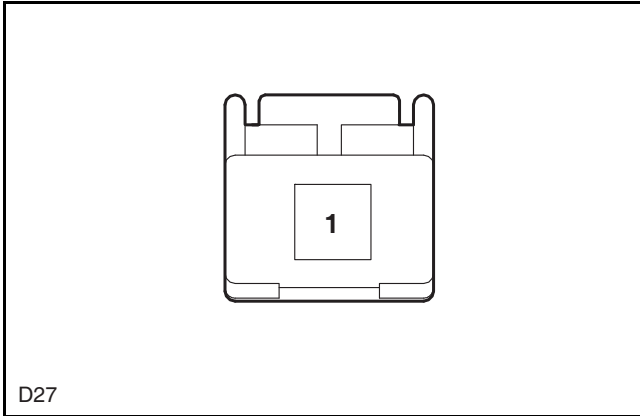
Right Rear Door Speaker



D26 Wiring Harness Connector Pin Definition

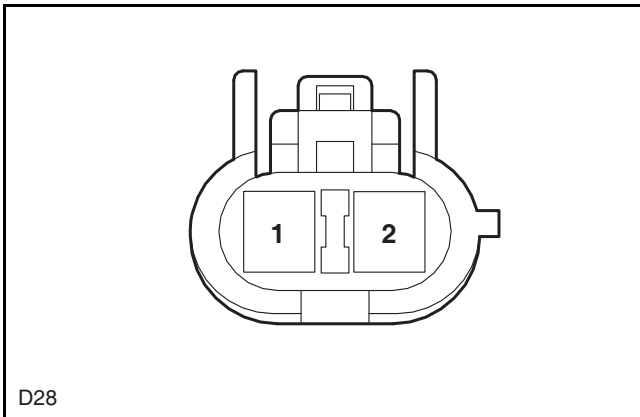
Pin No.	Wire Diameter/Color	Function
1	0.5 GN	Right Rear Speaker Negative
2	0.5 GN/VT	Right Rear Speaker Positive

Rear Defroster Power Supply

**D27 Wiring Harness Connector Pin Definition**

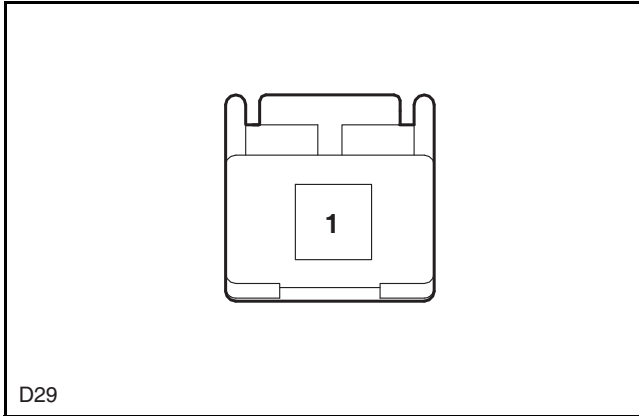
Pin No.	Wire Diameter/Color	Function
1	2.0 BU/OG	Rear Defroster Power Supply

High Mounted Brake Lamp

**D28 Wiring Harness Connector Pin Definition**

Pin No.	Wire Diameter/Color	Function
1	0.3 BK	Grounding
2	0.3 BN/BU	High Mounted Brake Lamp Power Supply

Rear Defroster Grounding

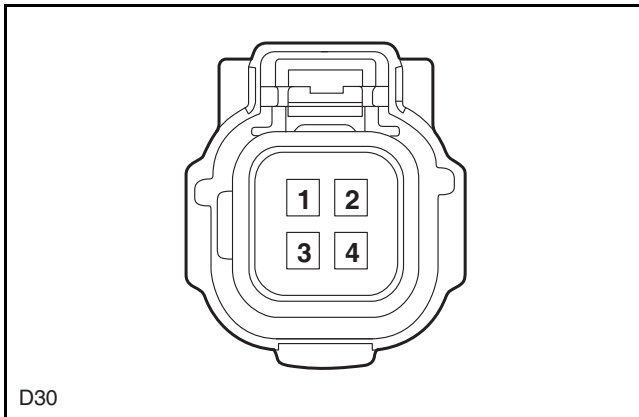


D29

D29 Wiring Harness Connector Pin Definition

Pin No.	Wire Diameter/Color	Function
1	2.0 BK	Rear Defroster Grounding

Left Tail Lamp - B

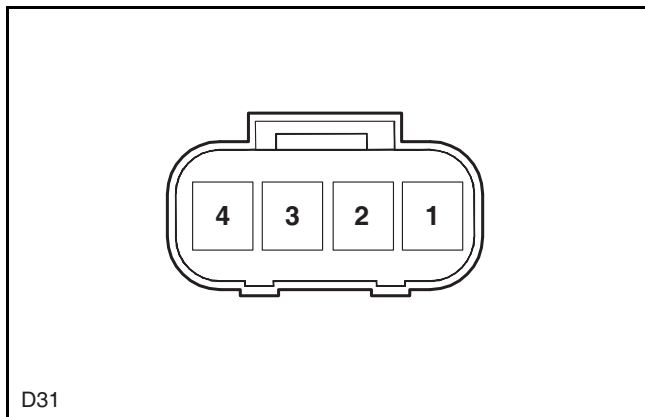


D30

D30 Wiring Harness Connector Pin Definition

Pin No.	Wire Diameter/Color	Function
1	0.3 BK	Grounding
2	-	-
3	0.3 RD/GN	Position Lamp Power Supply
4	0.3 BK/YE	Backup Lamp Power Supply

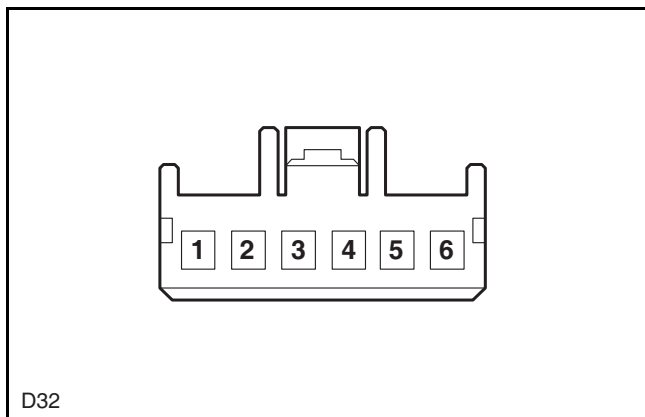
Rear View Camera



D31 Wiring Harness Connector Pin Definition

Pin No.	Wire Diameter/Color	Function
1	0.3 BK	Reversing Video Signal Grounding
2	0.3 WH	Reversing Video Signal
3	0.3 GN/BU	Rear View Camera Grounding
4	0.3 BK/YE	Rear View Camera Power Supply

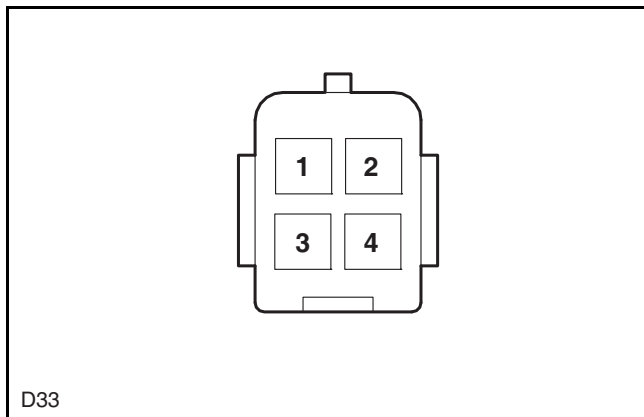
Luggage Compartment Lock Motor



D32 Wiring Harness Connector Pin Definition

Pin No.	Wire Diameter/Color	Function
1	-	-
2	-	-
3	0.5 BK	Grounding
4	0.3 RD/GN	Luggage Compartment Door Release Switch Signal
5	0.5 BK	Grounding
6	0.5 WH/VT	Luggage Compartment Door Release Output

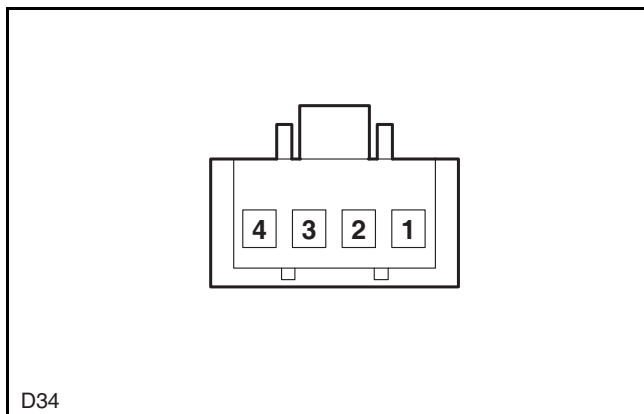
Rear Wiper Motor



D33 Wiring Harness Connector Pin Definition

Pin No.	Wire Diameter/Color	Function
1	-	-
2	1.25 YE/GN	Rear Wiper Operation Power Supply
3	0.5 BU	Rear Wiper Stop Signal
4	1.25 BK	Grounding

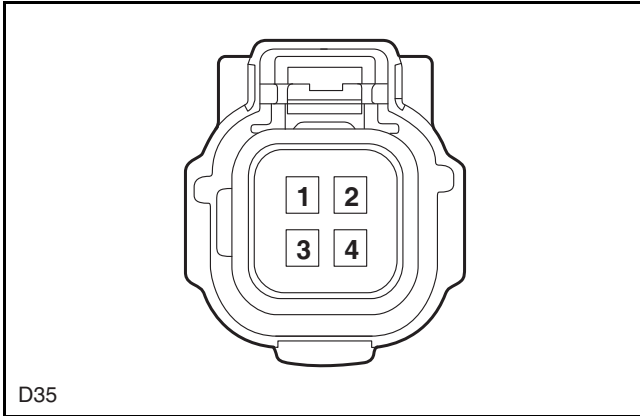
Left License Plate Lamp



D34 Wiring Harness Connector Pin Definition

Pin No.	Wire Diameter/Color	Function
1	0.3 RD/GN	Position Lamp Power Supply
2	0.3 YE/WH	Luggage Compartment Door Release Switch
3	-	-
4	0.3 BK	Grounding

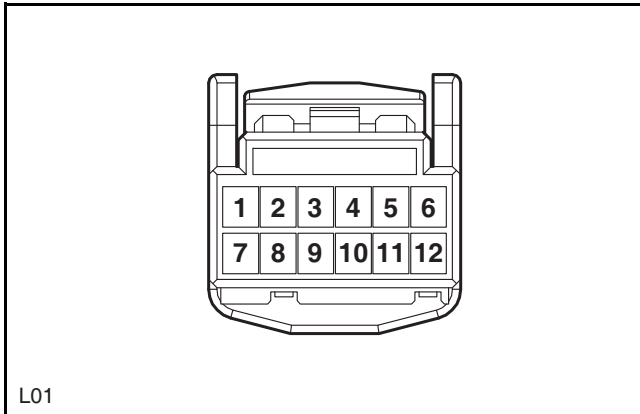
Right Tail Lamp - B

**D35 Wiring Harness Connector Pin Definition**

Pin No.	Wire Diameter/Color	Function
1	0.3 BK	Grounding
2	-	-
3	0.3 RD/GN	Position Lamp Power Supply
4	0.3 BK/YE	Backup Lamp Power Supply

Roof Wiring Harness Connector (L--)

Drive Recorder

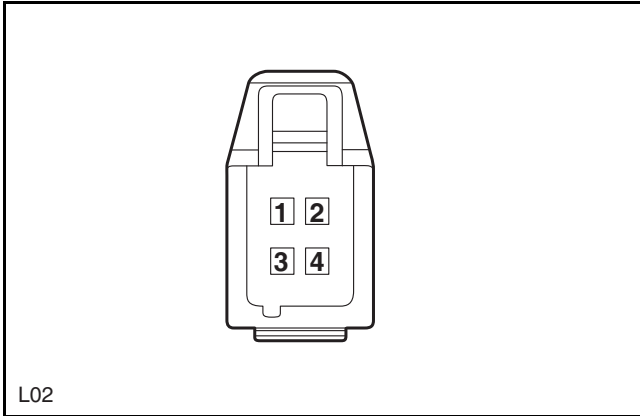


L01

L01 Wiring Harness Connector Pin Definition

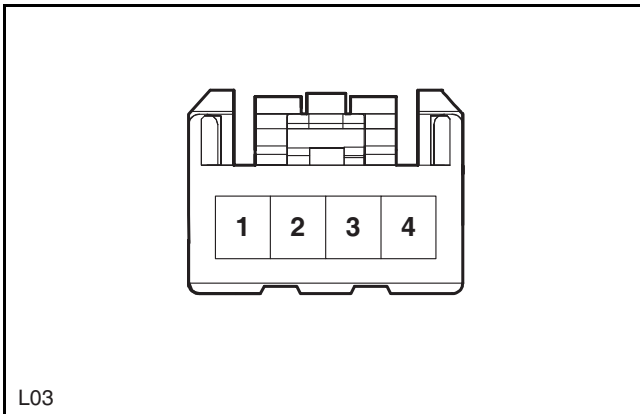
Pin No.	Wire Diameter/Color	Function
1	0.5 WH/BK	Constant Power Supply
2	0.5 PK/BN	ACC Power Supply
3	-	-
4	-	-
5	0.3 WH	BCAN-L
6	0.3 GN	BCAN-H
7	0.5 BK	Grounding
8	0.5 BK	Blind Spot Video Signal
9	-	-
10	-	-
11	0.3 BK	Drive Recorder Video Grounding
12	0.3 GN/WH	Drive Recorder Video Power Supply

Drive Recorder (Roof End)

**L02 Wiring Harness Connector Pin Definition**

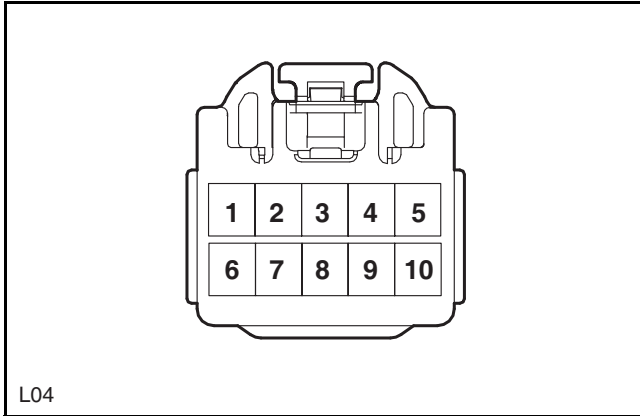
Pin No.	Wire Diameter/Color	Function
1	-	-
2	-	-
3	-	-
4	-	-

Rear Dome Lamp

**L03 Wiring Harness Connector Pin Definition**

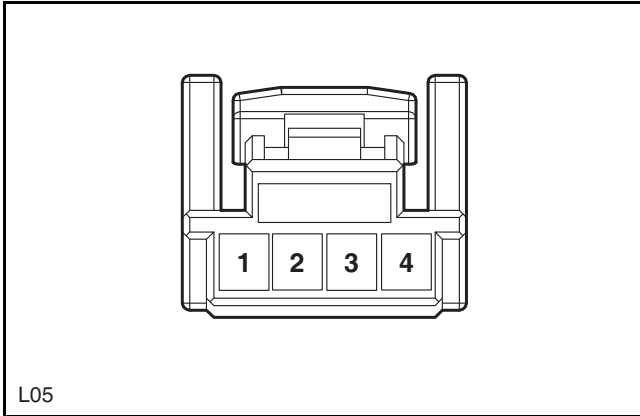
Pin No.	Wire Diameter/Color	Function
1	-	-
2	0.5 BK	Grounding
3	0.5 WH	Rear Dome Lamp DOOR Position
4	0.5 RD/BK	Energy Saving Input

Sunroof Controller

**L04 Wiring Harness Connector Pin Definition**

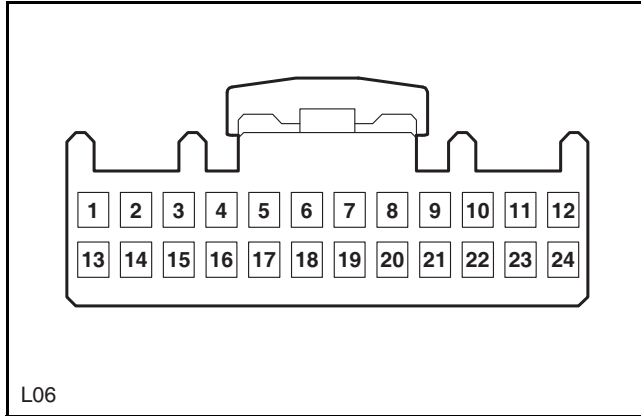
Pin No.	Wire Diameter/Color	Function
1	0.5 BN	Sunroof Switch Signal Grounding
2	0.5 OG/BN	IG2 Power Supply
3	0.3 GN/BU	LIN Line
4	-	-
5	1.25 WH/BK	Constant Power Supply
6	1.25 BK	Grounding
7	0.5 RD/GN	Sunroof Open
8	0.5 GN	Sunroof Closed
9	-	-
10	-	-

Microphone

**L05 Wiring Harness Connector Pin Definition**

Pin No.	Wire Diameter/Color	Function
1	0.5 VT	Microphone 2 Signal
2	0.5 BU	Microphone 1 Signal
3	0.5 BK	Microphone 2 Signal Grounding
4	0.5 RD	Microphone 1 Signal Grounding

Front Dome Lamp

**L06 Wiring Harness Connector Pin Definition**

Pin No.	Wire Diameter/Color	Function
1	0.5 RD/BK	Energy Saving Input
2	0.5 WH	Rear Dome Lamp DOOR Position
3	0.5 RD/YE	Background Lamp
4	-	-
5	-	-
6	-	-
7	-	-
8	0.5 RD/GN	Sunroof Open
9	0.5 GN	Sunroof Closed
10	-	-
11	0.5 BK	Grounding
12	0.5 BK	Grounding
13	0.5 PK/BN	Front Dome Lamp Power Supply
14	-	-
15	-	-
16	-	-
17	0.5 BN	Sunroof Switch Signal Grounding
18	-	-
19	-	-
20	-	-
21	0.5 WH/RD	Dome Lamp DOOR Control Signal
22	0.5 YE	IG1 Power Supply
23	0.5 BK	Grounding
24	-	-

Abbreviation List

Abbreviation	English Full Name	Chinese Name
A/C	Air Conditioning	空调
AAT	Ambient Air Temperature	大气温度
ABS	Anti-lock Brake System	防抱死制动系统
AM/FM	Amplitude Modulation/Frequency Modulation	调幅 / 调频
APP	Accelerator Pedal Position	加速踏板位置
ASR	Acceleration Slip Regulation	加速防滑控制系统
AT	Automatic Transmission	自动变速器
ATF	Automatic Transmission Fluid	自动变速器油
BCM	Body Control Module	车身控制模块
CAN	Controller Area Network	控制器局域网
CD	Compact Disc	CD
CHMSL	Center High Mounted Stop Lamp	中央高位制动灯
CKP	Crankshaft Position Sensor	曲轴位置传感器
CMP	Camshaft Position Sensor	凸轮轴位置传感器
CRK	Crank	曲轴
DDM	Driver Door Module	驾驶员门控模块
DLC	Data Link Connector	诊断接口
DOHC	Double Overhead Camshaft	双顶置凸轮轴
DTC	Diagnostic Trouble Code	故障代码
DVD	Digital Video Disk	DVD
EBD	Electric Brakeforce Distribution	电子制动力分配
ECM	Engine Control Module	发动机控制模块
ECT	Engine Coolant Temperature	发动机冷却液温度
EGR	Exhaust-Gas Recirculation	废气再循环
EOBD	European On Board Diagnostic	欧洲车载诊断系统
ESP	Electronic Stability Program	电子稳定程序
ETC	Electronic Throttle Control	电子节气门控制
EVAP	Evaporative Emission Control System	燃油蒸发排放系统
FWD	Front Wheel Drive	前轮驱动
GPS	Global Positioning System	全球定位系统
GVM	Gross Vehicle Mass	车辆总重量
HCU	Hydraulic Control Unit	液压控制单元
HFM	Hands Free Module	免提电话模块
HID	High Intensity Discharge	高强度放电

Abbreviation	English Full Name	Chinese Name
HO2S	Heated Oxygen Sensor	氧传感器
HVAC	Heating, Ventilation and Air Conditioning	暖风、通风和空调总成
I/P	Instrument Panel	仪表板
IAC	Idle Air Control Valve	怠速空气控制阀
IAT	Intake Air Temperature	进气温度
ICU	Integrated Control Unit	集成控制单元
IPC	Instrument Panel Cluster	组合仪表
ISO	International Standards Organization	国际标准化组织
ISS	Input Shaft Speed	输入轴转速传感器
KS	Knock Sensor	爆震传感器
LED	Light Emitting Diode	发光二极管
LF	Left Front	左前
LIN	Local Interconnect Network	局部互连网络
LR	Left Rear	左后
MAF	Mass Air Flow	质量空气流量
MAP	Manifold Absolute Pressure	进气歧管绝对压力
MIL	Malfunction Indicator Lamp	故障指示灯
MP3	MPEG Audio Layer 3	MP3
MT	Manual Transmission	手动变速器
MTC	Manual Temperature Control	手动温度控制
MY	Model Year	车型年款
OBD-II	On Board Diagnostic II	第二代车载诊断系统
OEM	Original Equipment Manufacturer	原始设备制造商
PAM	Parking Aid Module	停车辅助模块
PCV	Positive Crankcase Ventilation	曲轴箱强制通风
PDC	Power Distribution Center	配电中心
PDM	Passenger Door Module	乘客门控模块
PIN	Personal Identification Number	个人身份号码
PWM	Pulse Width Modulation	脉宽调制
RF	Right Front	右前
RR	Right Rear	右后
SAE	Society of Automotive Engineers	美国汽车工程师学会
SAS	Steering Angle Sensor	转向角度传感器
SCCM	Steering Column Control Module	转向管柱控制模块
SDM	Supplemental Diagnostic Module	安全气囊控制模块
SFI	Sequential Fuel Injection	顺序燃油喷射

Abbreviation	English Full Name	Chinese Name
SOHC	Single Overhead Camshaft	单顶置凸轮轴
SRI	Service Reminder Indicator	维修提示指示灯
SRS	Supplemental Restraint System	安全气囊系统
TCC	Torque Converter Clutch	变矩器离合器
TCM	Transmission Control Module	变速器控制模块
TIR	Total Indicator Reading	百分表总读数
TPMS	Tire Pressure Monitoring System	轮胎压力监控系统
TPS	Throttle Position Switch	节气门位置开关传感器
TRS	Transmission Range Sensor	变速器档位传感器
TSB	Technical Service Bulletin	技术服务公报
TWC	Three-way Catalyst	三元催化转换剂
VFD	Vacuum Fluorescent Display	真空荧光显示器
VIN	Vehicle Identification Number	车辆识别码
VSS	Vehicle Speed Sensor	车速传感器
WSS	Wheel Speed Sensor	轮速传感器

 **CAUTION:** For abbreviations not in this list, please refer to the CS35 PLUS Service Manual.

